



US00D491635S

(12) **United States Design Patent**
Lin

(10) **Patent No.:** **US D491,635 S**

(45) **Date of Patent:** **** Jun. 15, 2004**

(54) **FAUCET HOUSING**

D405,869 S * 2/1999 Lord D23/241
D485,331 S * 1/2004 Lin D23/241

(75) **Inventor:** **Shih-Hung Lin**, Taichung (TW)

* cited by examiner

(73) **Assignee:** **Globe Union Industrial Corp.**,
Taichung Export Processing Zone (TW)

Primary Examiner—Louis S. Zarfes

Assistant Examiner—Gregory Andoll

(**) **Term:** **14 Years**

(74) *Attorney, Agent, or Firm*—Leong C. Lei

(21) **Appl. No.:** **29/183,709**

(57) **CLAIM**

(22) **Filed:** **Jun. 17, 2003**

The ornamental design for a faucet housing, as shown and described.

(51) **LOC (7) Cl.** **23-01**

DESCRIPTION

(52) **U.S. Cl.** **D23/249**

FIG. 1 is perspective view of a faucet housing showing my new design;

(58) **Field of Search** D23/238–257;

D8/350–353; 4/675–678; 137/801

FIG. 2 is a front side elevation view thereof;

FIG. 3 is a rear side elevation view thereof;

FIG. 4 is a left side elevation view thereof;

FIG. 5 is a right side elevation view thereof;

FIG. 6 is a top plan view thereof; and,

FIG. 7 is a bottom plan view thereof.

(56) **References Cited**

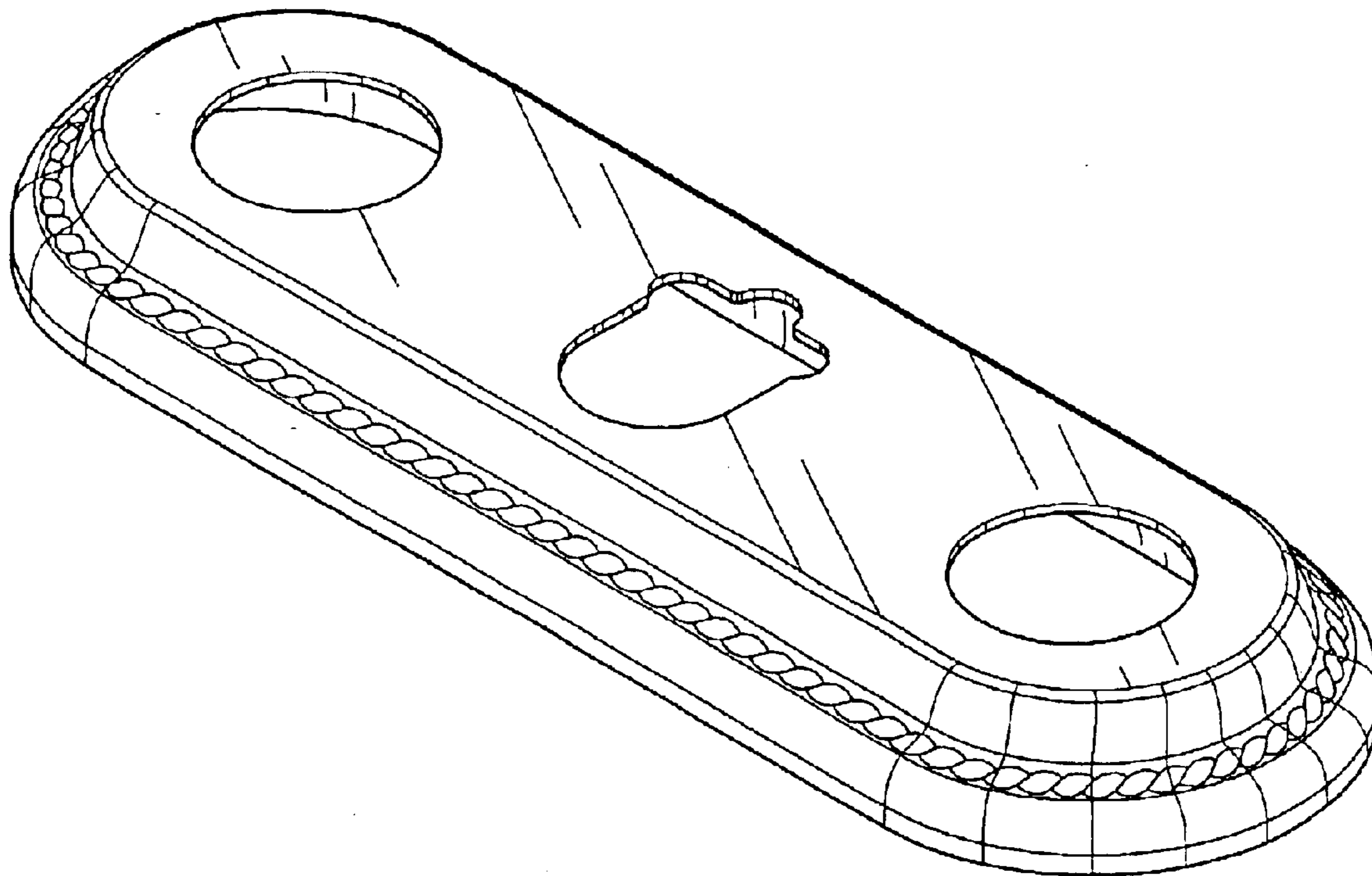
U.S. PATENT DOCUMENTS

D247,844 S * 5/1978 Palm, Jr. D8/352

D383,194 S * 9/1997 Doughty et al. D23/249

D393,692 S * 4/1998 Ko D23/238

1 Claim, 4 Drawing Sheets



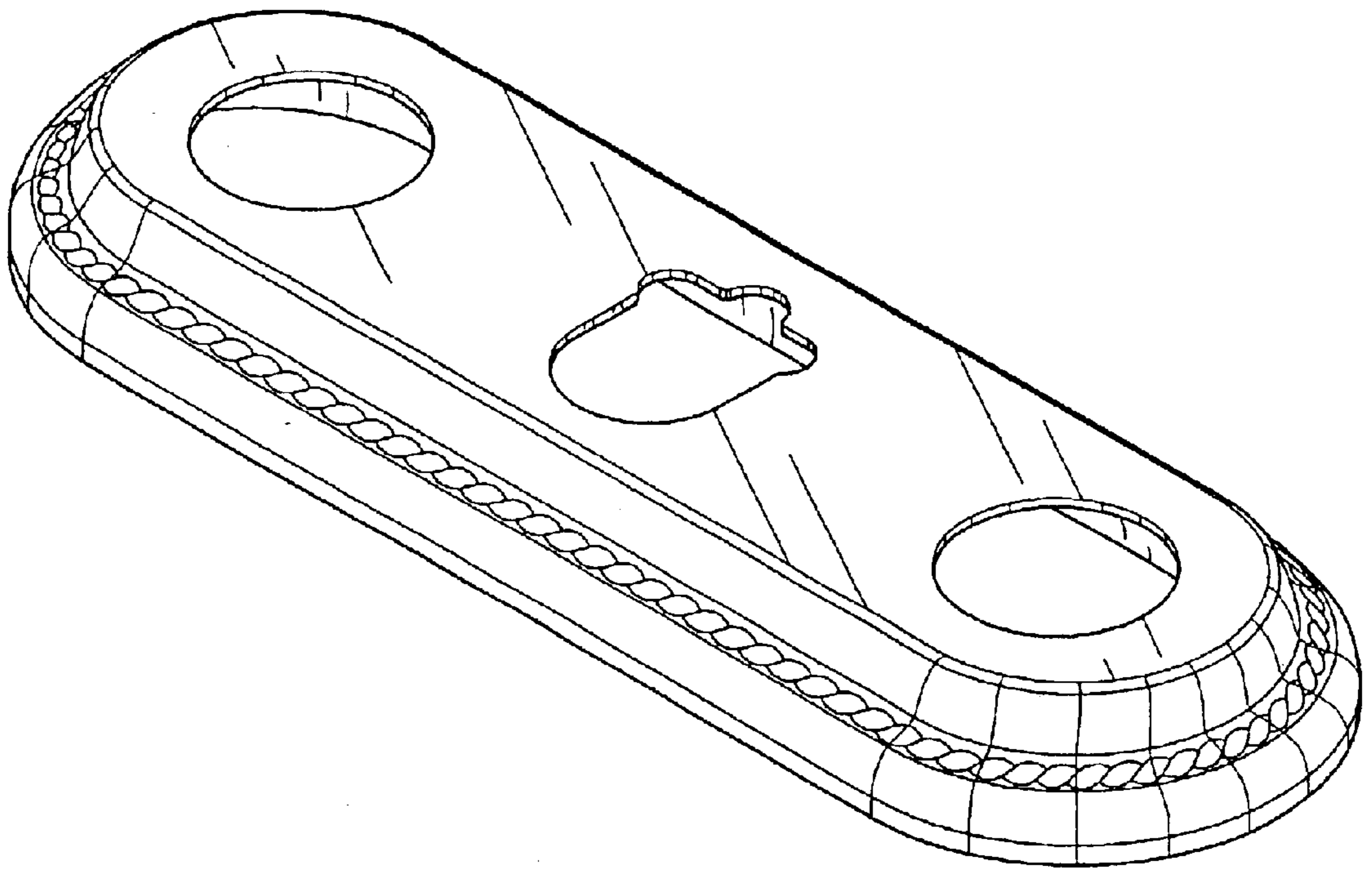


FIG. 1

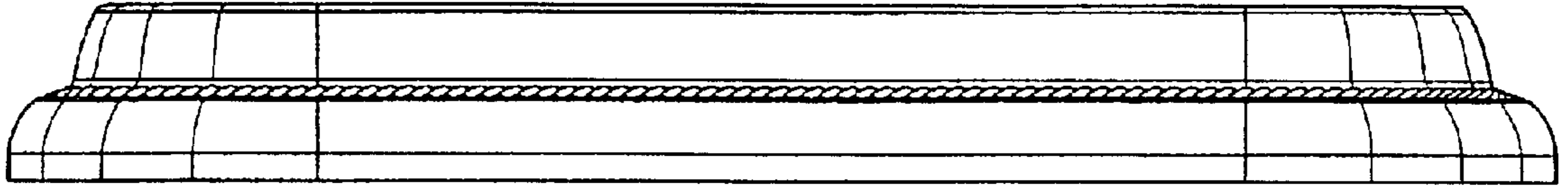


FIG. 2

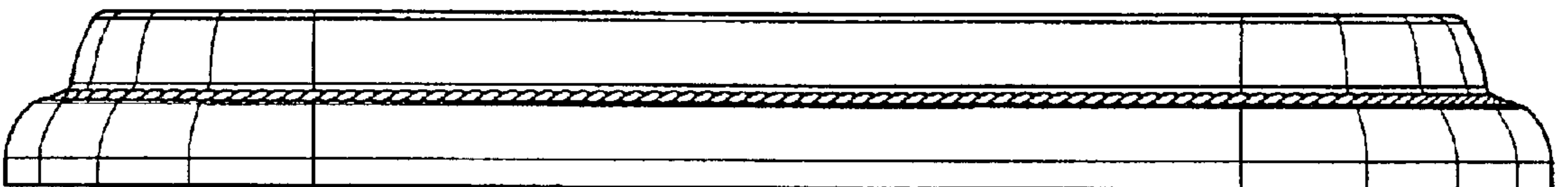


FIG. 3

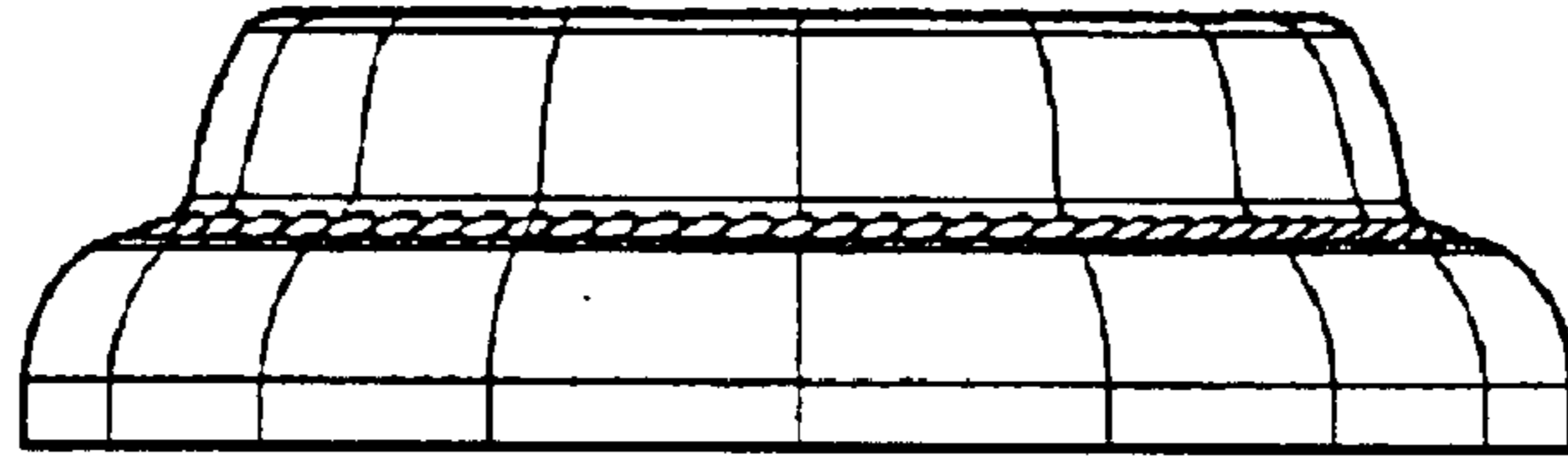


FIG. 4

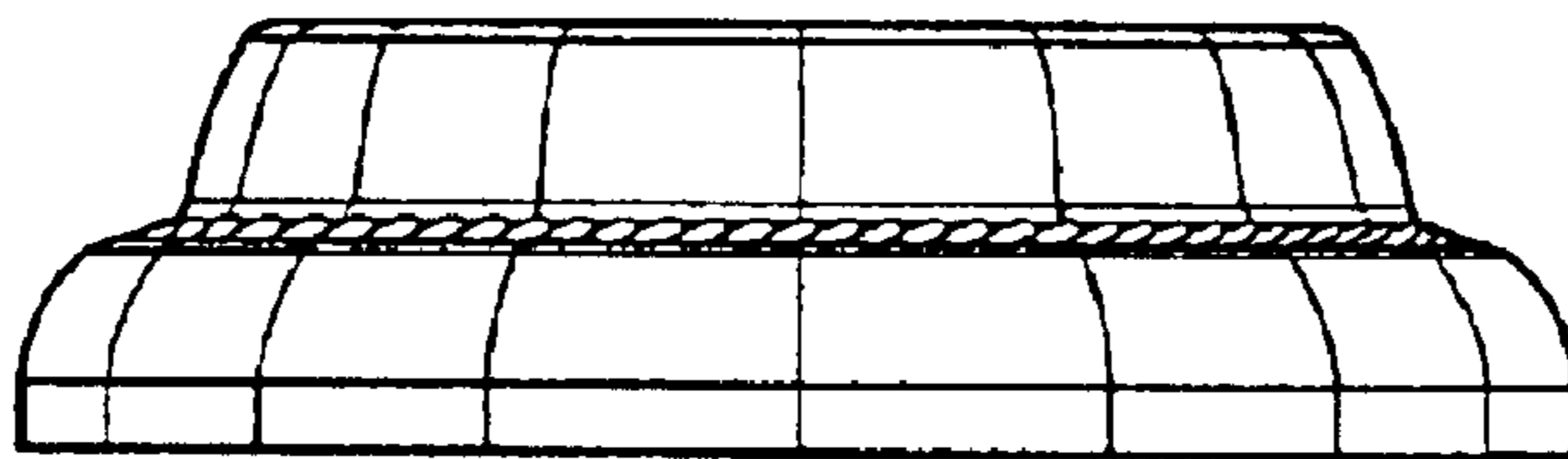


FIG. 5

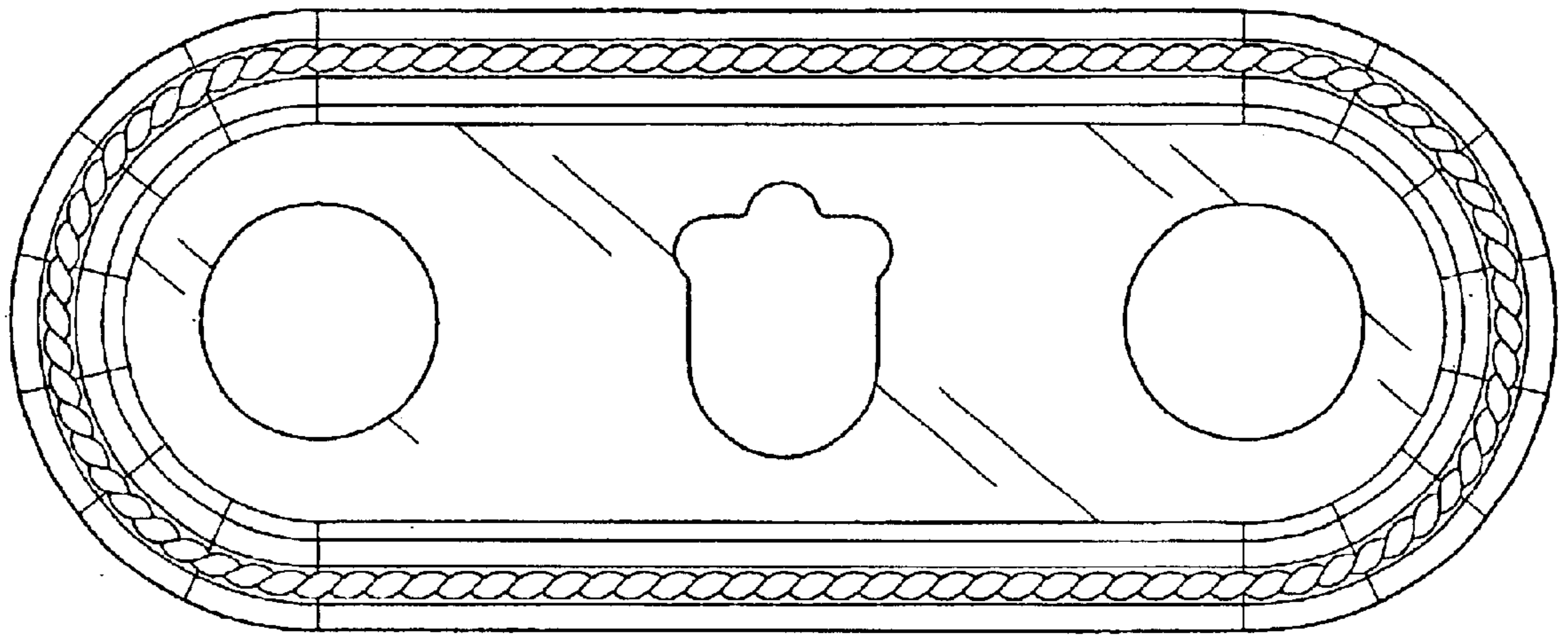


FIG. 6

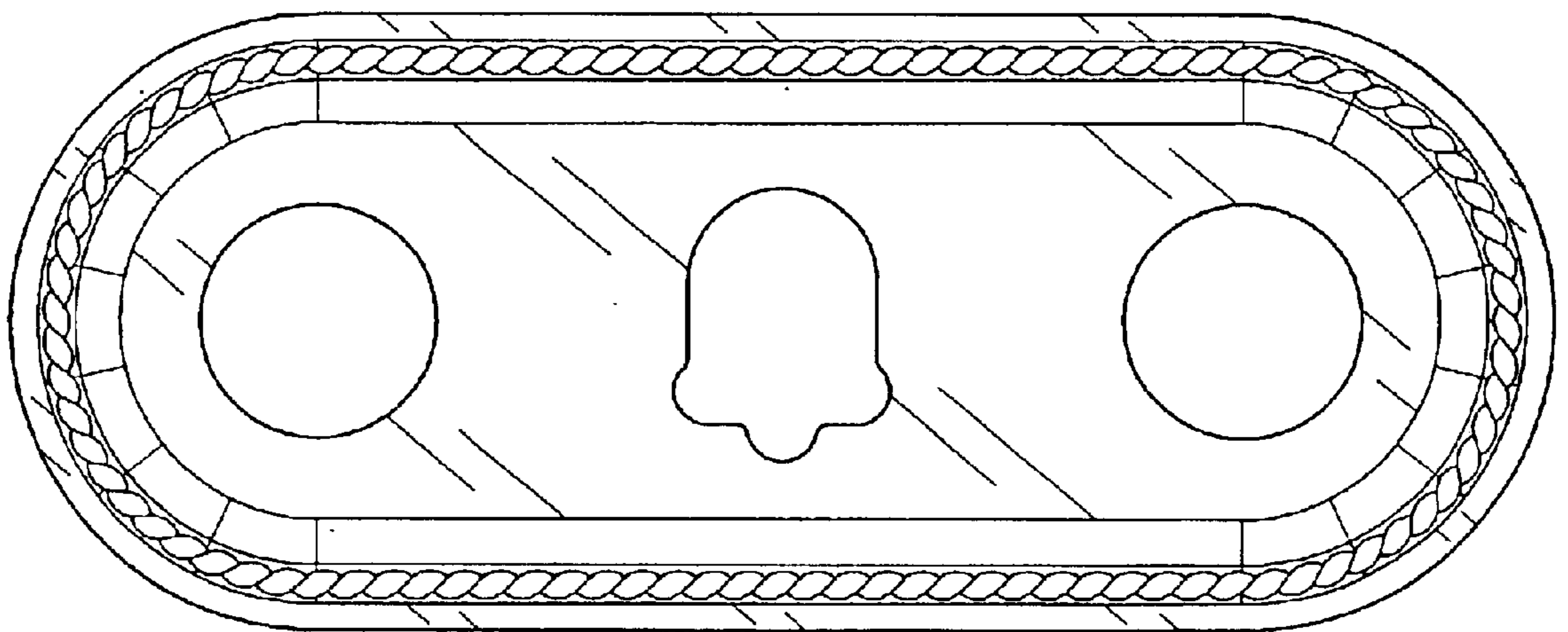


FIG. 7