



US00D491633S

(12) **United States Design Patent**
Ouyoung

(10) **Patent No.:** **US D491,633 S**

(45) **Date of Patent:** **** Jun. 15, 2004**

(54) **FAUCET SPOUT**

(75) **Inventor:** **Scott Ouyoung**, Taichung Export Processing Zone (TW)

(73) **Assignee:** **Globe Union Industrial Corp.**, Taichung Export Processing Zone (TW)

(**) **Term:** **14 Years**

(21) **Appl. No.:** **29/183,949**

(22) **Filed:** **Jun. 20, 2003**

(51) **LOC (7) Cl.** **23-01**

(52) **U.S. Cl.** **D23/238; D23/255**

(58) **Field of Search** **D23/238-257;**
4/675-678; 137/801

(56) **References Cited**

U.S. PATENT DOCUMENTS

D209,380 S	*	11/1967	DuBois	D23/256
D211,343 S	*	6/1968	Jones	D23/256
D293,601 S	*	1/1988	Hill et al.	D23/255
D300,653 S	*	4/1989	Paul	D23/255
D357,526 S	*	4/1995	Jans	D23/257
D361,370 S	*	8/1995	Fabian	D23/257
D373,620 S	*	9/1996	Doughty et al.	D23/242

D404,467 S	*	1/1999	Doughty et al.	D23/242
D416,608 S	*	11/1999	Warshawsky et al.	D23/242
D421,789 S	*	3/2000	Delker et al.	D23/255
D461,536 S	*	8/2002	Singtoroj	D23/252
D461,542 S	*	8/2002	Shieh	D23/257
D467,320 S	*	12/2002	Yegyayan	D23/255
D485,331 S	*	1/2004	Lin	D23/242

* cited by examiner

Primary Examiner—Louis S. Zarfes

Assistant Examiner—G. Andoll

(74) *Attorney, Agent, or Firm*—Leong C. Lei

(57) **CLAIM**

The ornamental design for a faucet spout, as shown and described.

DESCRIPTION

FIG. 1 is perspective view of a faucet spout showing my new design;

FIG. 2 is a front side elevation view thereof;

FIG. 3 is a rear side elevation view thereof;

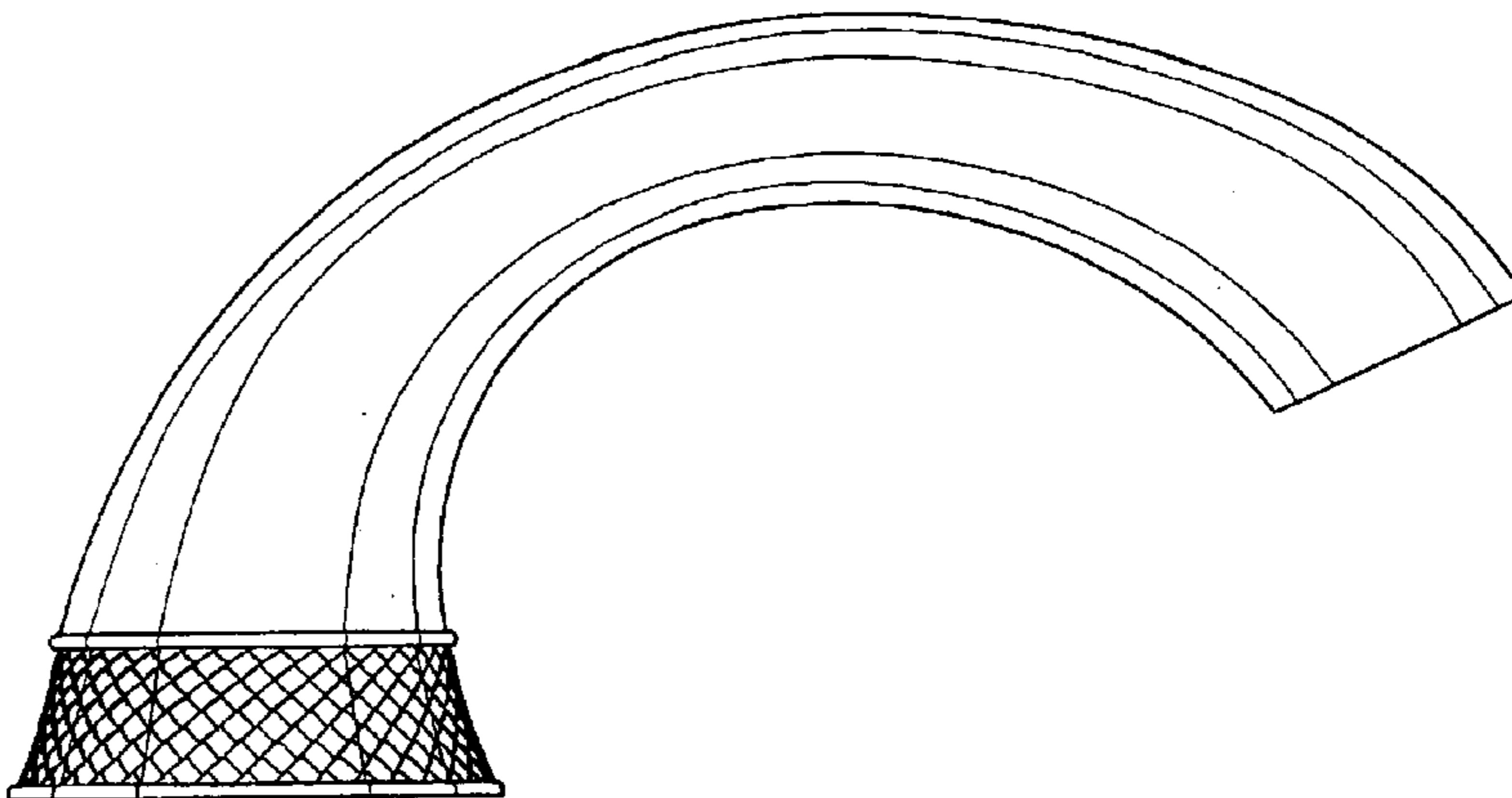
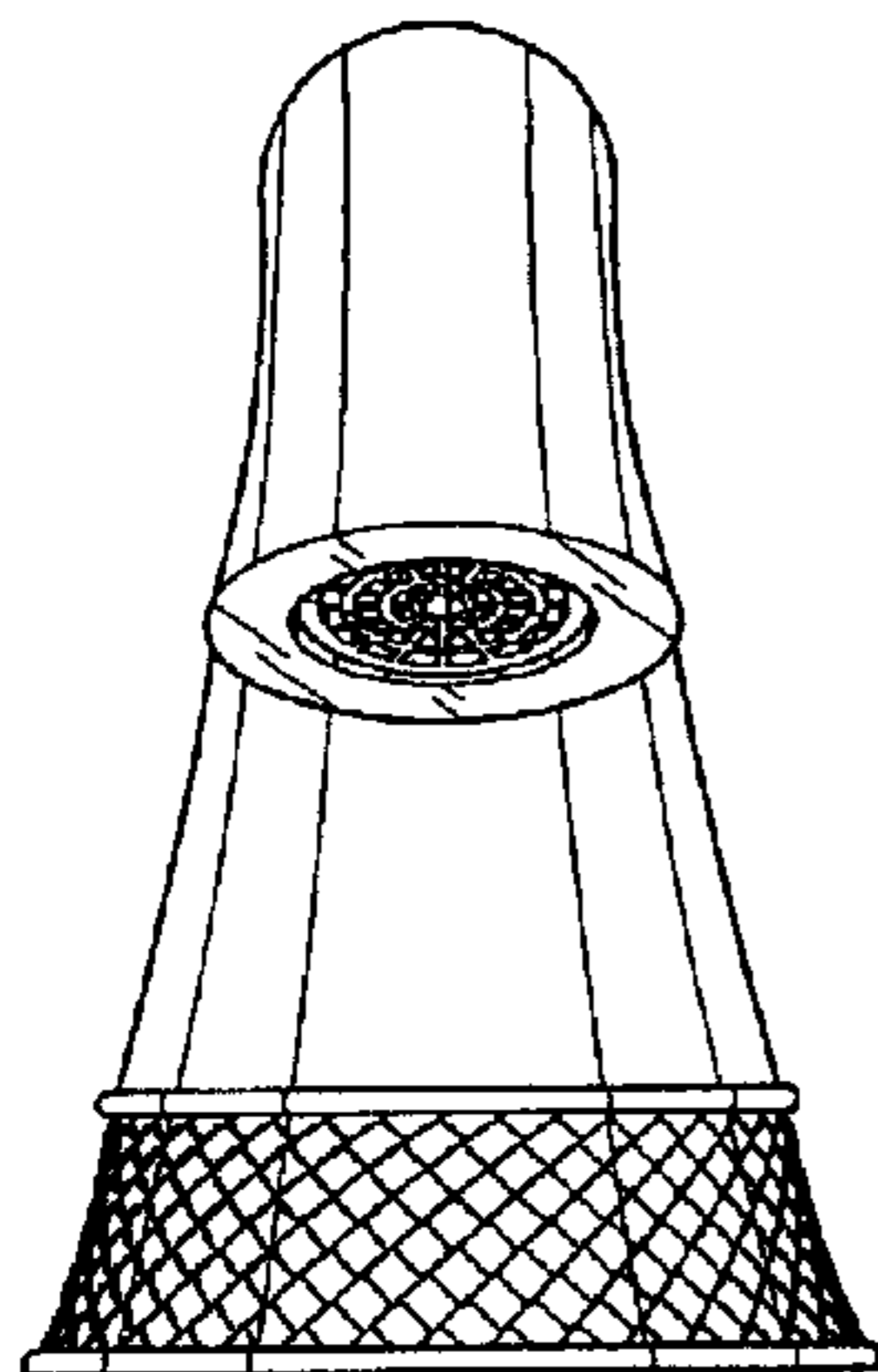
FIG. 4 is a left side elevation view thereof;

FIG. 5 is a right side elevation view thereof;

FIG. 6 is a top plan view thereof; and,

FIG. 7 is a bottom plan view thereof.

1 Claim, 5 Drawing Sheets



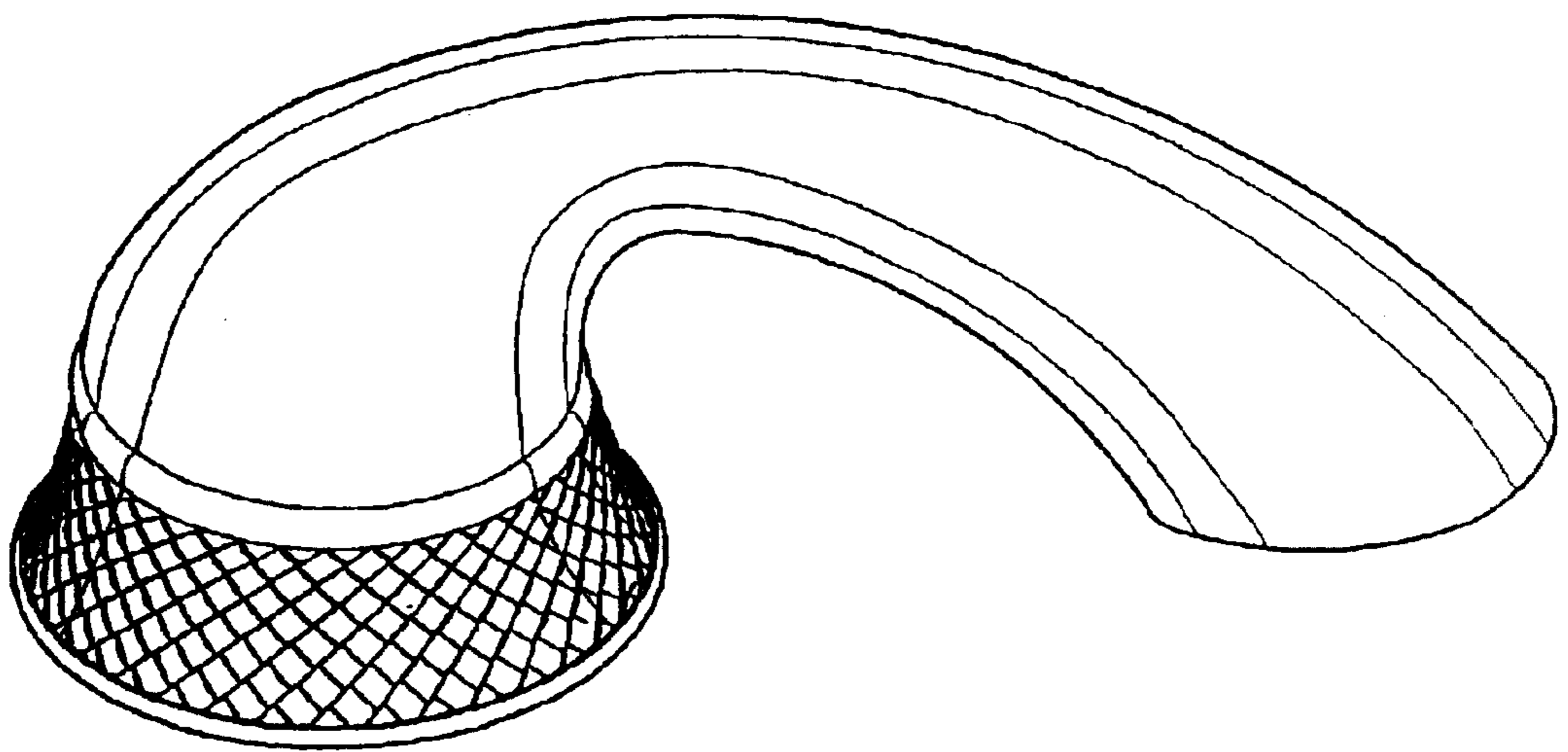


FIG. 1

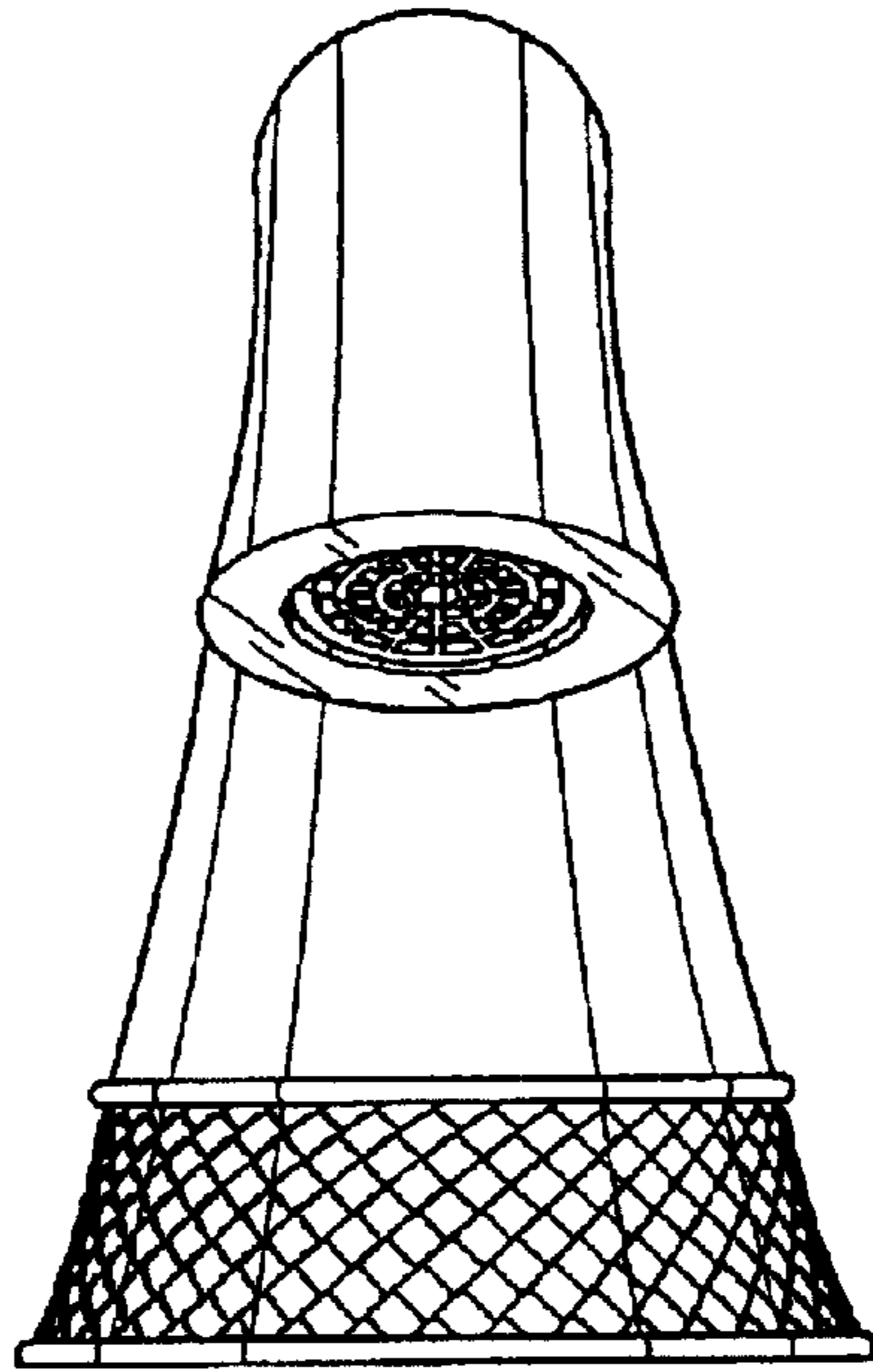


FIG. 2

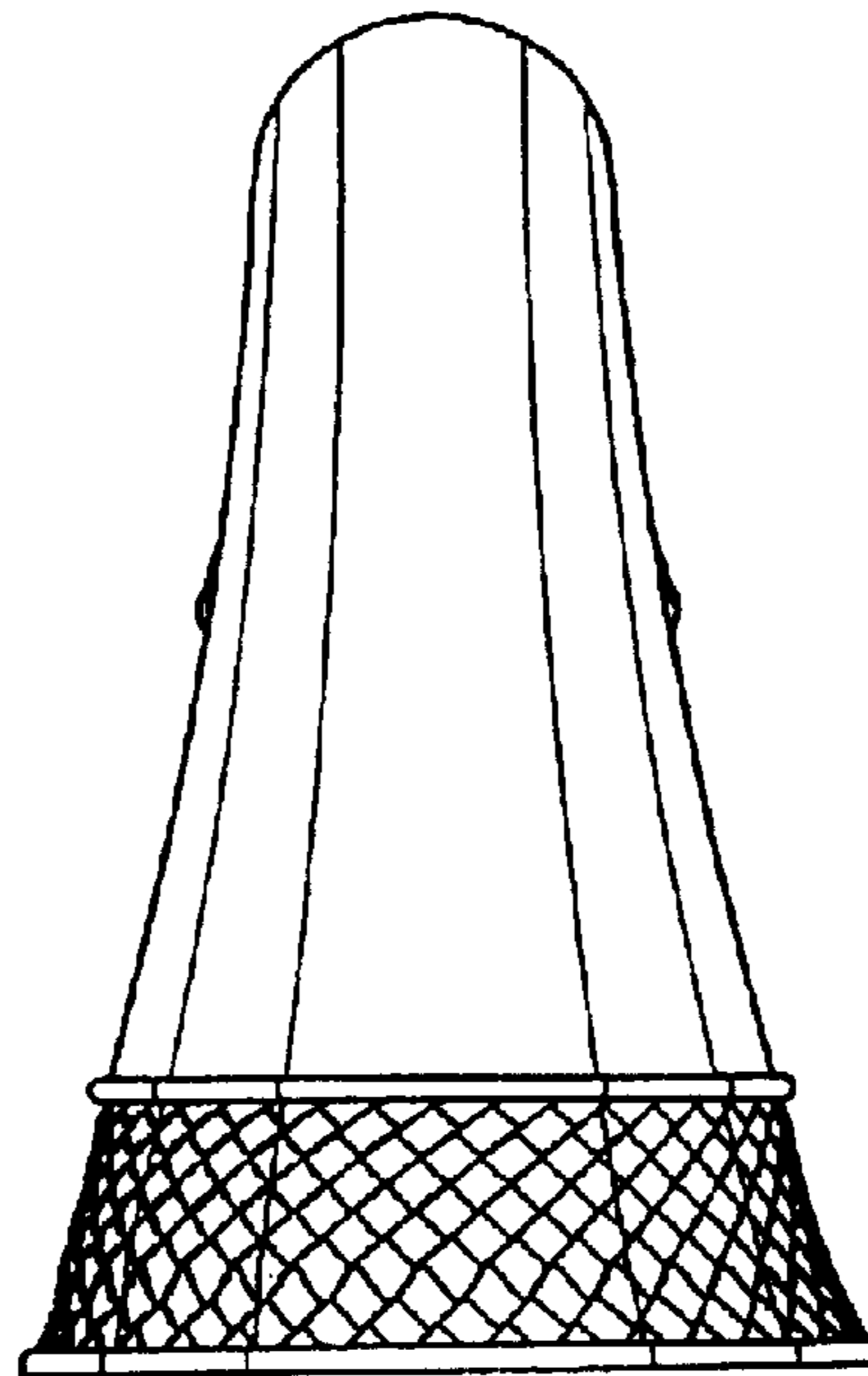


FIG. 3

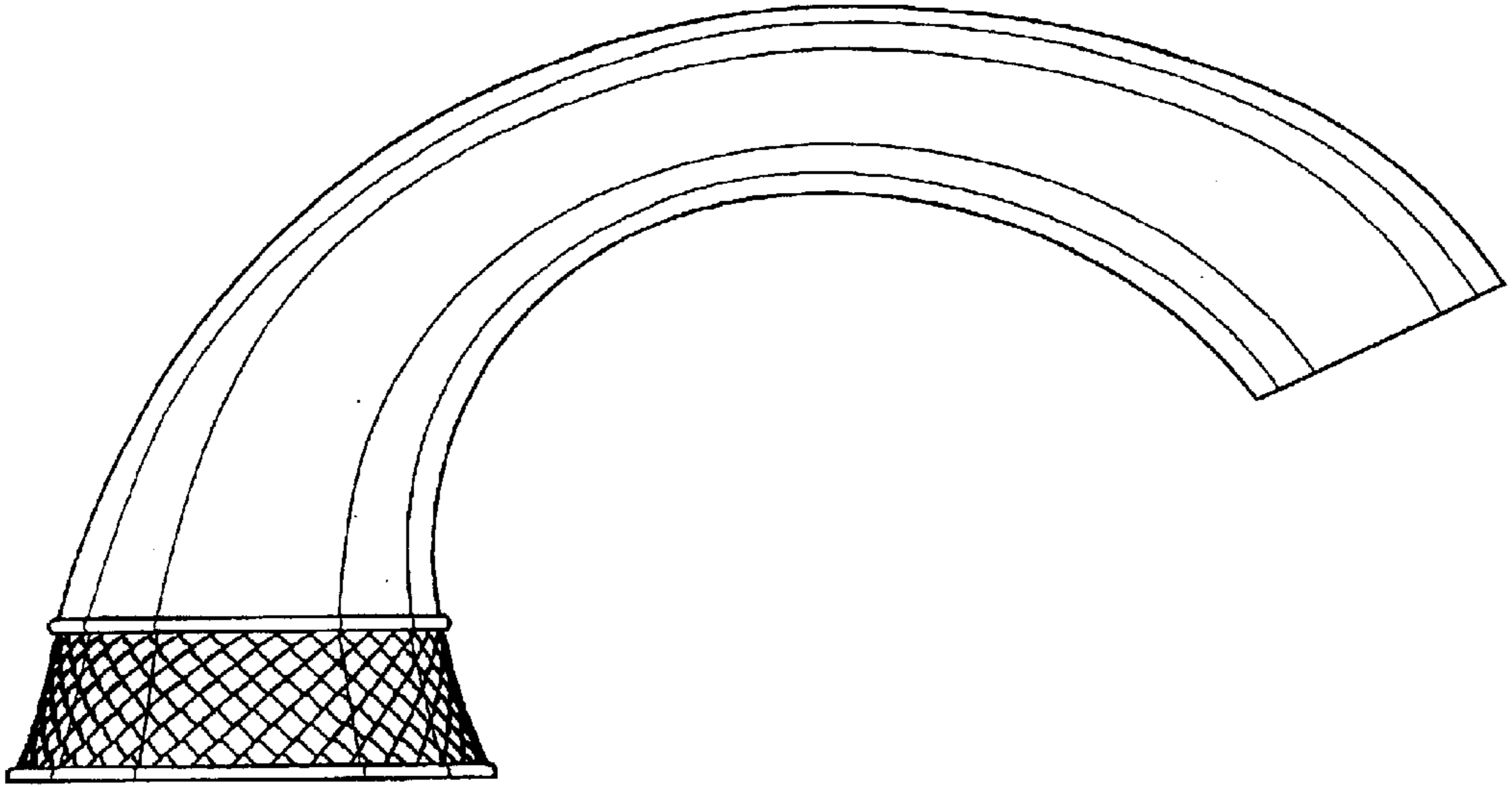


FIG. 4

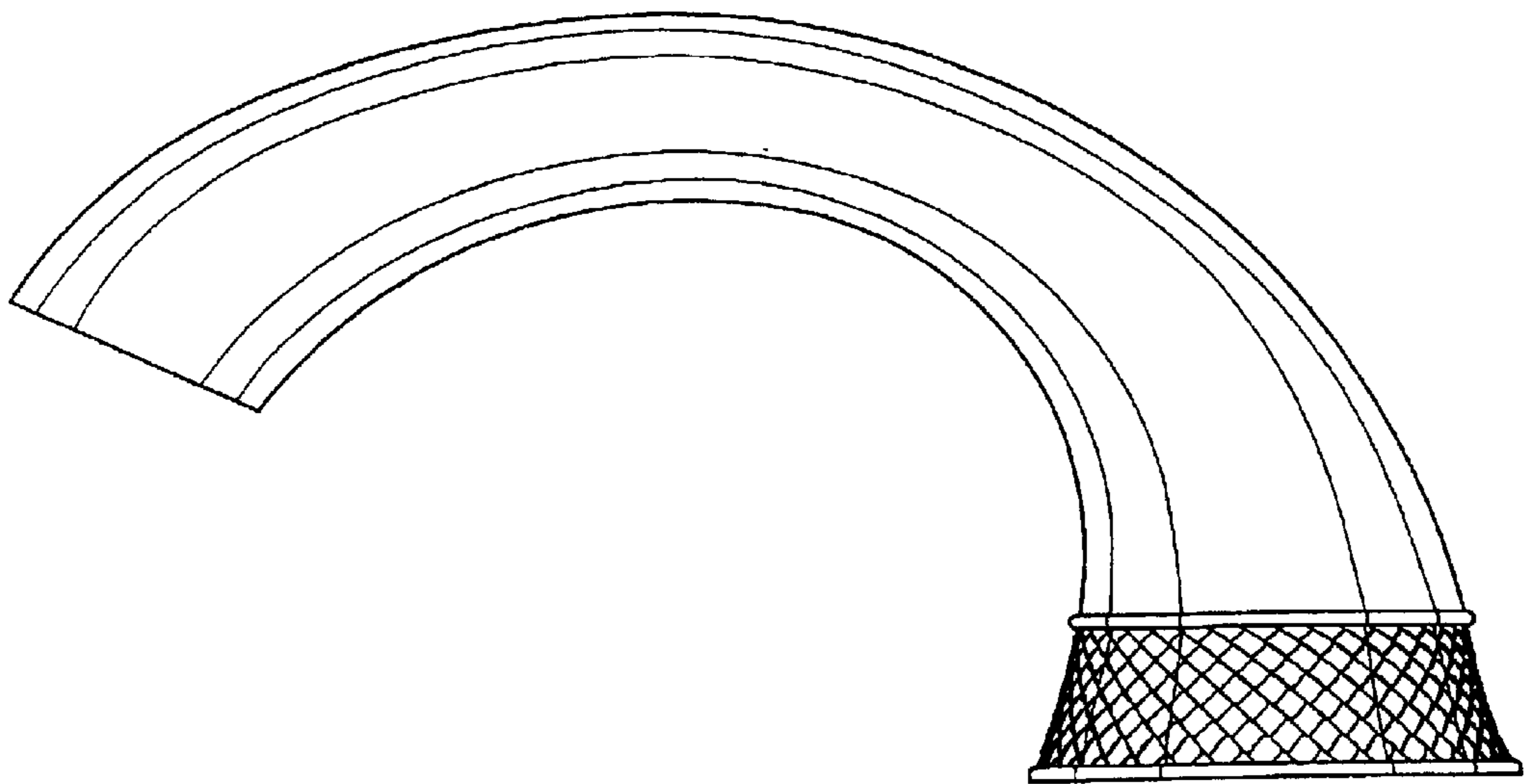


FIG. 5

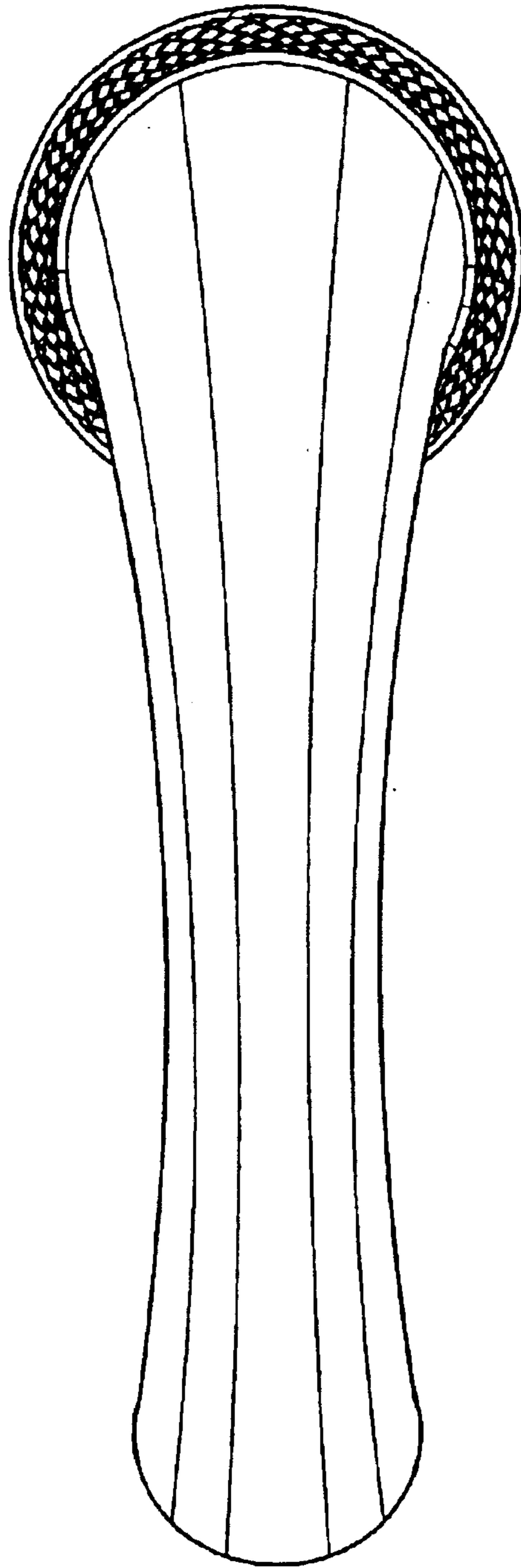


FIG. 6

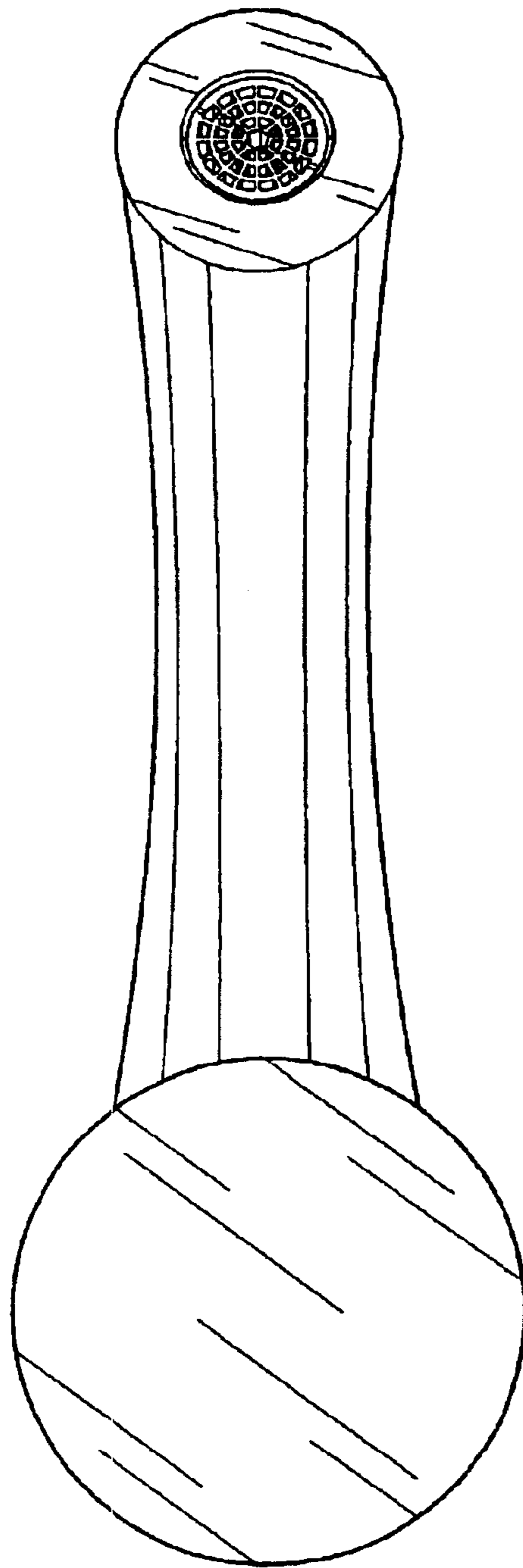


FIG. 7