



US00D491632S

(12) **United States Design Patent**
Lin

(10) **Patent No.:** **US D491,632 S**

(45) **Date of Patent:** **** Jun. 15, 2004**

(54) **SHOWERHEAD**

D465,263 S * 11/2002 Tse D23/229
D465,552 S * 11/2002 Tse D23/229

(75) Inventor: **Pik Fan Lin**, Hong Kong SAR (CN)

* cited by examiner

(73) Assignee: **Aquamate Company Limited**, Hong Kong (CN)

Primary Examiner—Robin V. Taylor

(74) *Attorney, Agent, or Firm*—Alix, Yale & Ristas, LLP

(**) Term: **14 Years**

(57) **CLAIM**

(21) Appl. No.: **29/182,897**

The ornamental design for a showerhead, as shown and described.

(22) Filed: **Jun. 3, 2003**

(51) **LOC (7) Cl.** **23-01**

DESCRIPTION

(52) **U.S. Cl.** **D23/223; D23/229**

FIG. 1 is a front elevational view of a showerhead showing my new design;

(58) **Field of Search** D23/213, 229, D23/230, 223, 226; 239/548, 282, 390, 530, 531

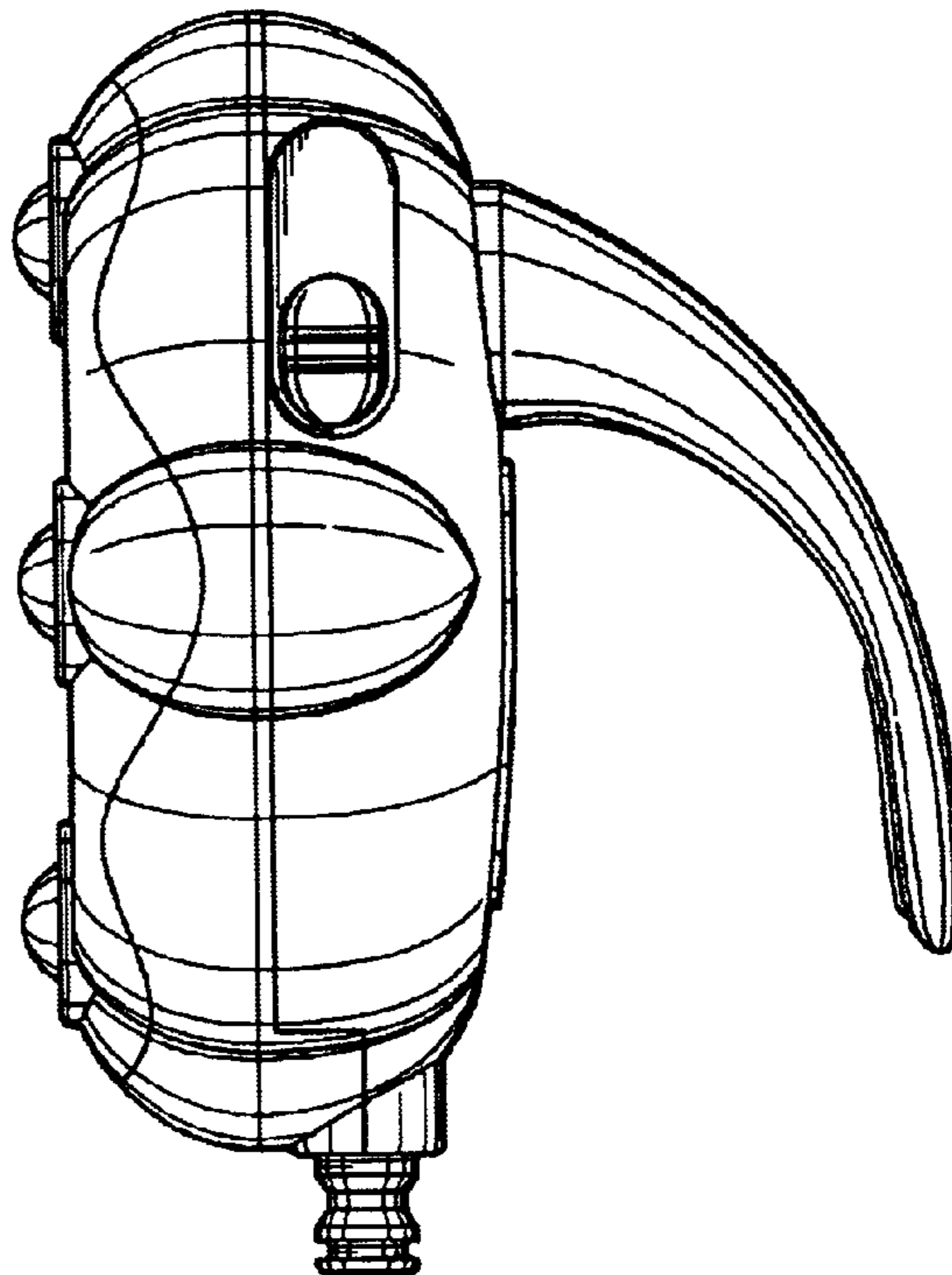
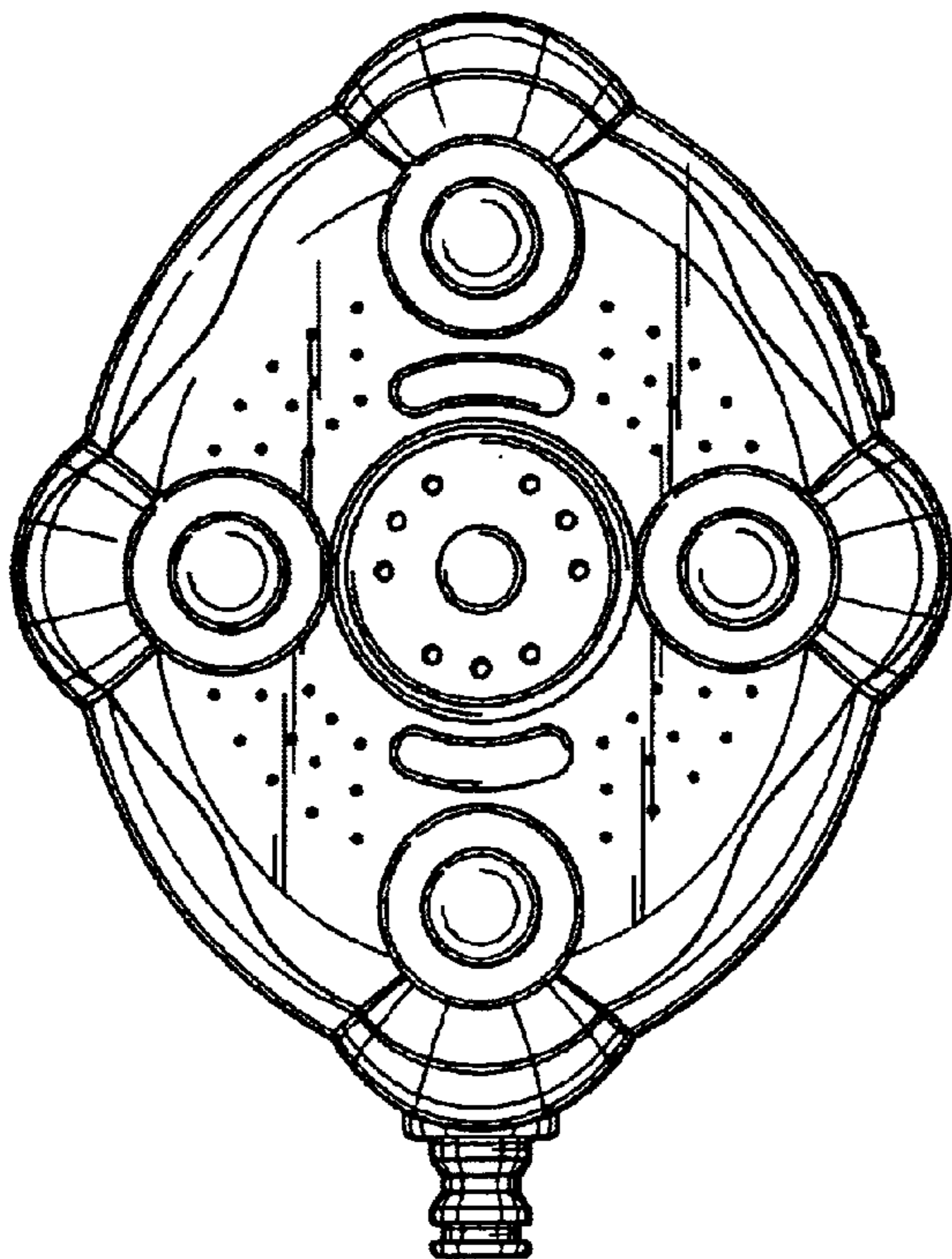
FIG. 2 is a rear elevational view thereof;
FIG. 3 is a left side elevational view thereof;
FIG. 4 is a right side elevational view thereof;
FIG. 5 is a top plan view thereof; and,
FIG. 6 is a bottom plan view thereof.

(56) **References Cited**

U.S. PATENT DOCUMENTS

D206,706 S * 1/1967 Anderson et al. D23/213
D261,417 S * 10/1981 Klose D23/229

1 Claim, 3 Drawing Sheets



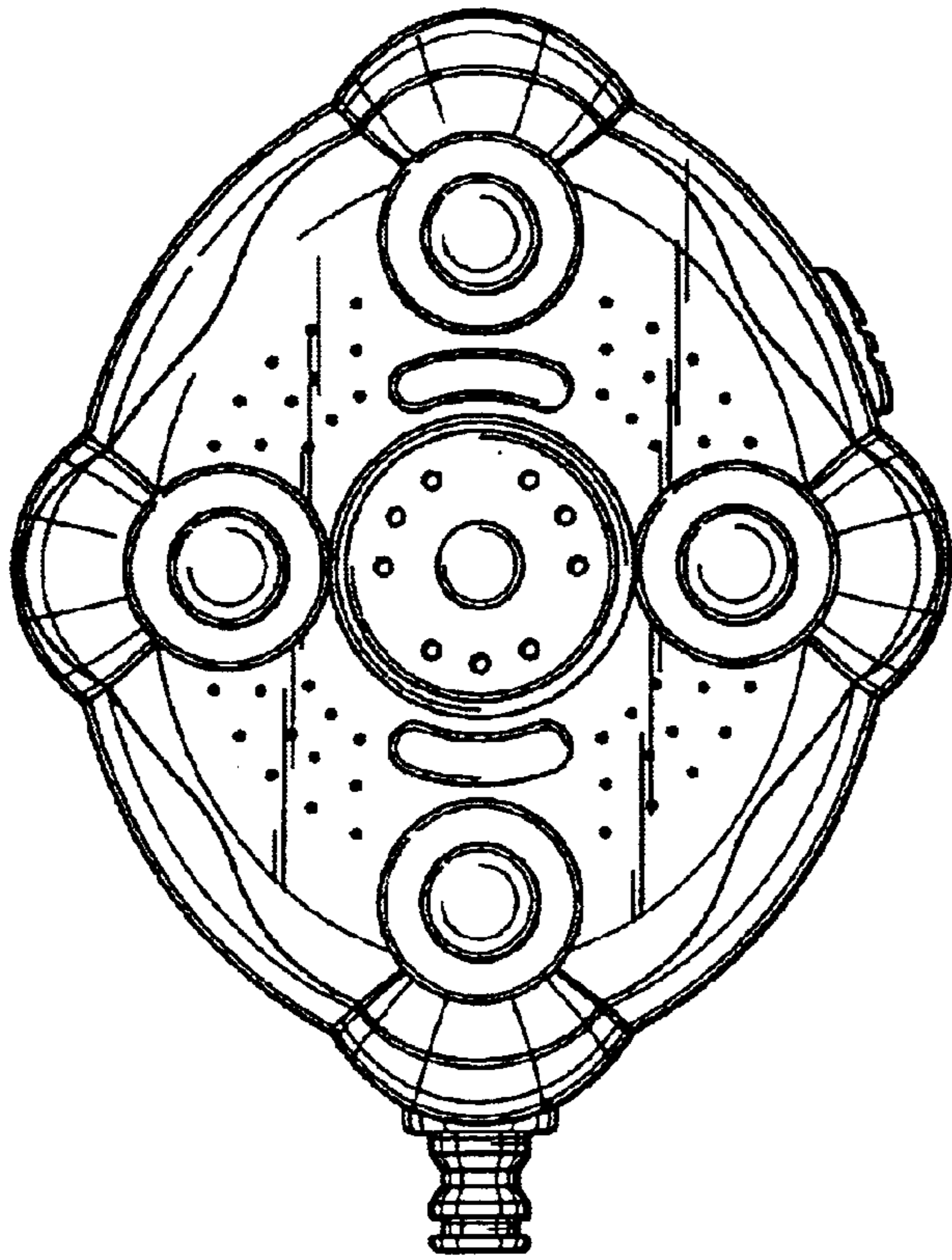


FIG. 1

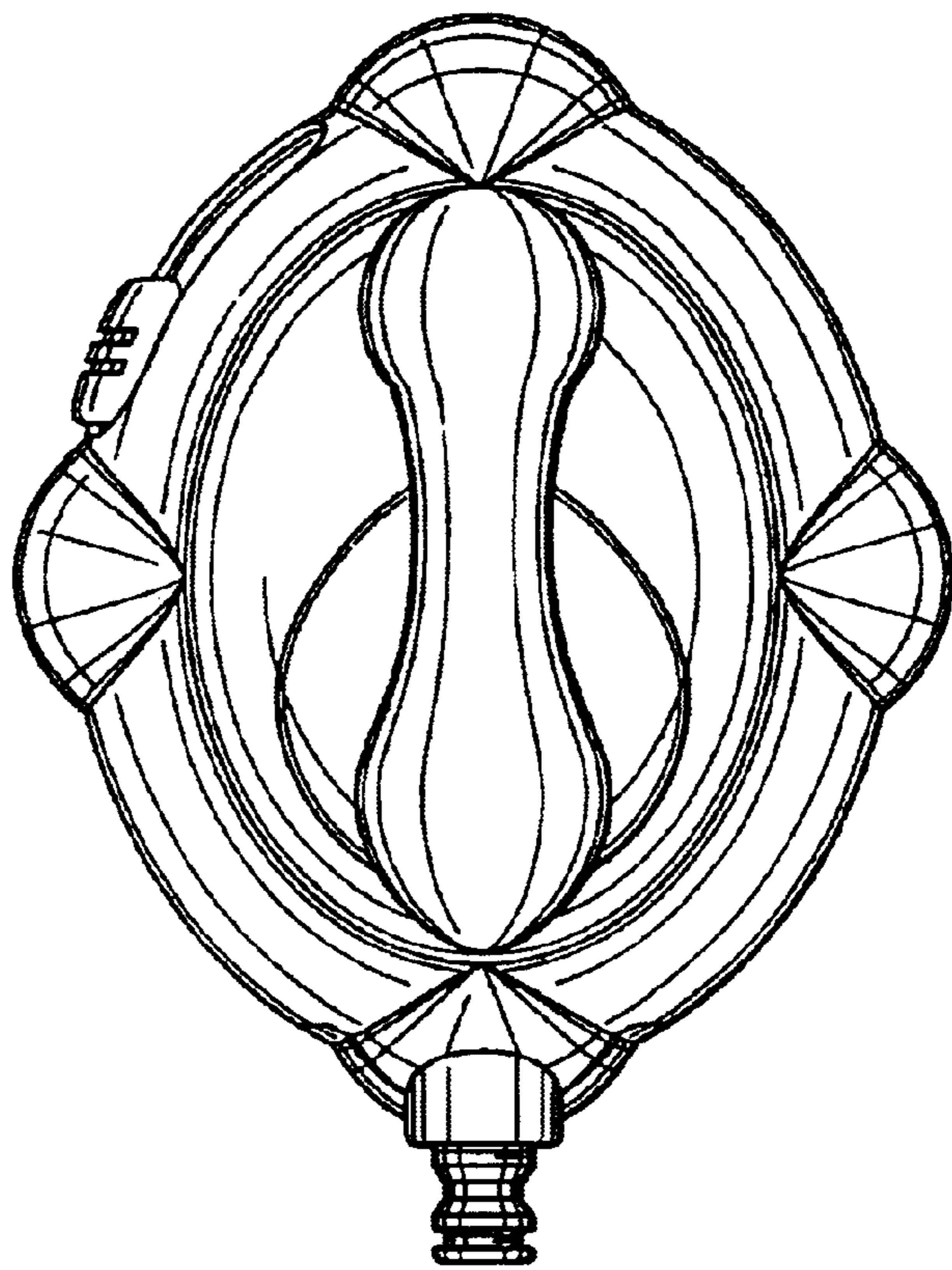


FIG. 2

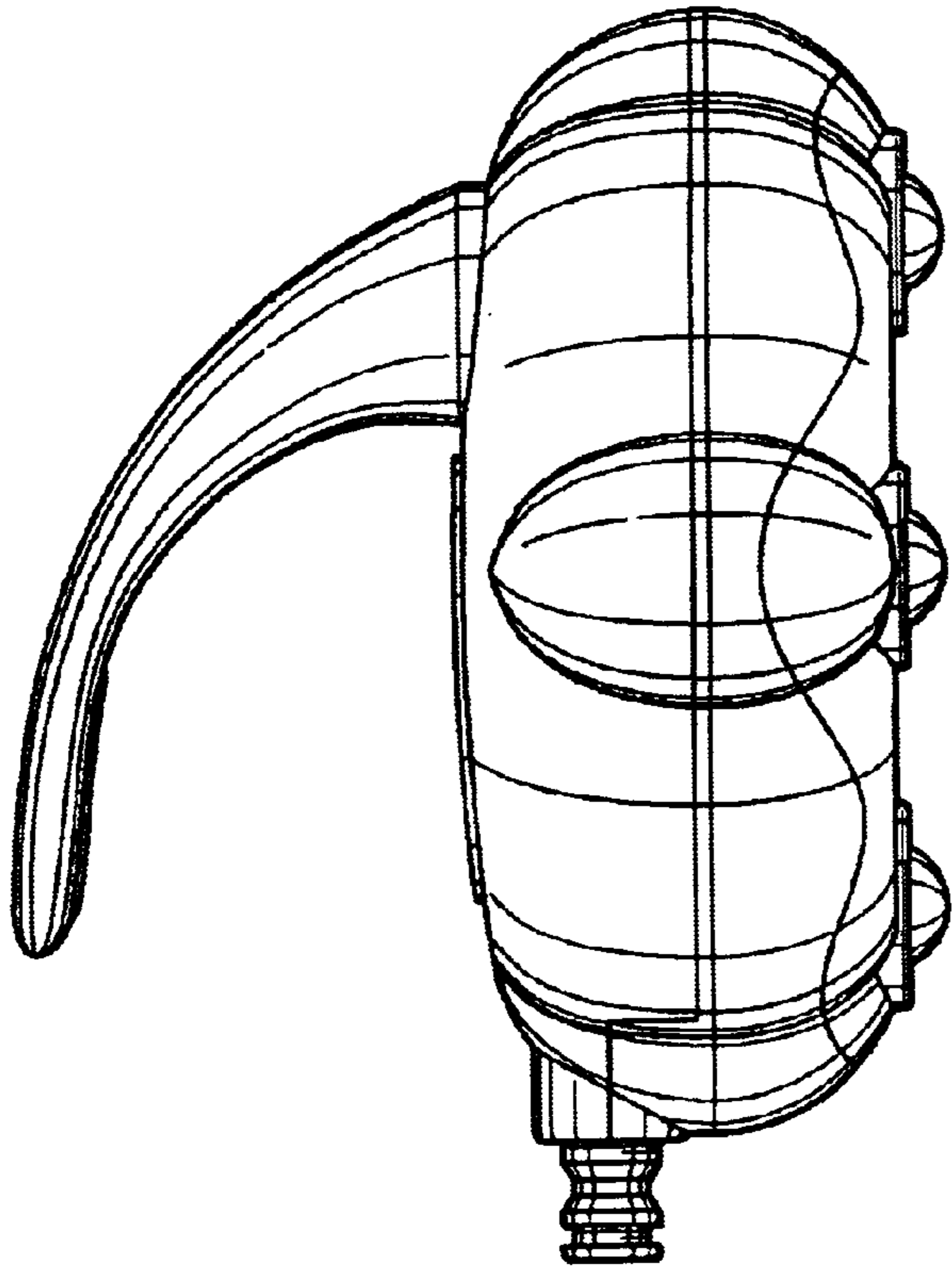
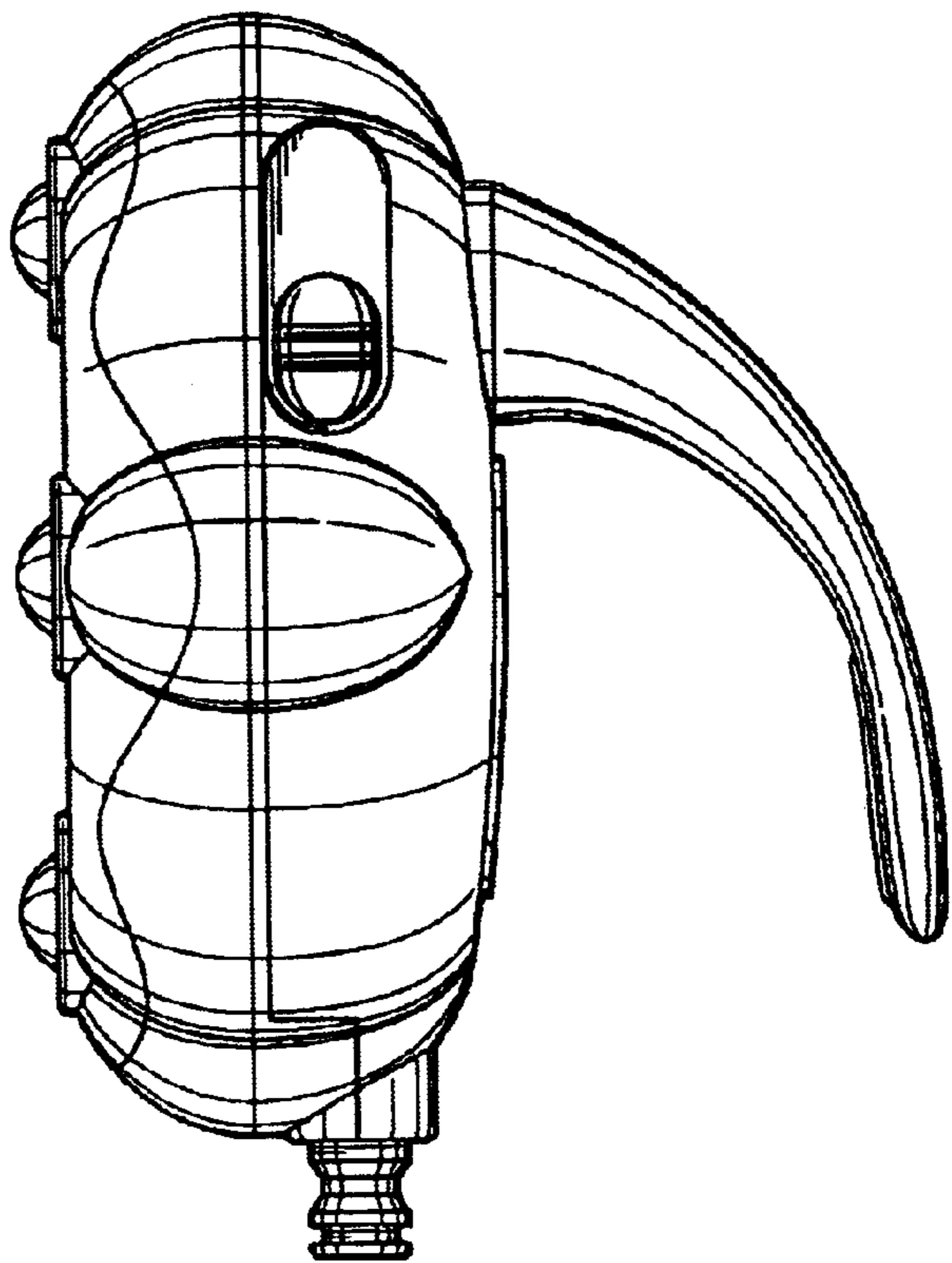


FIG. 3

FIG. 4



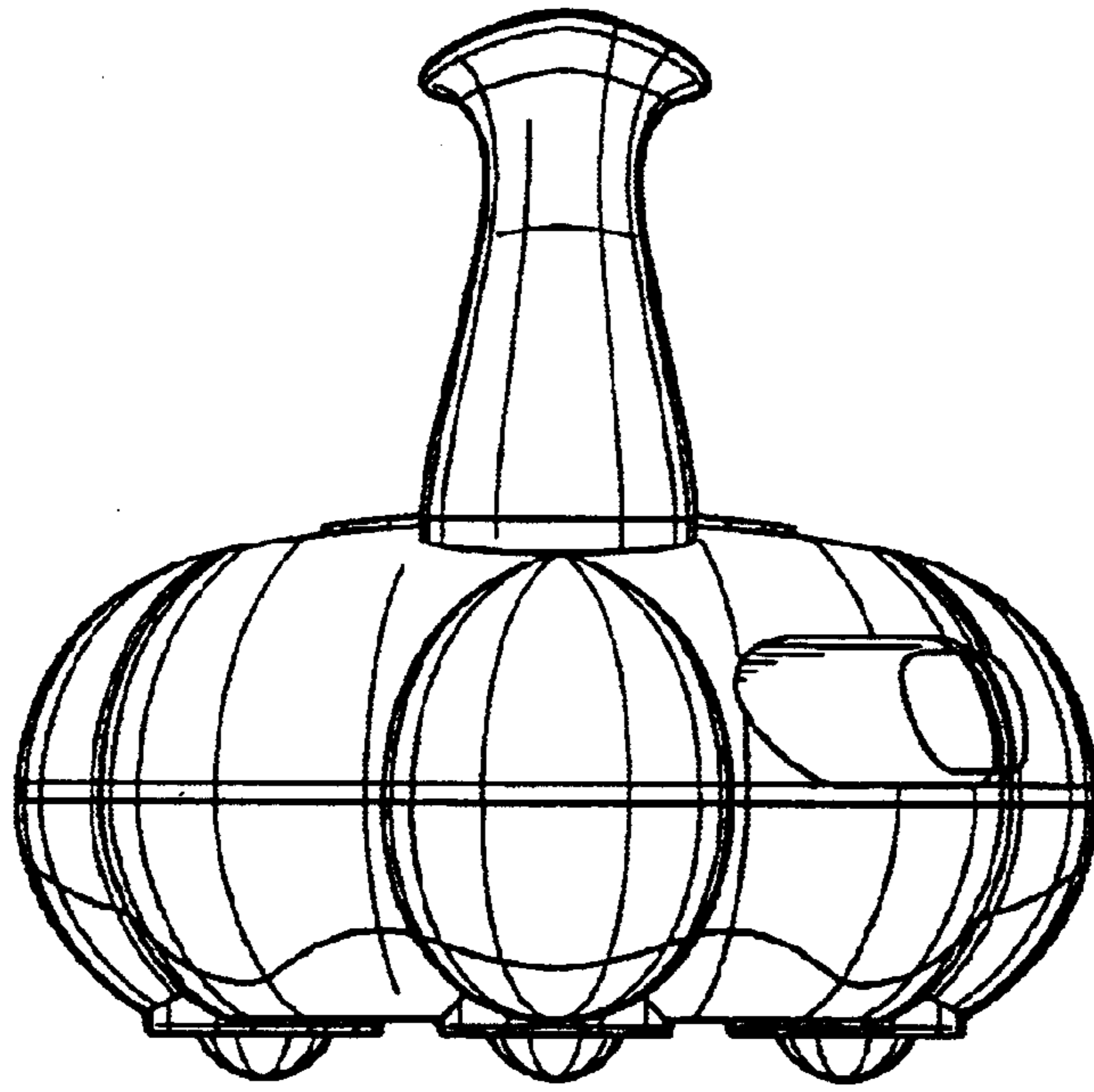


FIG. 5

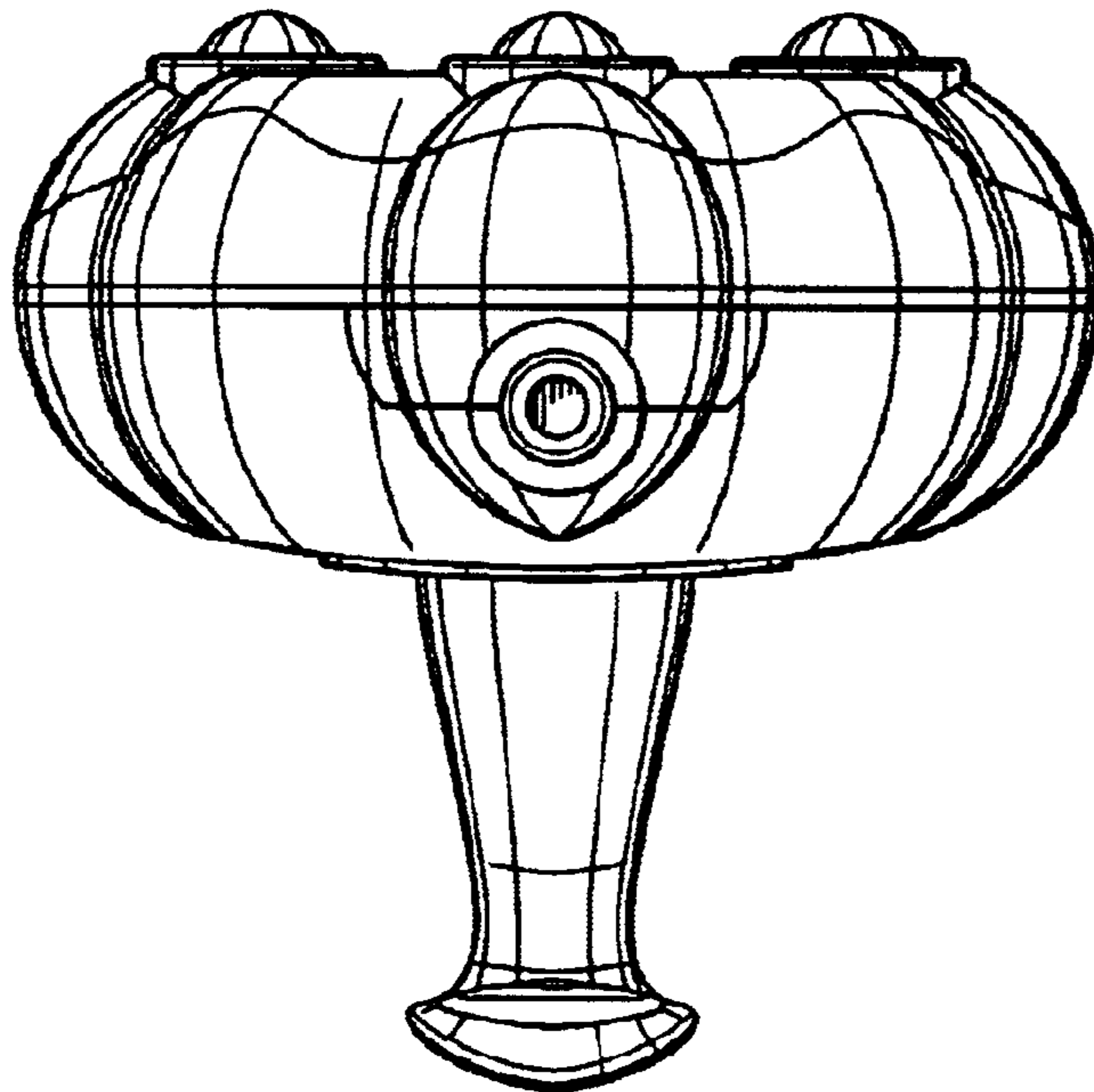


FIG. 6