



US00D491630S

(12) **United States Design Patent**  
**Hsiao**

(10) **Patent No.:** **US D491,630 S**

(45) **Date of Patent:** **\*\* Jun. 15, 2004**

(54) **GAS TANK WITH A STAND**

D279,402 S \* 6/1985 Gibson ..... D23/204

(76) Inventor: **Eming Hsiao**, No. 427, Sec. 2,  
Doou-Chung Rd., Tien-Chung,  
Chang-Hwa (TW)

\* cited by examiner

*Primary Examiner*—Robin V. Taylor

(74) *Attorney, Agent, or Firm*—William E. Pelton, Esq.

(\*\*) Term: **14 Years**

(57) **CLAIM**

(21) Appl. No.: **29/186,707**

The ornamental design for a gas tank with a stand, as shown.

(22) Filed: **Jul. 21, 2003**

**DESCRIPTION**

(51) **LOC (7) Cl.** ..... **23-01**

(52) **U.S. Cl.** ..... **D23/202**

(58) **Field of Search** ..... D23/202-5; 220/562,  
220/565, 581-2, 4.12, 560.07, 682, 631

FIG. 1 is a perspective view of the gas tank with a stand showing my new design;

FIG. 2 is a front elevational view thereof;

FIG. 3 is a rear elevational view thereof;

FIG. 4 is a left side view thereof;

FIG. 5 is a right side view thereof;

FIG. 6 is a top plane view thereof; and,

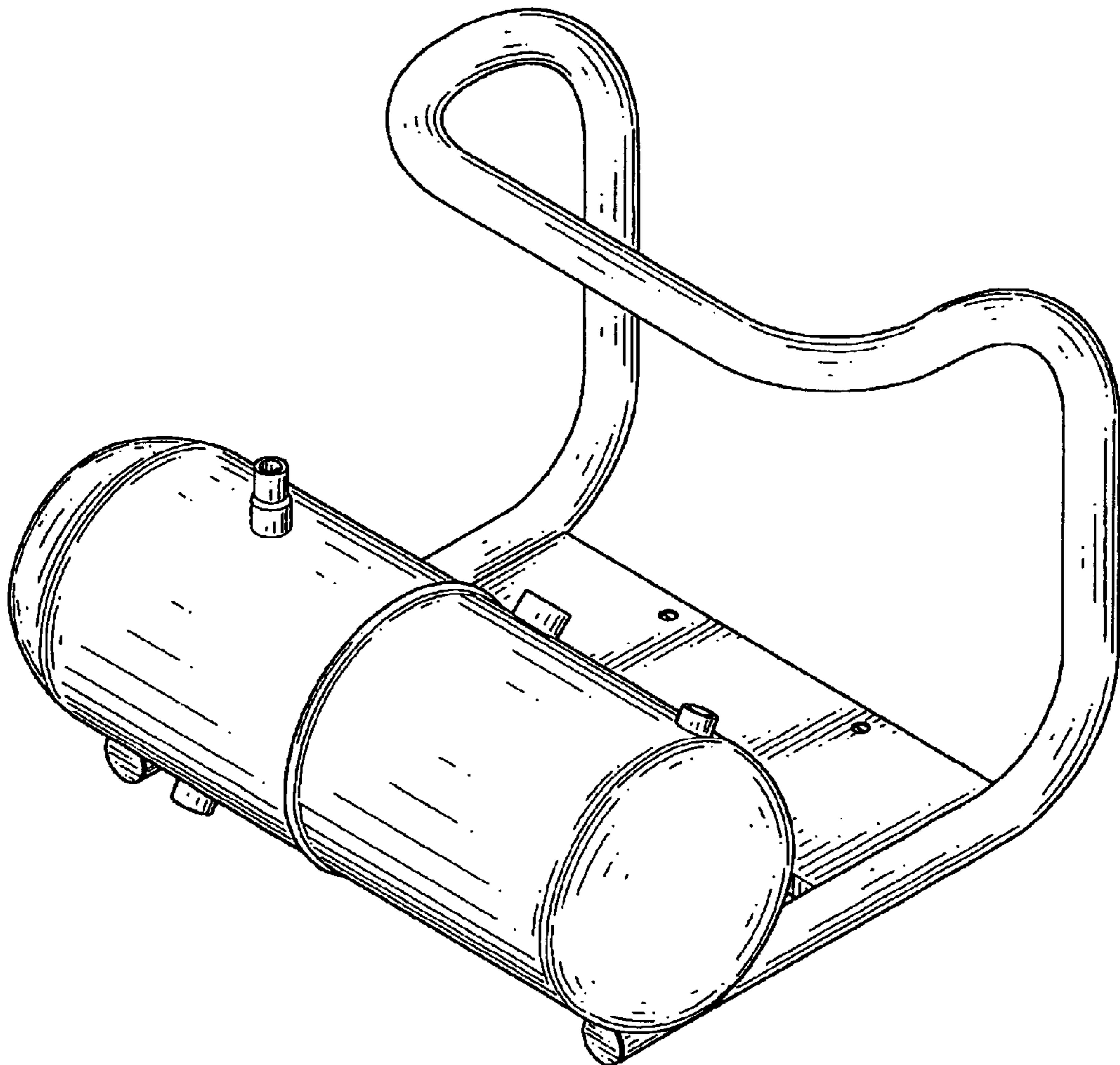
FIG. 7 is a bottom plane view thereof.

(56) **References Cited**

**U.S. PATENT DOCUMENTS**

2,890,812 A \* 6/1959 Vorwerk ..... 220/628  
4,486,044 A \* 12/1984 Gordon et al. .... 294/31.2  
D278,457 S \* 4/1985 Schroder et al. .... D23/205

**1 Claim, 4 Drawing Sheets**



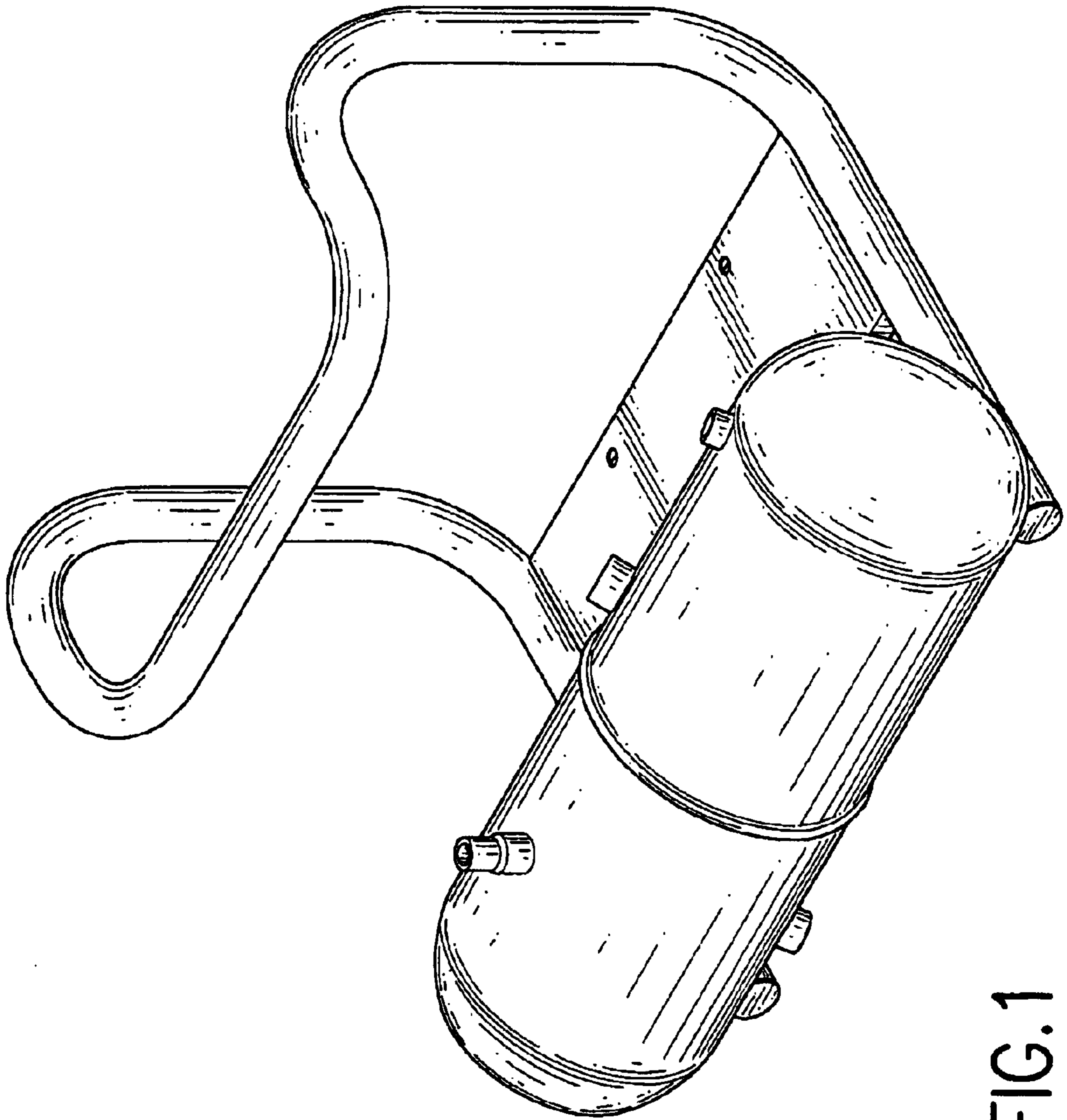


FIG.1

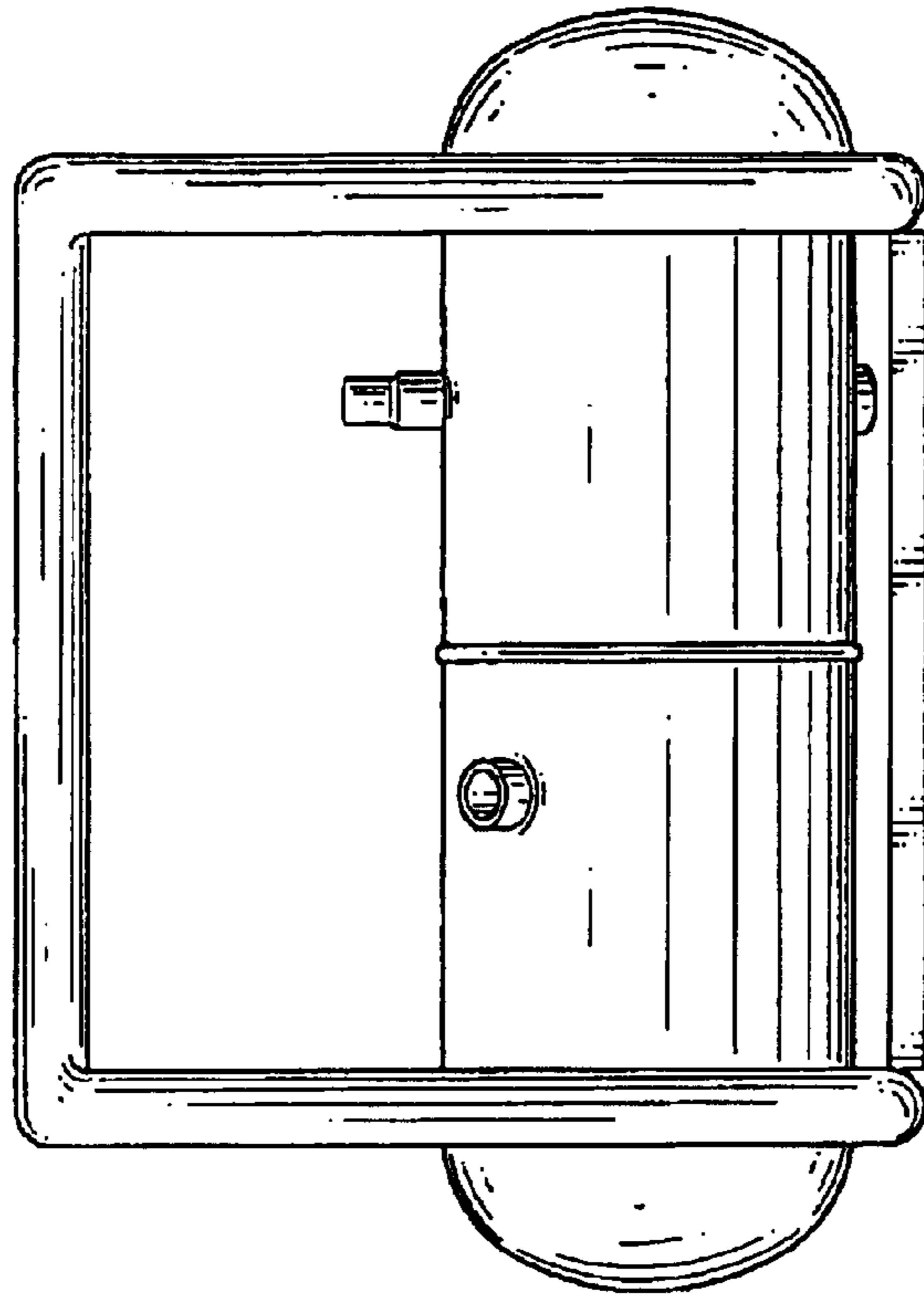


FIG.3

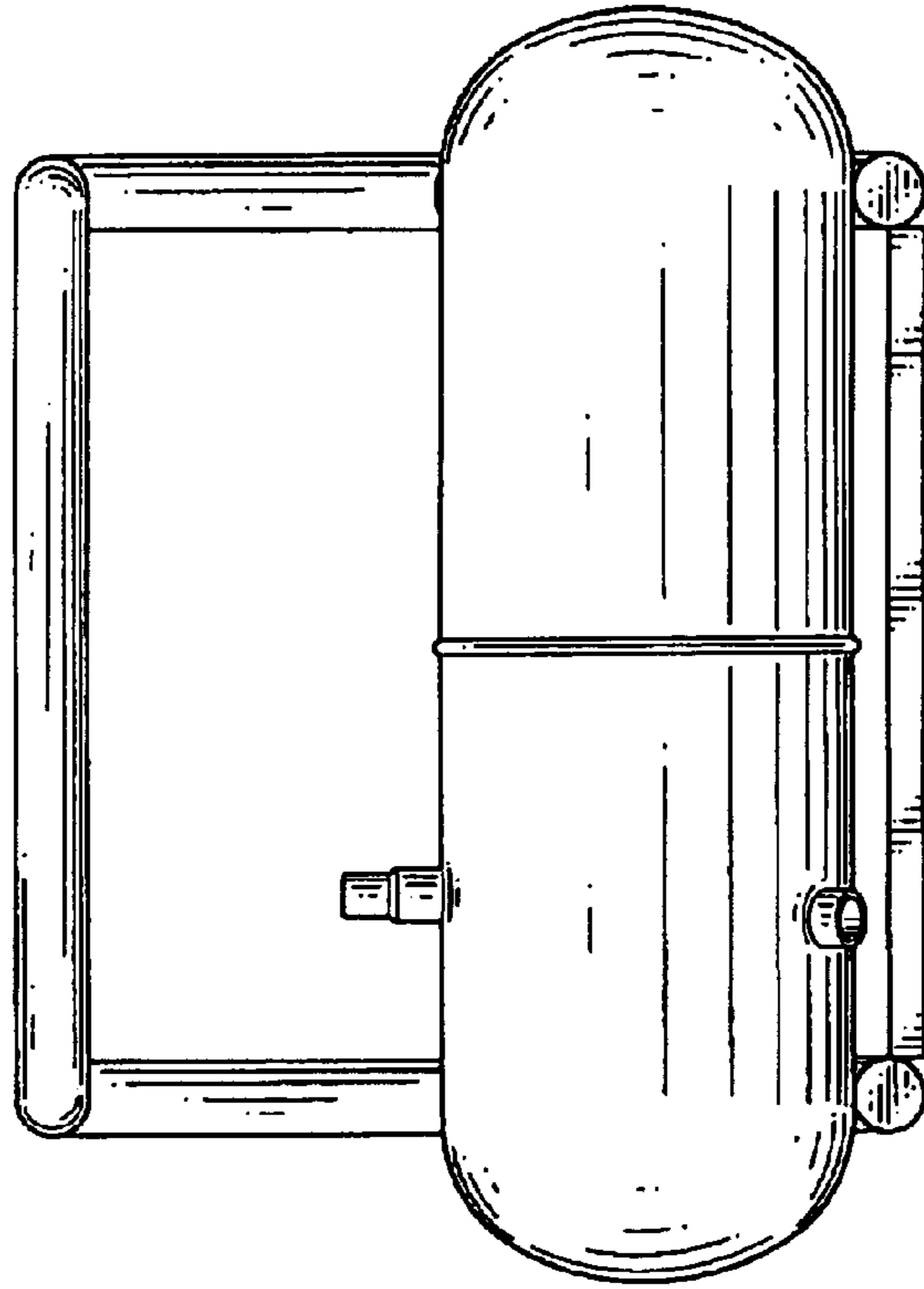


FIG.2

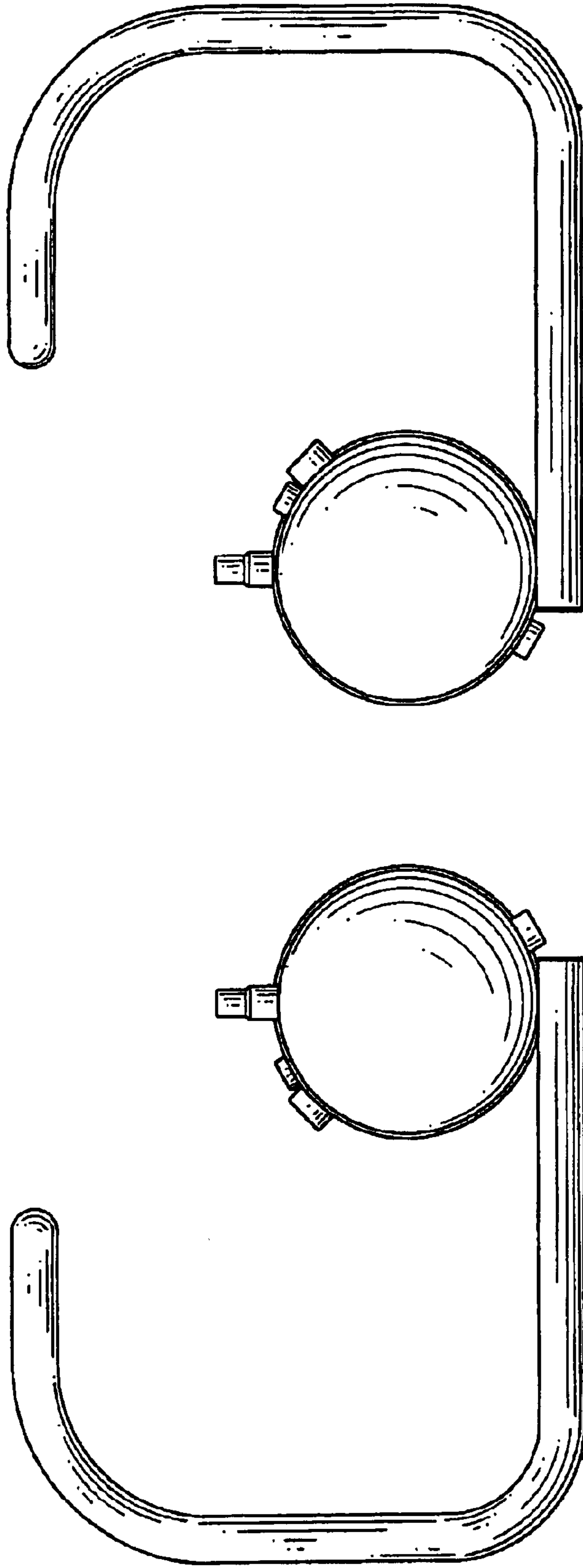


FIG.5

FIG.4

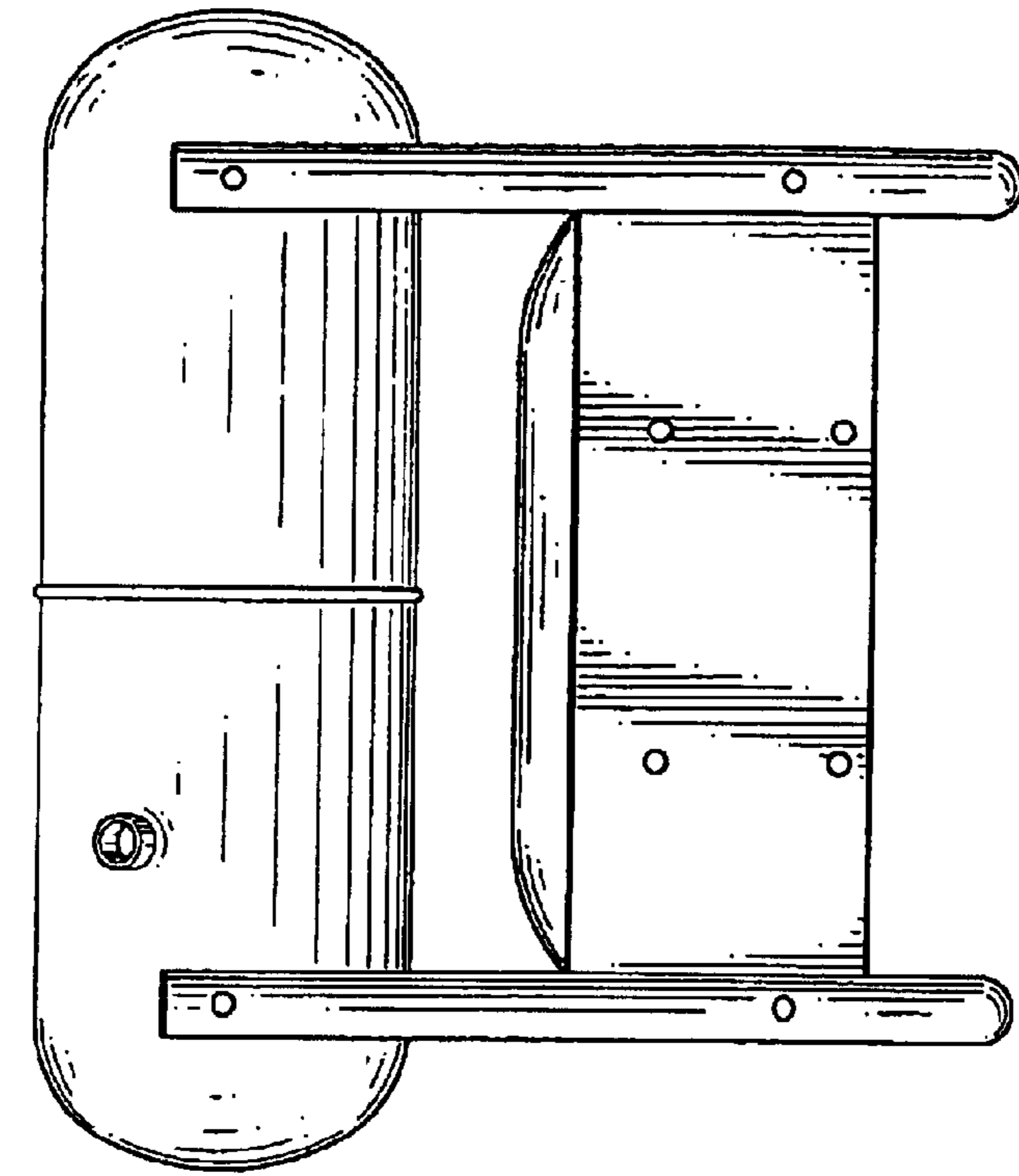


FIG. 7

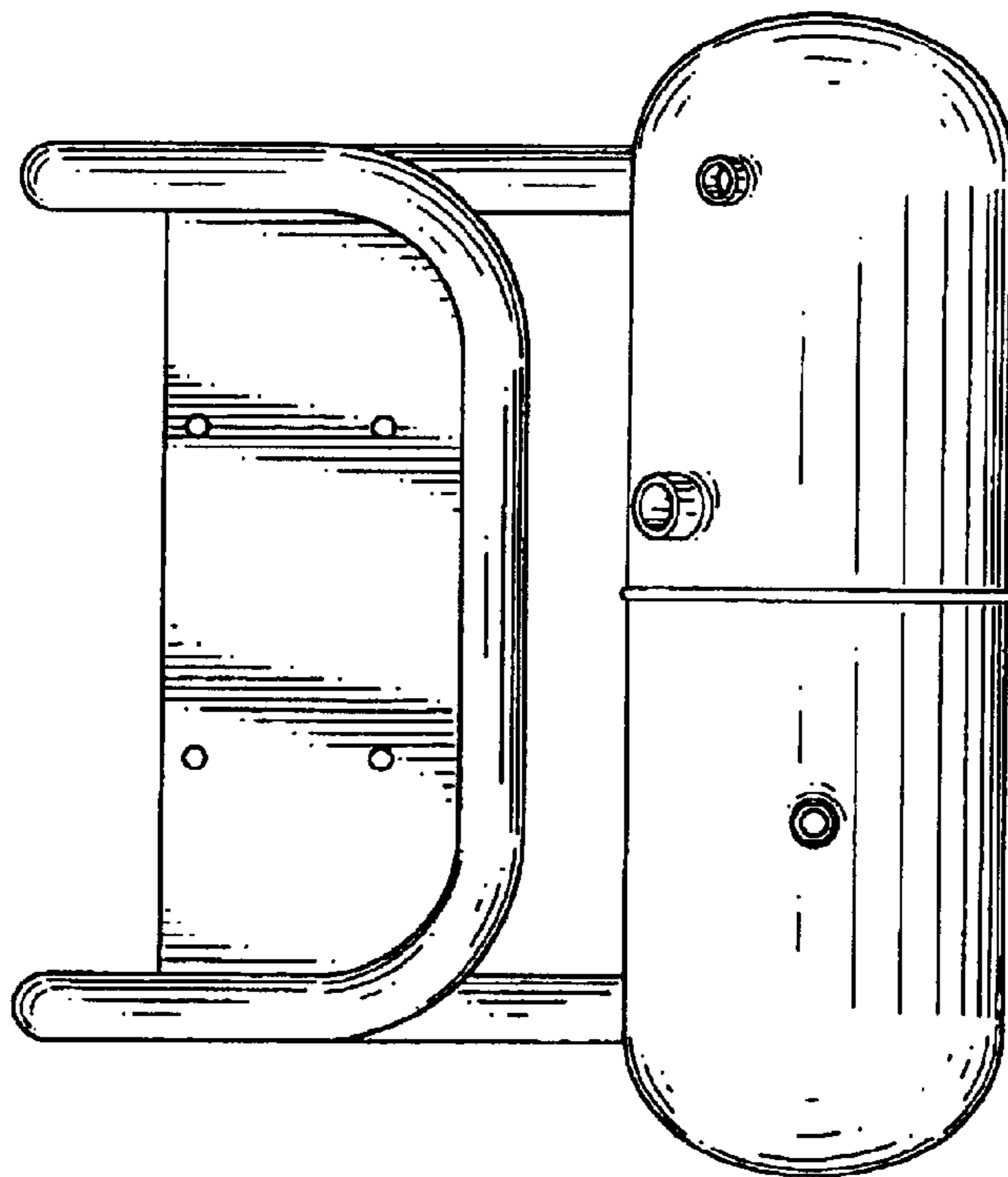


FIG. 6