



US00D491626S

(12) **United States Design Patent**
Hsiao

(10) **Patent No.:** **US D491,626 S**

(45) **Date of Patent:** **** Jun. 15, 2004**

(54) **GAS TANK WITH A STAND**

(76) Inventor: **Eming Hsiao**, No. 427, Sec. 2,
Doou-Chung Rd., Tien-Chung,
Chan-Hwa (TW)

(**) Term: **14 Years**

(21) Appl. No.: **29/186,693**

(22) Filed: **Jul. 21, 2003**

(51) **LOC (7) Cl.** **23-01**

(52) **U.S. Cl.** **D23/202**

(58) **Field of Search** D23/202-5; 220/562,
220/565, 581-2, 4.12, 560.07, 682-631

(56) **References Cited**

U.S. PATENT DOCUMENTS

2,890,812 A	*	6/1959	Vorwerk	220/628
4,486,044 A	*	12/1984	Gordon et al.	294/31.2
D278,457 S	*	4/1985	Schroder et al.	D23/205
D279,402 S	*	6/1985	Gibson	D23/204

* cited by examiner

Primary Examiner—Robin V. Taylor

(74) *Attorney, Agent, or Firm*—William E. Pelton, Esq.

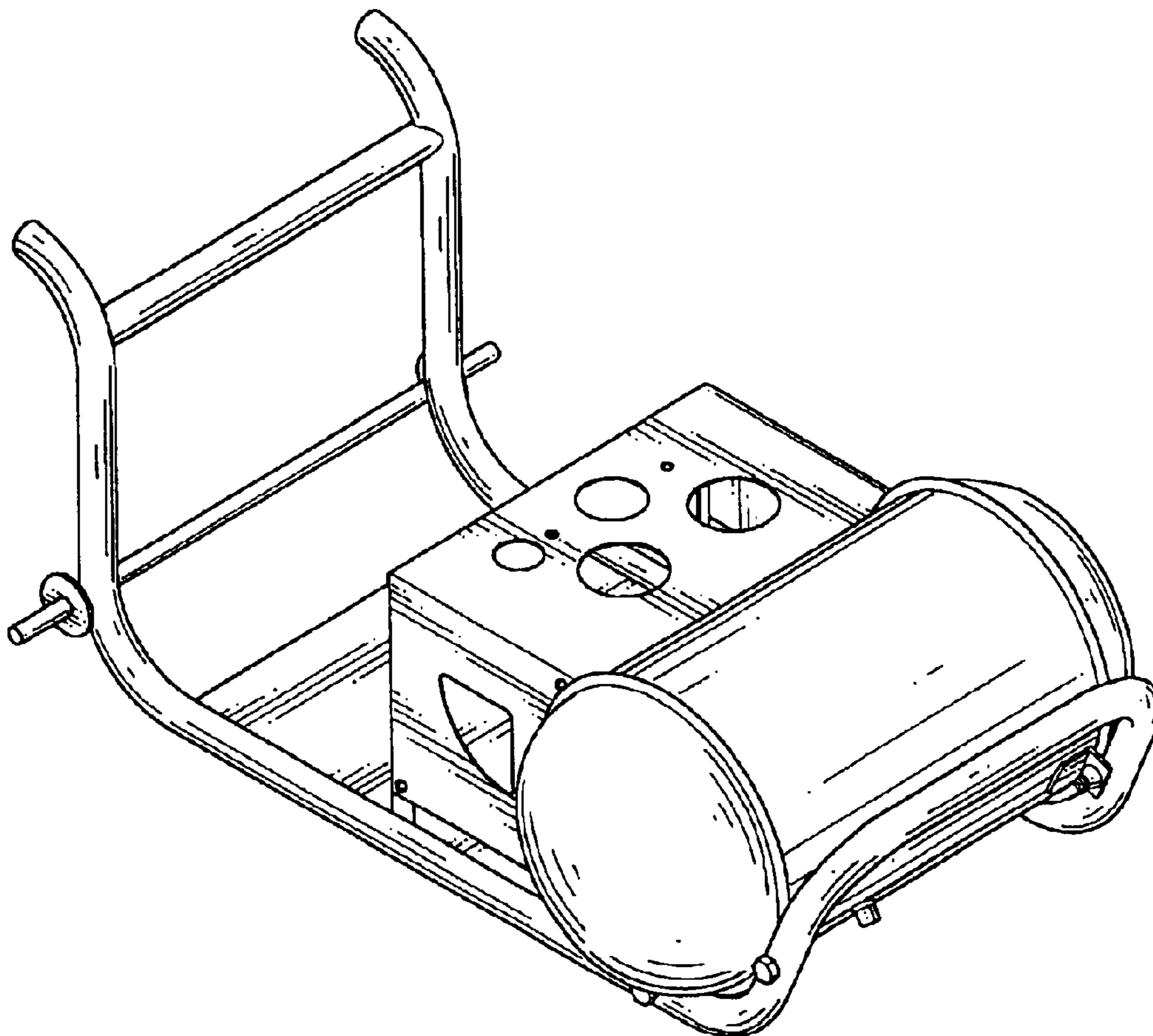
(57) **CLAIM**

The ornamental design for a gas tank with a stand, as shown and described.

DESCRIPTION

FIG. 1 is a perspective view of the gas tank with a stand showing my new design;
FIG. 2 is a front elevational view thereof;
FIG. 3 is a rear elevational view thereof;
FIG. 4 is a left side view thereof;
FIG. 5 is a right side view thereof;
FIG. 6 is a top plane view thereof;
FIG. 7 is a bottom plane view thereof; and,
FIG. 8 is a referential operational side plain view of the gas tank with a stand holding an air compressor on the a stand, wherein the broken lines are shown for illustrative purposes only and form no part of the claimed design.

1 Claim, 5 Drawing Sheets



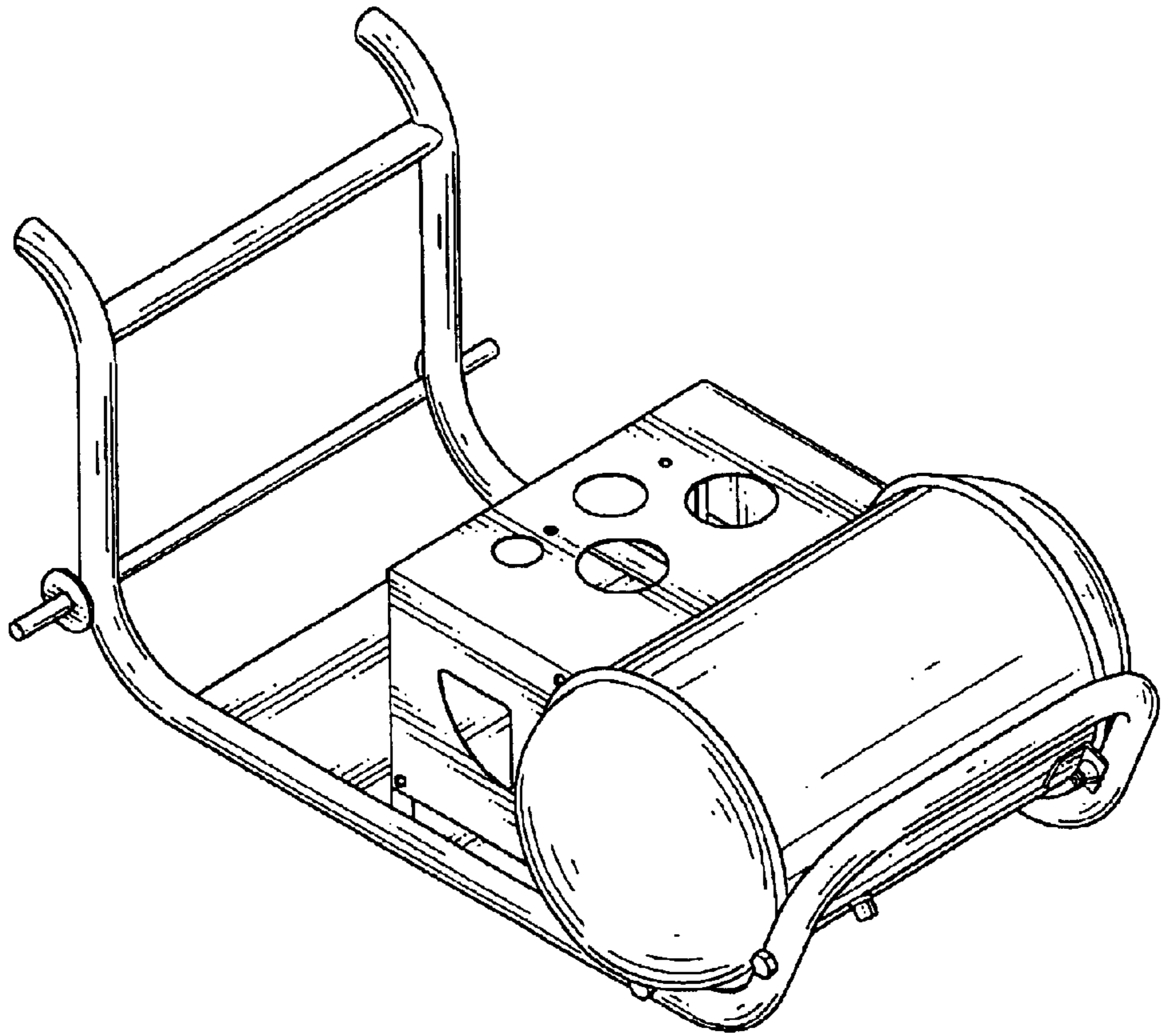


FIG. 1

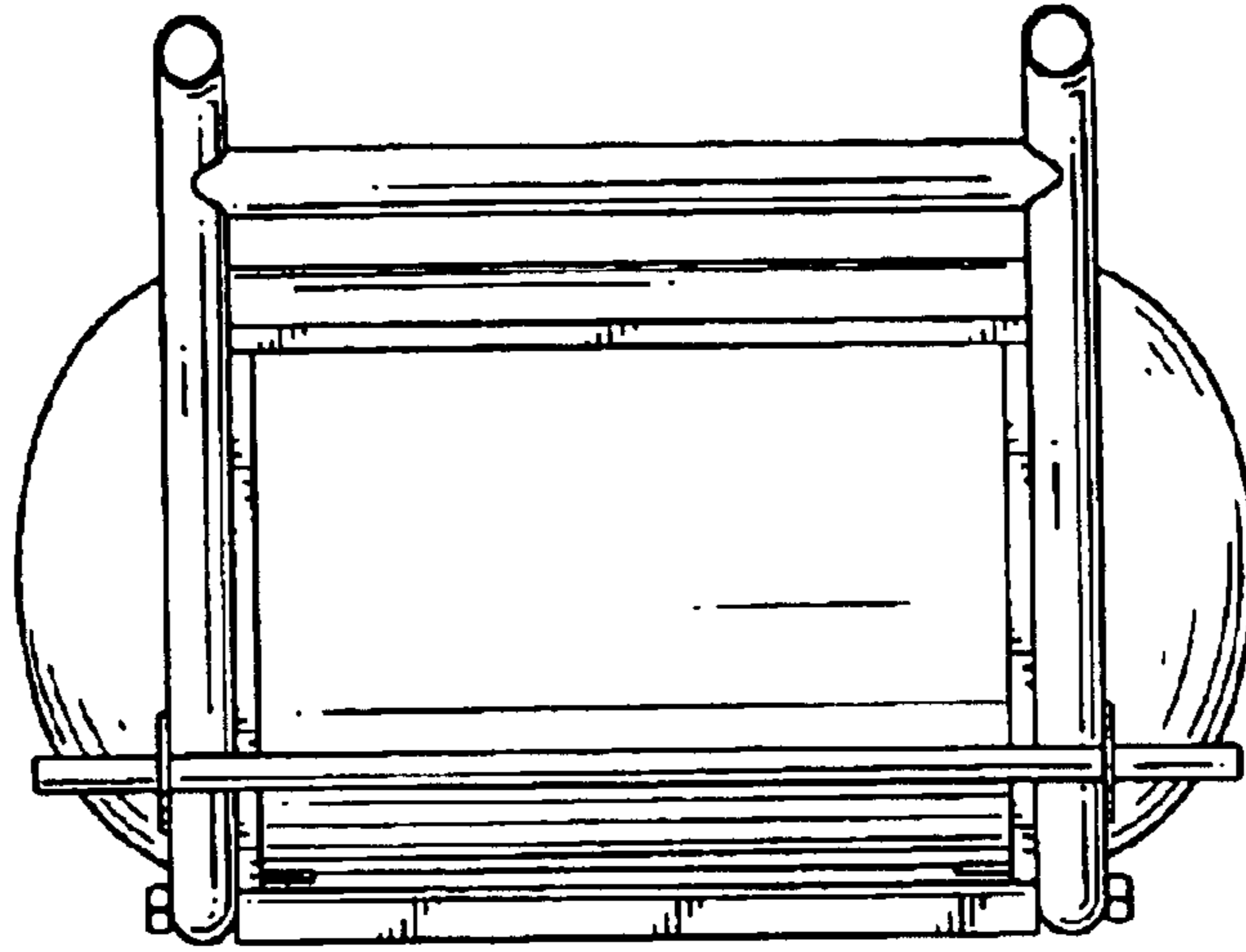


FIG. 3

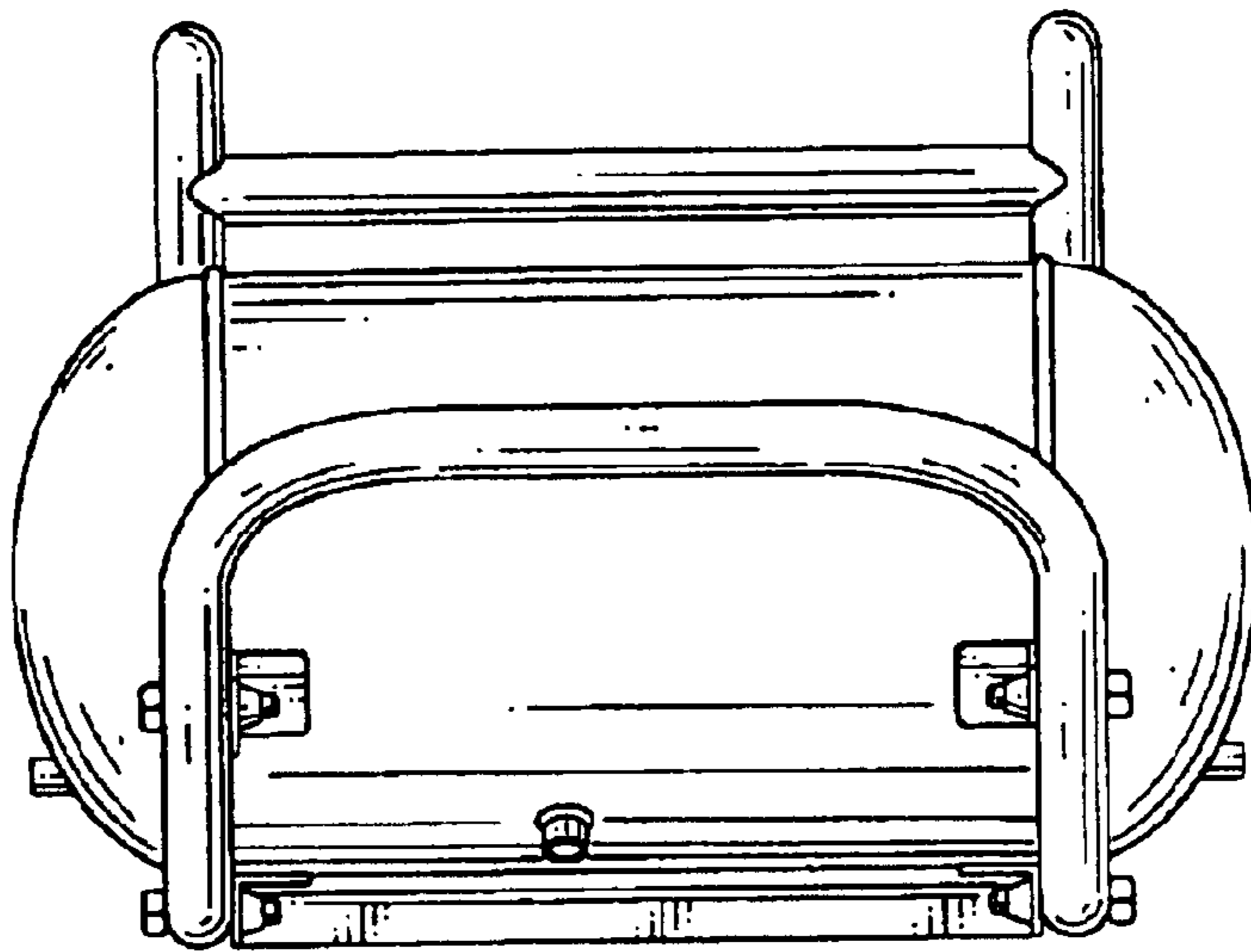


FIG. 2

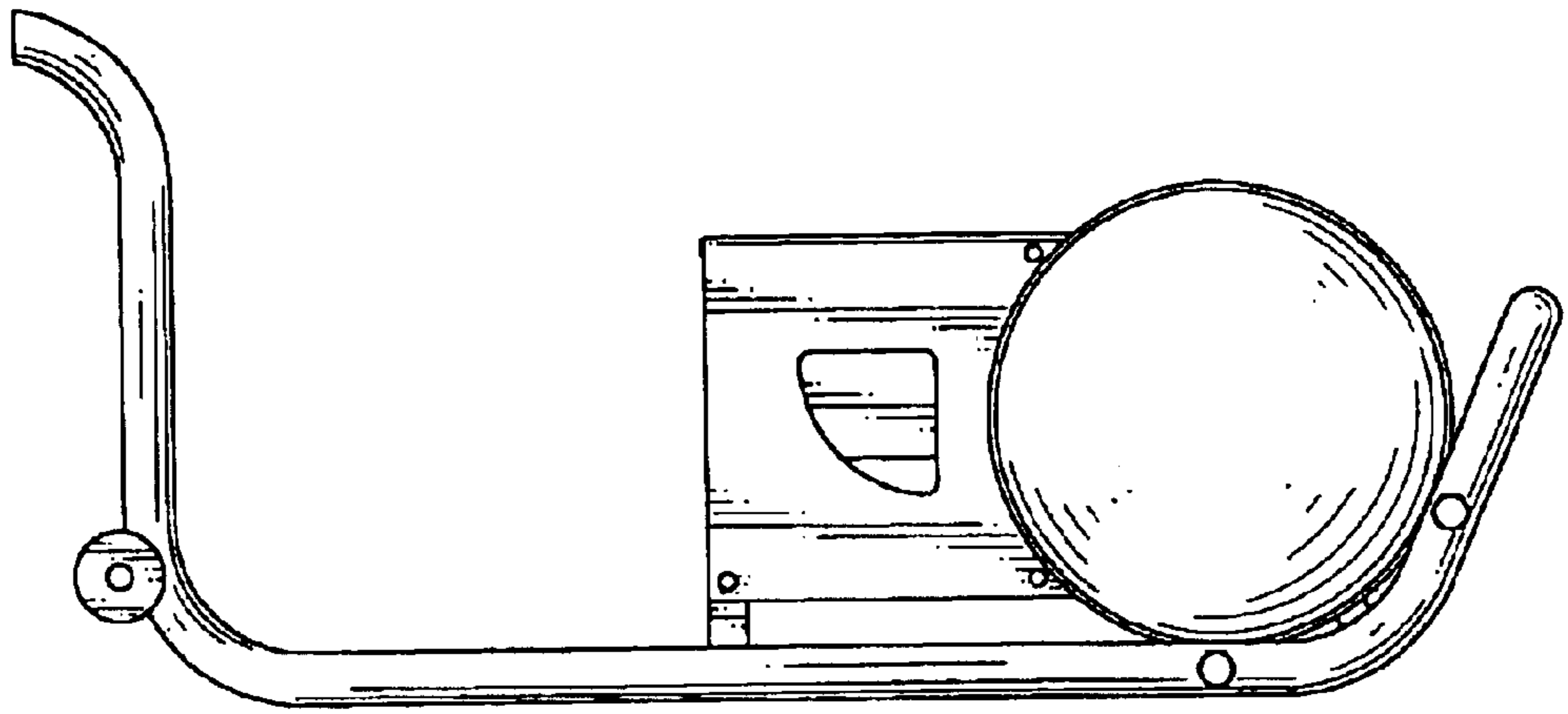


FIG. 4

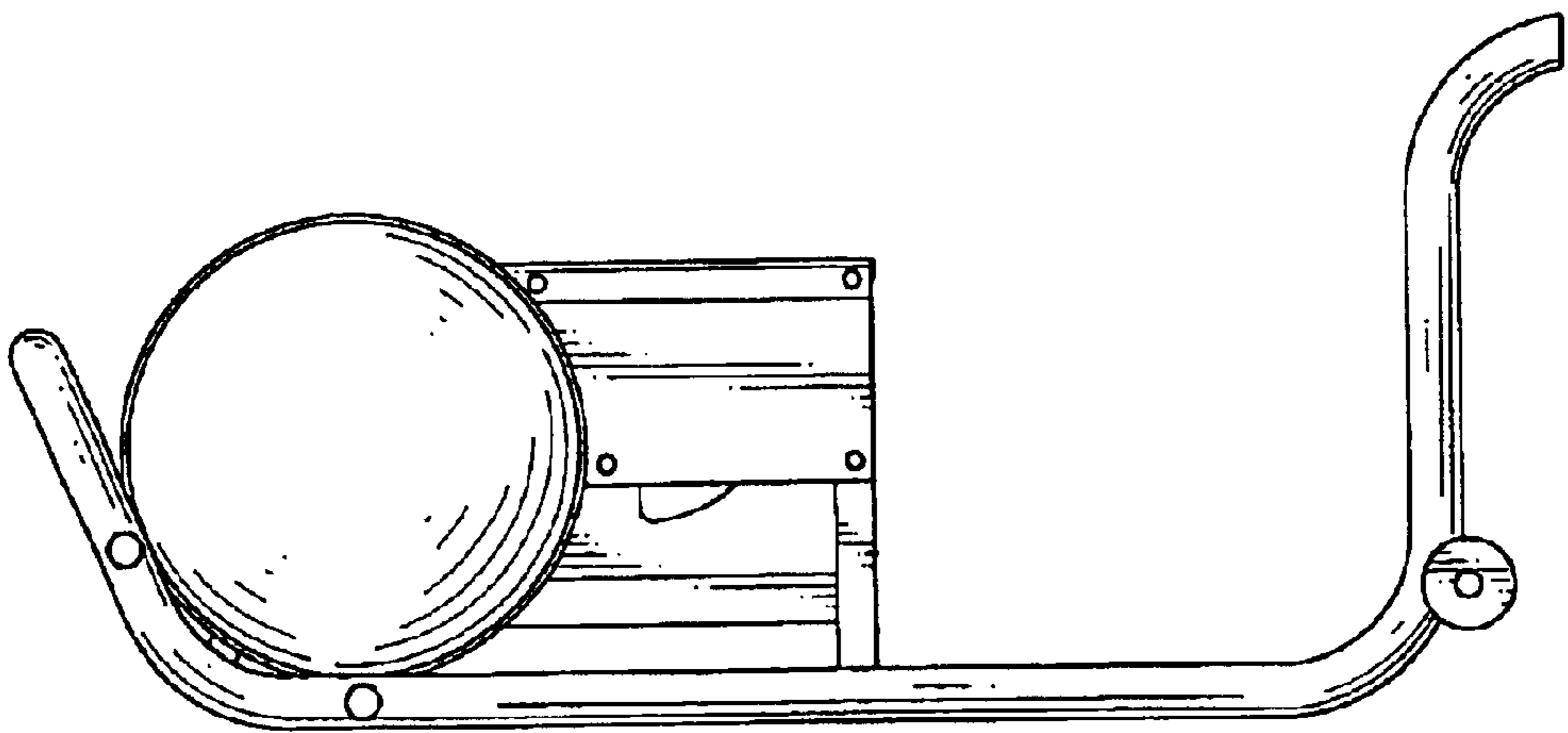


FIG. 5

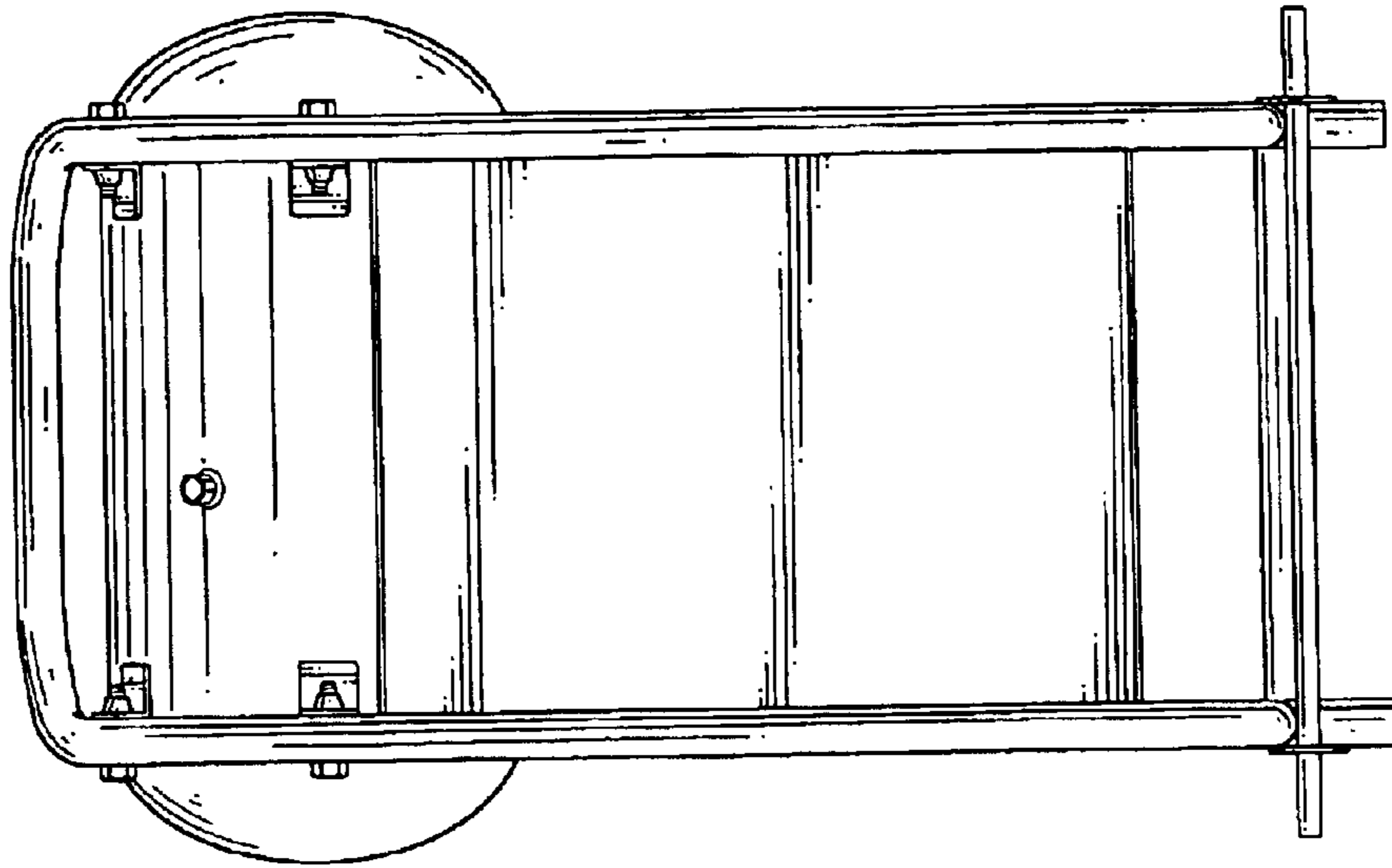


FIG. 6

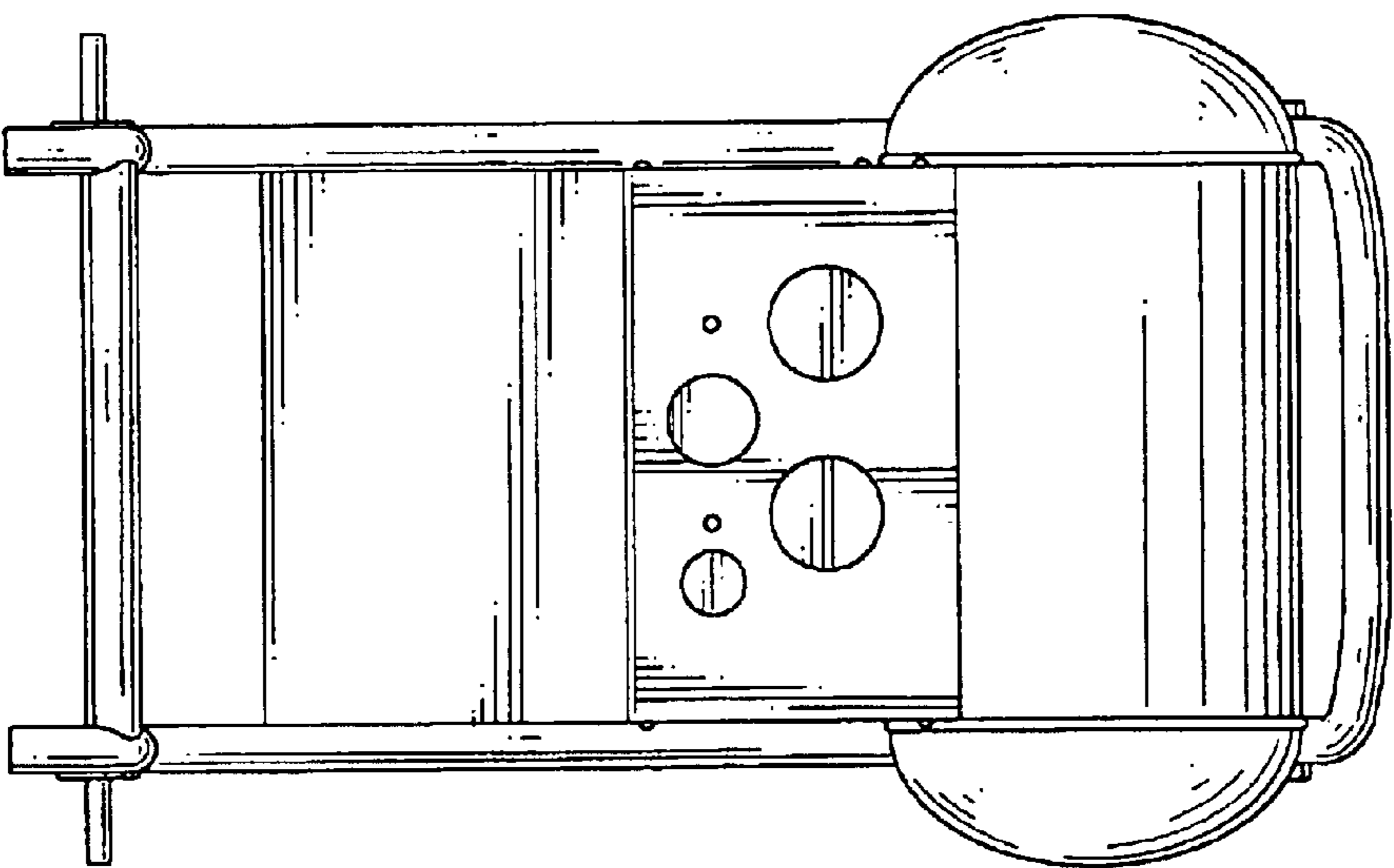


FIG. 7

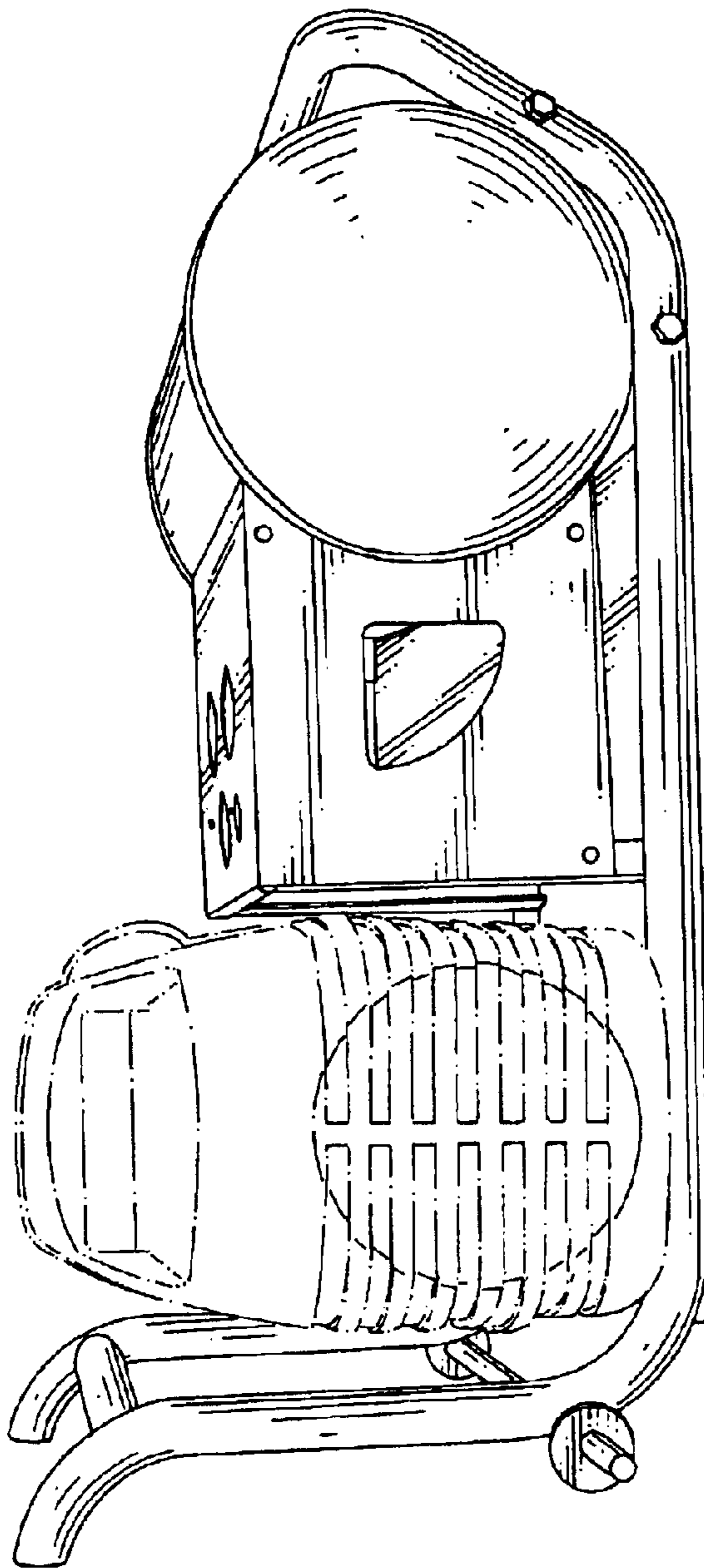


FIG. 8