



US00D491625S

(12) **United States Design Patent**
Hsiao

(10) **Patent No.:** **US D491,625 S**

(45) **Date of Patent:** **** Jun. 15, 2004**

(54) **GAS TANK WITH A STAND**

D279,402 S * 6/1985 Gibson D23/204

(76) Inventor: **Eming Hsiao**, No. 427, Sec. 2,
Doou-Chung Rd., Tien-Chung,
Chang-Hwa (TW)

* cited by examiner

Primary Examiner—Robin V. Taylor

(74) *Attorney, Agent, or Firm*—William E. Pelton, Esq.

(**) Term: **14 Years**

(57) **CLAIM**

(21) Appl. No.: **29/186,692**

The ornamental design for a gas tank with a stand, as shown.

(22) Filed: **Jul. 21, 2003**

DESCRIPTION

(51) **LOC (7) Cl.** **23-01**

FIG. 1 is a perspective view of the gas tank with a stand showing my new design;

(52) **U.S. Cl.** **D23/202**

FIG. 2 is a front elevational view thereof;

(58) **Field of Search** D23/202-5; 220/562,
220/565, 581-2, 4.12, 560.07, 682, 631

FIG. 3 is a rear elevational view thereof;

FIG. 4 is a left side view thereof;

(56) **References Cited**

FIG. 5 is a right side view thereof;

U.S. PATENT DOCUMENTS

FIG. 6 is a top plane view thereof; and,

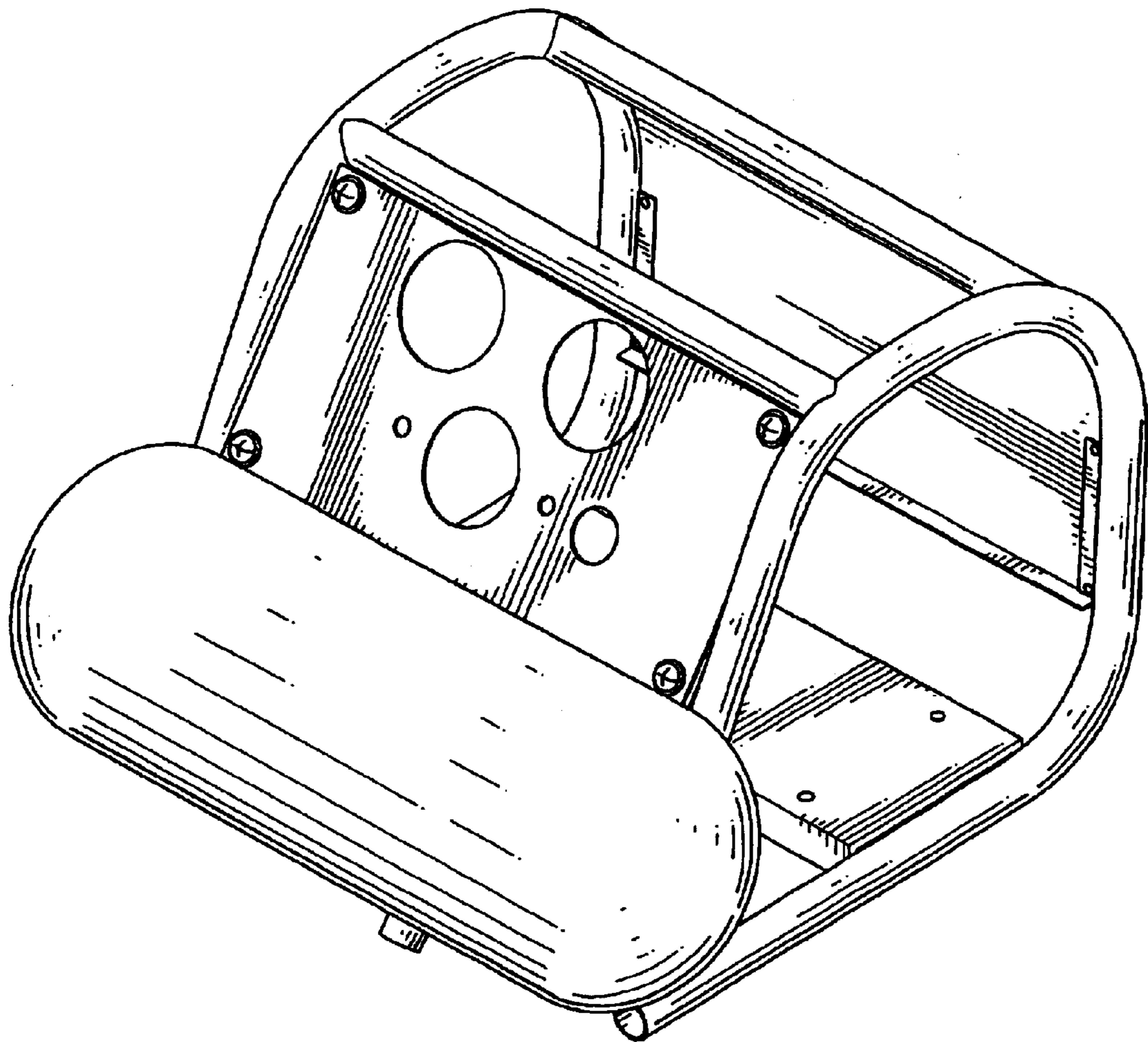
FIG. 7 is a bottom plane view thereof.

2,890,812 A * 6/1959 Vorwerk 220/628

4,486,044 A * 12/1984 Gordon et al. 294/31.2

D278,457 S * 4/1985 Schroder et al. D23/205

1 Claim, 4 Drawing Sheets



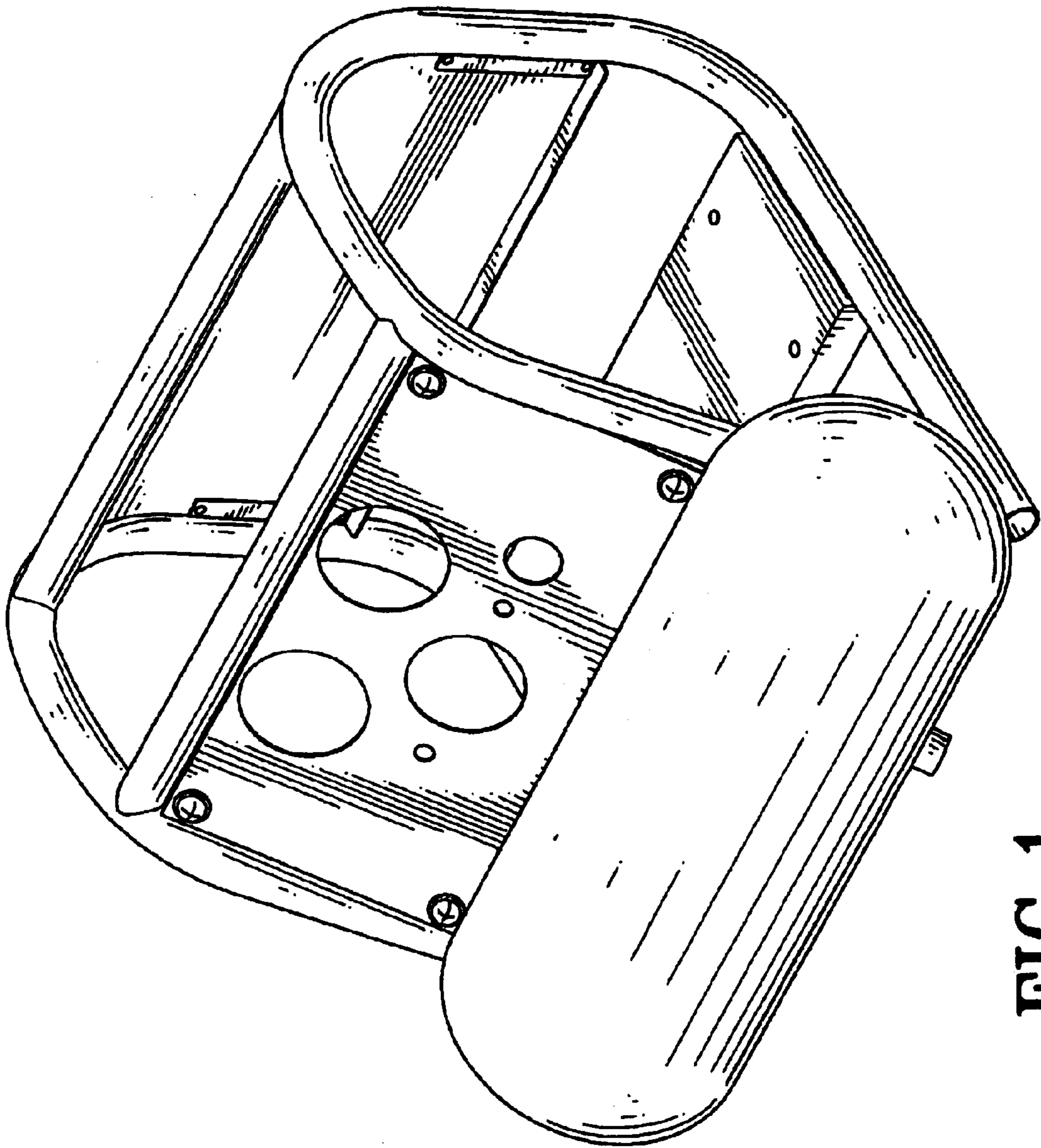


FIG. 1

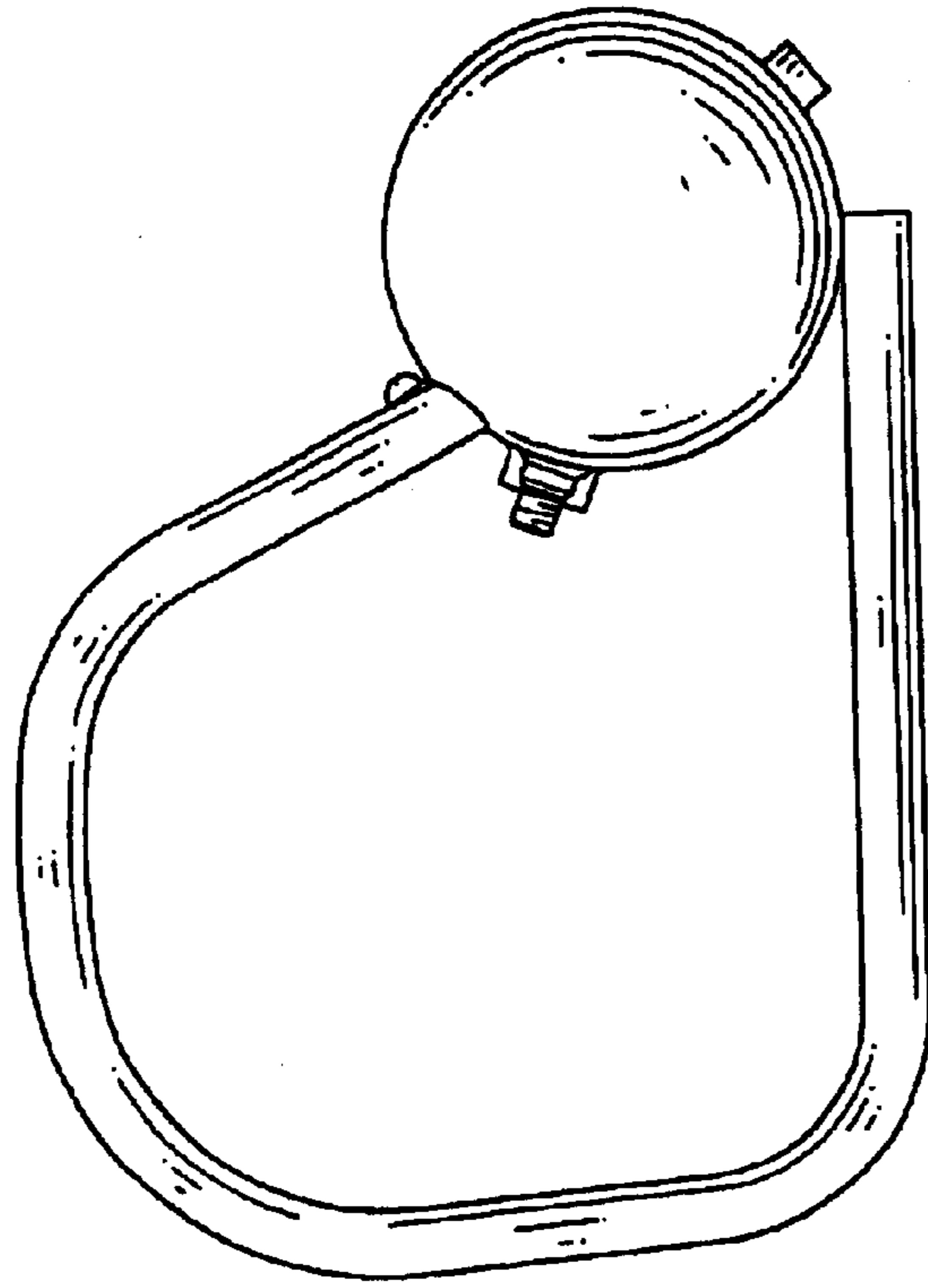


FIG. 3

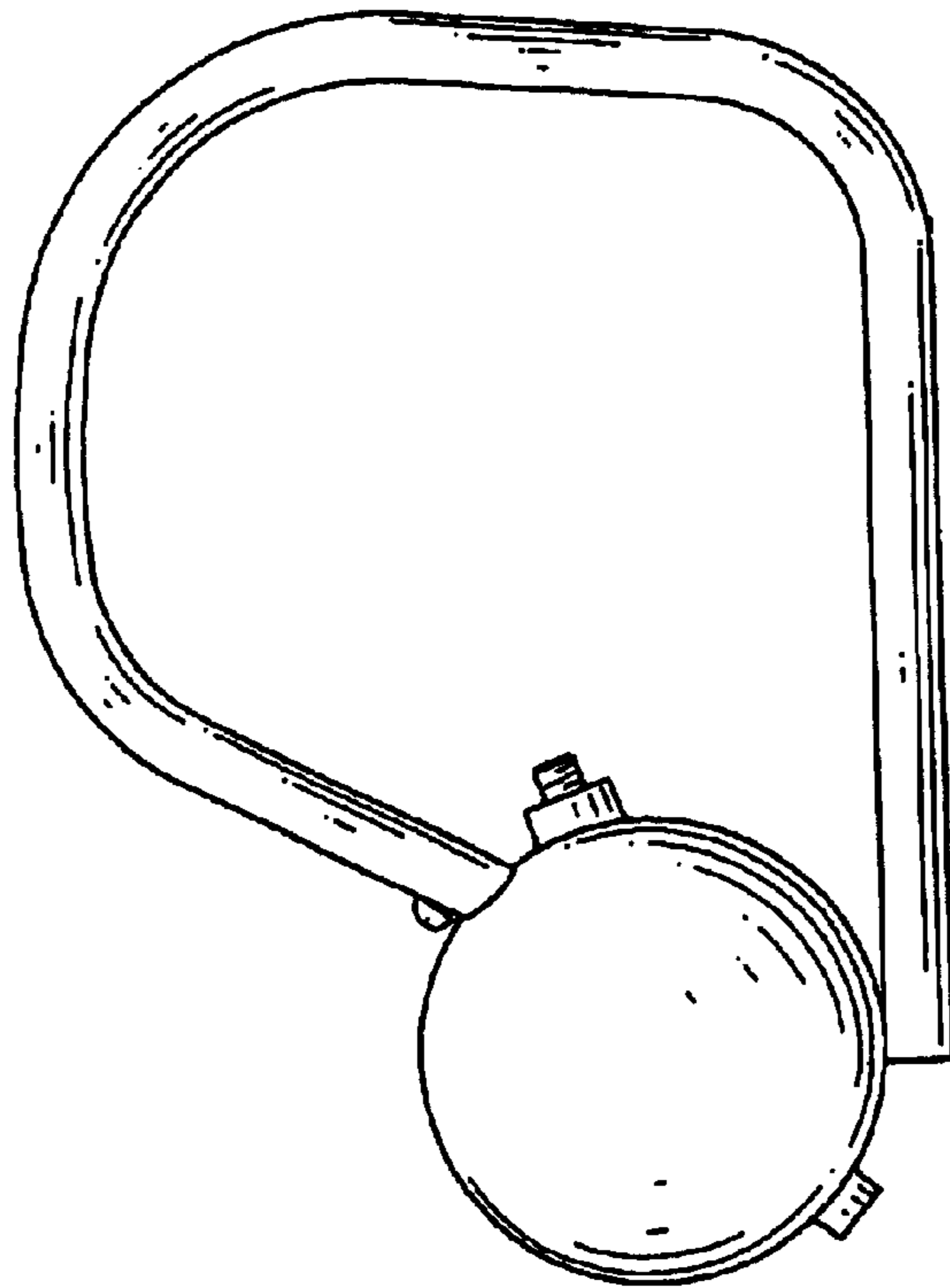


FIG. 2

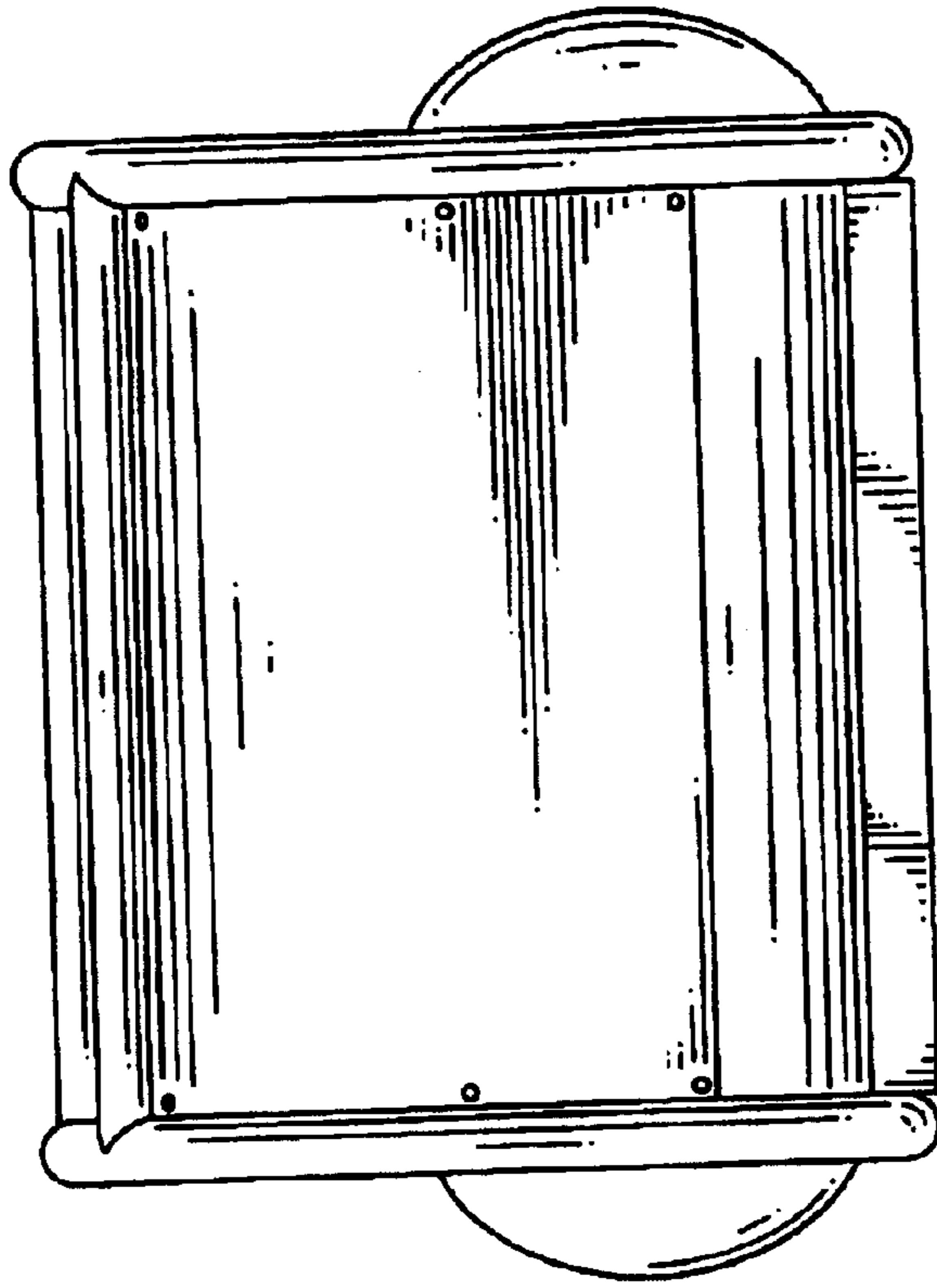


FIG. 5

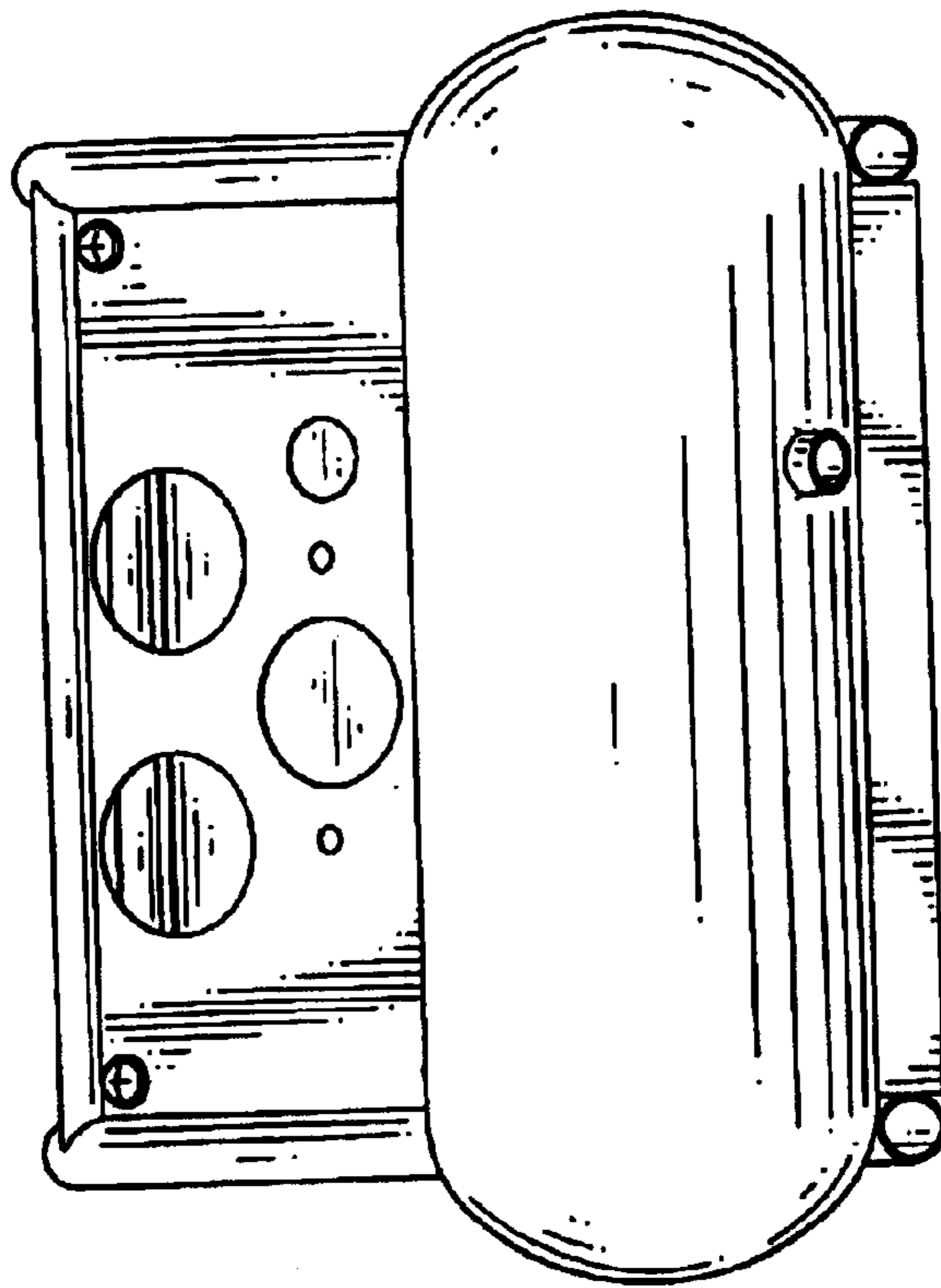


FIG. 4

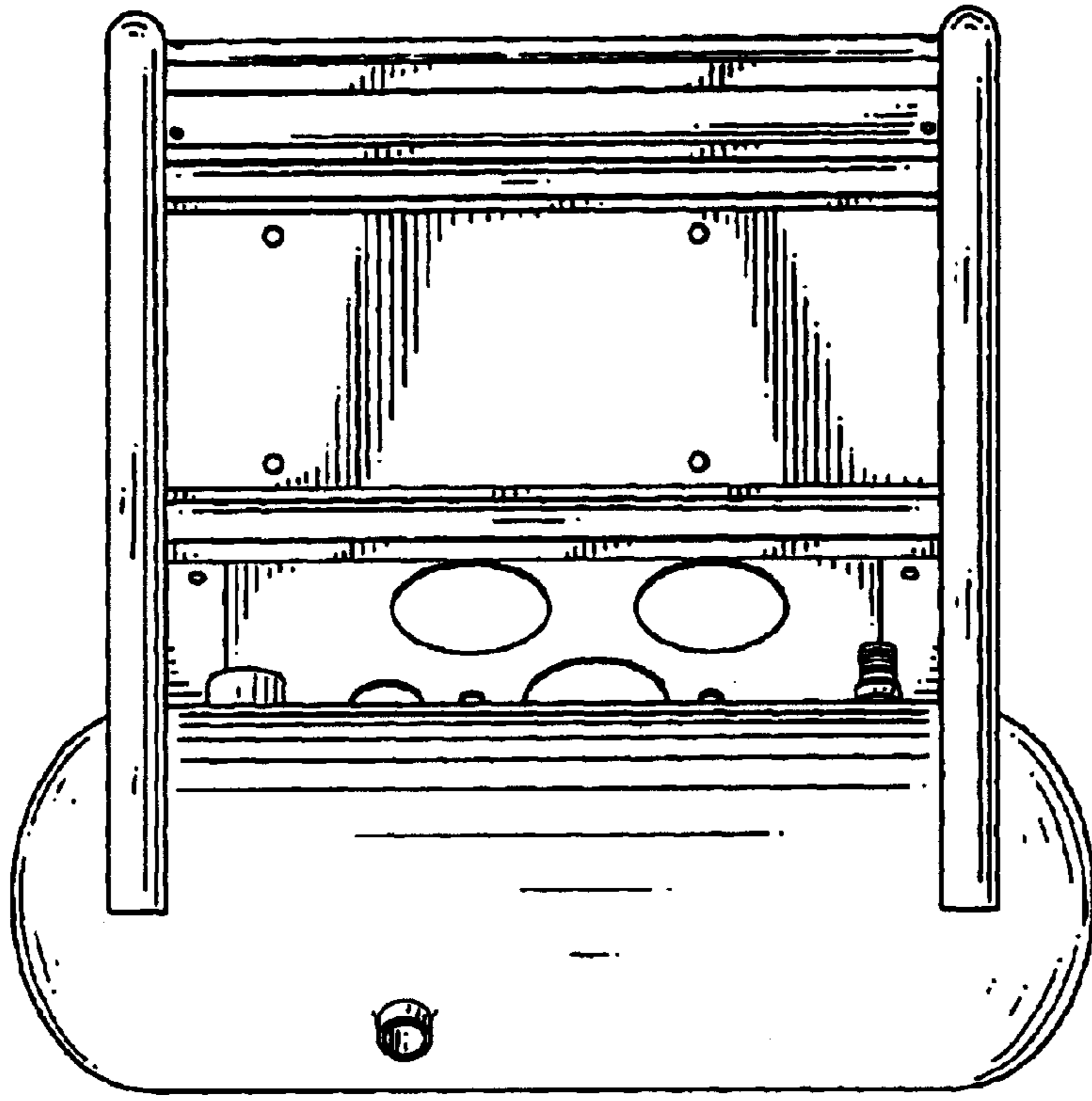


FIG. 7

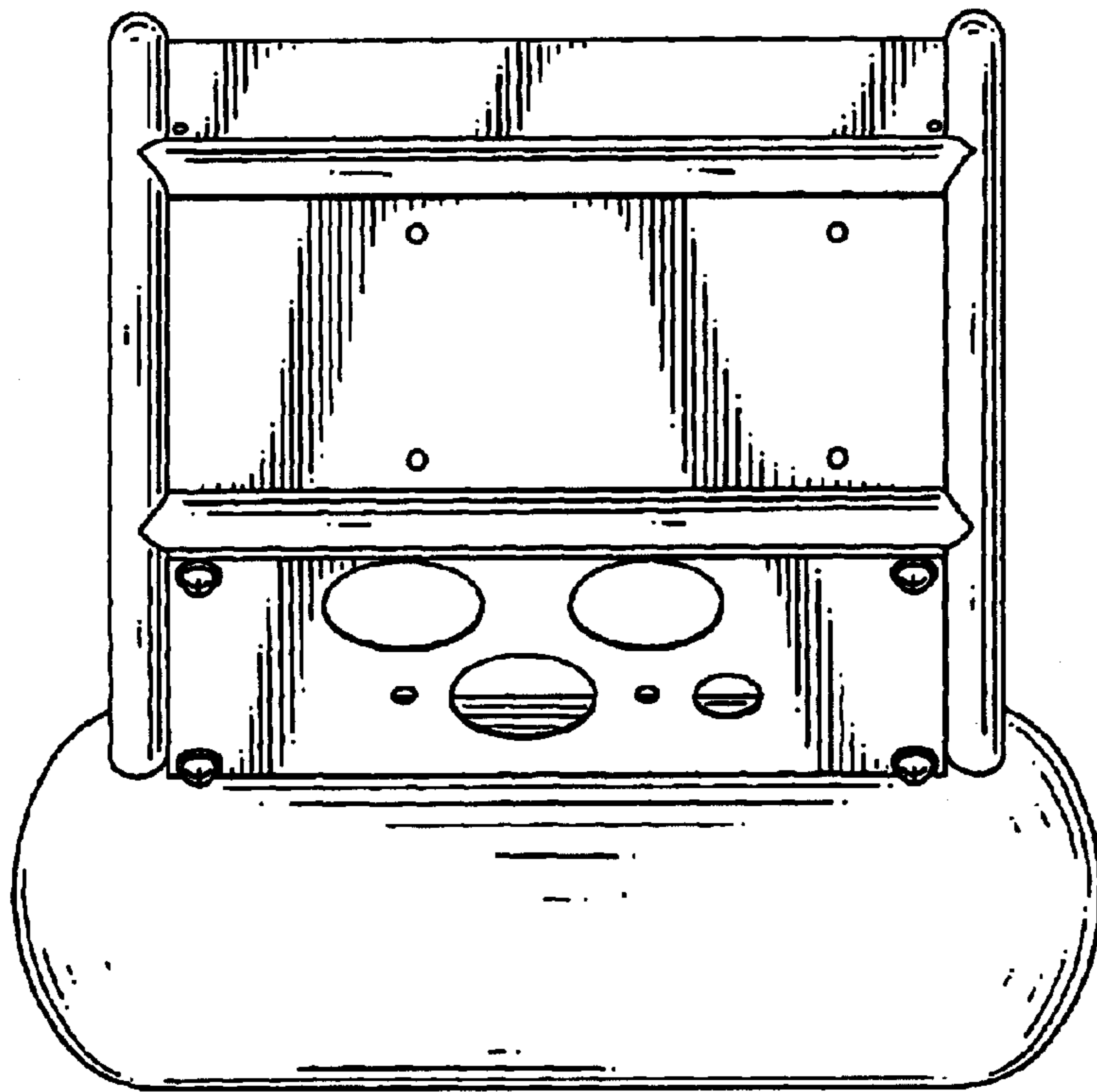


FIG. 6