



US00D491618S

(12) **United States Design Patent**  
**Kuo et al.**

(10) **Patent No.:** **US D491,618 S**

(45) **Date of Patent:** **\*\* Jun. 15, 2004**

(54) **EXERCISE MACHINE**

(76) Inventors: **Johnson Kuo**, 11F-1C, No. 342,  
Keelung Rd., Sec. 1, Taipei (TW);  
**Chin-Lien Huang**, 2F, No. 14, Ning  
Hsia E. 5St., Taichung (TW)

(\*\*) Term: **14 Years**

(21) Appl. No.: **29/187,582**

(22) Filed: **Aug. 5, 2003**

(51) **LOC (7) Cl.** ..... **21-02**

(52) **U.S. Cl.** ..... **D21/676; D21/690**

(58) **Field of Search** ..... D21/673, 674,  
D21/675, 676, 686, 690; 482/95, 96, 130,  
133, 142, 145

(56) **References Cited**

**U.S. PATENT DOCUMENTS**

D380,024 S	*	6/1997	Novak et al.	.....	D21/690
D425,153 S	*	5/2000	Grider	.....	D21/690
6,152,866 A	*	11/2000	Kuo	.....	482/142
6,162,153 A	*	12/2000	Perez et al.	.....	482/96
D438,578 S	*	3/2001	Kuo	.....	D21/690
6,533,710 B2	*	3/2003	Lin et al.	.....	482/123

\* cited by examiner

*Primary Examiner*—Philip S. Hyder  
(74) *Attorney, Agent, or Firm*—Browdy and Neimark,  
P.L.L.C.

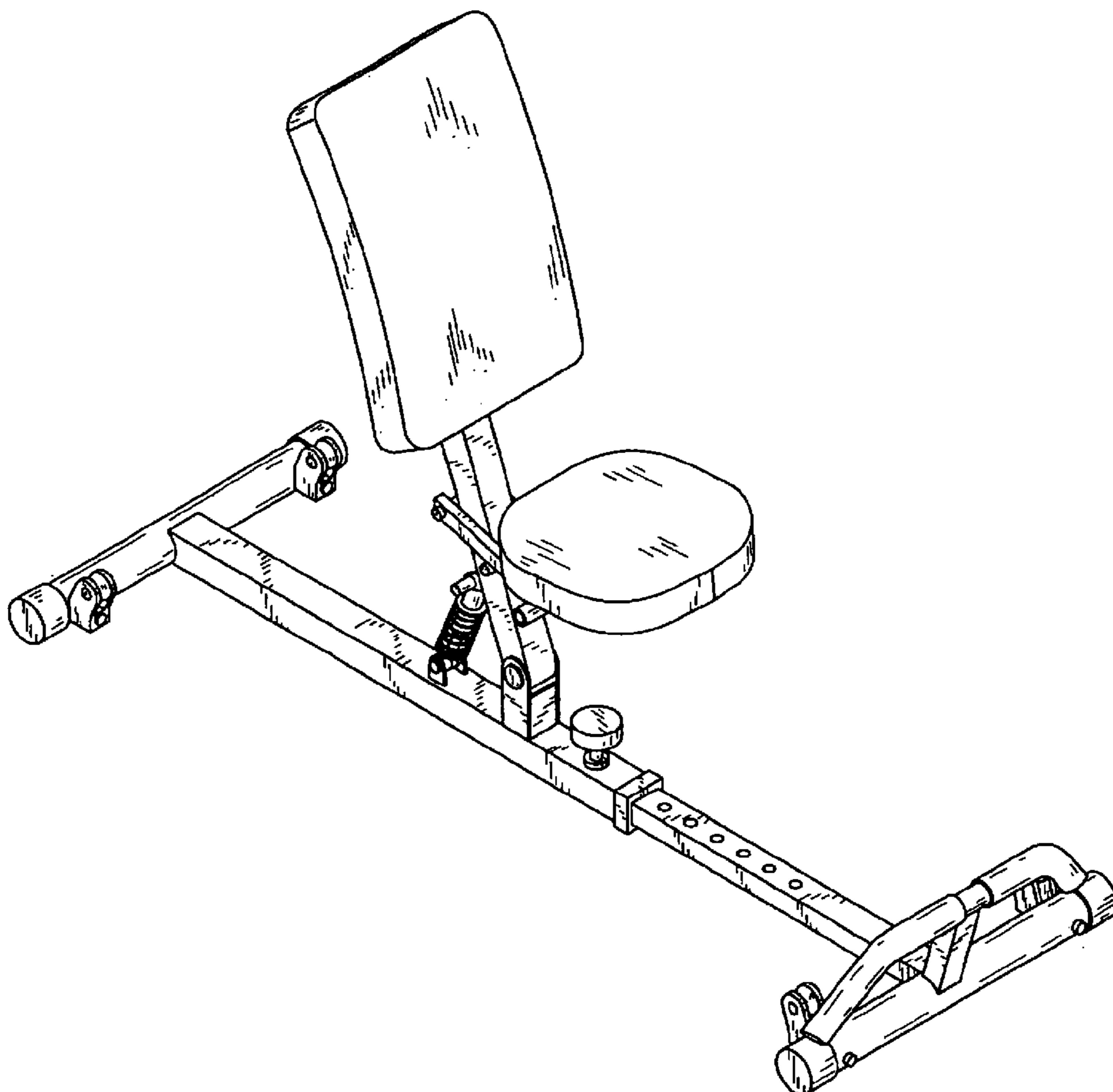
(57) **CLAIM**

The ornamental design for a “exercise machine”, as shown and described.

**DESCRIPTION**

FIG. 1 shows a perspective view of the present design;  
FIG. 2 shows a right side elevational view of the present design;  
FIG. 3 shows a top plan view of the present design;  
FIG. 4 shows a front elevational view of the present design;  
FIG. 5 shows a bottom plan view of the present design;  
FIG. 6 shows a left side elevational view of the present design;  
FIG. 7 shows a rear elevational view of the present design;  
and,  
FIG. 8 shows a perspective view of the present design, wherein the base is in a retracted position.

**1 Claim, 5 Drawing Sheets**



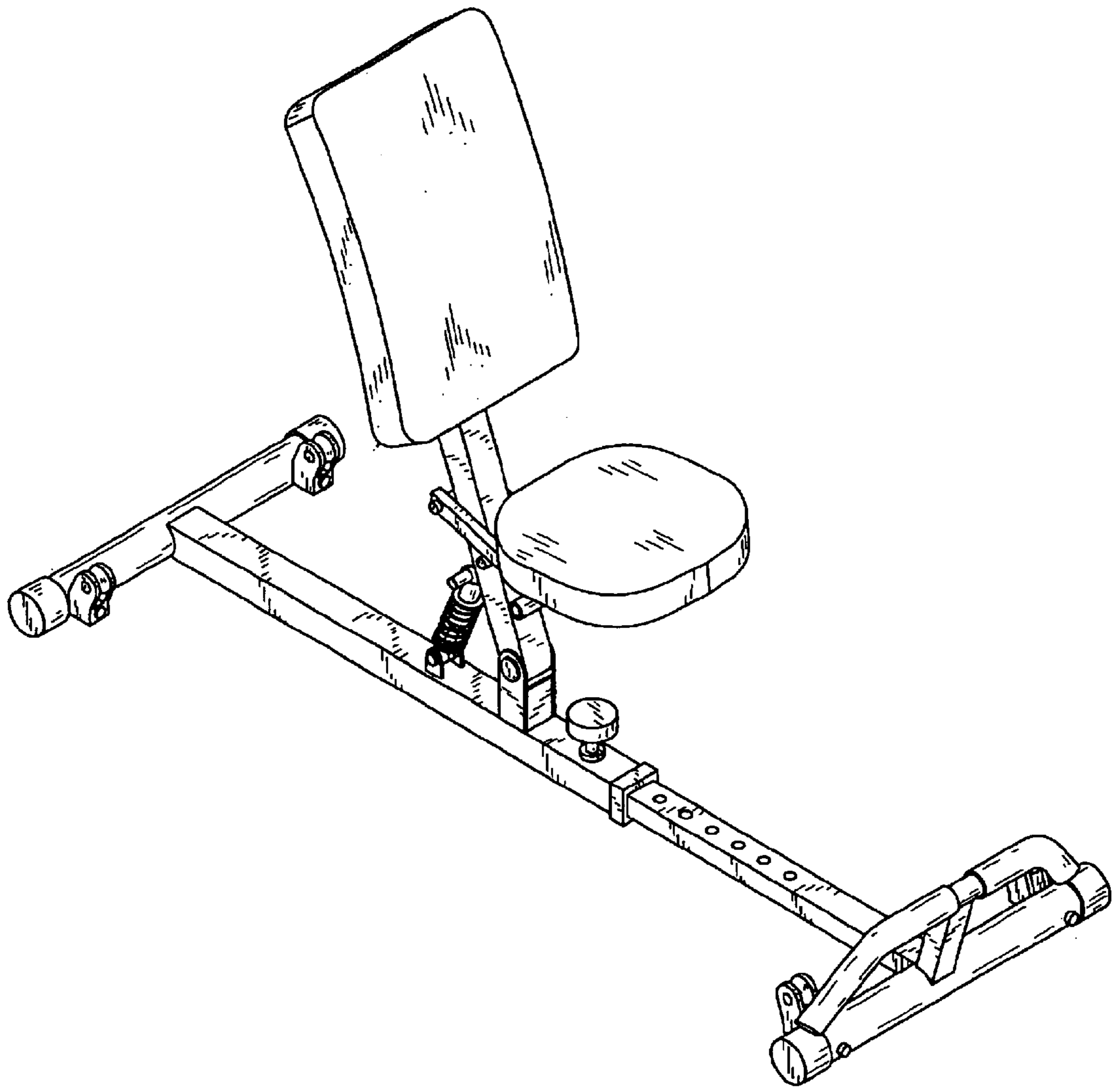


FIG. 1

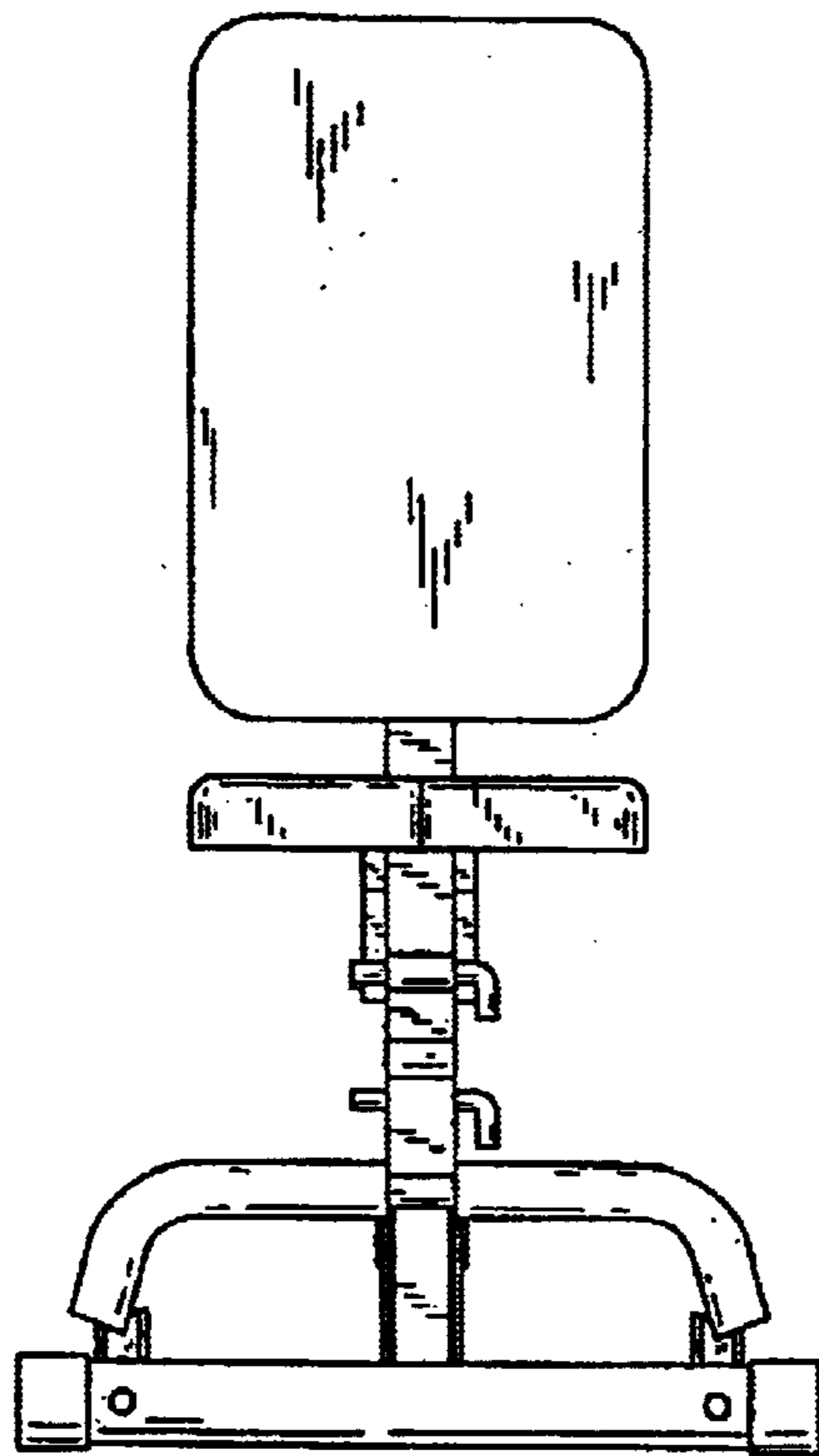


FIG. 2

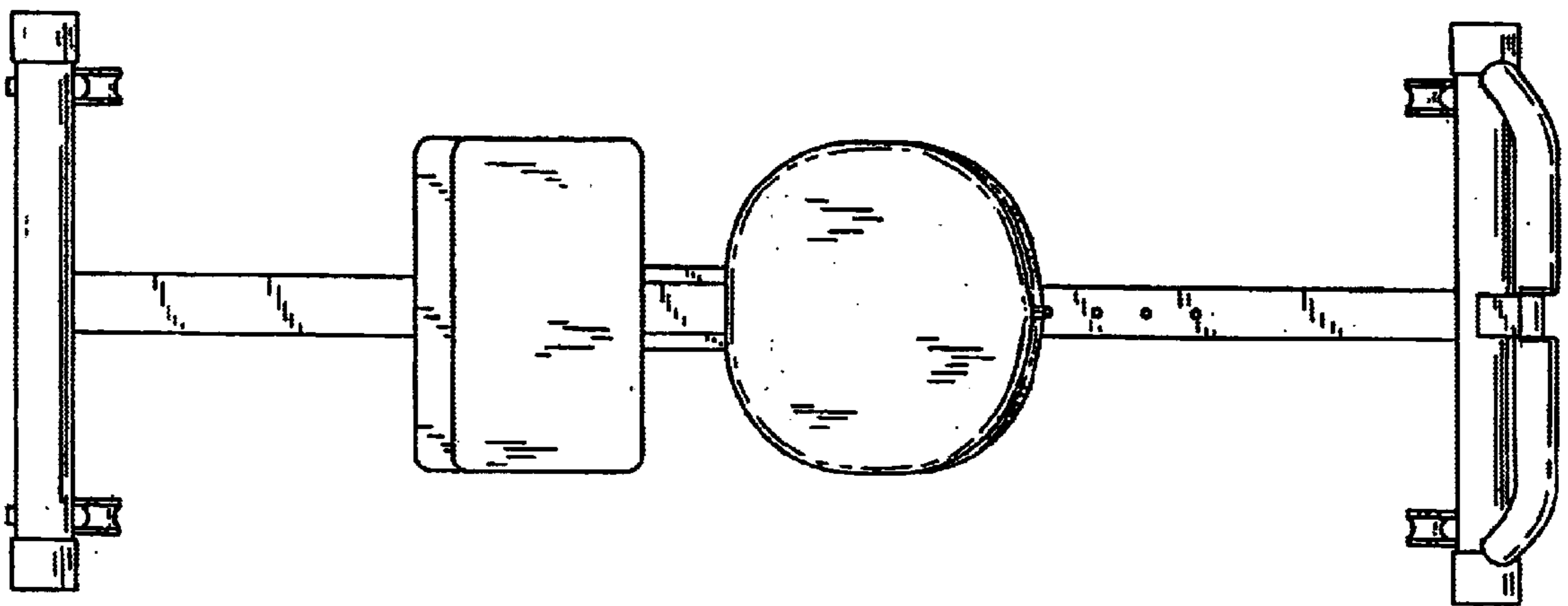


FIG. 3

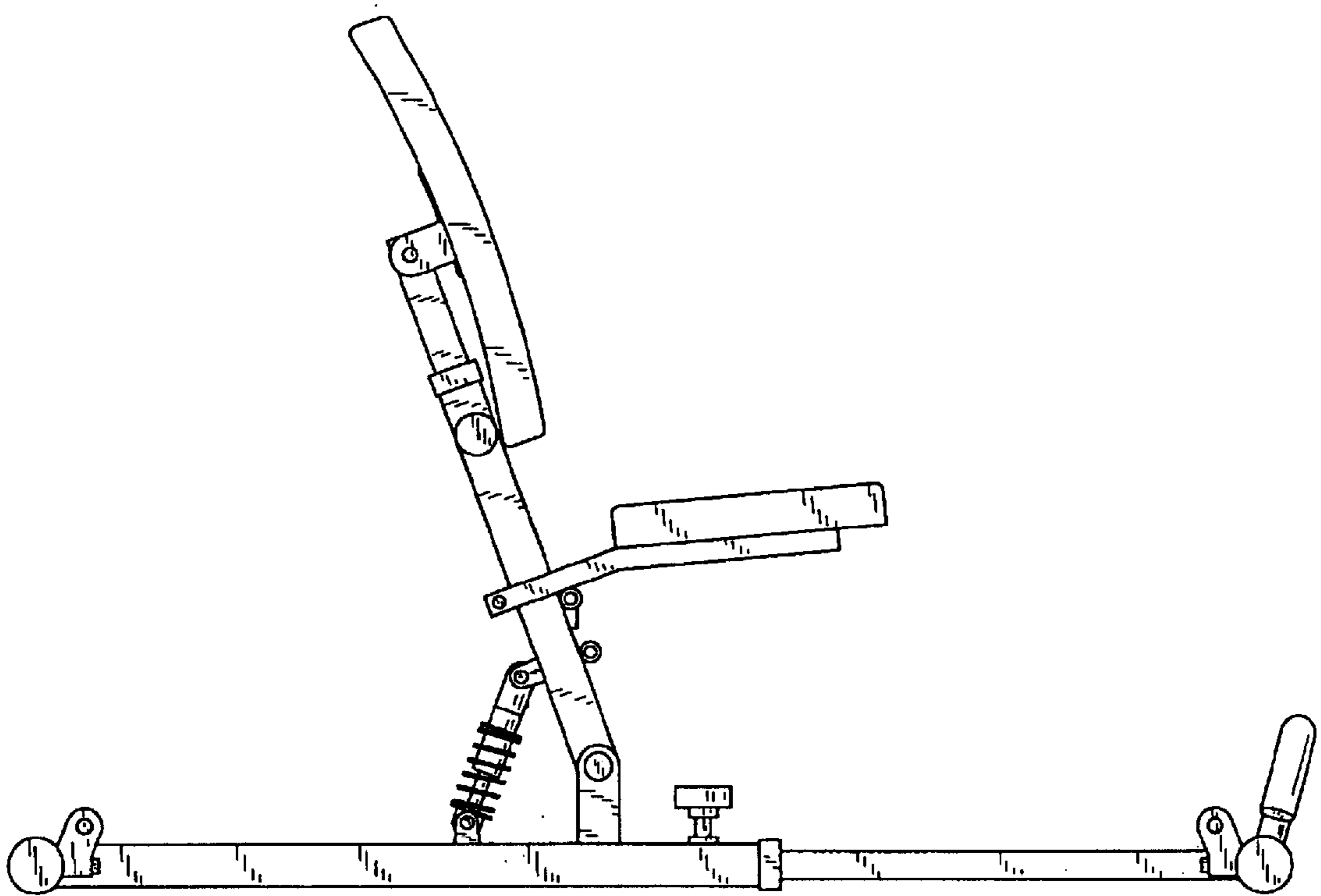


FIG. 4

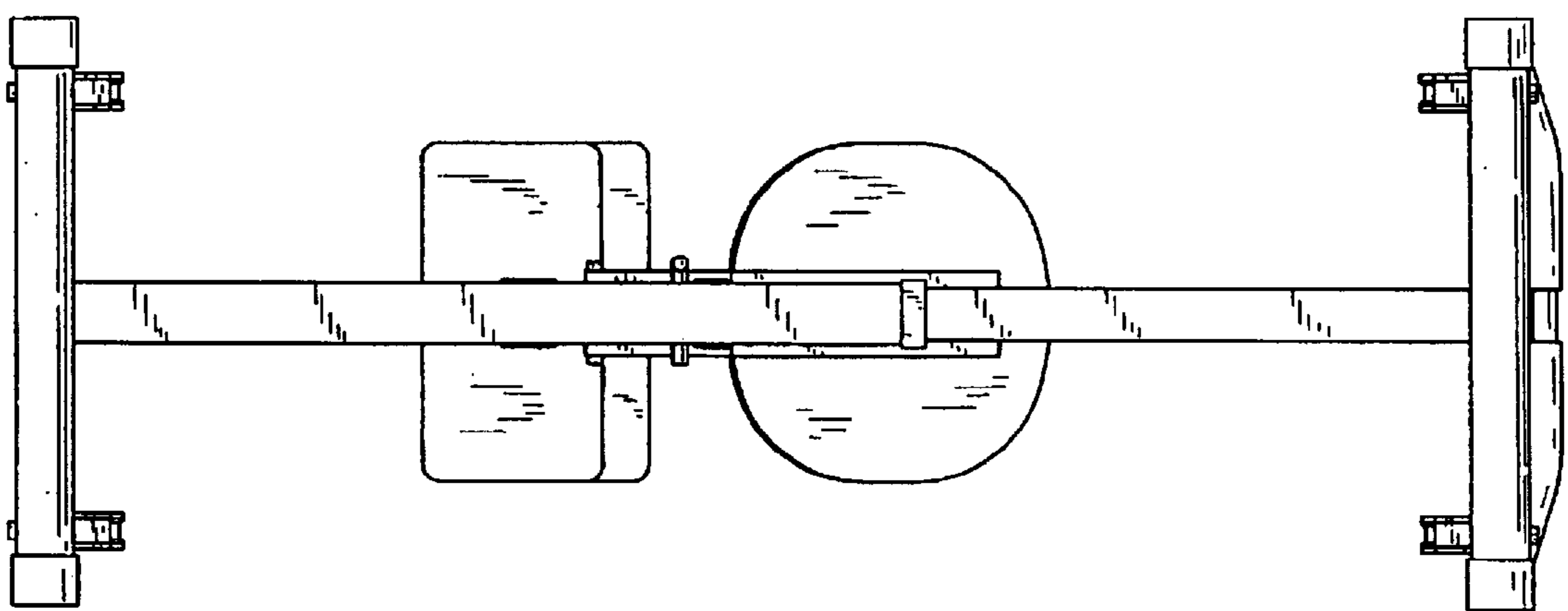


FIG. 5

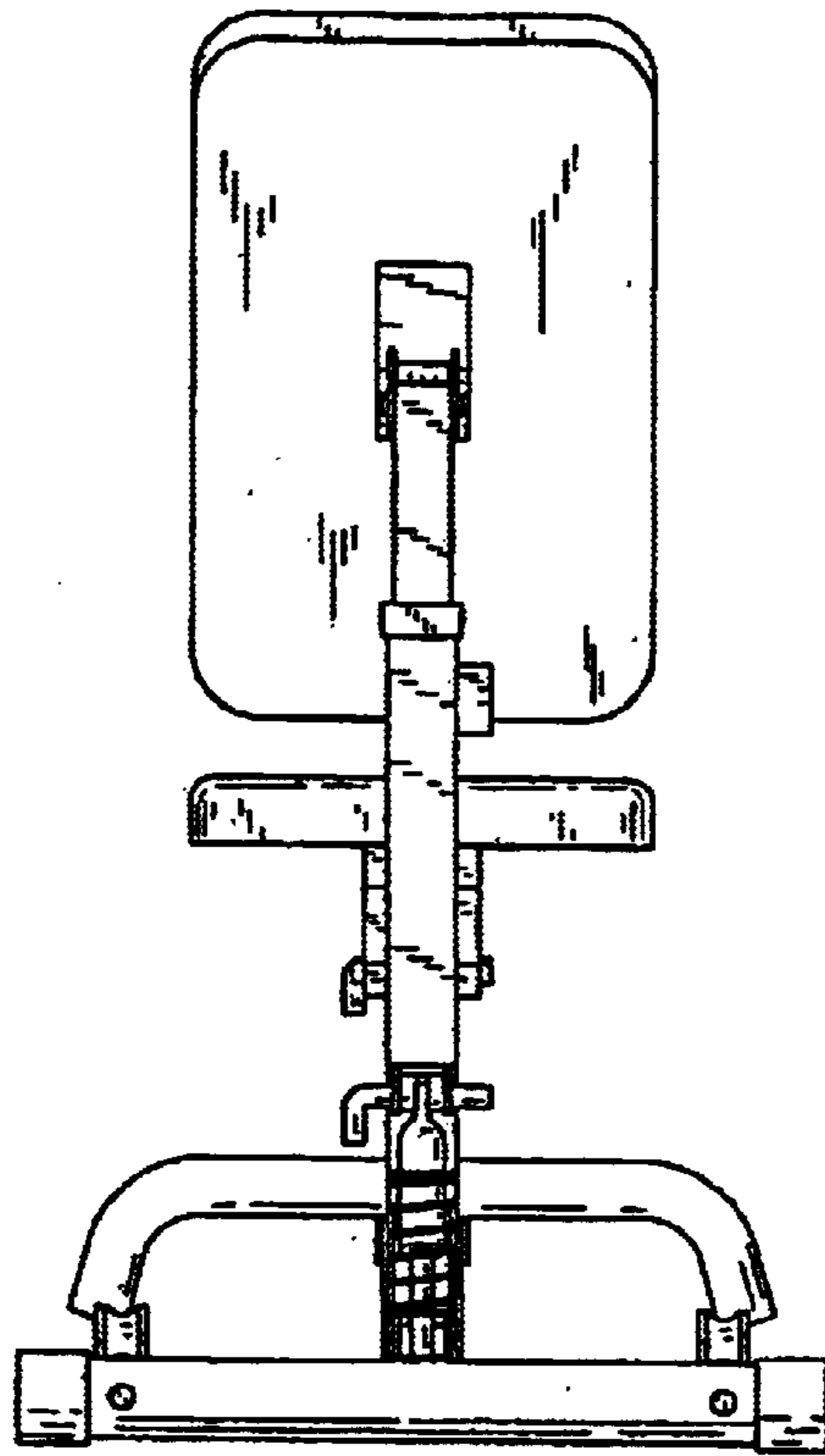


FIG. 6

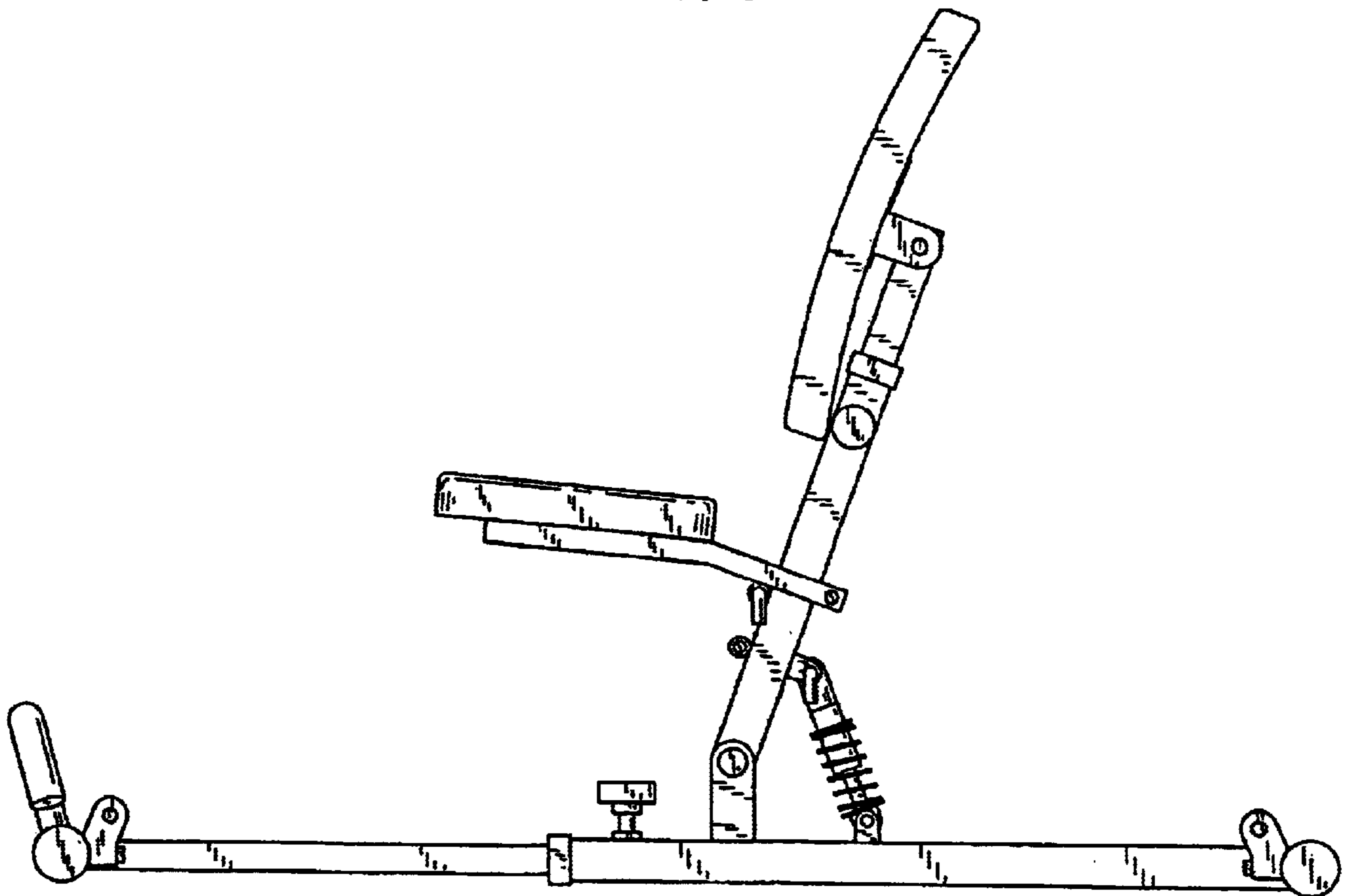


FIG. 7

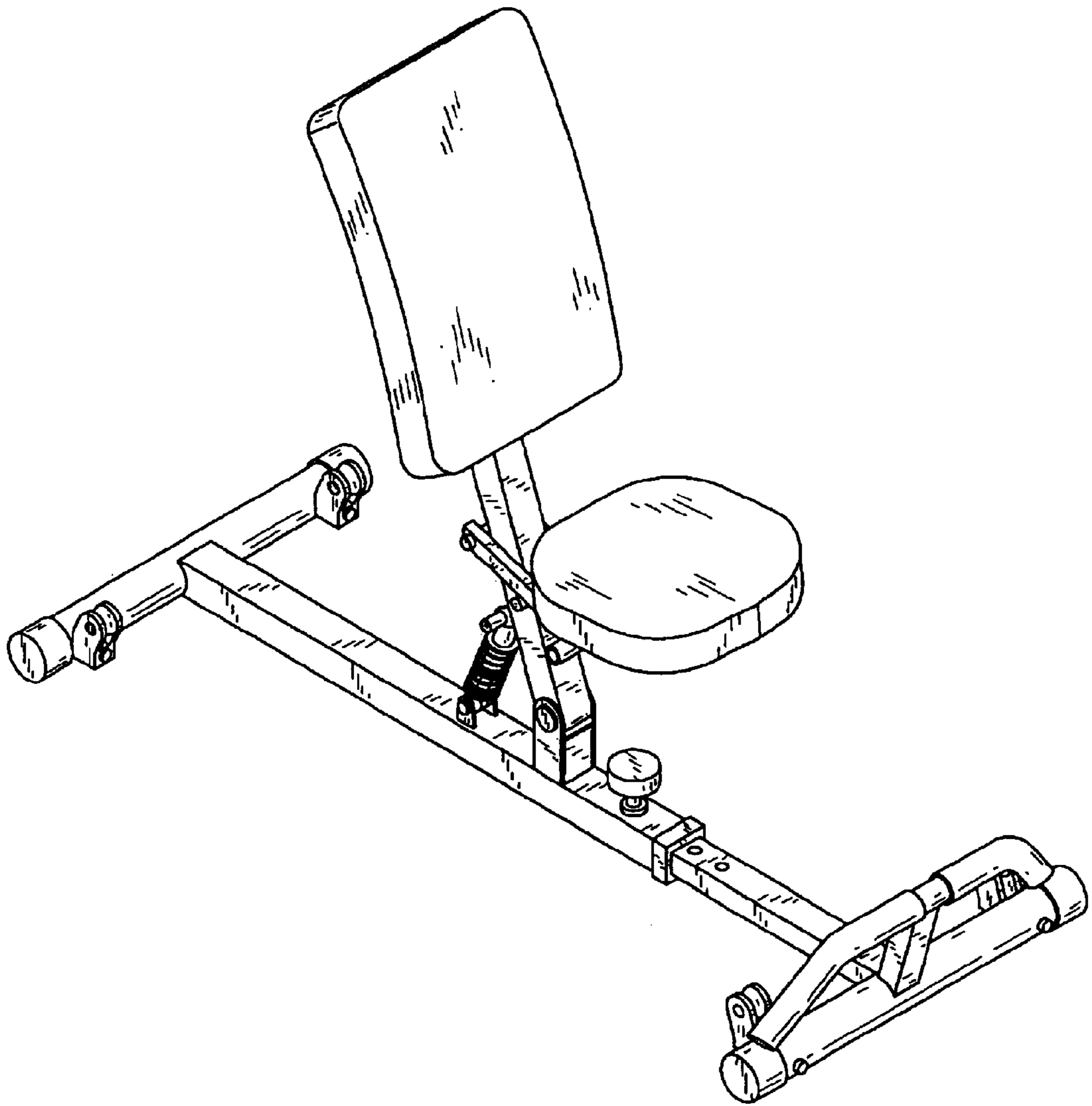


FIG. 8