



US00D491615S

(12) **United States Design Patent**
Lawson, Jr.

(10) **Patent No.:** **US D491,615 S**
(45) **Date of Patent:** **** Jun. 15, 2004**

(54) **MINIATURIZED MOTOR VEHICLE WITH STORAGE COMPARTMENT**

(76) **Inventor:** **William M. Lawson, Jr., P.O. Box 45020, Phoenix, AZ (US) 85064-5020**

(**) **Term:** **14 Years**

(21) **Appl. No.:** **29/187,138**

(22) **Filed:** **Jul. 28, 2003**

(51) **LOC (7) Cl.** **21-01**

(52) **U.S. Cl.** **D21/433**

(58) **Field of Search** D21/419-435, D21/533-539, 548-551; D12/1, 16, 87, 88; 446/424-425, 71, 75-76, 427, 450, 465, 470; 280/87.01, 87.021, 781, 91.1; 180/214, 56, 291, 231, 311, 6.5, 357, 209, 208, 65.1, 312; 296/186, 210, 102, 37.7, 177

(56) **References Cited**

U.S. PATENT DOCUMENTS

D135,883 S	*	6/1943	Williams	D21/433
3,684,046 A		8/1972	Begleiter		
D227,244 S	*	6/1973	Keene	D12/16
D227,285 S	*	6/1973	Stobar	D12/87
3,799,283 A		3/1974	Freber		
3,829,117 A		8/1974	Park		
3,842,928 A		10/1974	Kishi		
4,475,618 A		10/1984	Kennedy et al.		
4,535,869 A		8/1985	Tsutsumikoshi et al.		
4,562,893 A		1/1986	Cunard		
4,629,023 A		12/1986	Carpanelli et al.		
4,643,695 A		2/1987	Kennedy et al.		
4,682,668 A		7/1987	Salmon et al.		
5,036,938 A		8/1991	Blount et al.		
D338,244 S	*	8/1993	Gault	D21/433

D353,413 S	*	12/1994	Hamlin	D21/433
D365,312 S	*	12/1995	Mosetich et al.	D12/129
5,740,878 A		4/1998	Sala		
5,845,724 A		12/1998	Barrett		
5,950,257 A	*	9/1999	Smith et al.	446/71
5,984,356 A		11/1999	Uphaus		
6,026,923 A		2/2000	Uphaus		
6,105,982 A		8/2000	Howell et al.		

* cited by examiner

Primary Examiner—Raphael Barkai

(74) *Attorney, Agent, or Firm*—Cahill, von Hellens & Glazer P.L.C.

(57) **CLAIM**

The ornamental design for a miniaturized motor vehicle with storage compartment, as shown and described.

DESCRIPTION

FIG. 1 is a front top perspective view of my miniaturized motor vehicle with storage compartment showing my design; the steering bar assembly and the seat assembly do not form a part of my design and are shown in dashed lines; FIG. 2 is a top plan view of my miniaturized motor vehicle with storage compartment with the seat shown in dashed lines;

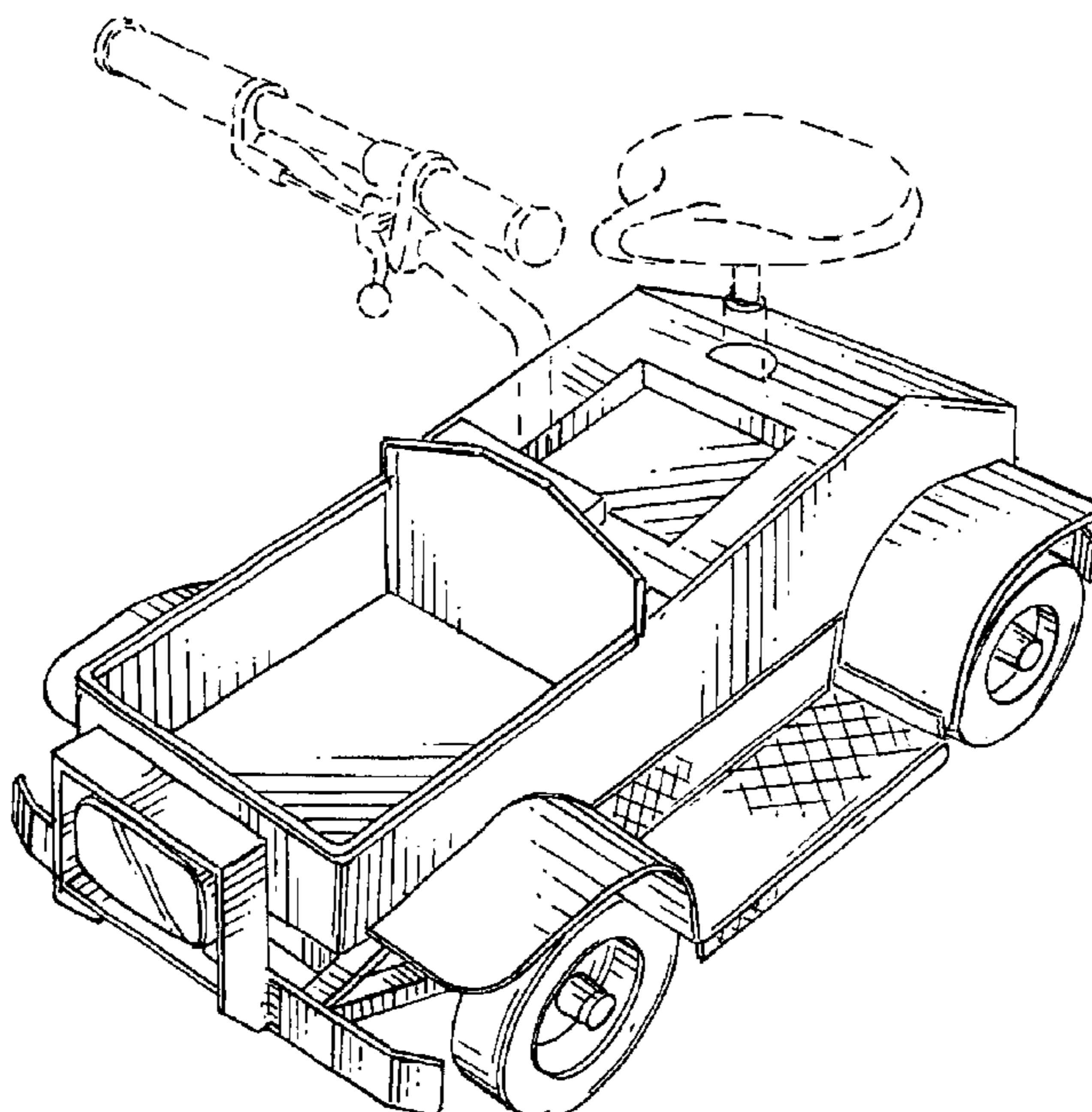
FIG. 3 is a right side elevational view thereof with the steering bar assembly and the seat assembly shown in dashed lines, the left side elevational view being a mirror image;

FIG. 4 is a bottom plan view thereof;

FIG. 5 is a front elevational view thereof and with the steering bar assembly and the seat assembly shown in dashed lines; and,

FIG. 6 is a rear elevational view thereof with a part of the seat assembly shown in dashed lines.

1 Claim, 3 Drawing Sheets



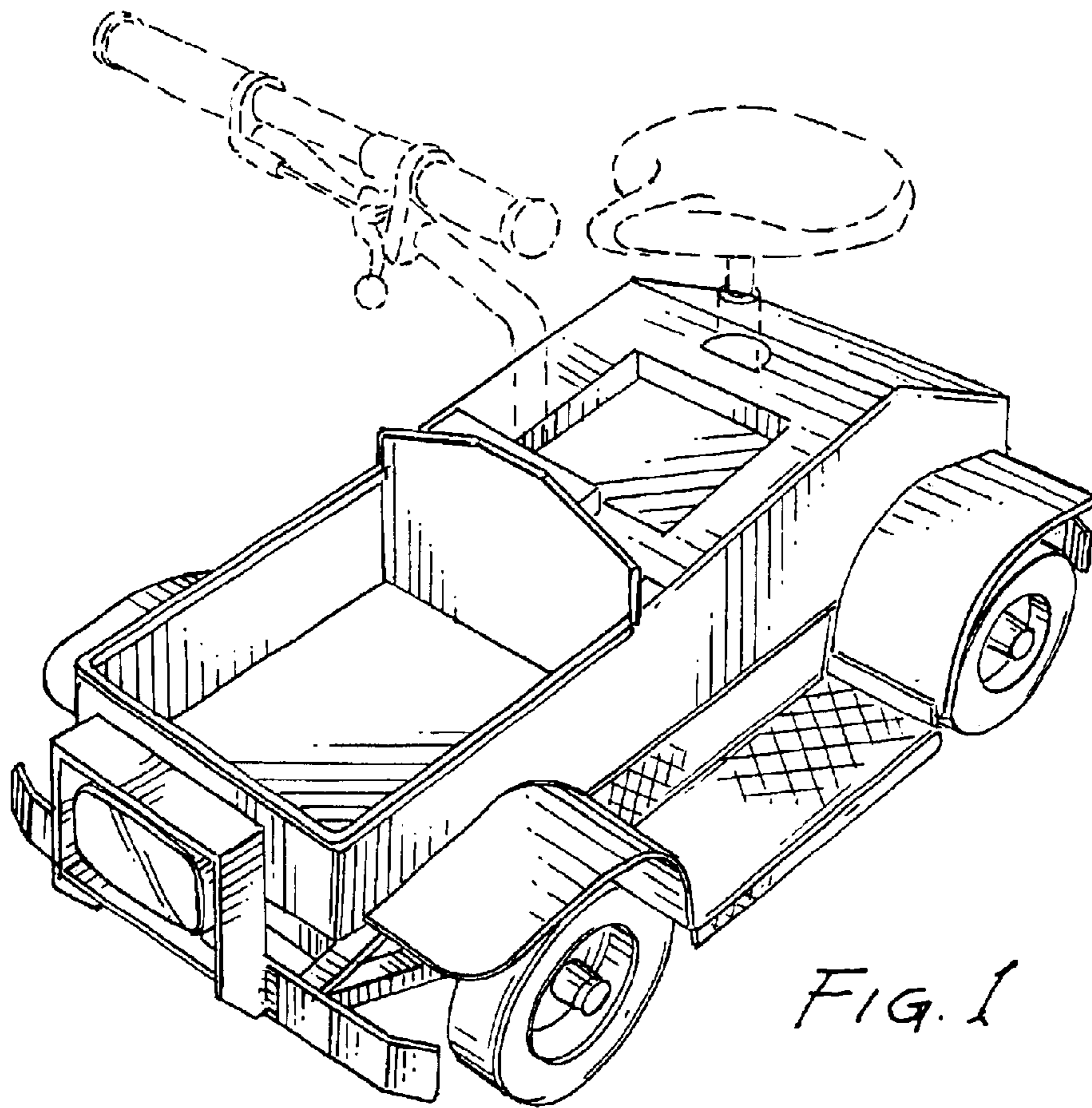


FIG. 1

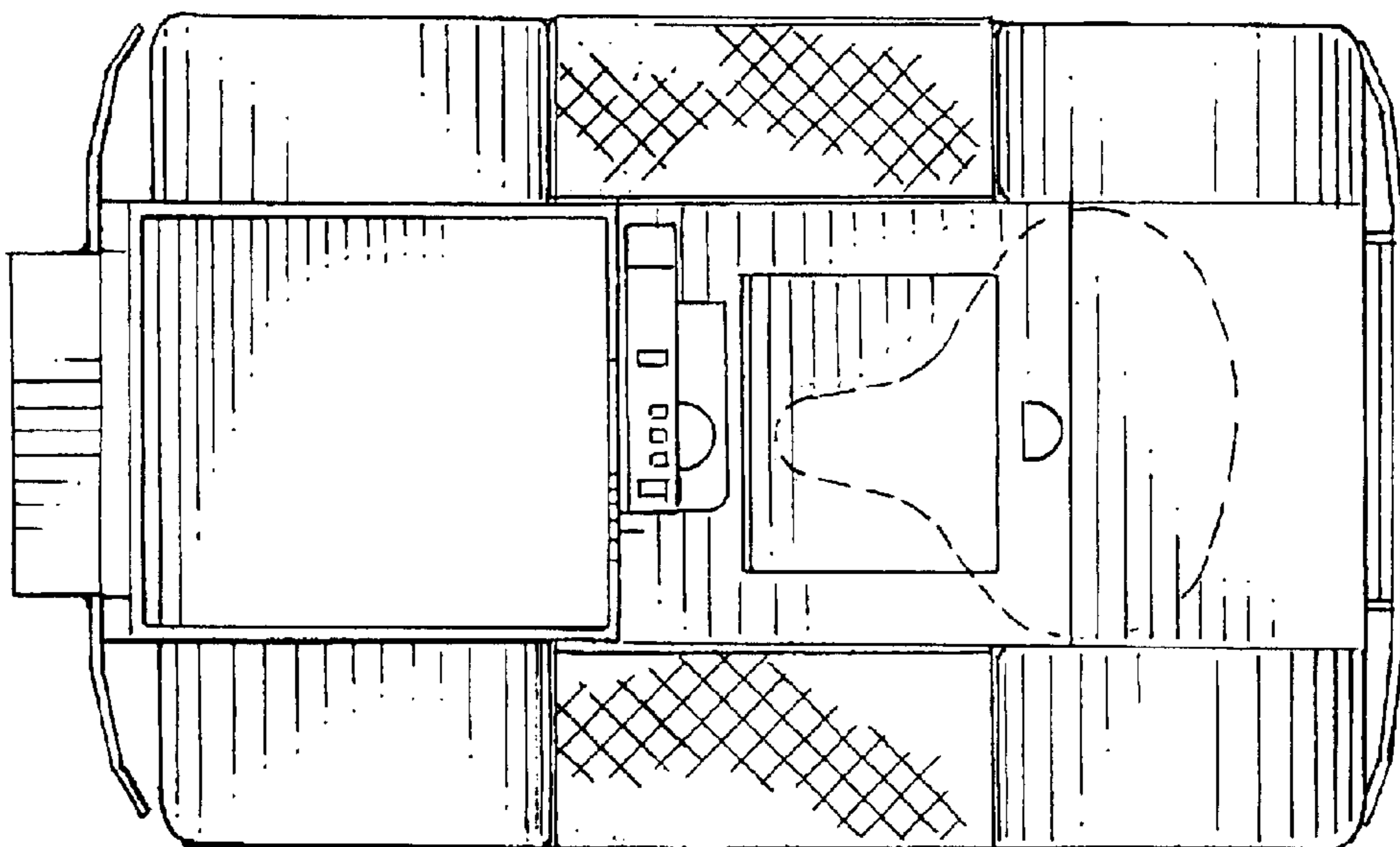


FIG. 2

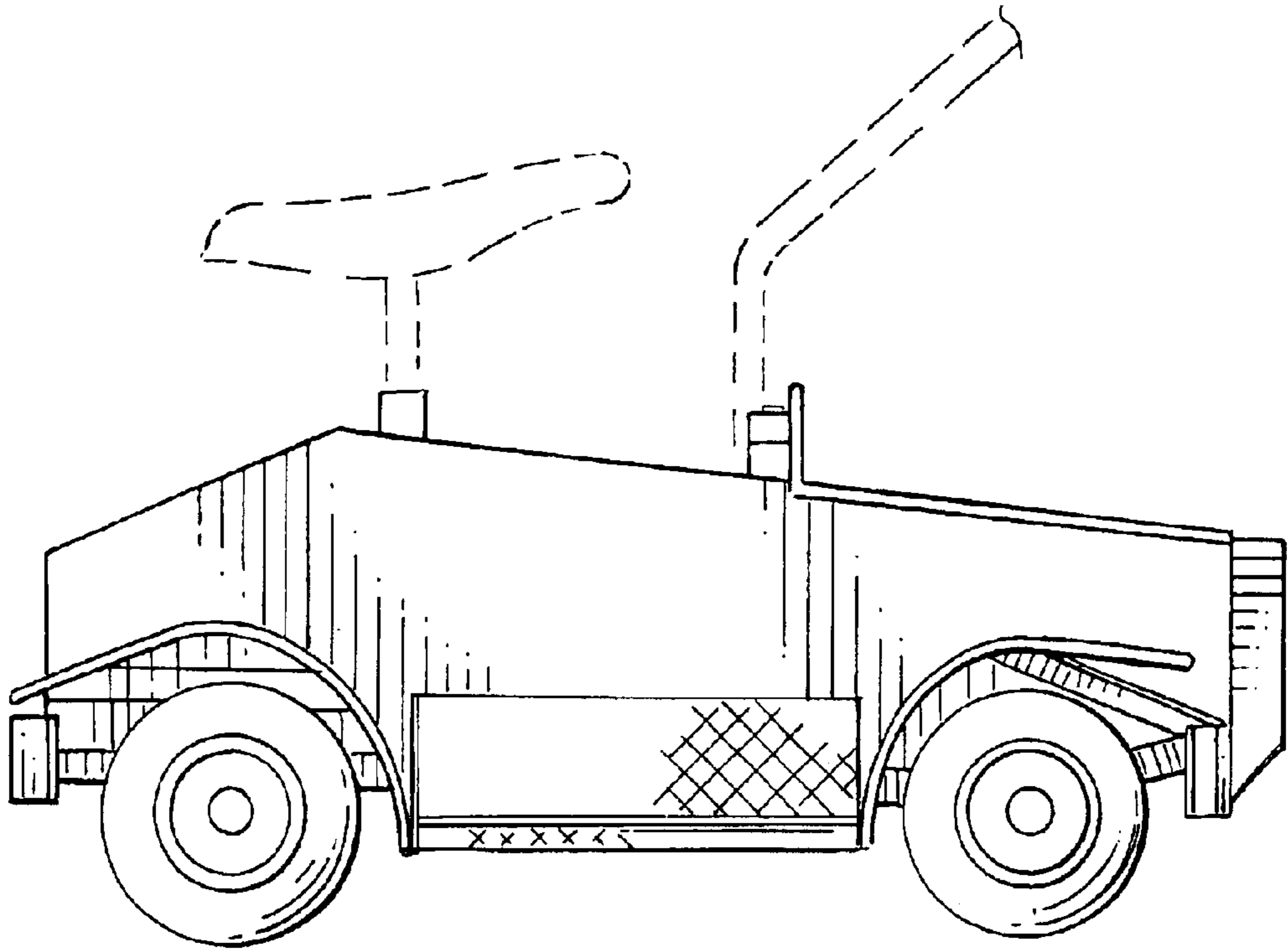


FIG. 3

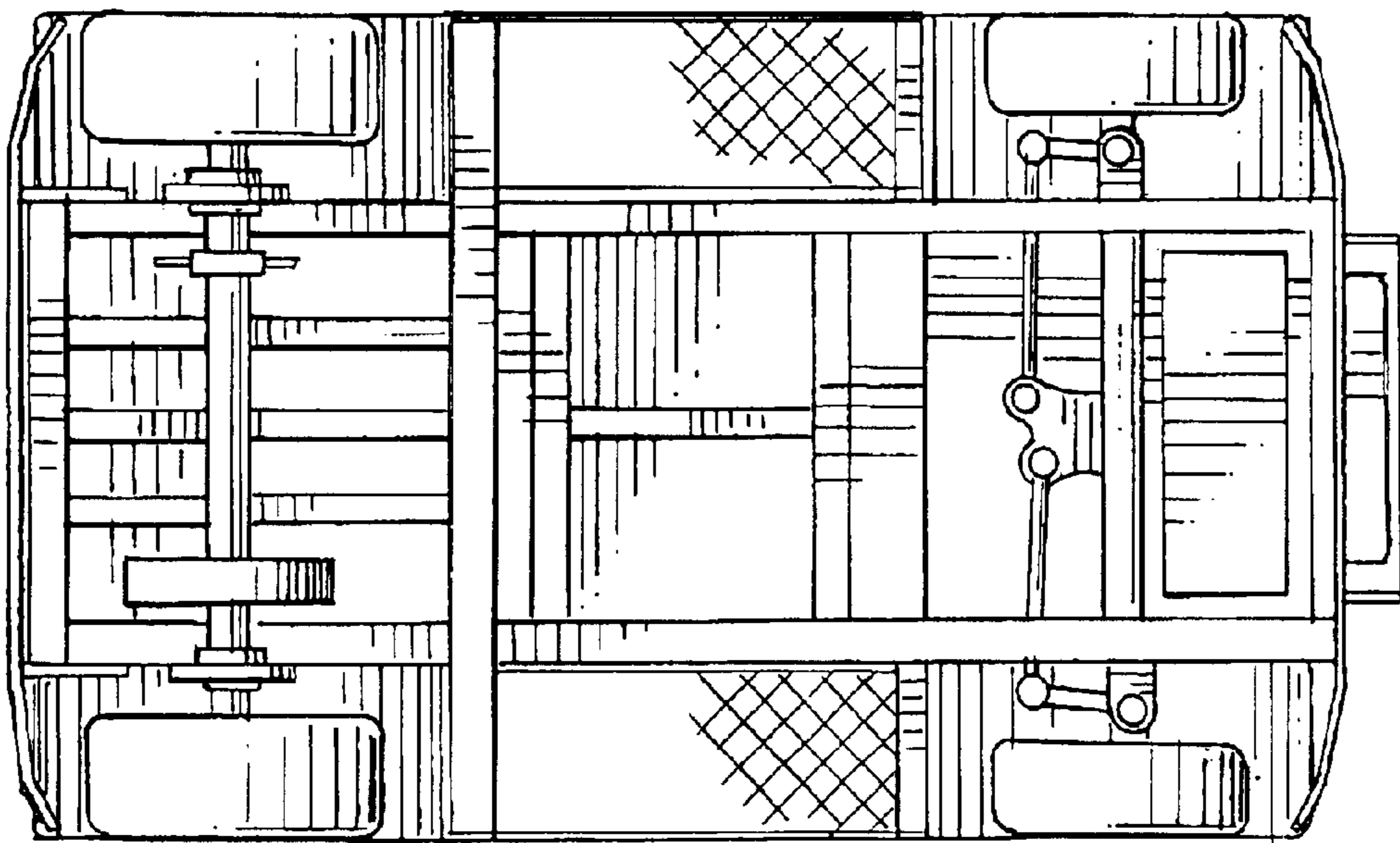


FIG. 4

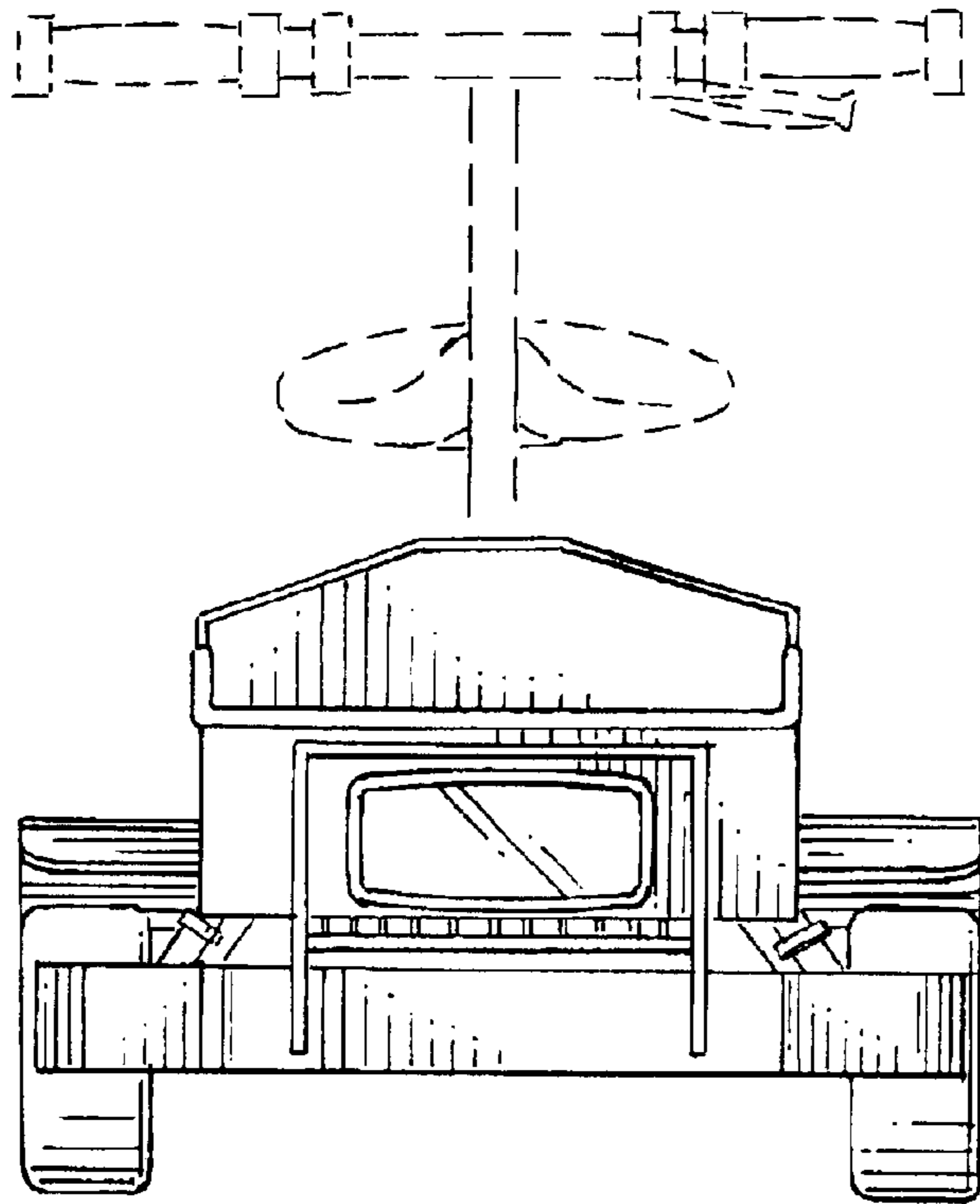


FIG. 5

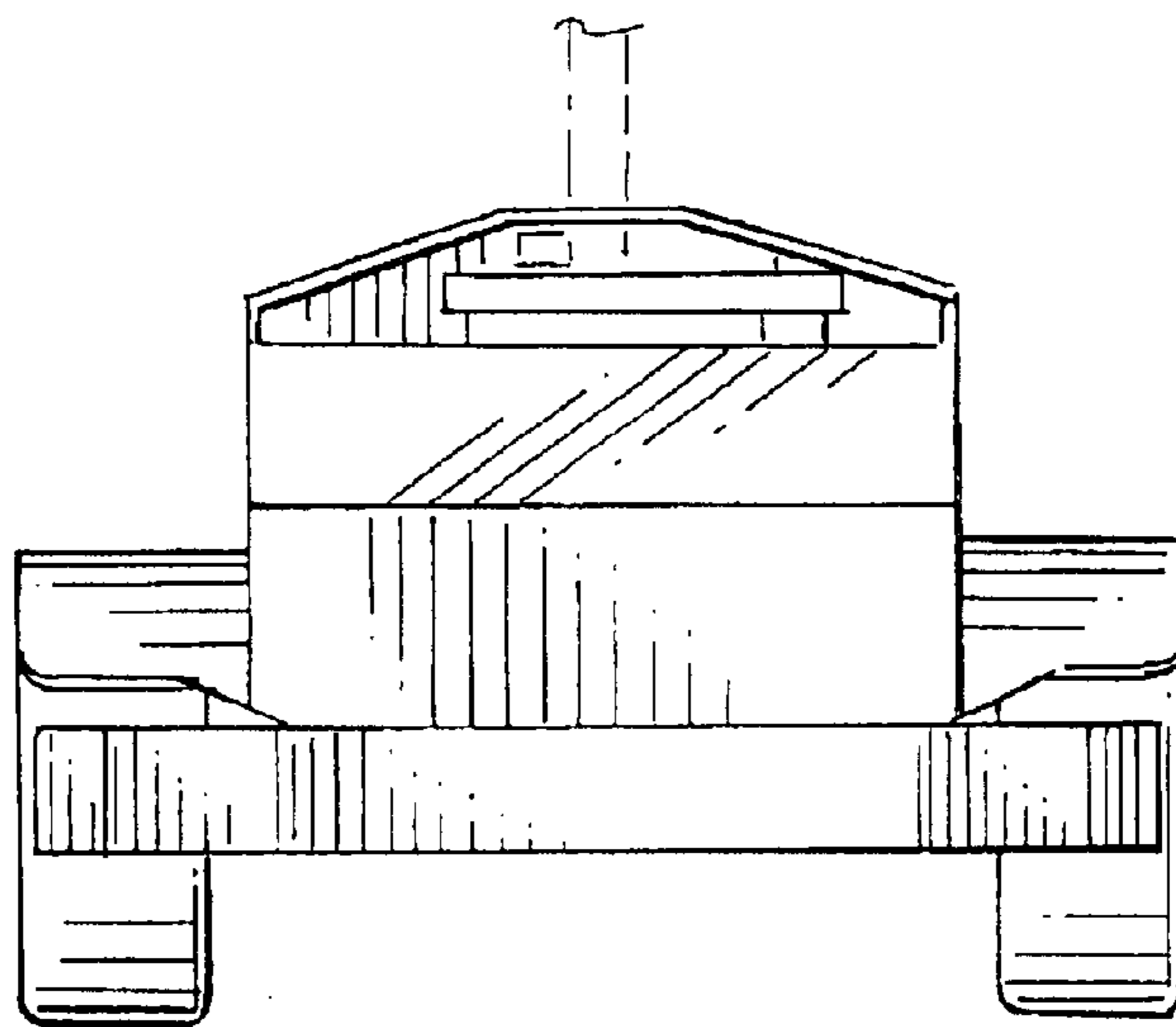


FIG. 6