



US00D491613S

(12) **United States Design Patent**  
**Kawabata**

(10) **Patent No.:** **US D491,613 S**

(45) **Date of Patent:** **\*\* Jun. 15, 2004**

(54) **BOARD UNIT**

(75) Inventor: **Masaki Kawabata**, Tokyo (JP)

(73) Assignees: **Sega Corporation**, Tokyo (JP); **Namco Limited**, Tokyo (JP)

(\*\*) Term: **14 Years**

(21) Appl. No.: **29/165,622**

(22) Filed: **Aug. 15, 2002**

(30) **Foreign Application Priority Data**

Feb. 21, 2002 (JP) ..... 2002-004420

(51) **LOC (7) Cl.** ..... **21-01**

(52) **U.S. Cl.** ..... **D21/333; D14/496**

(58) **Field of Search** ..... D21/300, 334,  
D21/324-333; D14/432, 433, 496; D13/123,  
184, 199; 273/148 B, 236, 237, 287, 309,  
459, 460; 463/1, 29, 46, 47; 345/700, 156,  
169, 903

(56) **References Cited**

**U.S. PATENT DOCUMENTS**

3,779,553 A \* 12/1973 Sector ..... 273/237  
4,136,878 A \* 1/1979 Caldwell ..... 273/237  
4,298,868 A \* 11/1981 Spurgeon ..... 345/31  
4,372,554 A \* 2/1983 Orenstein ..... 273/430  
4,624,462 A \* 11/1986 Itkis ..... 273/237

D406,832 S \* 3/1999 Anderson ..... D14/496  
6,361,440 B1 \* 3/2002 Ogawa et al. .... 463/42  
6,429,767 B1 \* 8/2002 Shimomura ..... 338/128  
D468,366 S \* 1/2003 Blake, Jr. .... D21/333  
6,595,860 B1 \* 7/2003 Yamamoto et al. .... 463/43  
D479,563 S \* 9/2003 Shibano et al. .... D21/333  
D479,732 S \* 9/2003 Yajima et al. .... D21/333  
D483,809 S \* 12/2003 Lim ..... D21/324

\* cited by examiner

*Primary Examiner*—Prabhakar Deshmukh

(74) *Attorney, Agent, or Firm*—Dickstein Shapiro Morin & Oshinsky LLP

(57) **CLAIM**

The ornamental design for the board unit, as shown and described.

**DESCRIPTION**

FIG. 1 is a front, top and right side perspective view of a board unit showing my new design;  
FIG. 2 is a rear, top and left side perspective view thereof;  
FIG. 3 is a front elevational view thereof;  
FIG. 4 is a rear elevational view thereof;  
FIG. 5 is a top plan view thereof;  
FIG. 6 is a bottom plan view thereof;  
FIG. 7 is a right side elevational view thereof; and,  
FIG. 8 is a left side elevational view thereof.

**1 Claim, 4 Drawing Sheets**

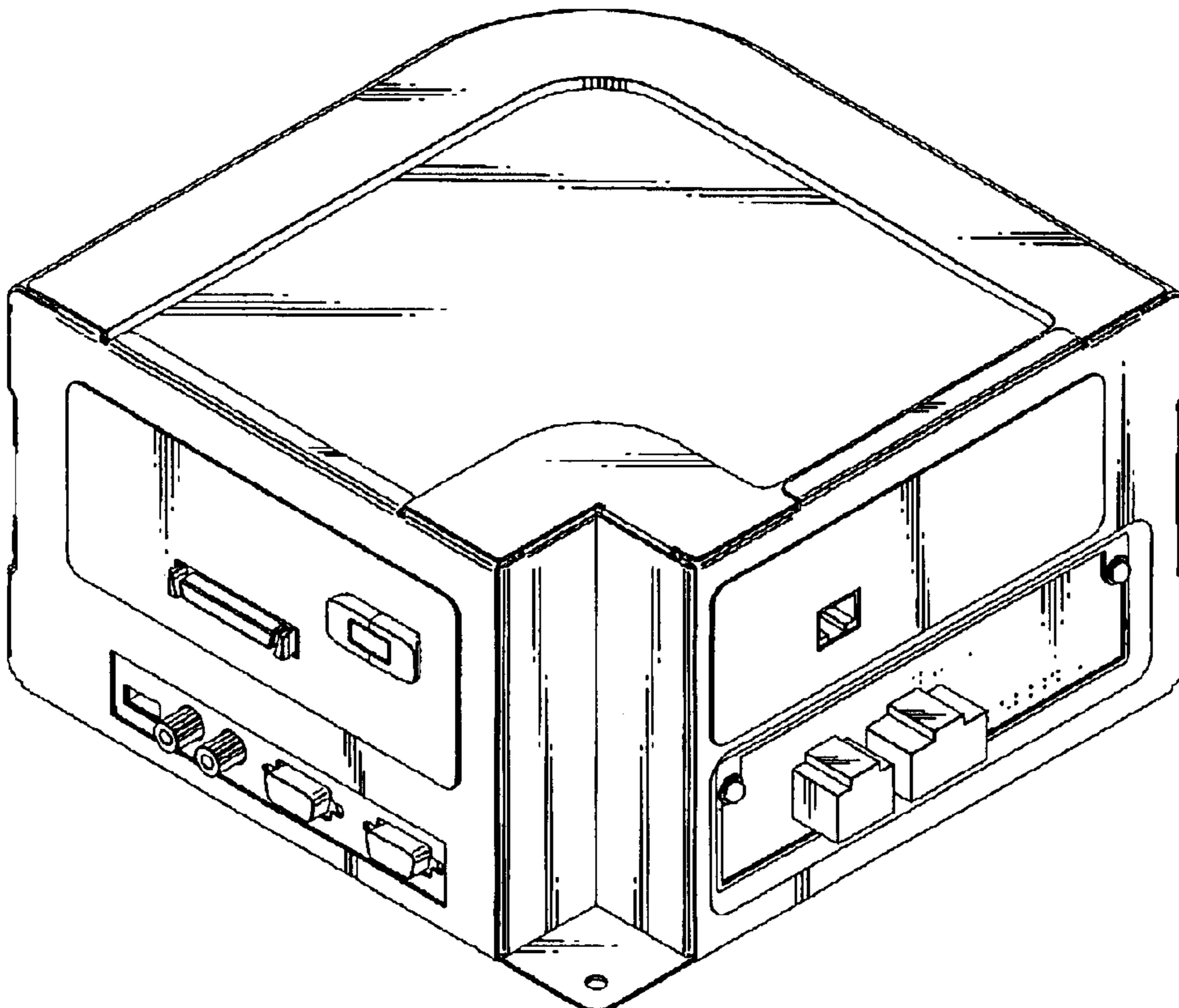


FIG. 1

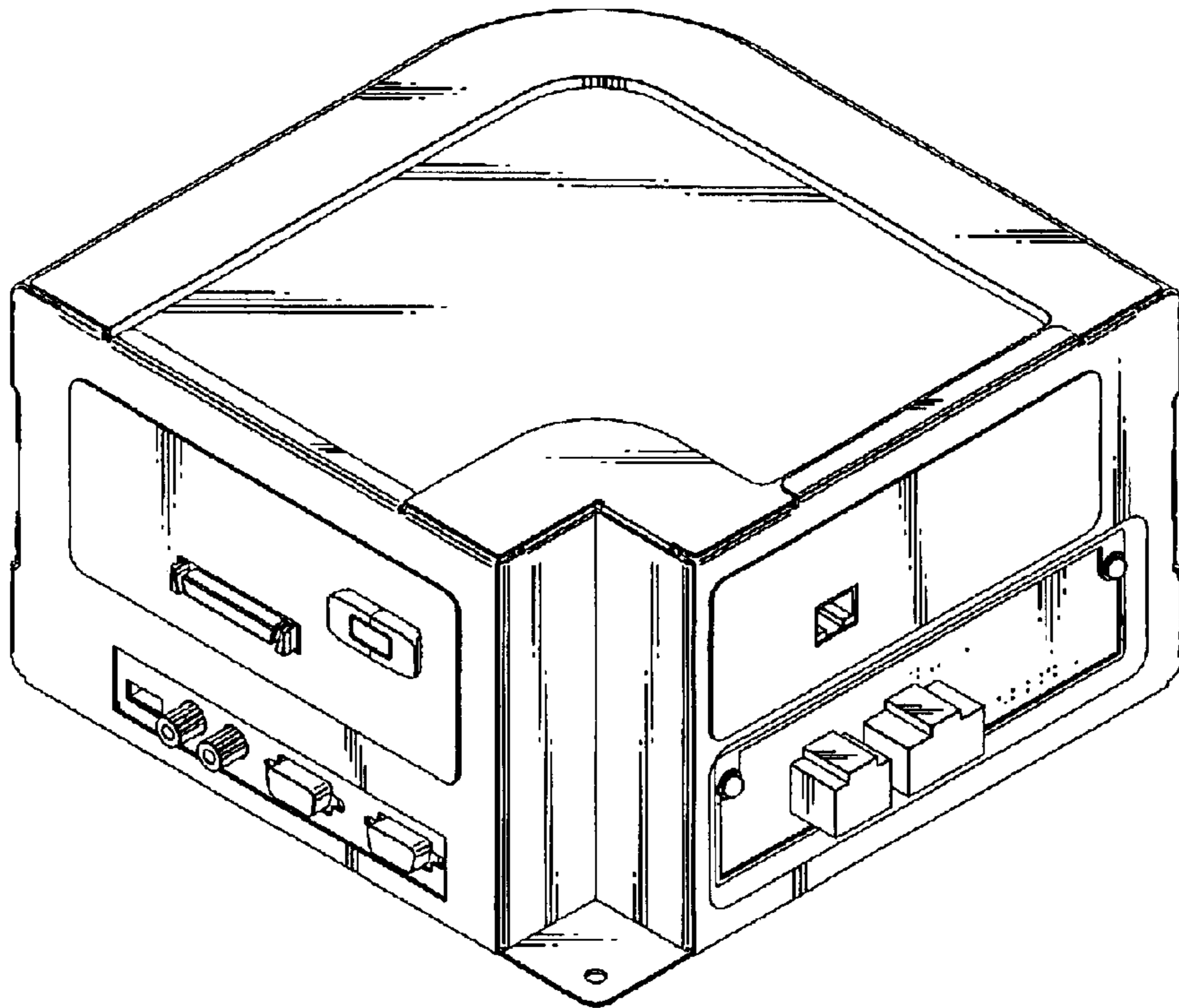


FIG. 2

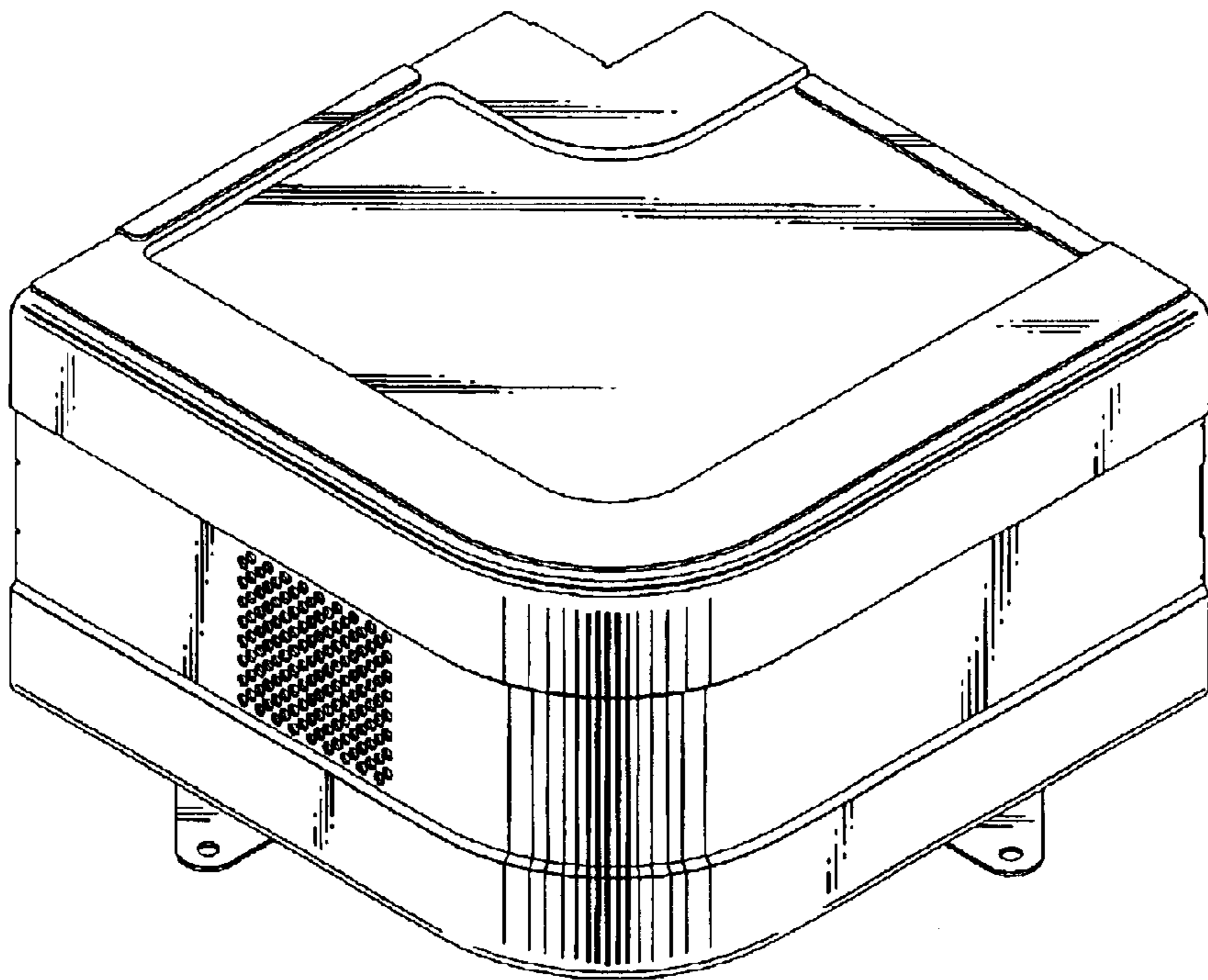


FIG.3

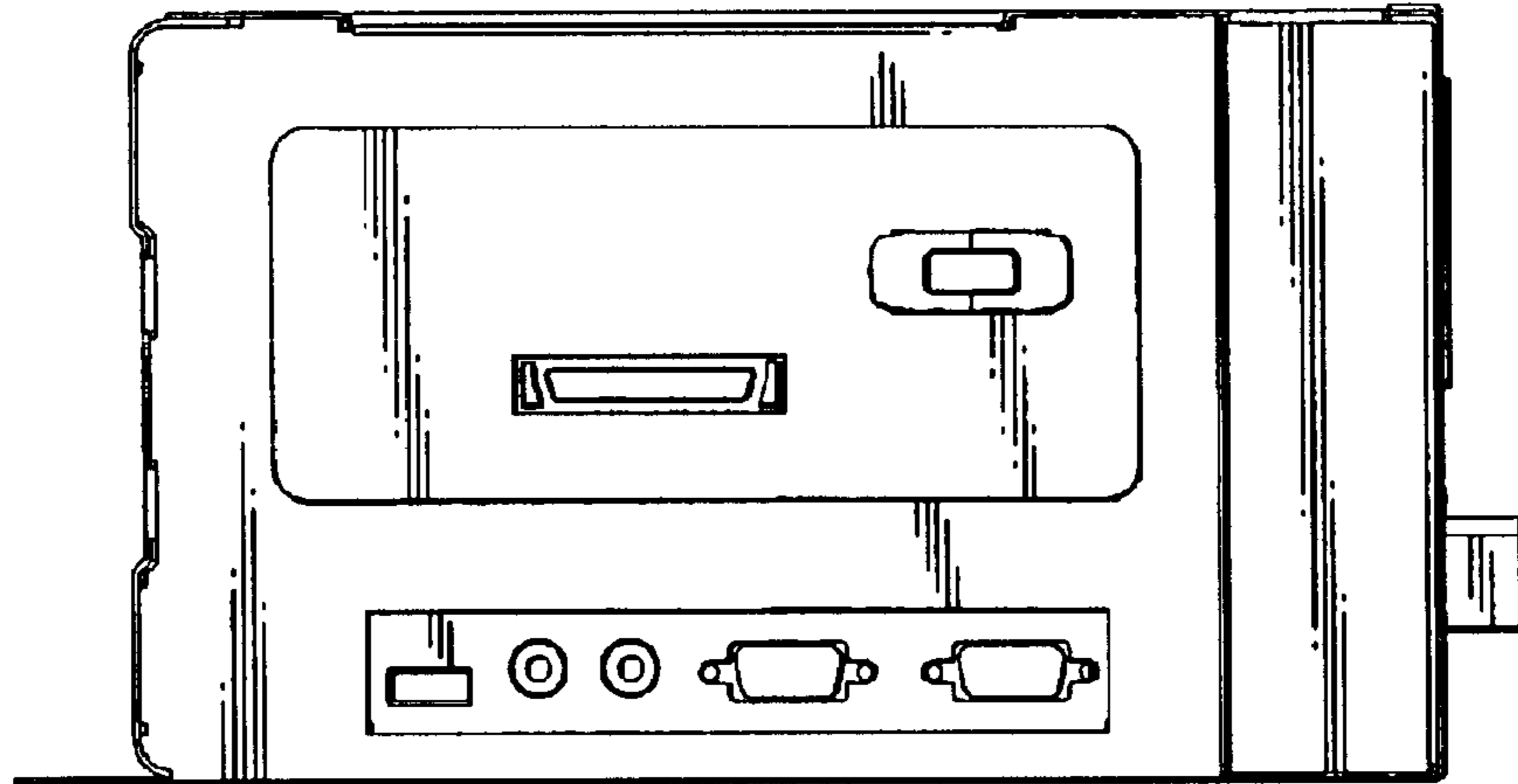


FIG.4

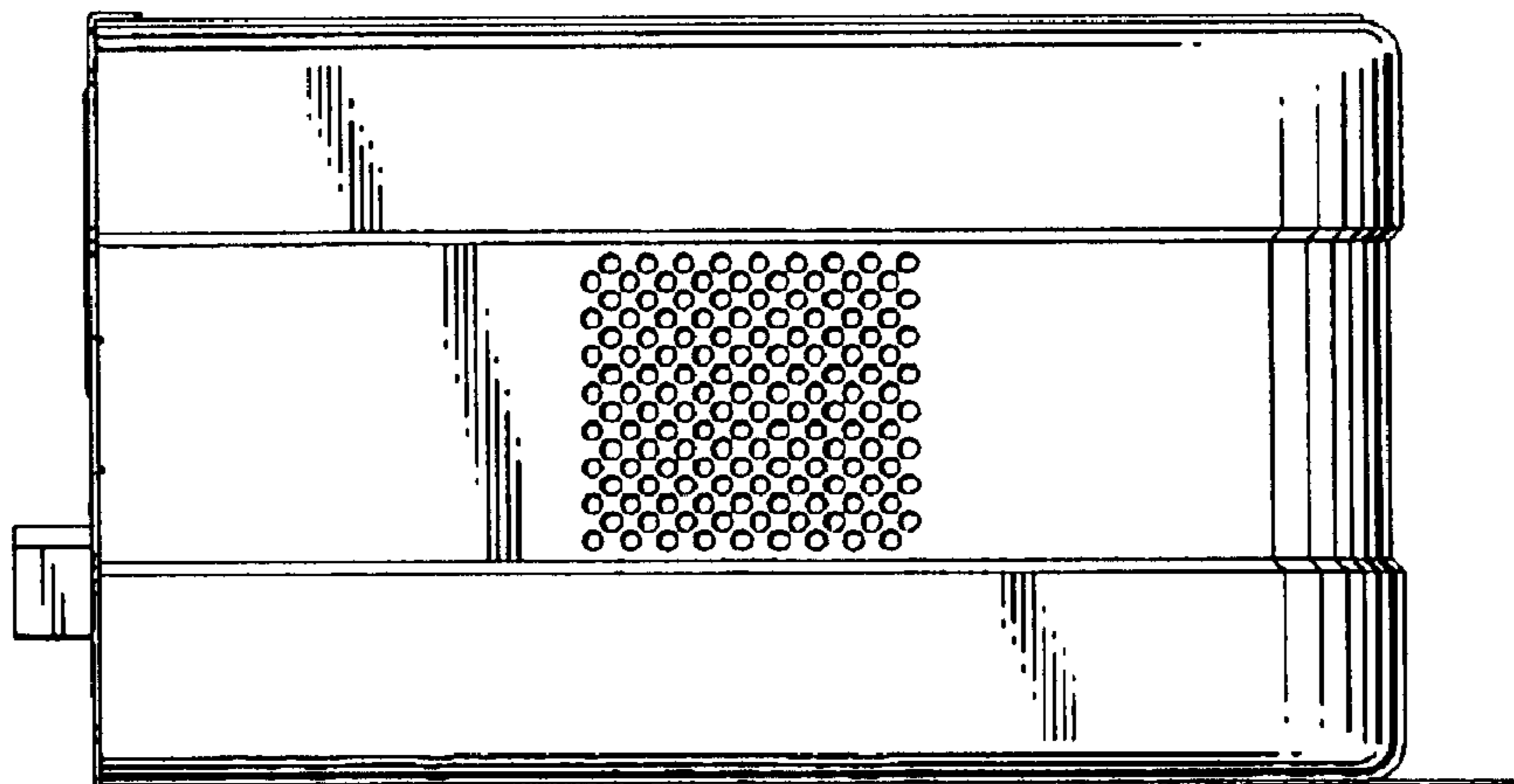


FIG.5

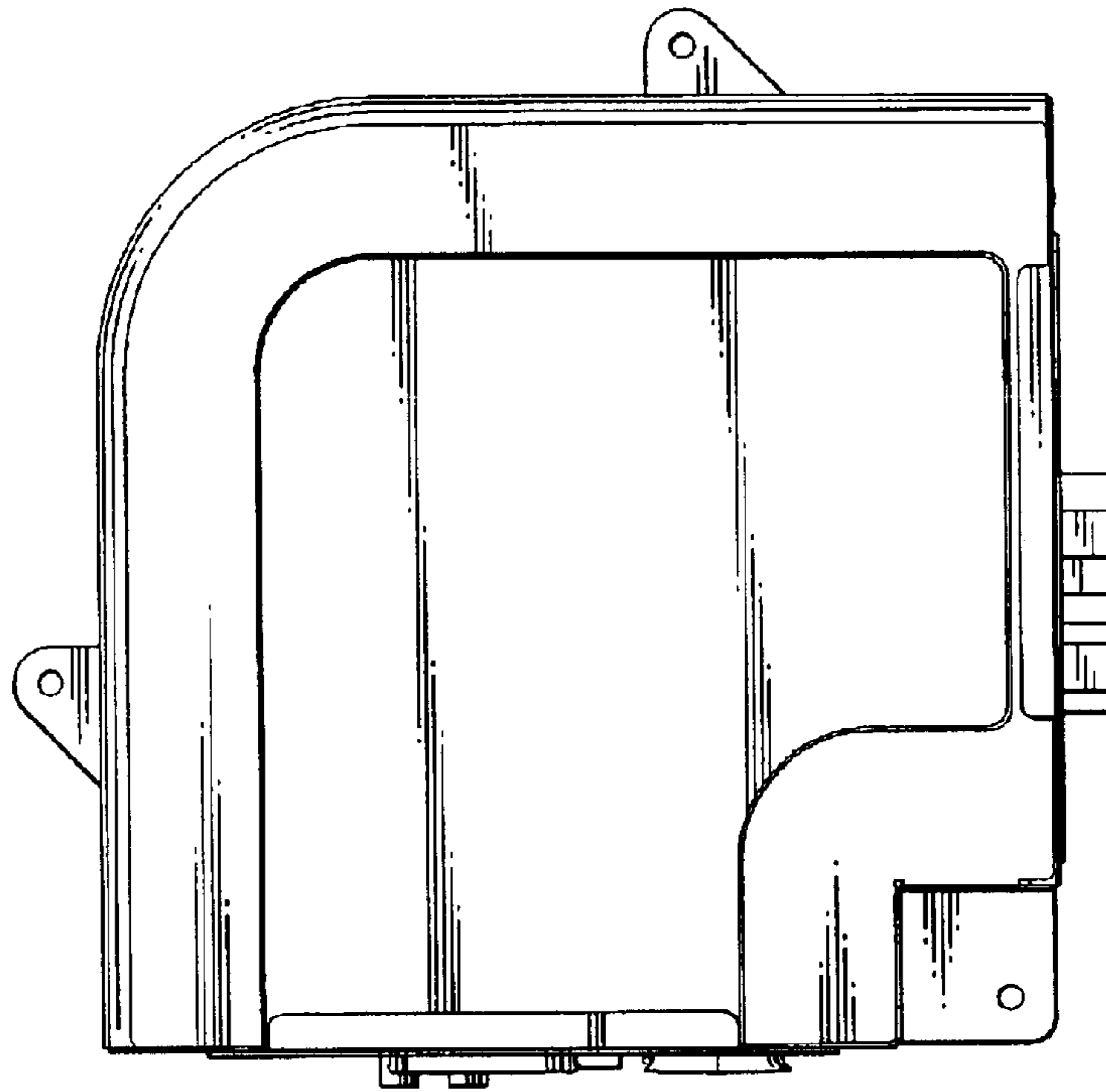


FIG.6

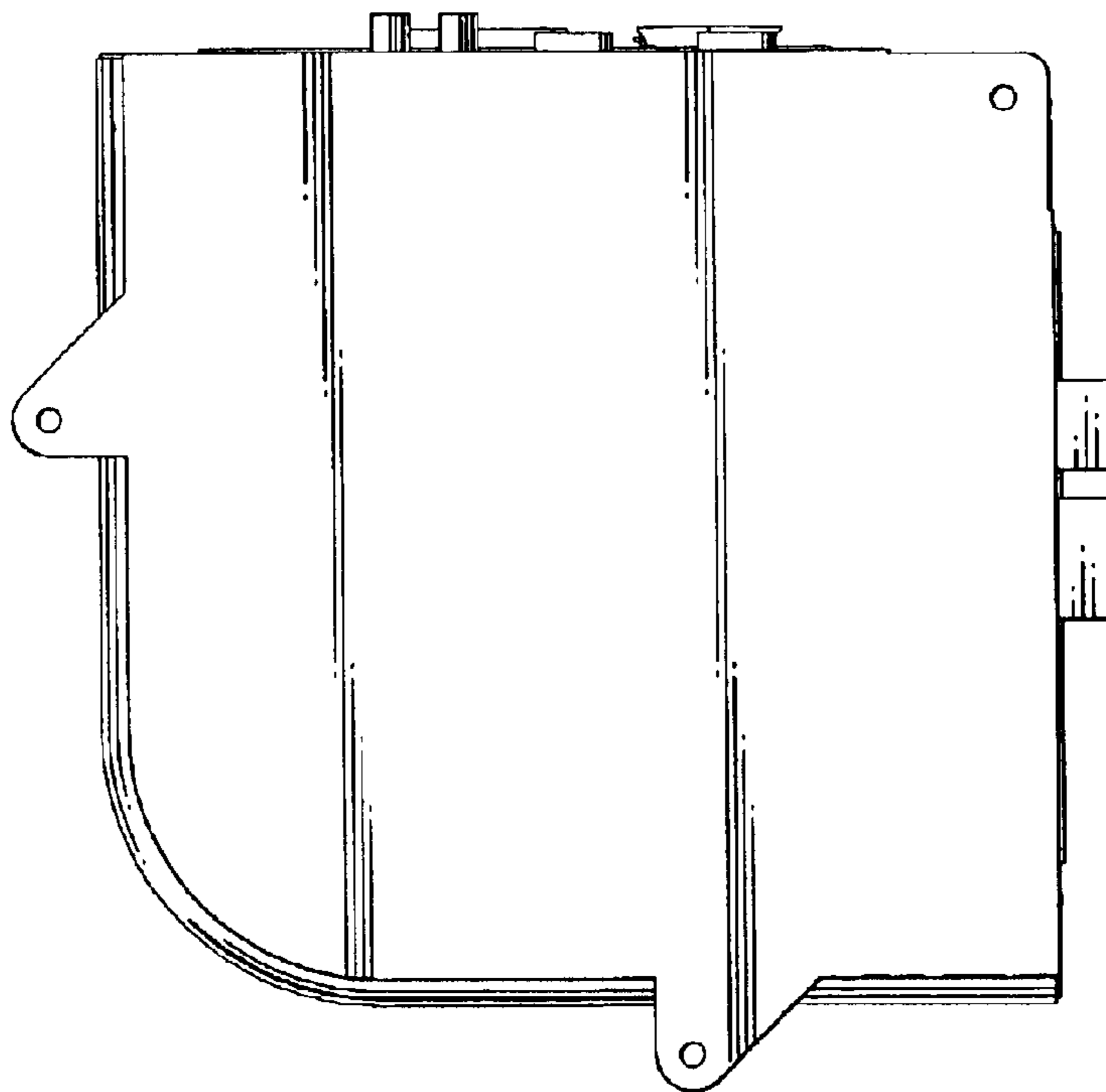


FIG. 7

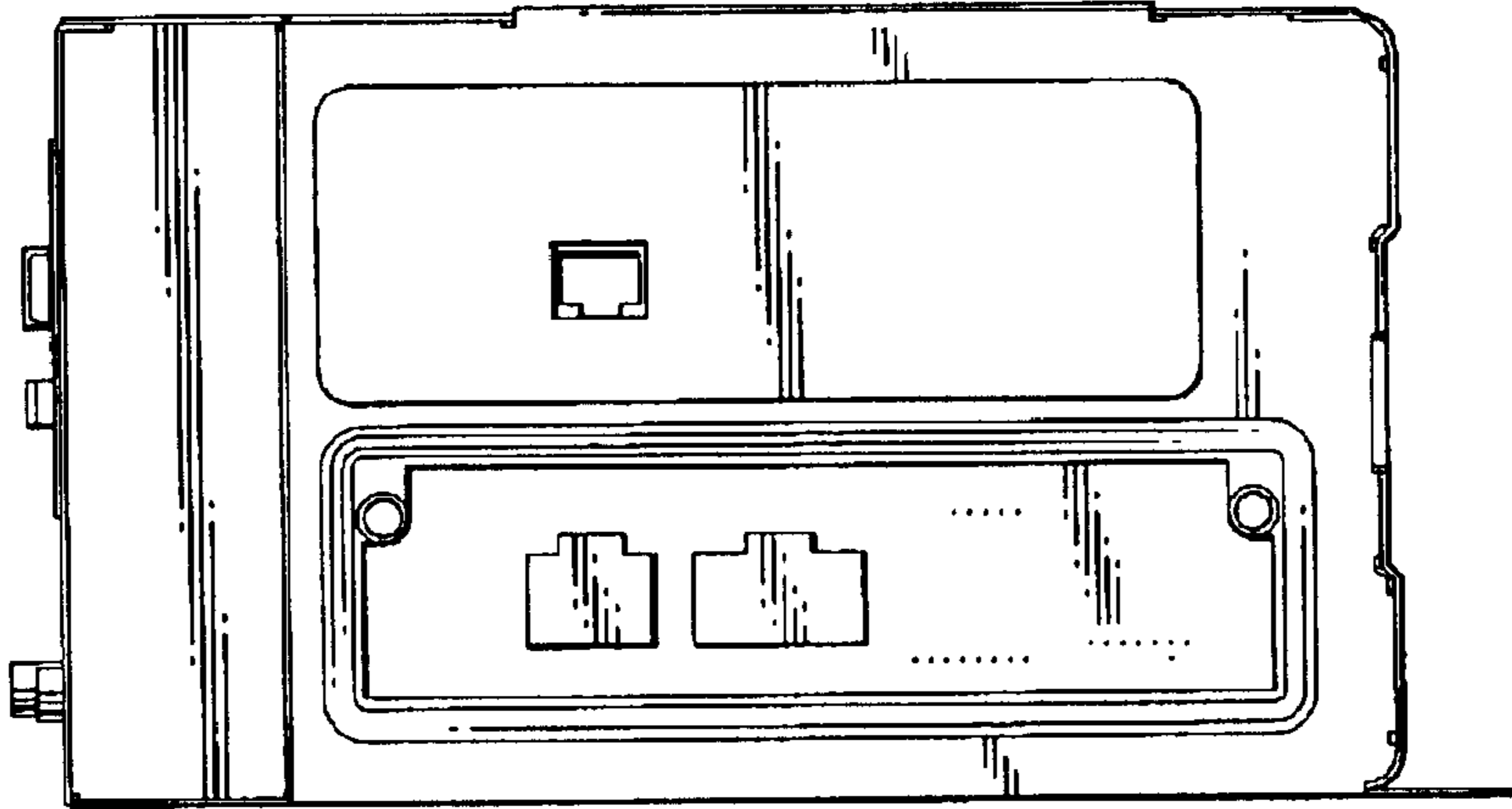


FIG. 8

