



US00D491611S

(12) **United States Design Patent**
Domack

(10) **Patent No.:** **US D491,611 S**

(45) **Date of Patent:** **** Jun. 15, 2004**

(54) **MOUNTING FOR SIGN**

D352,070 S * 11/1994 Gibson D20/40

(76) Inventor: **Mark L. Domack**, 1404 E. Hastings
Lake Rd., Jonesville, MI (US) 49250

* cited by examiner

(**) Term: **14 Years**

Primary Examiner—Robert M. Spear
(74) *Attorney, Agent, or Firm*—Flynn, Thiel, Boutell &
Tanis, P.C.

(21) Appl. No.: **29/188,453**

(57) **CLAIM**

(22) Filed: **Aug. 19, 2003**

The ornamental design for a mounting for sign, as shown
and described.

(51) **LOC (7) Cl.** **20-03**

DESCRIPTION

(52) **U.S. Cl.** **D20/43**

(58) **Field of Search** D20/10, 13, 15,
D20/17, 22, 27, 28–29, 39–42, 99; D12/193;
40/299.01, 330, 549, 606.18, 606.19, 607.13,
611.05, 612, 624, 642.01, 651; 362/812;
D8/354, 366, 373

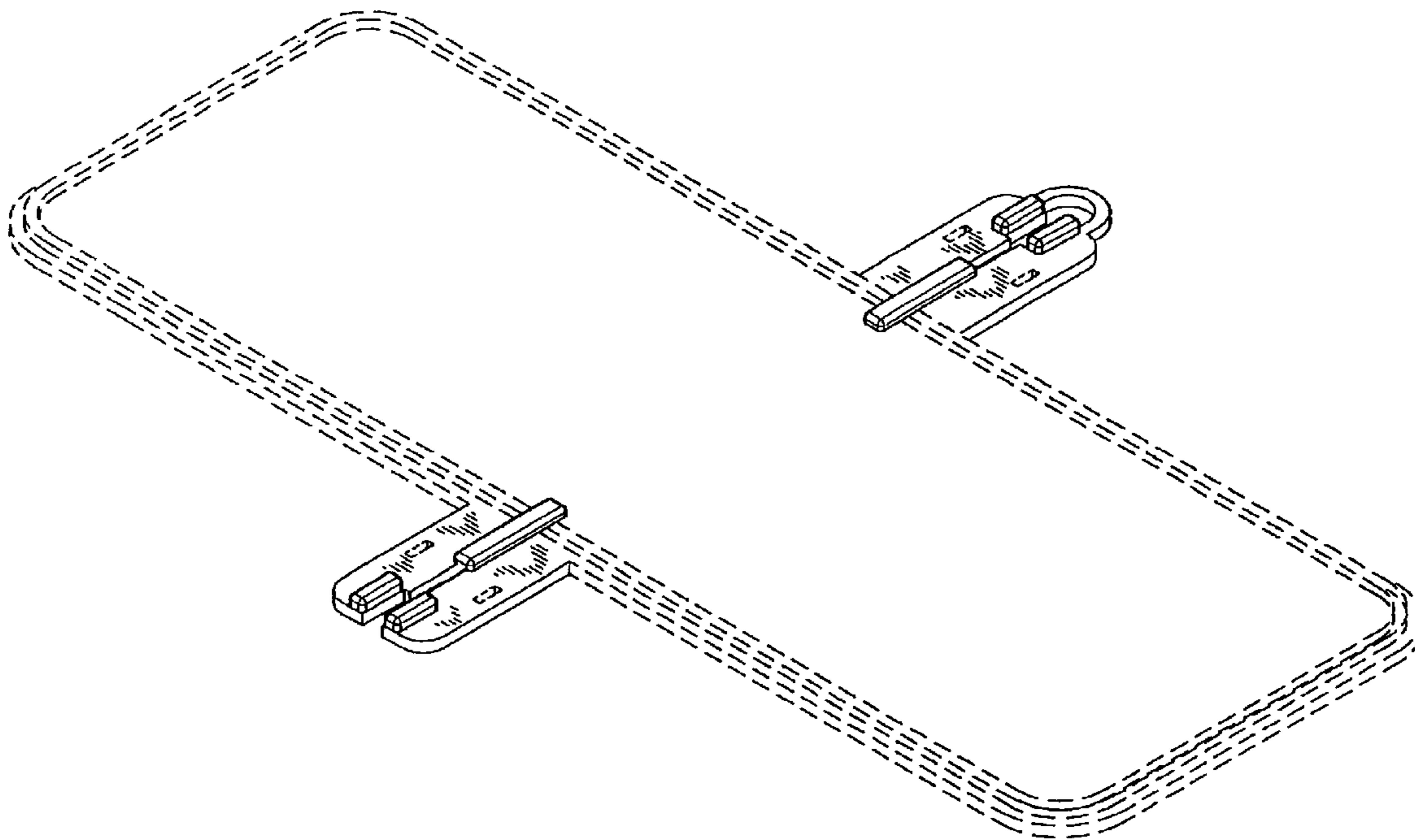
FIG. 1 is a front view of a mounting for sign, the broken
lines indicating features not forming part of the design;
FIG. 2 is a top view of FIG. 1;
FIG. 3 is a left view of FIG. 1, the right edge view being a
mirror image thereof;
FIG. 4 is a bottom view of FIG. 1;
FIG. 5 is a rear view of FIG. 1; and,
FIG. 6 is a front, bottom, right edge isometric view of FIG.
1.

(56) **References Cited**

U.S. PATENT DOCUMENTS

D266,774 S * 11/1982 Brown et al. D20/41
D314,016 S * 1/1991 Mitchell D20/43

1 Claim, 6 Drawing Sheets



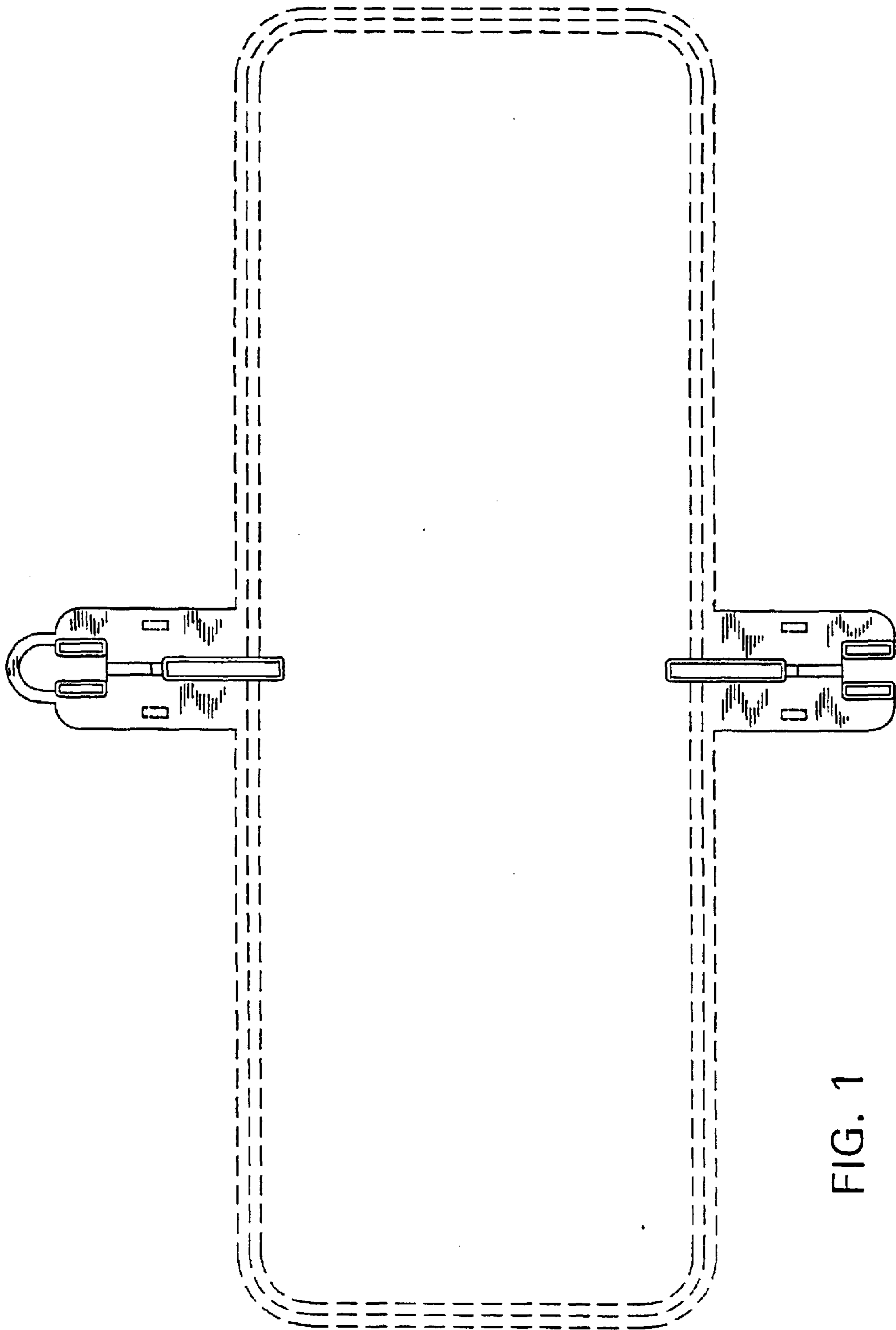


FIG. 1



FIG. 2

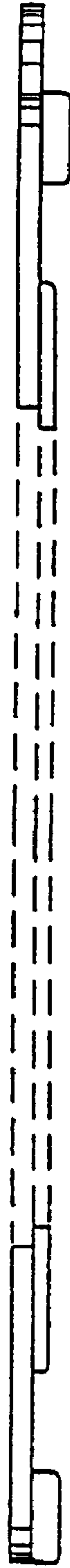


FIG. 3

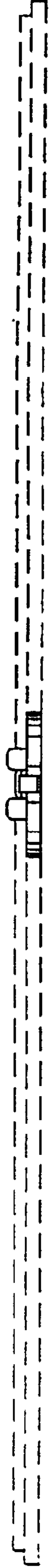


FIG. 4

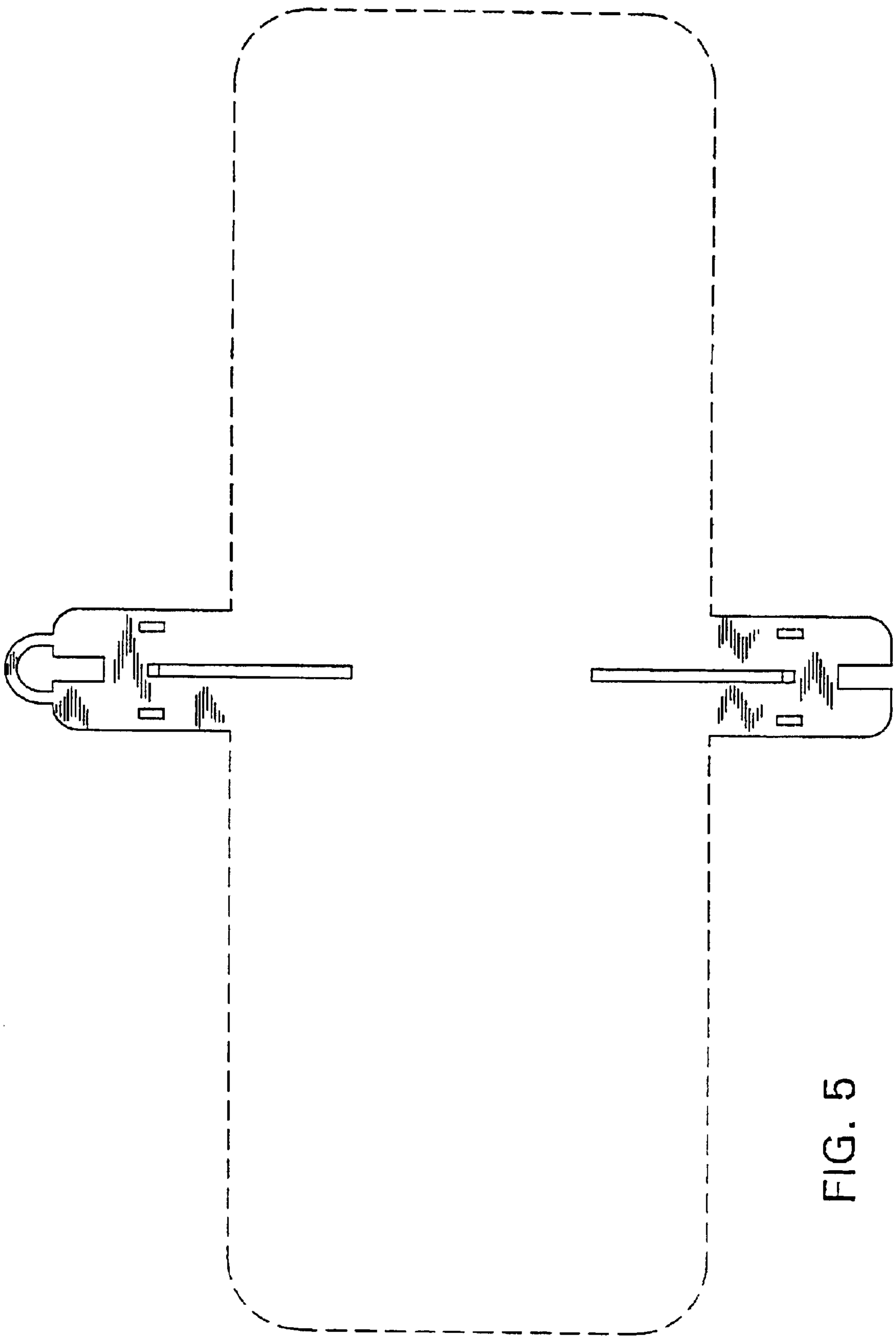


FIG. 5

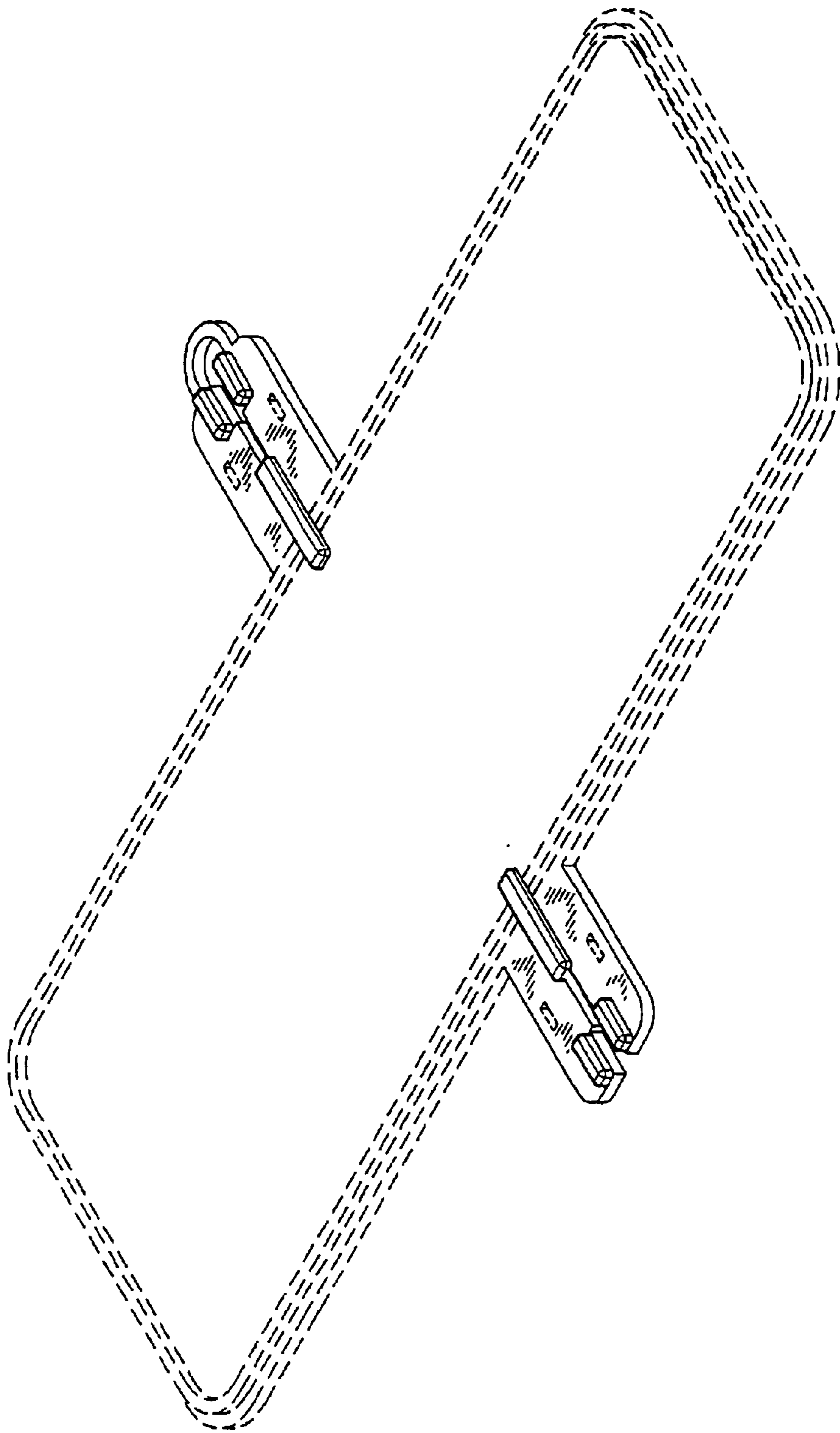


FIG. 6