



US00D491602S

(12) **United States Design Patent**
Koyama et al.

(10) **Patent No.:** **US D491,602 S**

(45) **Date of Patent:** **** Jun. 15, 2004**

(54) **TONER CARTRIDGE**

(75) Inventors: **Tetsu Koyama**, Tokyo (JP); **Shinichi Otani**, Tokyo (JP)

(73) Assignee: **Oki Data Corporation**, Tokyo (JP)

(**) Term: **14 Years**

(21) Appl. No.: **29/178,696**

(22) Filed: **Mar. 28, 2003**

(30) **Foreign Application Priority Data**

Oct. 8, 2002 (JP) 2002-027535

(51) **LOC (7) Cl.** **16-03**

(52) **U.S. Cl.** **D18/43**

(58) **Field of Search** D18/40, 43, 56,
D18/12; 347/49, 86, 87, 101, 214; 399/110,
111, 114, 119, 120, 259, 262, 106

(56) **References Cited**

U.S. PATENT DOCUMENTS

- D356,108 S * 3/1995 Kondoh D18/43
- D418,156 S * 12/1999 Maeda D18/43
- D450,752 S * 11/2001 Ito et al. D18/43

- D451,539 S * 12/2001 Ito et al. D18/43
- D478,344 S * 8/2003 Kinoshita et al. D18/43
- D478,616 S * 8/2003 Fujita et al. D18/43
- 2002/0018668 A1 * 2/2002 Kanno et al. 399/106

* cited by examiner

Primary Examiner—Caron D. Veynar

(74) *Attorney, Agent, or Firm*—Ladas & Parry

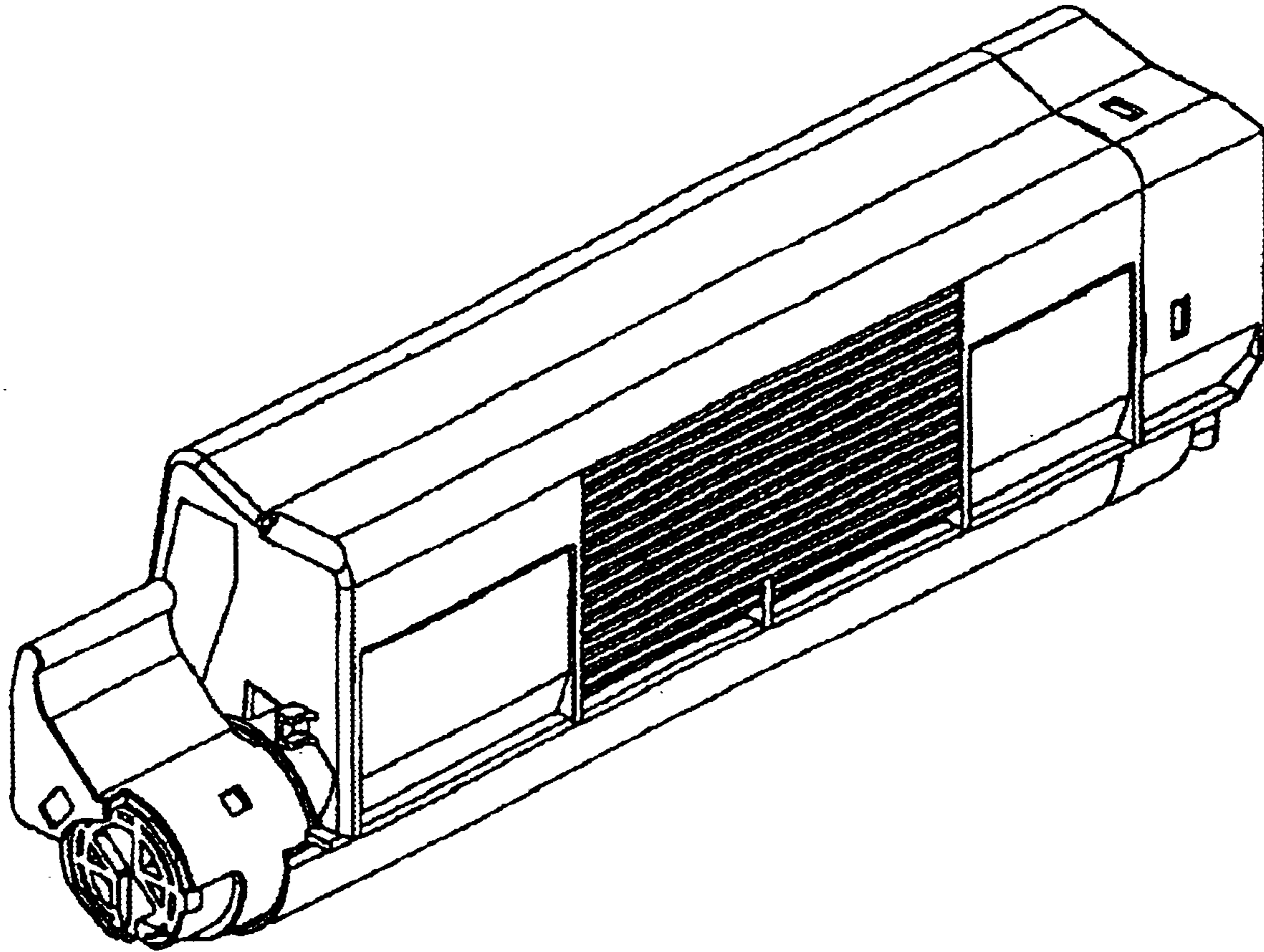
(57) **CLAIM**

We claim the ornamental design for toner cartridge, as shown.

DESCRIPTION

FIG. 1 is a top/front/left-side perspective view of a toner cartridge showing our new design;
 FIG. 2 is a front elevational view thereof;
 FIG. 3 is a rear elevational view thereof;
 FIG. 4 is a top plan view thereof;
 FIG. 5 is a bottom plan view thereof;
 FIG. 6 is a left-side elevational view thereof;
 FIG. 7 is a right-side elevational view thereof; and,
 FIG. 8 is a cross-sectional view taken along line 8—8 in FIG. 2.

1 Claim, 3 Drawing Sheets



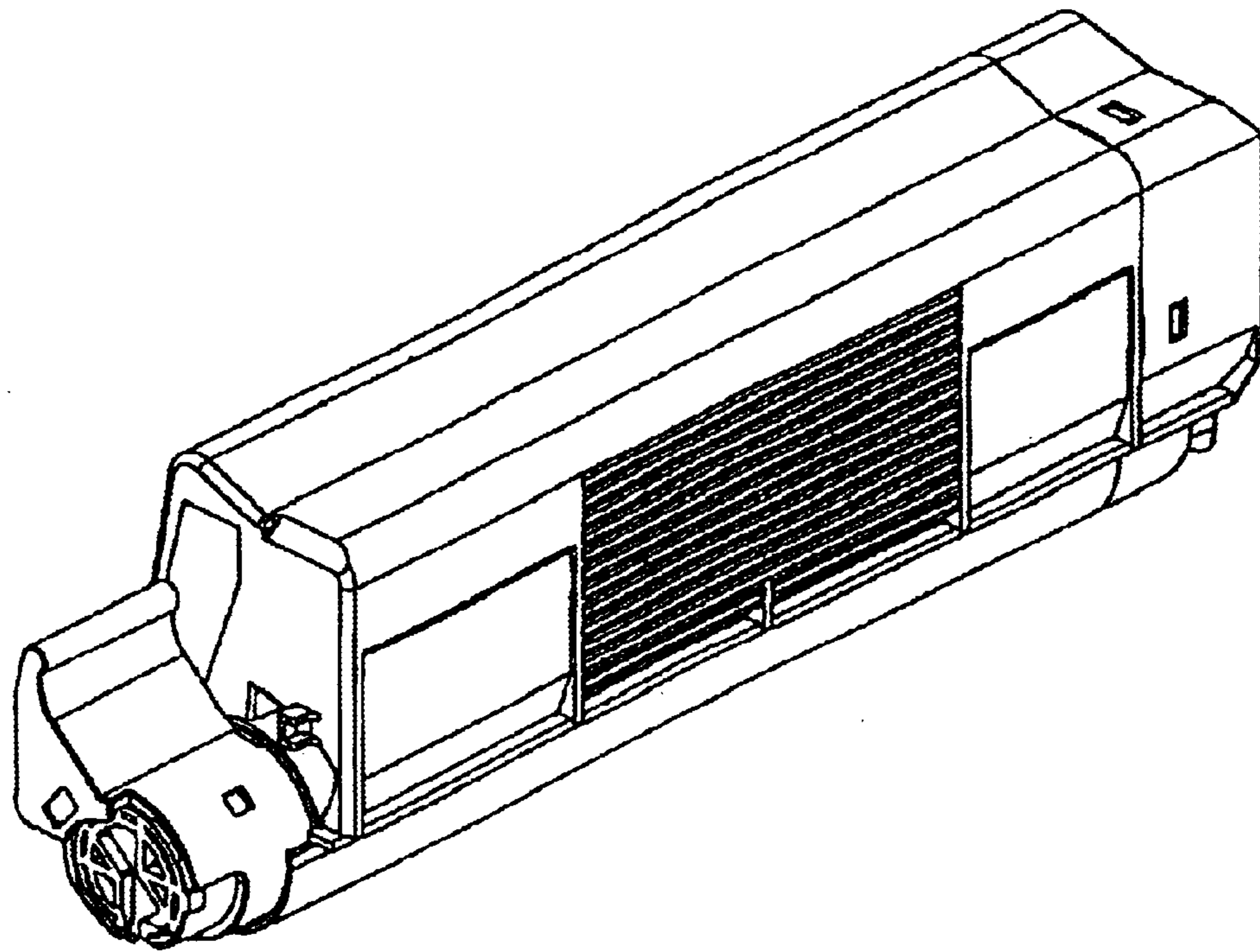


FIG. 1

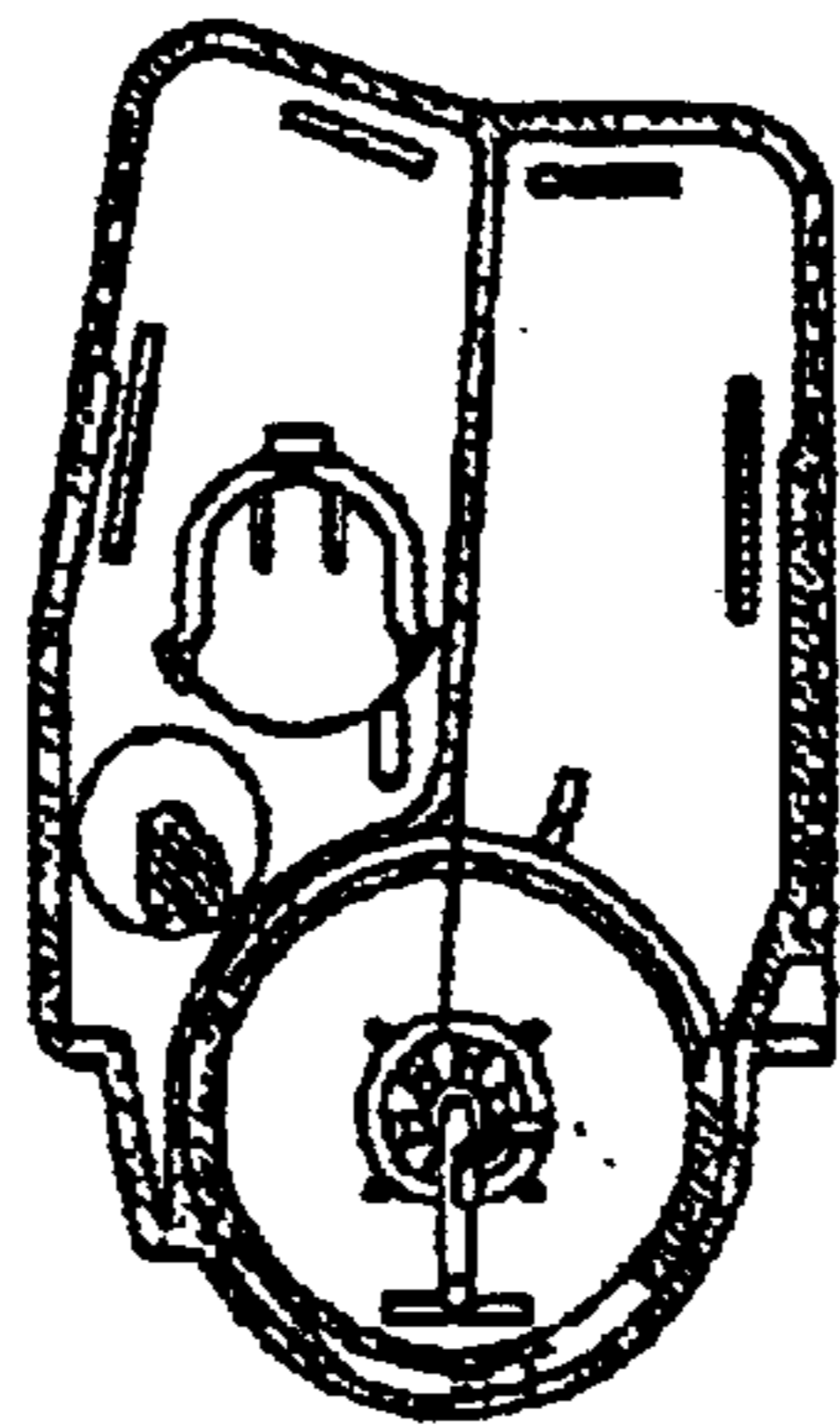


FIG. 8

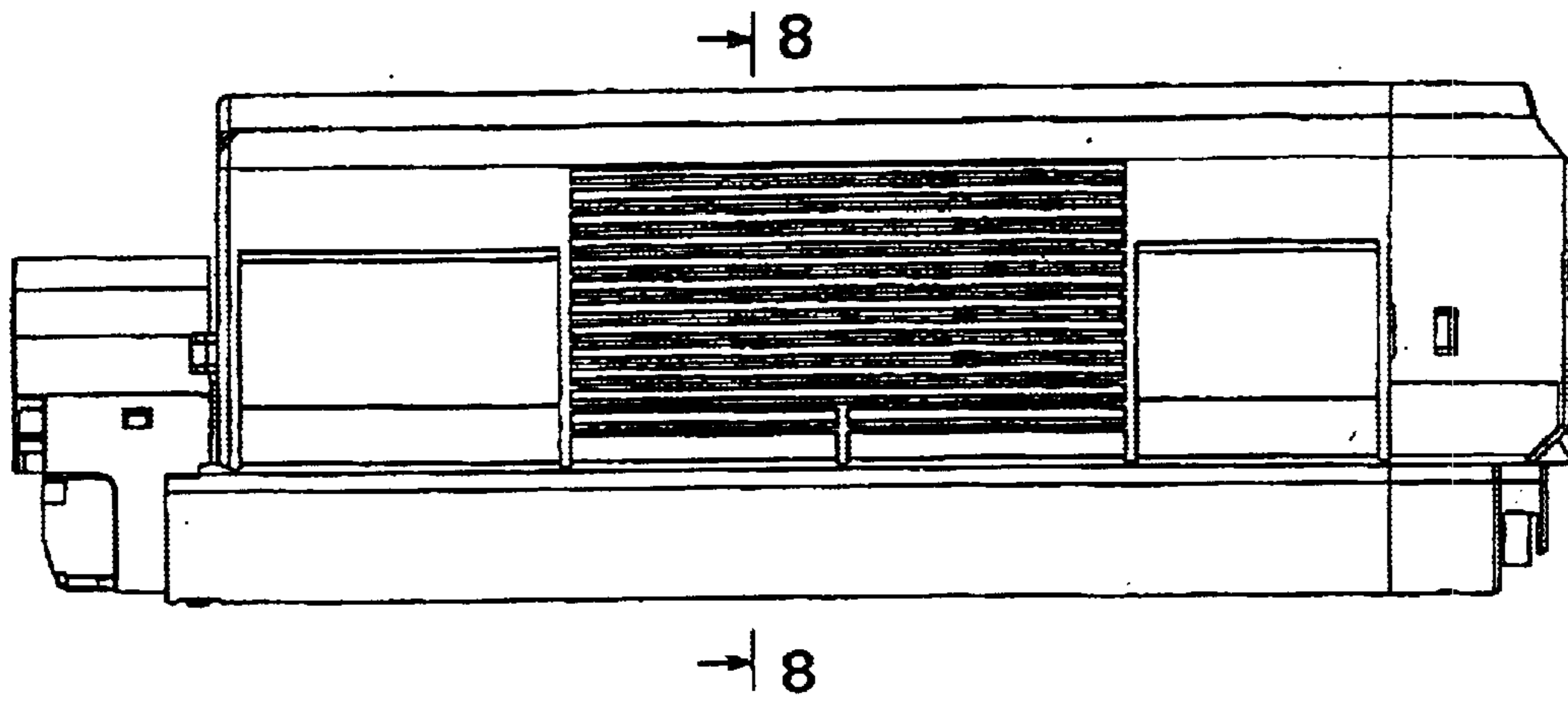


FIG. 2

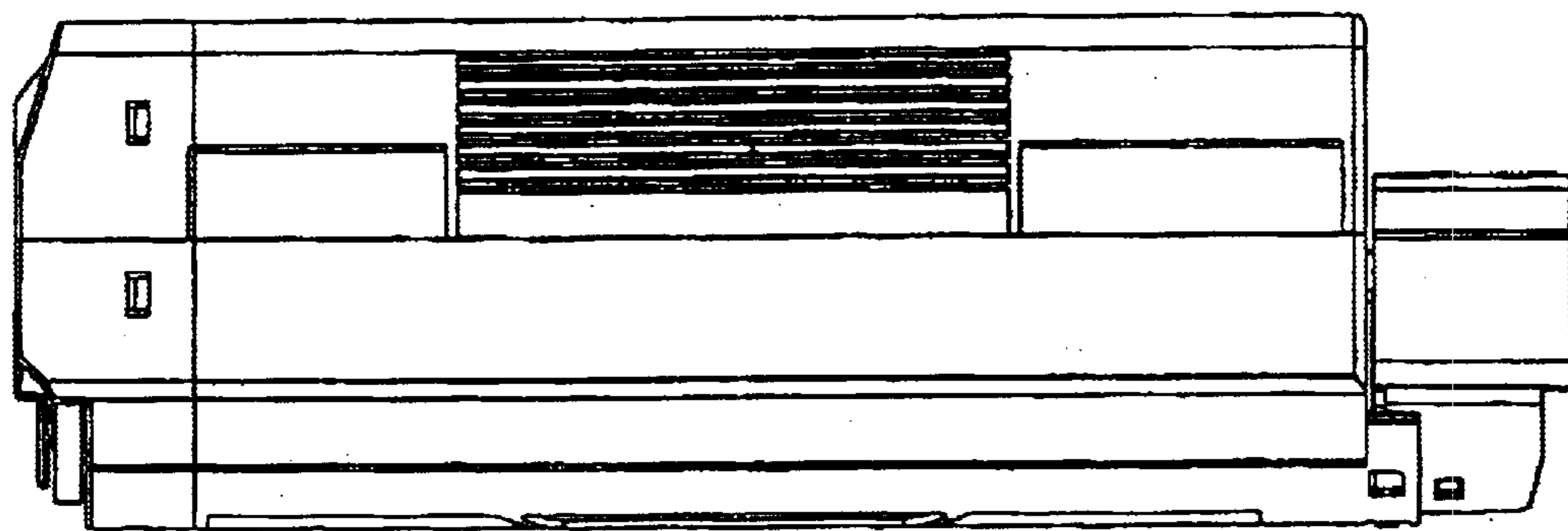


FIG. 3

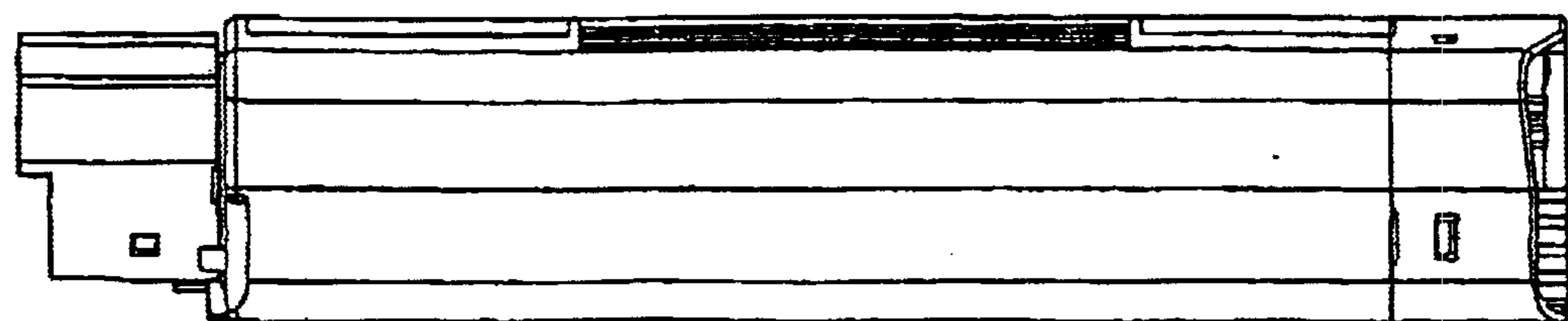


FIG. 4

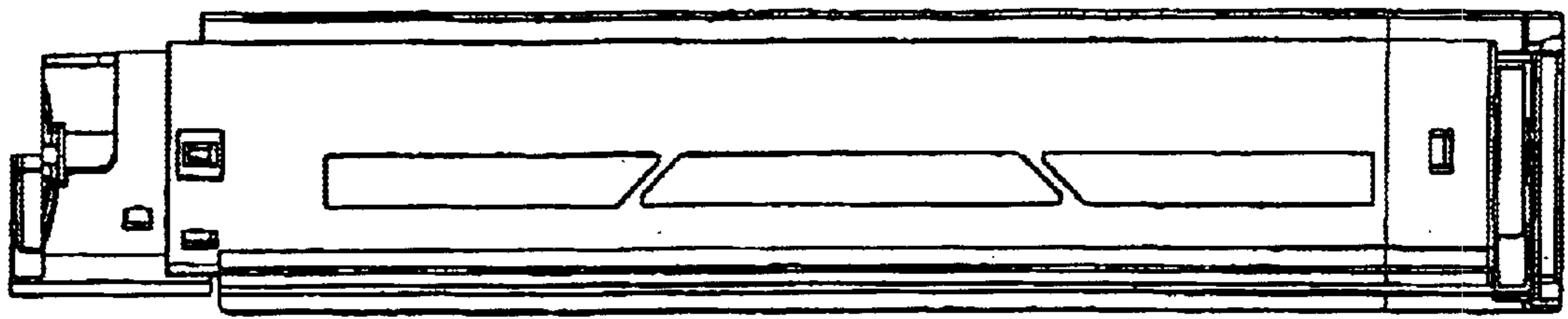


FIG. 5

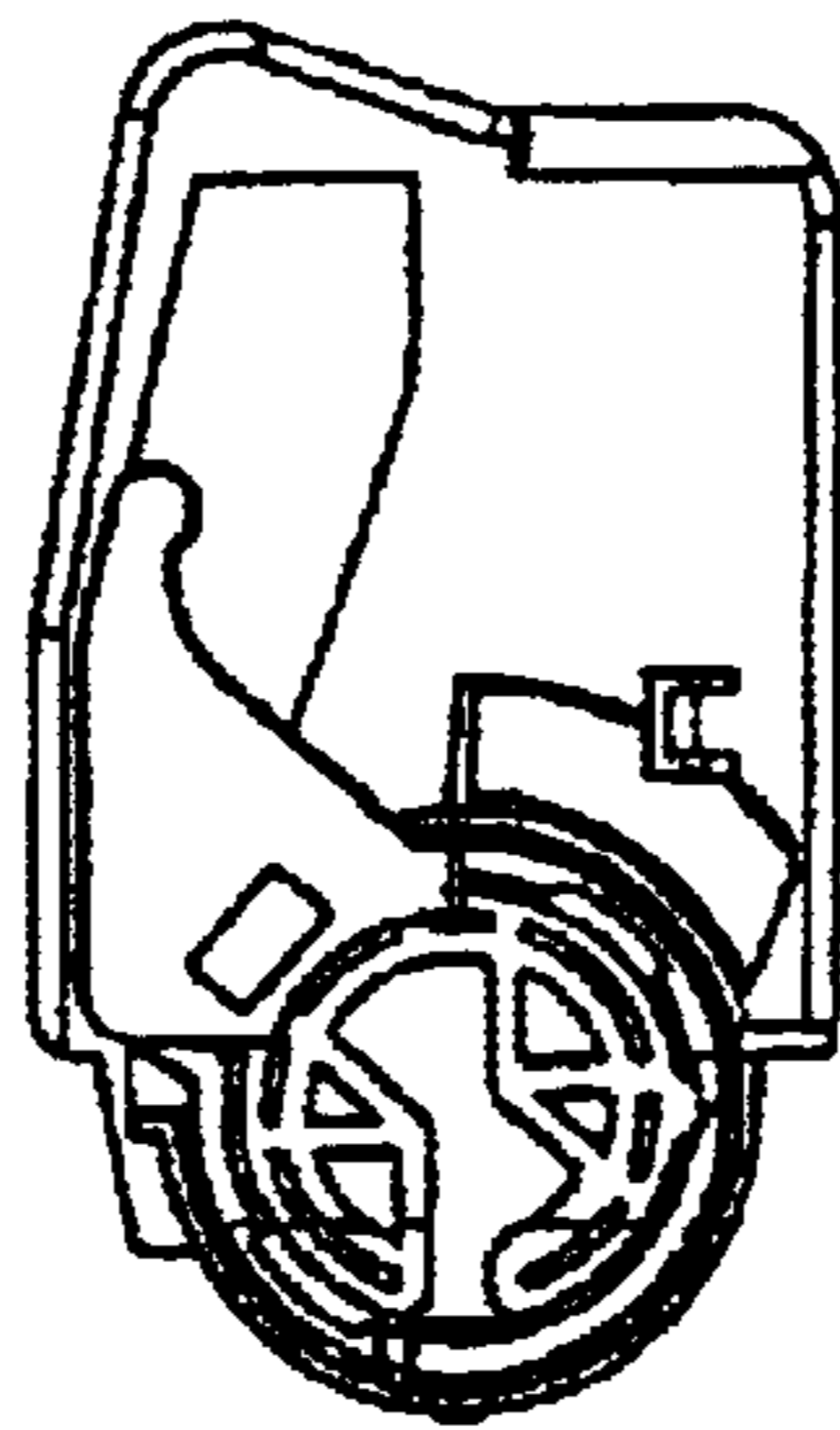


FIG. 6

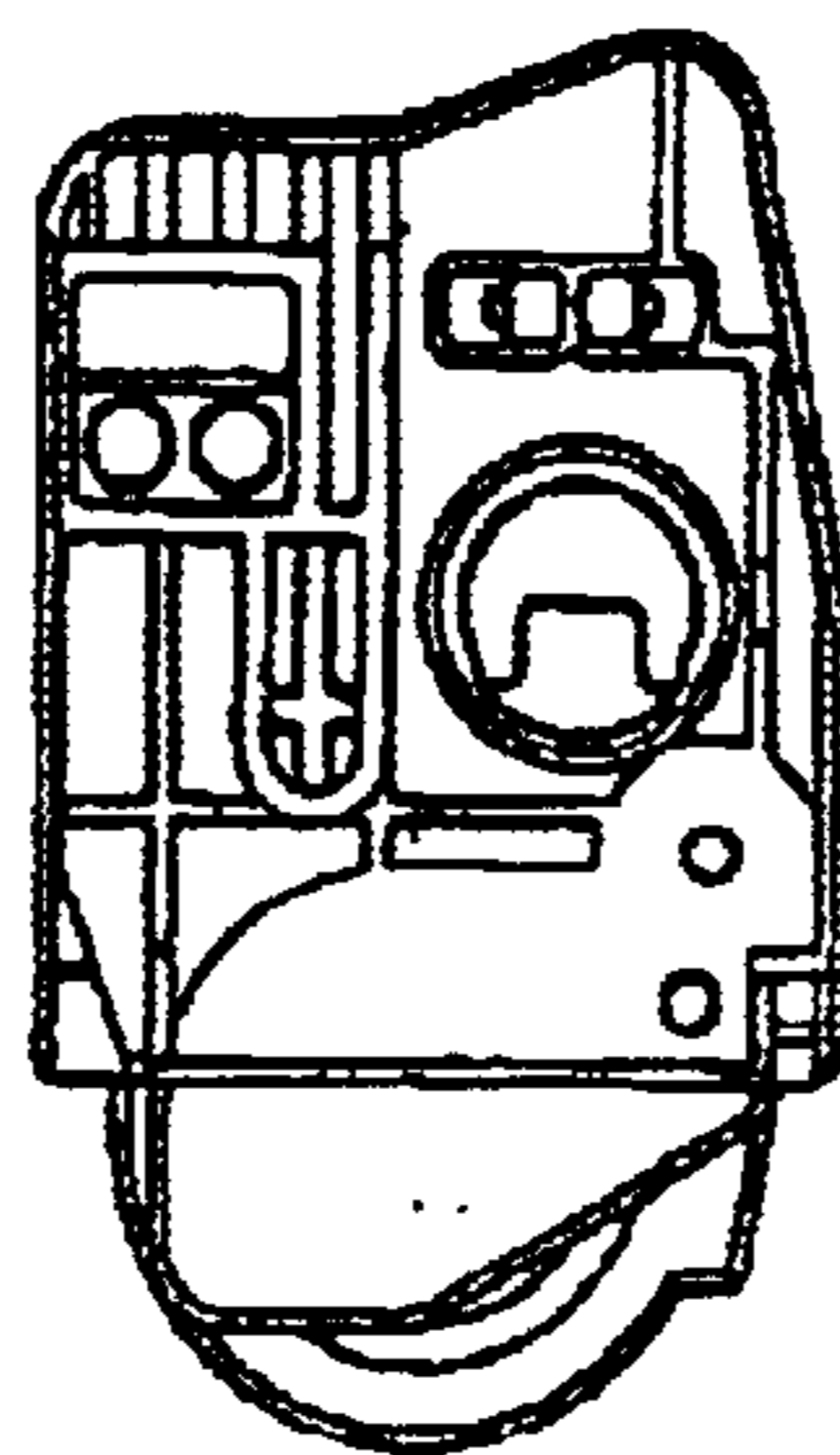


FIG. 7