



US00D491598S

(12) **United States Design Patent**
Shimobayashi

(10) **Patent No.:** **US D491,598 S**

(45) **Date of Patent:** **** Jun. 15, 2004**

(54) **DIGITAL CAMERA**

(75) Inventor: **Koji Shimobayashi**, Hachioji (JP)

(73) Assignee: **Olympus Corporation**, Tokyo

(**) Term: **14 Years**

(21) Appl. No.: **29/192,033**

(22) Filed: **Oct. 15, 2003**

Related U.S. Application Data

(62) Division of application No. 29/169,698, filed on Oct. 24, 2002, now Pat. No. Des. 486,508.

(30) **Foreign Application Priority Data**

Sep. 24, 2002 (JP) 2002-26023
Sep. 24, 2002 (JP) 2002-26024

(51) **LOC (7) Cl.** **16-05**

(52) **U.S. Cl.** **D16/219; D16/202; D16/209**

(58) **Field of Search** **D16/200-204, D16/208, 209, 211, 212, 217, 218, 219; 396/176-178, 535-541**

(56) **References Cited**

U.S. PATENT DOCUMENTS

4,893,140 A * 1/1990 Yamamoto et al. 396/177
D372,724 S 8/1996 Funato et al. D16/217
D390,860 S 2/1998 Kim D16/217
5,721,984 A 2/1998 Kaneko et al. 396/177
D430,184 S * 8/2000 Tanaka D16/209
D430,187 S 8/2000 Naito D16/218

6,115,557 A * 9/2000 Maeda et al. 396/535
D448,039 S * 9/2001 Horikiri D16/212
D456,430 S 4/2002 Kobayashi et al. D16/202
D462,704 S * 9/2002 Suzuki et al. D16/202
D462,705 S 9/2002 Hamamura D16/202
6,510,286 B1 * 1/2003 Terada et al. 396/177

OTHER PUBLICATIONS

Olympus Catalog of digital camera (C-700 Ultra Zoom) published Apr. 1, 2001.

Website showing a digital camera (C-700 Ultra Zoom) published Mar. 21, 2001.

* cited by examiner

Primary Examiner—Adir Aronovich

(74) *Attorney, Agent, or Firm*—Hogan & Hartson LLP

(57) **CLAIM**

The ornamental design for a digital camera, as shown and described.

DESCRIPTION

FIG. 1 is a front, top and left side perspective view of a digital camera;

FIG. 2 is a front, top and left side perspective view thereof with an electronic flashing unit in a closed state;

FIG. 3 is a front elevational view of FIG. 1;

FIG. 4 is a rear elevational view thereof;

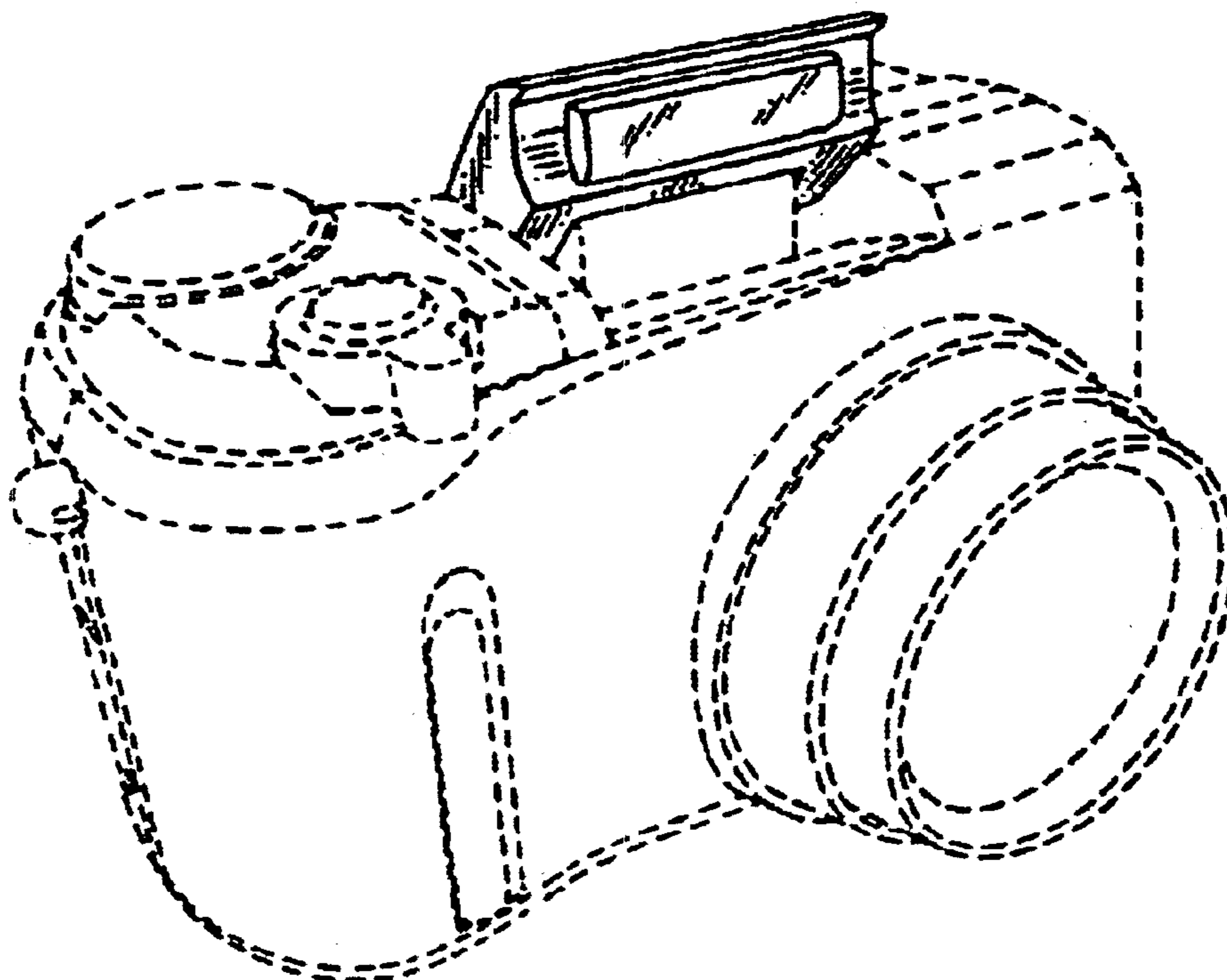
FIG. 5 is a top plan view thereof;

FIG. 6 is a bottom plan view thereof;

FIG. 7 is a right side elevational view thereof; and,

FIG. 8 is a left side elevational view thereof.

1 Claim, 4 Drawing Sheets



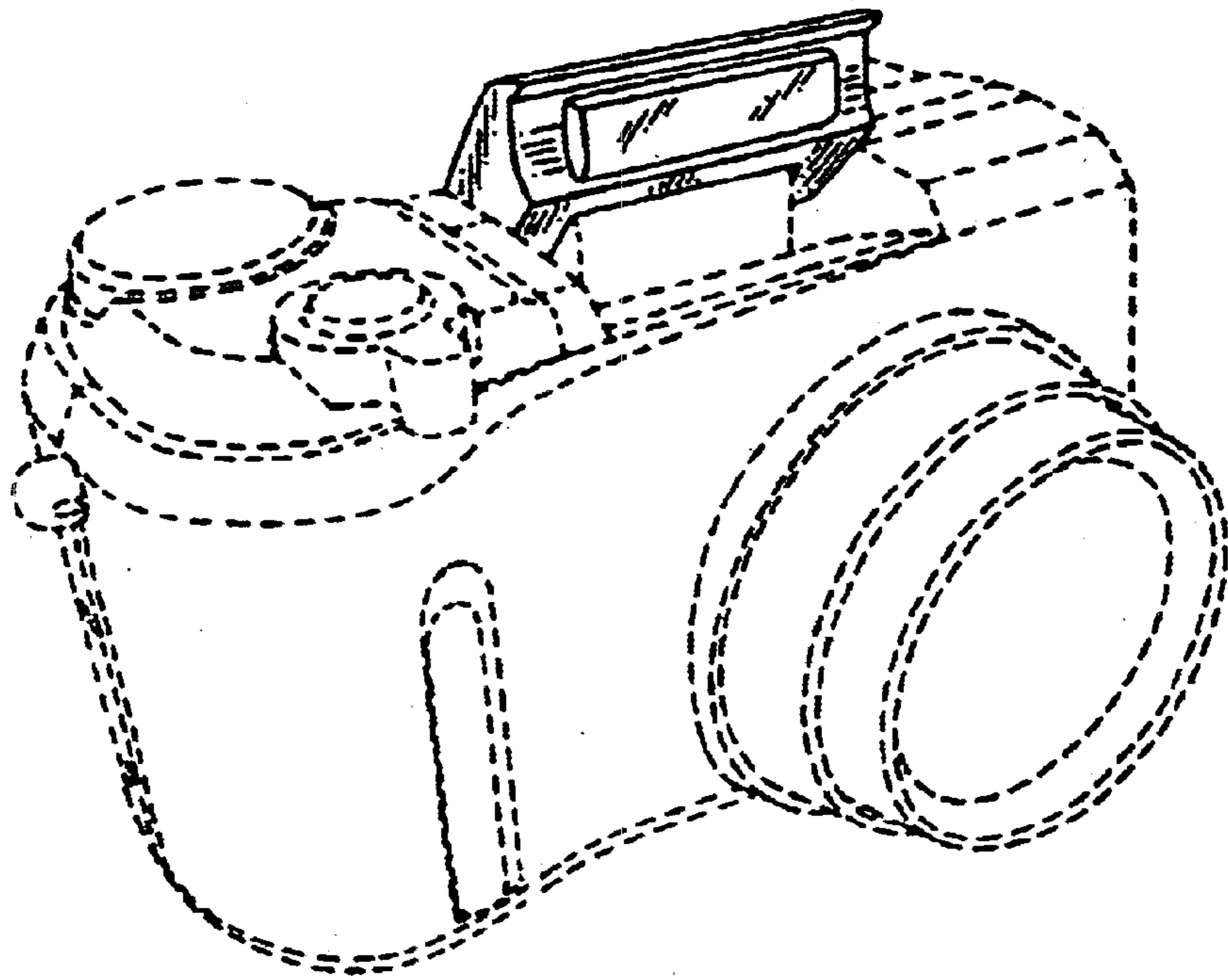


FIG. 1

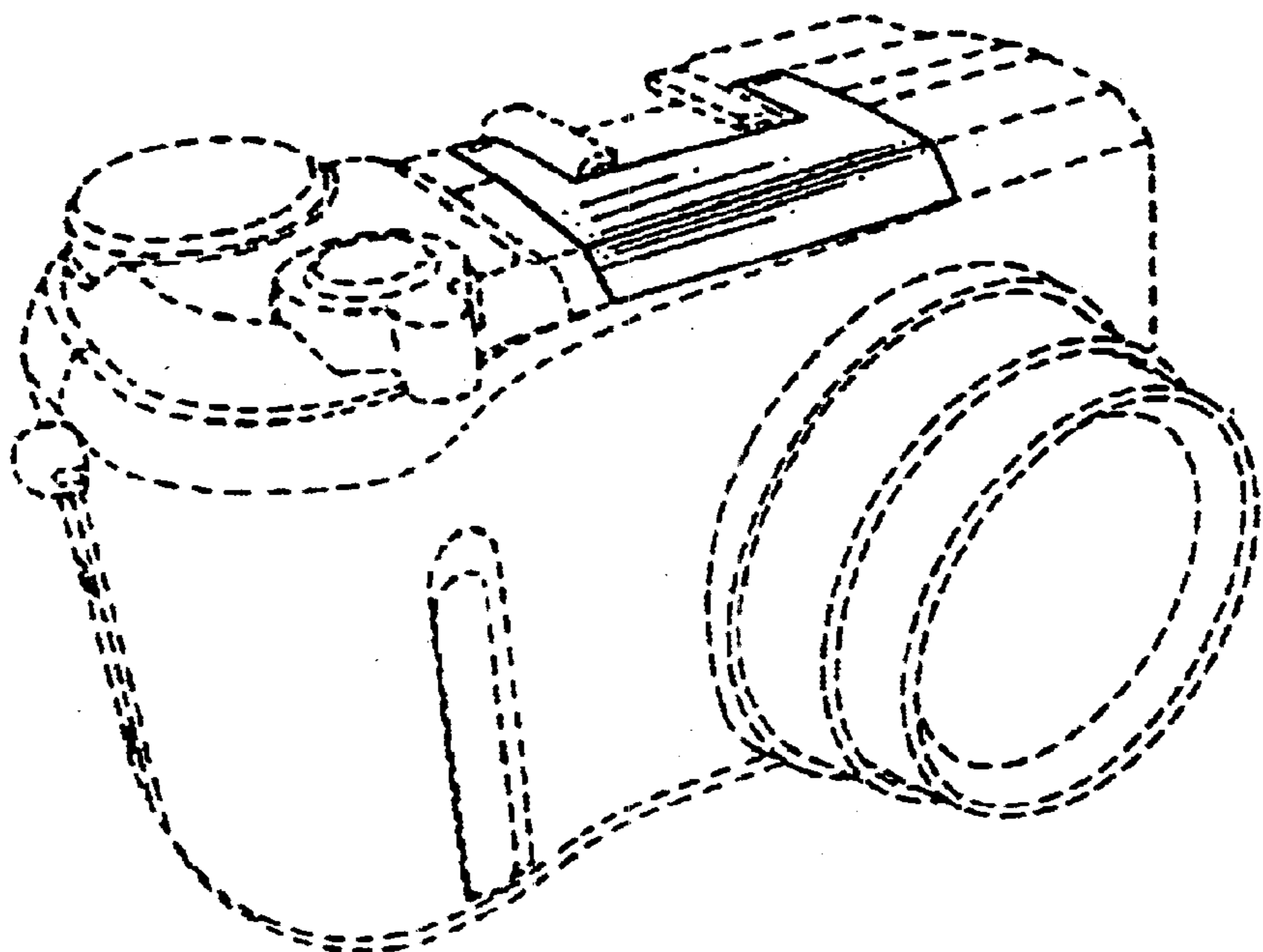


FIG. 2

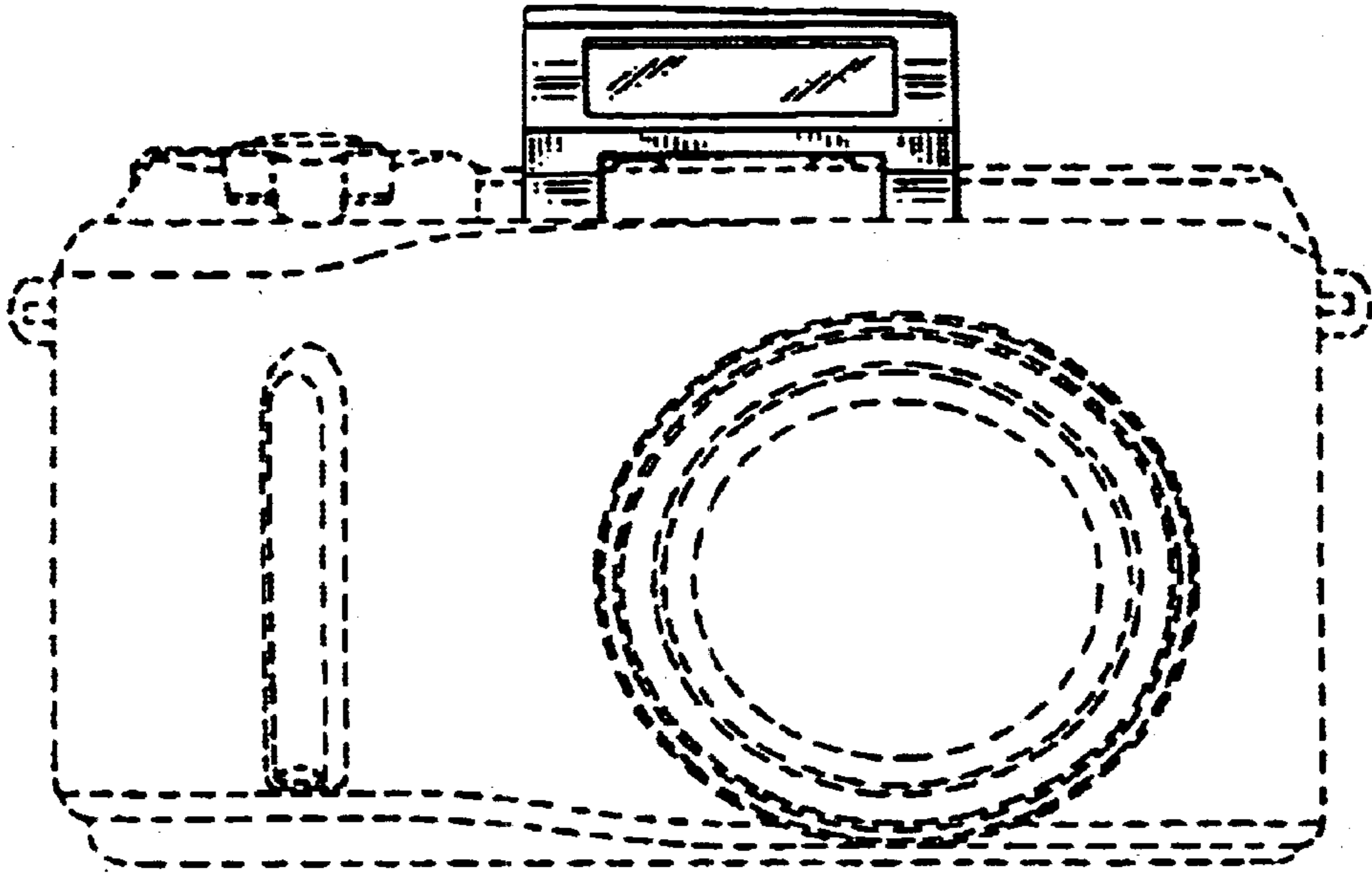


FIG. 3

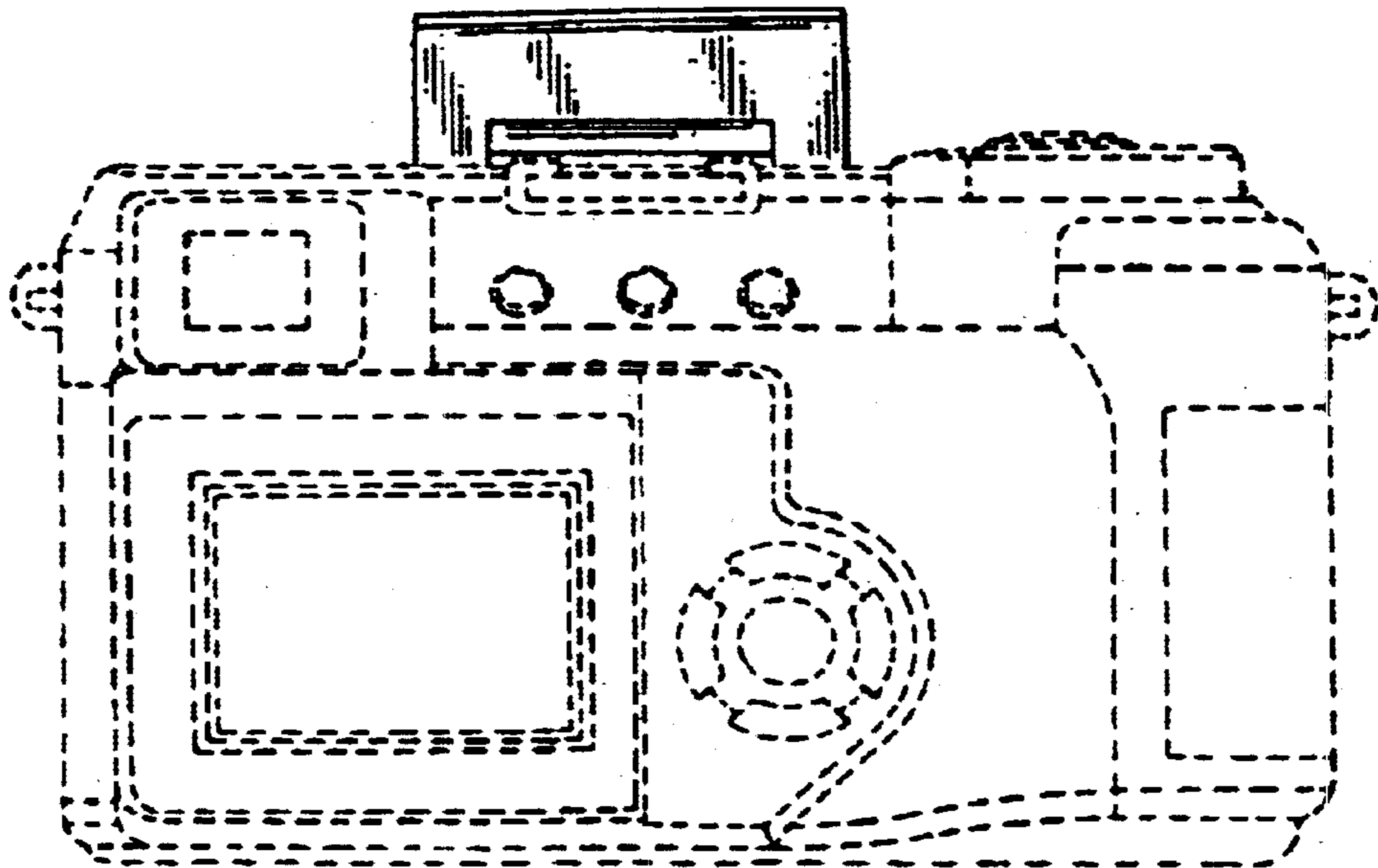


FIG. 4

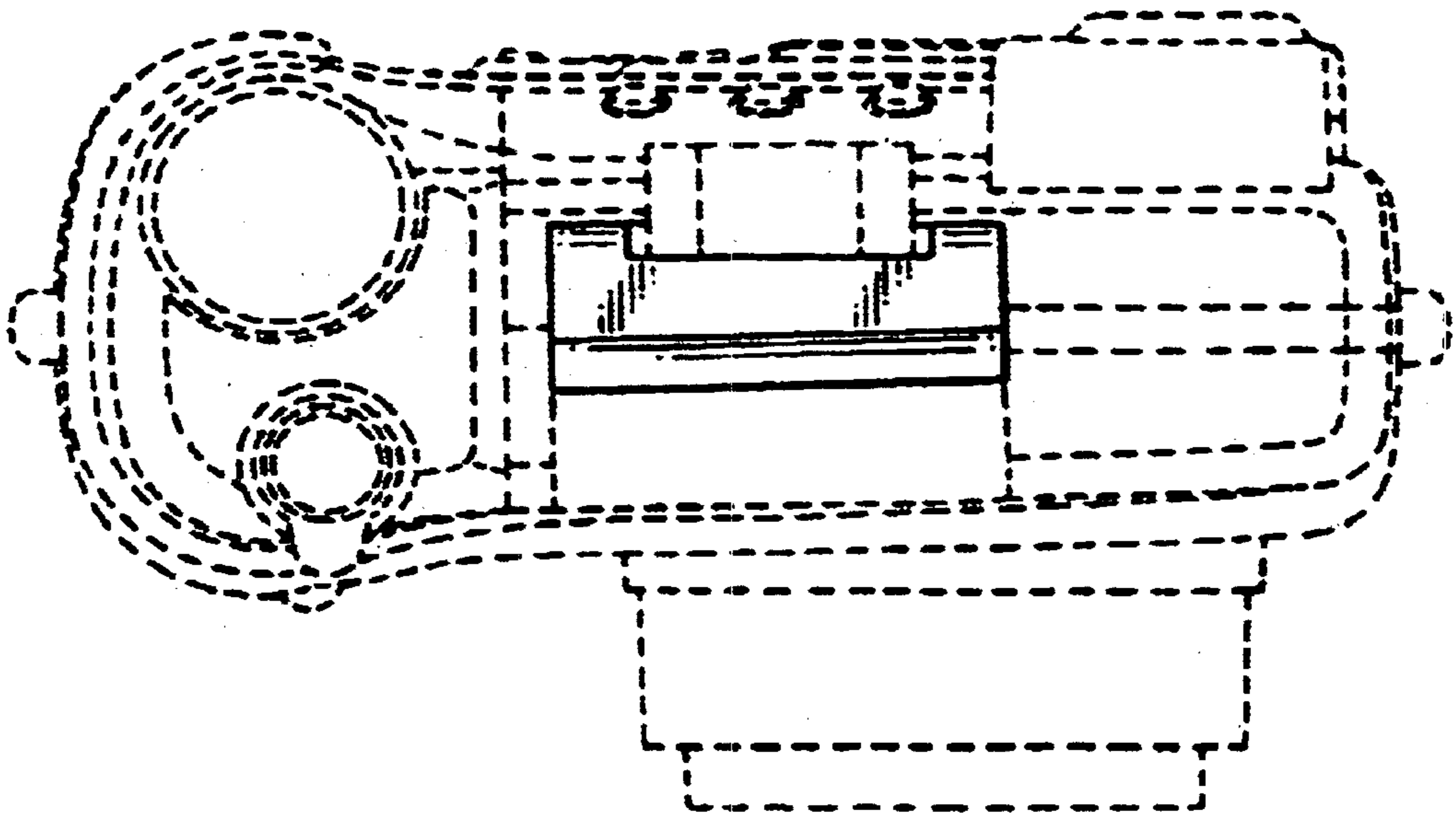


FIG. 5

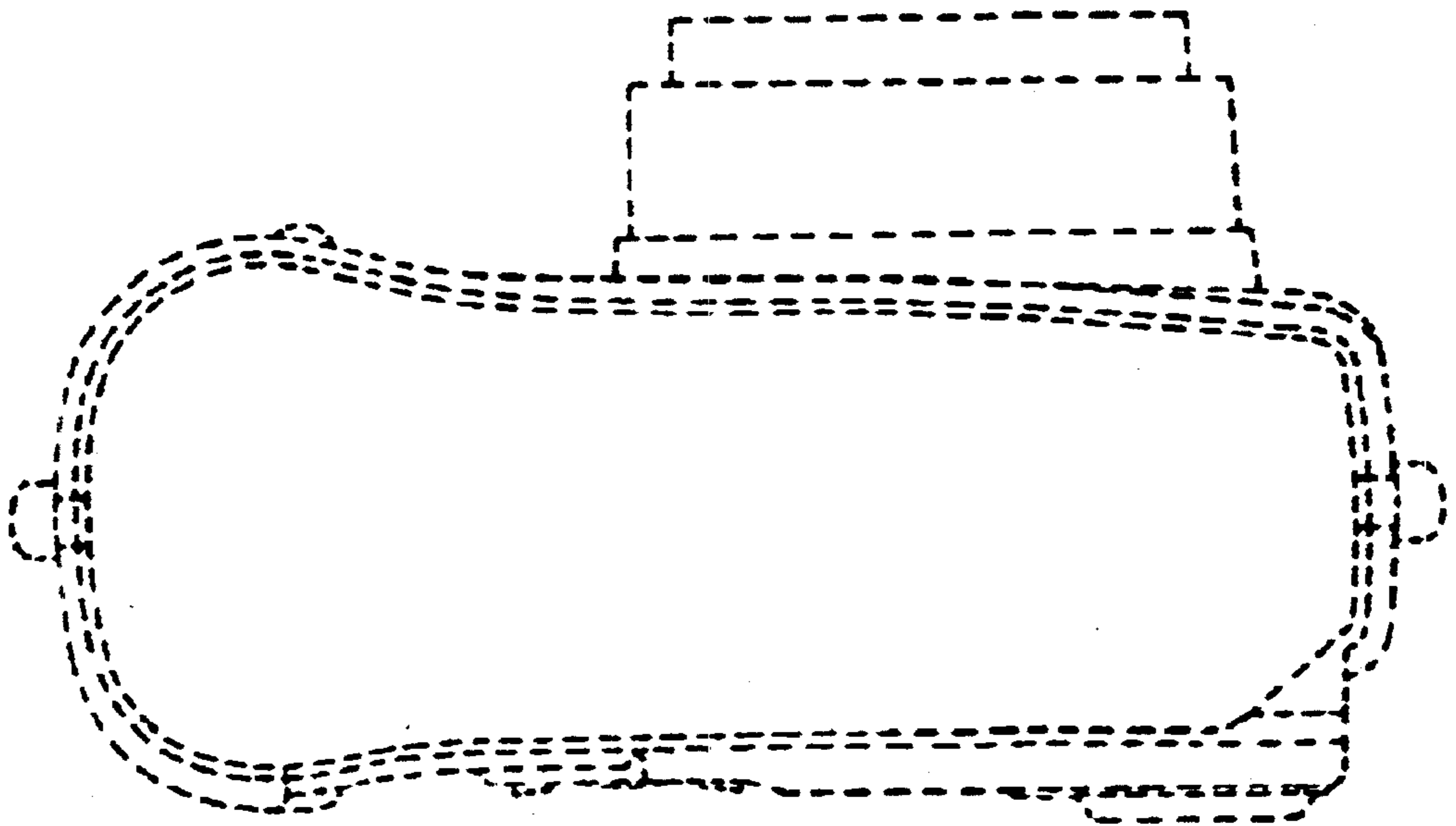


FIG. 6

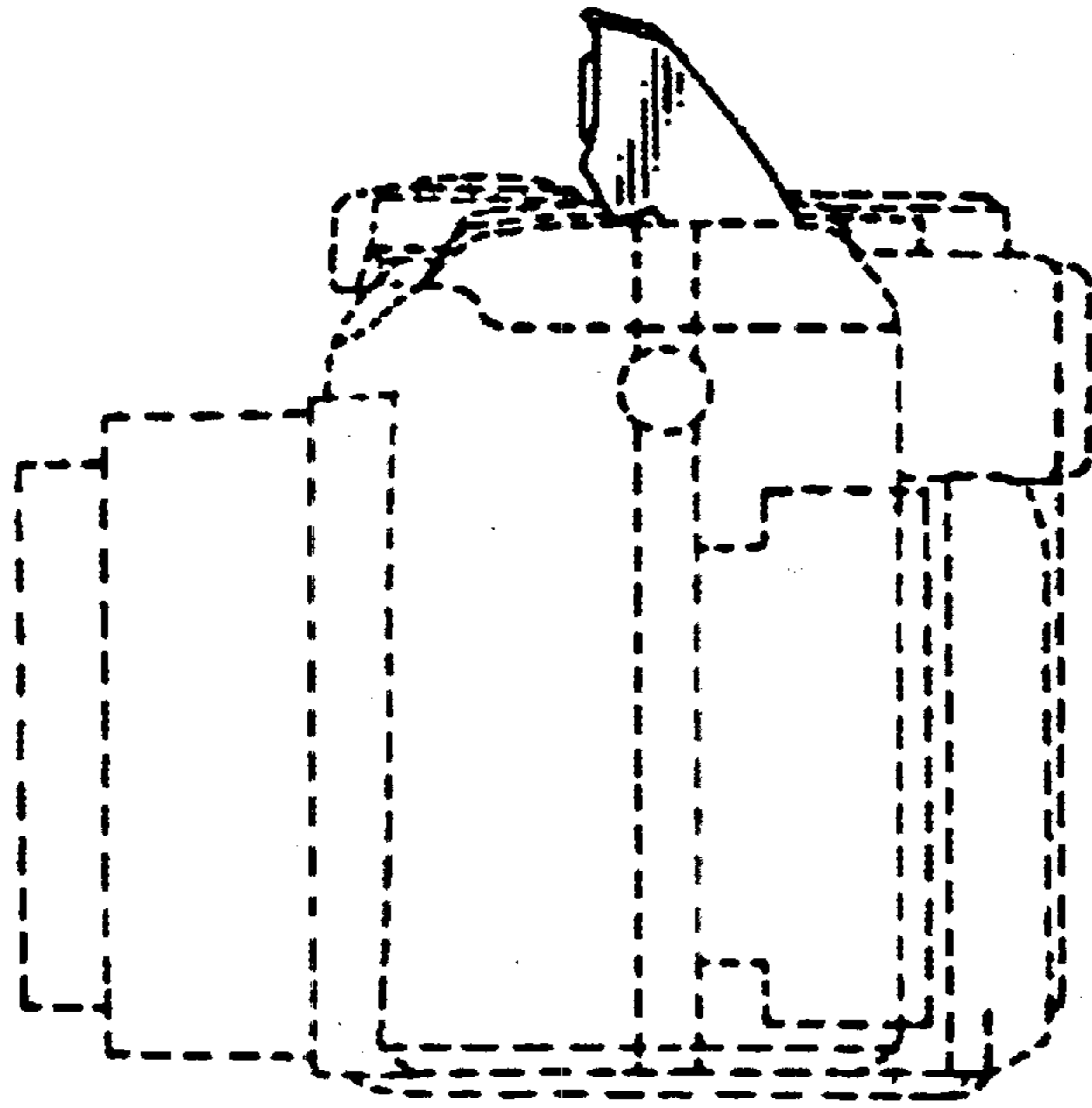


FIG. 7

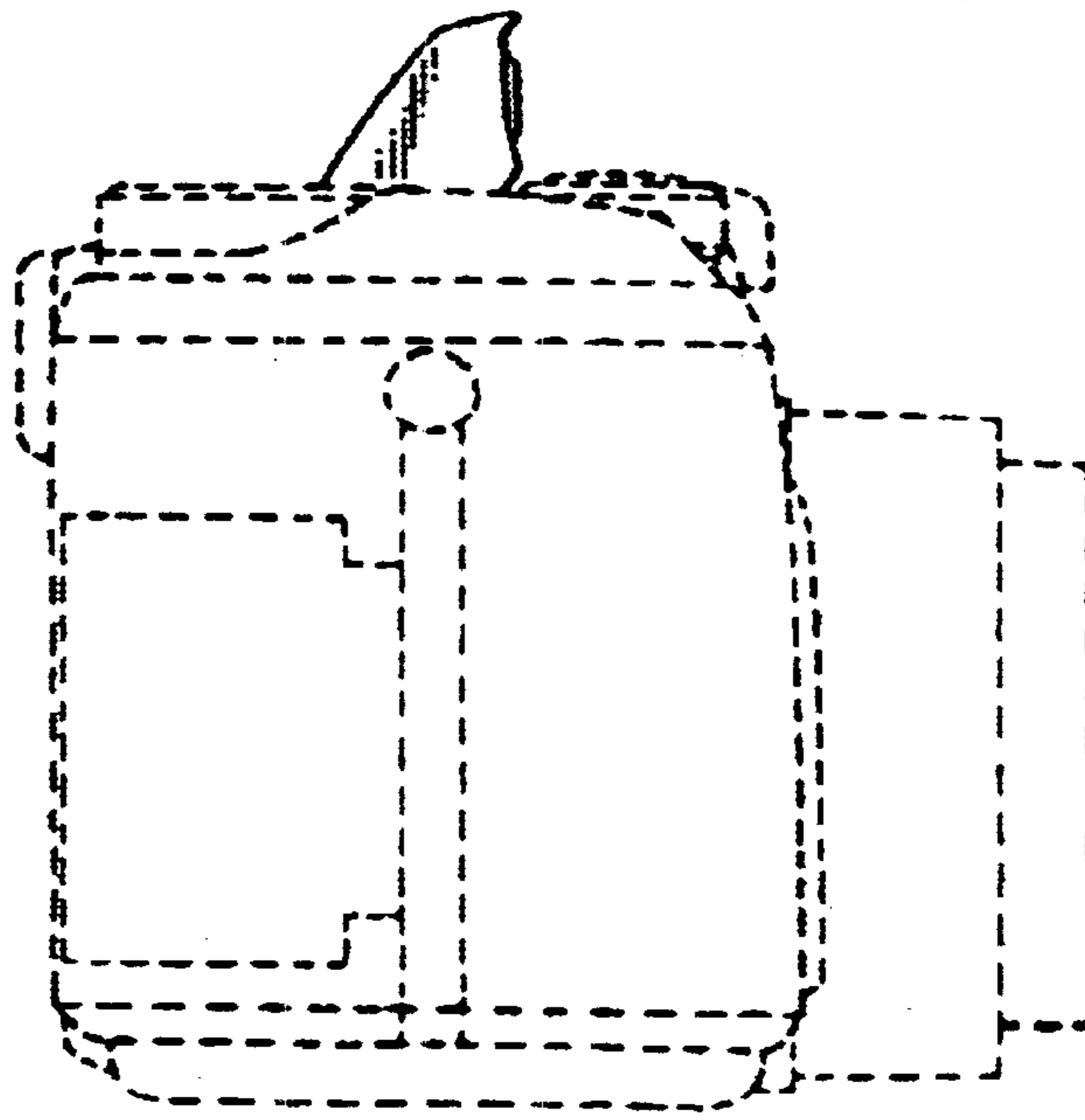


FIG. 8

UNITED STATES PATENT AND TRADEMARK OFFICE
CERTIFICATE OF CORRECTION

PATENT NO. : Des. 491,598 S
APPLICATION NO. : 29/192033
DATED : June 15, 2004
INVENTOR(S) : Shimobayashi

Page 1 of 6

It is certified that error appears in the above-identified patent and that said Letters Patent is hereby corrected as shown below:

The title page showing the illustrative figure should be deleted to be replaced with the attached title page.

The drawing sheets, consisting of Figs. 1-8, should be deleted to be replaced with the drawing sheets, consisting of Figs. 1-8, as shown on the attached page.

Signed and Sealed this

Fifteenth Day of July, 2008

A handwritten signature in black ink that reads "Jon W. Dudas". The signature is written in a cursive style with a large, stylized initial "J".

JON W. DUDAS

Director of the United States Patent and Trademark Office

(12) **United States Design Patent**
Shimobayashi

(10) Patent No.: **US D491,598 S**

(45) Date of Patent: **** Jun. 15, 2004**

(54) **DIGITAL CAMERA**

(75) Inventor: **Koji Shimobayashi, Hachioji (JP)**

(73) Assignee: **Olympus Corporation, Tokyo**

(**) Term: **14 Years**

(21) Appl. No.: **29/192,033**

(22) Filed: **Oct. 15, 2003**

Related U.S. Application Data

(62) Division of application No. 29/169,698, filed on Oct. 24, 2002, now Pat. No. Des. 486,508.

(30) **Foreign Application Priority Data**

Sep. 24, 2002 (JP) 2002-26023
 Sep. 24, 2002 (JP) 2002-26024

(51) **LOC (7) CL** **16-05**

(52) **U.S. CL** **D16/219; D16/202; D16/209**

(58) **Field of Search** **D16/200-204, D16/208, 209, 211, 212, 217, 218, 219; 396/176-178, 535-541**

(56) **References Cited**

U.S. PATENT DOCUMENTS

4,893,140 A * 1/1990 Yamamoto et al. 396/177
 D372,724 S 8/1996 Funato et al. D16/217
 D390,860 S 2/1998 Kim D16/217
 5,721,984 A 2/1998 Kaneko et al. 396/177
 D430,184 S * 8/2000 Tanaka D16/209
 D430,187 S 8/2000 Naito D16/218

6,115,557 A * 9/2000 Maeda et al. 396/535
 D448,039 S * 9/2001 Horikiri D16/212
 D456,430 S 4/2002 Kobayashi et al. D16/202
 D462,704 S * 9/2002 Suzuki et al. D16/202
 D462,705 S 9/2002 Hamamura D16/202
 6,510,286 B1 * 1/2003 Terada et al. 396/177

OTHER PUBLICATIONS

Olympus Catalog of digital camera (C-700 Ultra Zoom) published Apr. 1, 2001.
 Website showing a digital camera (C-700 Ultra Zoom) published Mar. 21, 2001.

* cited by examiner

Primary Examiner—Adir Aronovich

(74) *Attorney, Agent, or Firm*—Hogan & Hartson LLP

(57)

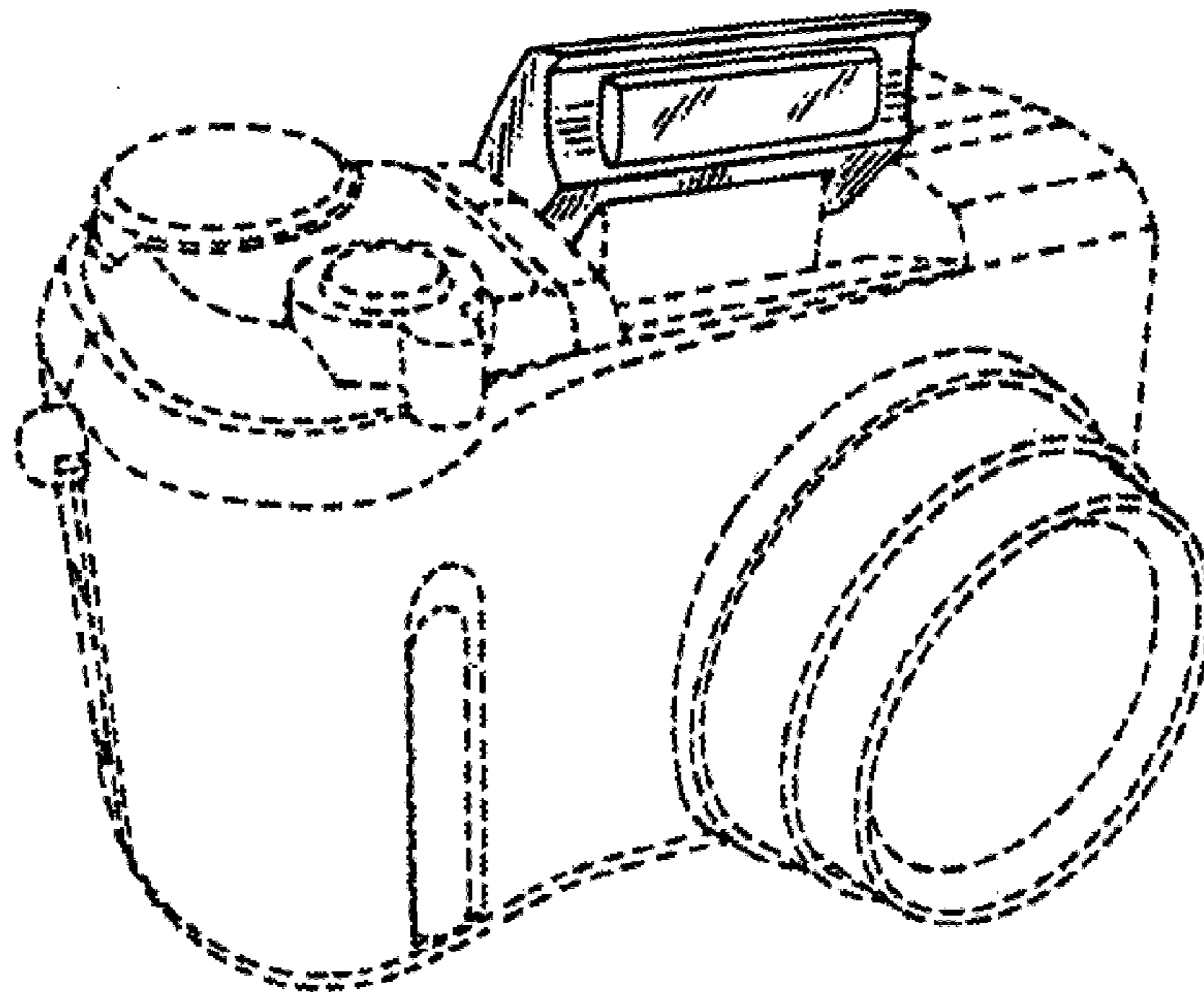
CLAIM

The ornamental design for a digital camera, as shown and described.

DESCRIPTION

FIG. 1 is a front, top and left side perspective view of a digital camera;
 FIG. 2 is a front, top and left side perspective view thereof with an electronic flashing unit in a closed state;
 FIG. 3 is a front elevational view of FIG. 1;
 FIG. 4 is a rear elevational view thereof;
 FIG. 5 is a top plan view thereof;
 FIG. 6 is a bottom plan view thereof;
 FIG. 7 is a right side elevational view thereof; and,
 FIG. 8 is a left side elevational view thereof.

1 Claim, 4 Drawing Sheets



U.S. Patent

Jun. 15, 2004

Sheet 1 of 4

D491,598 S

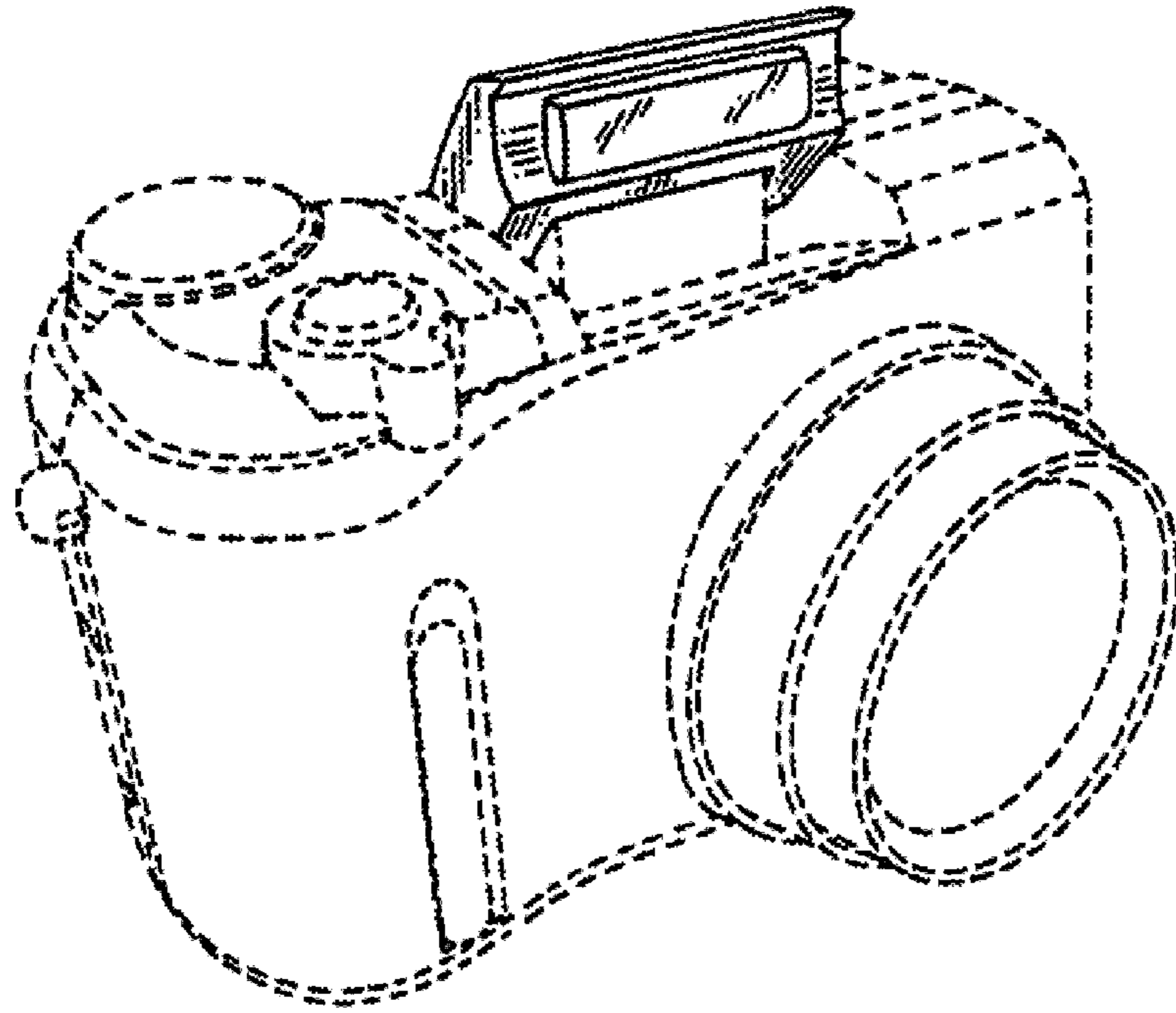


FIG. 1

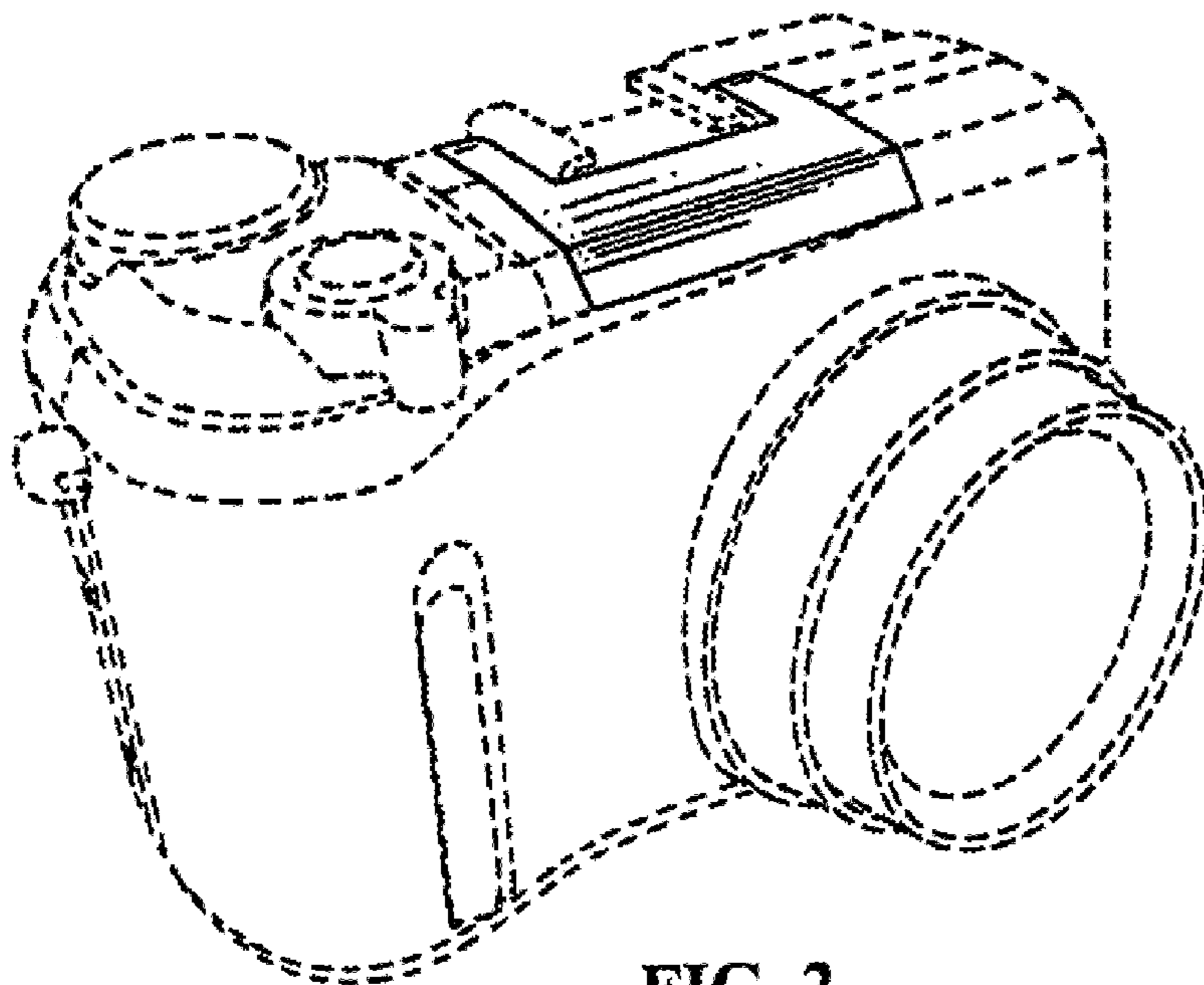


FIG. 2

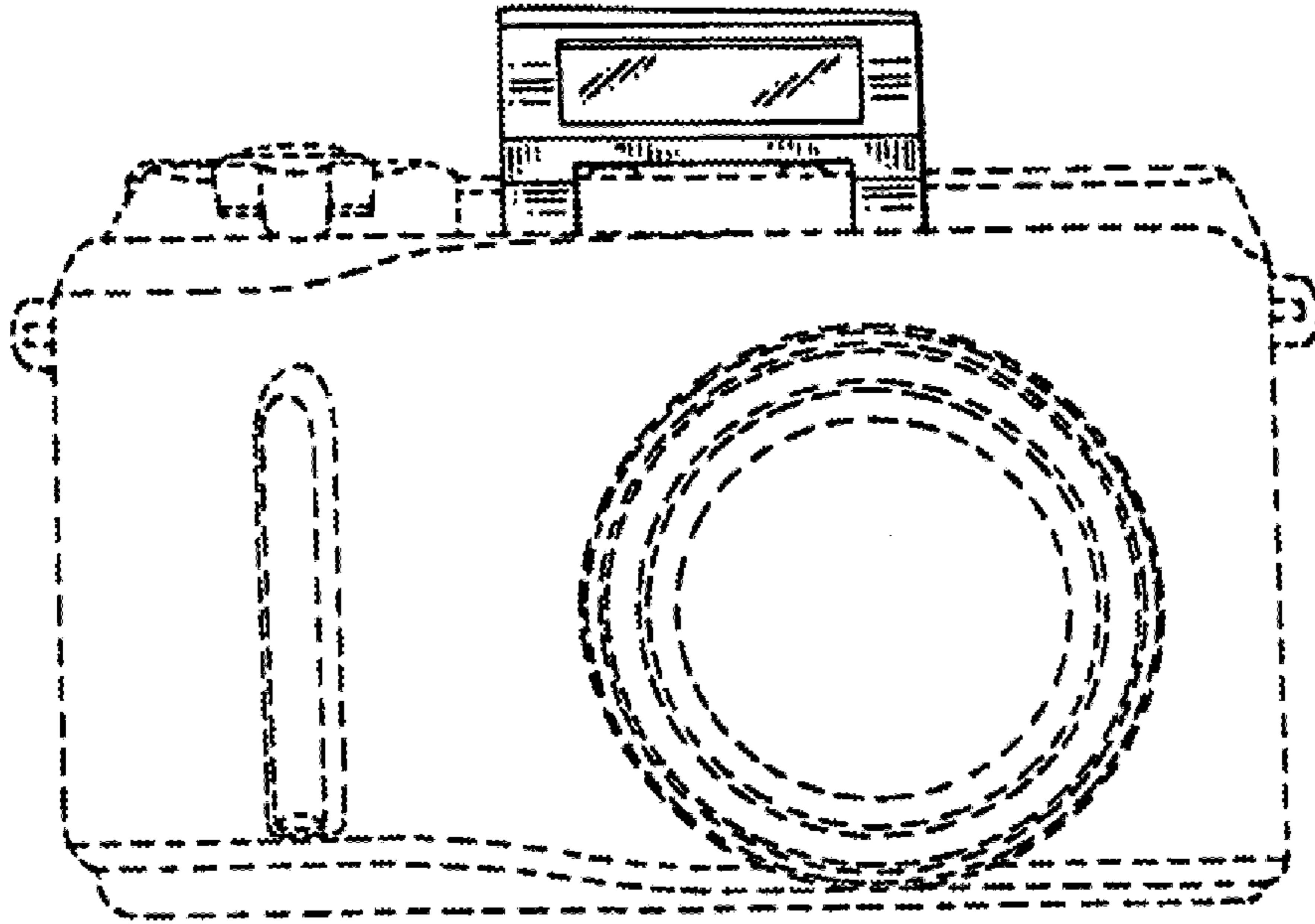


FIG. 3

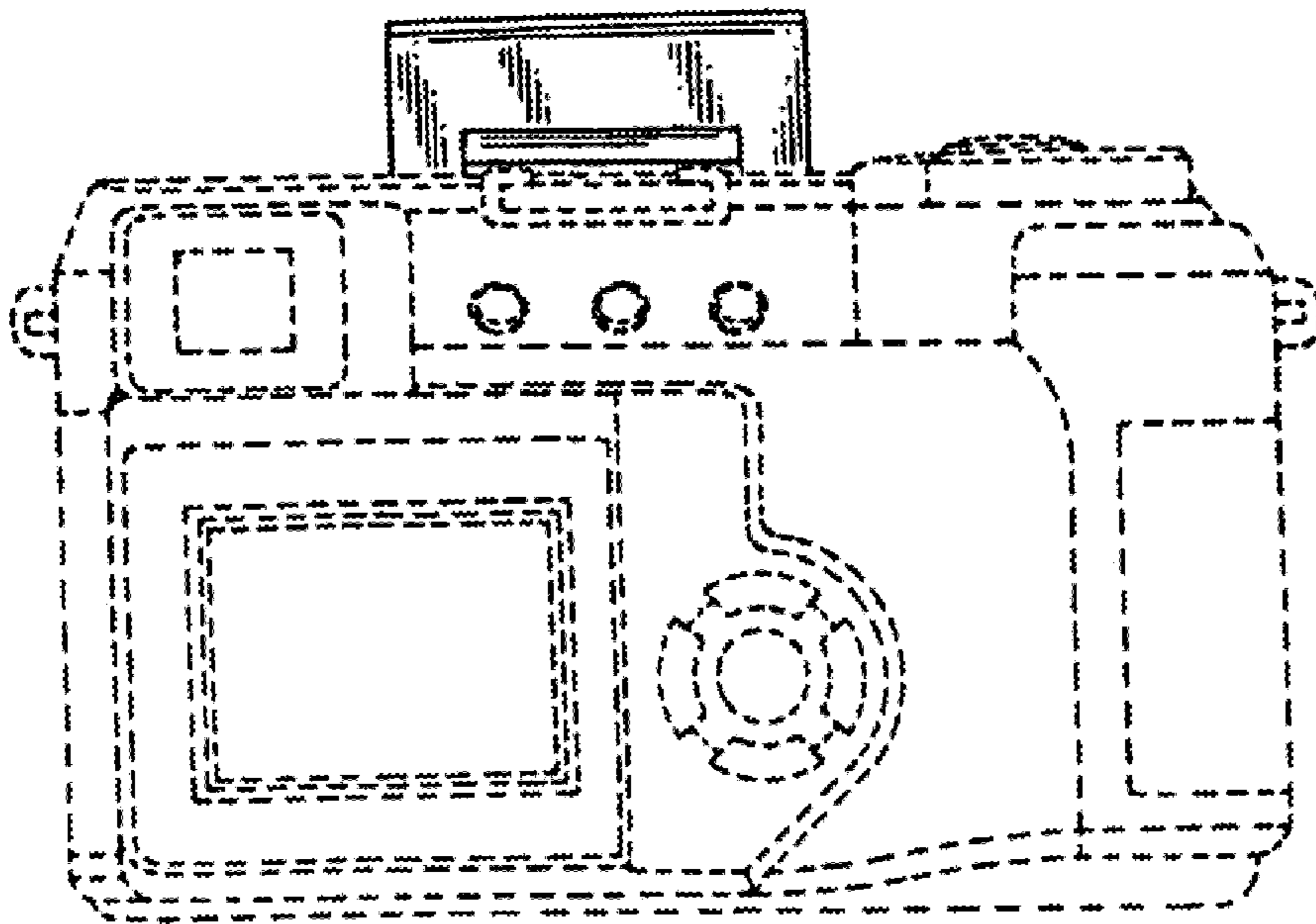


FIG. 4

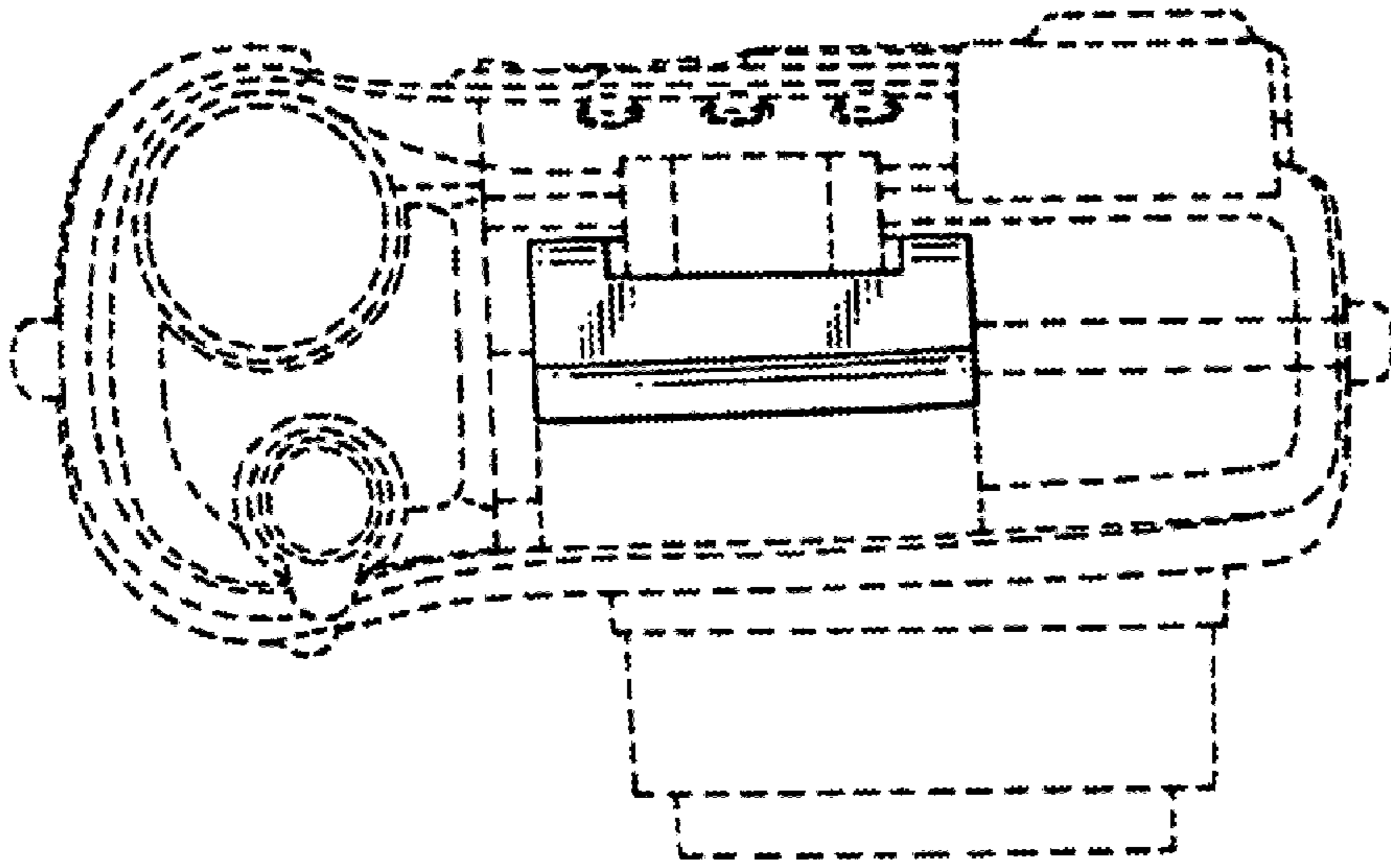


FIG. 5

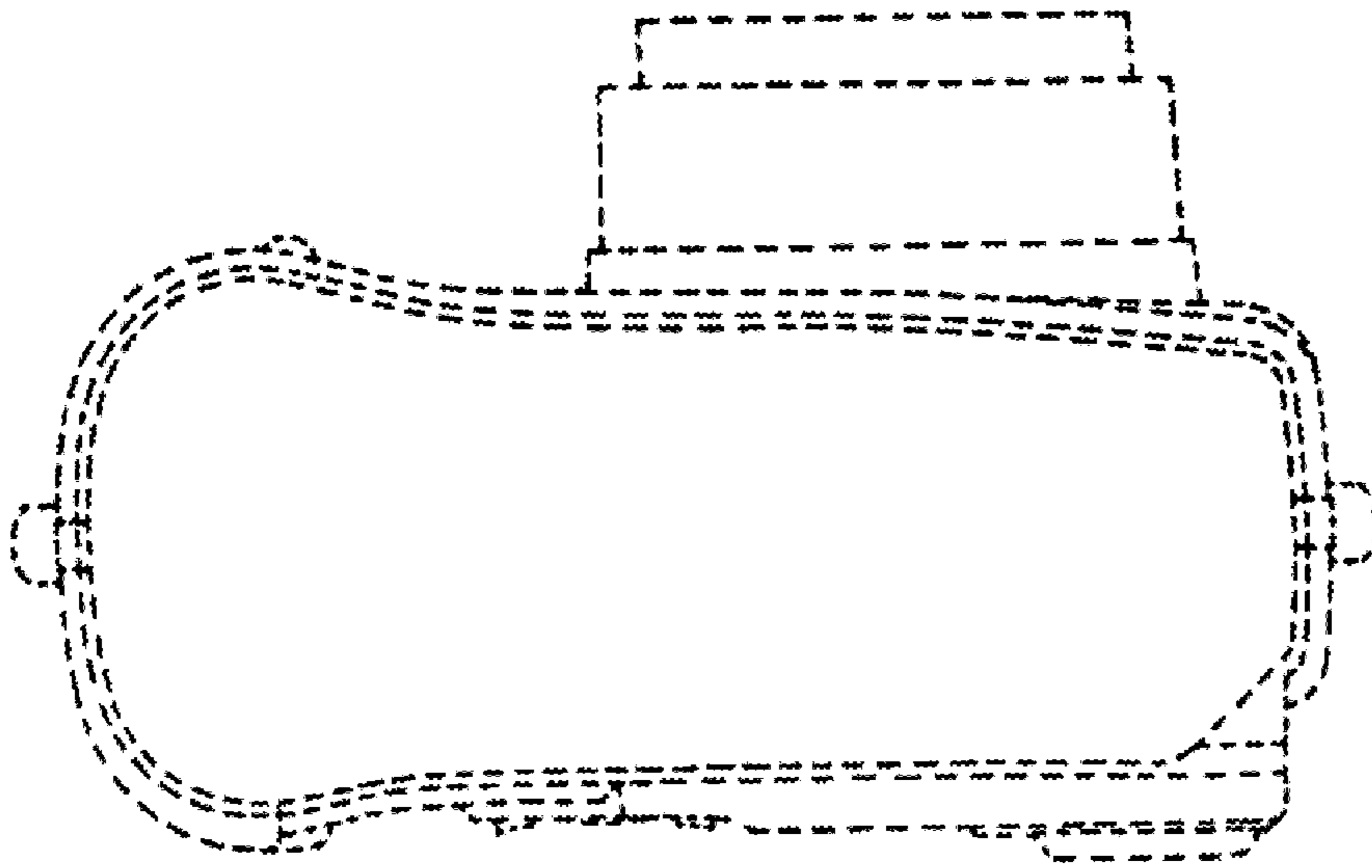


FIG. 6

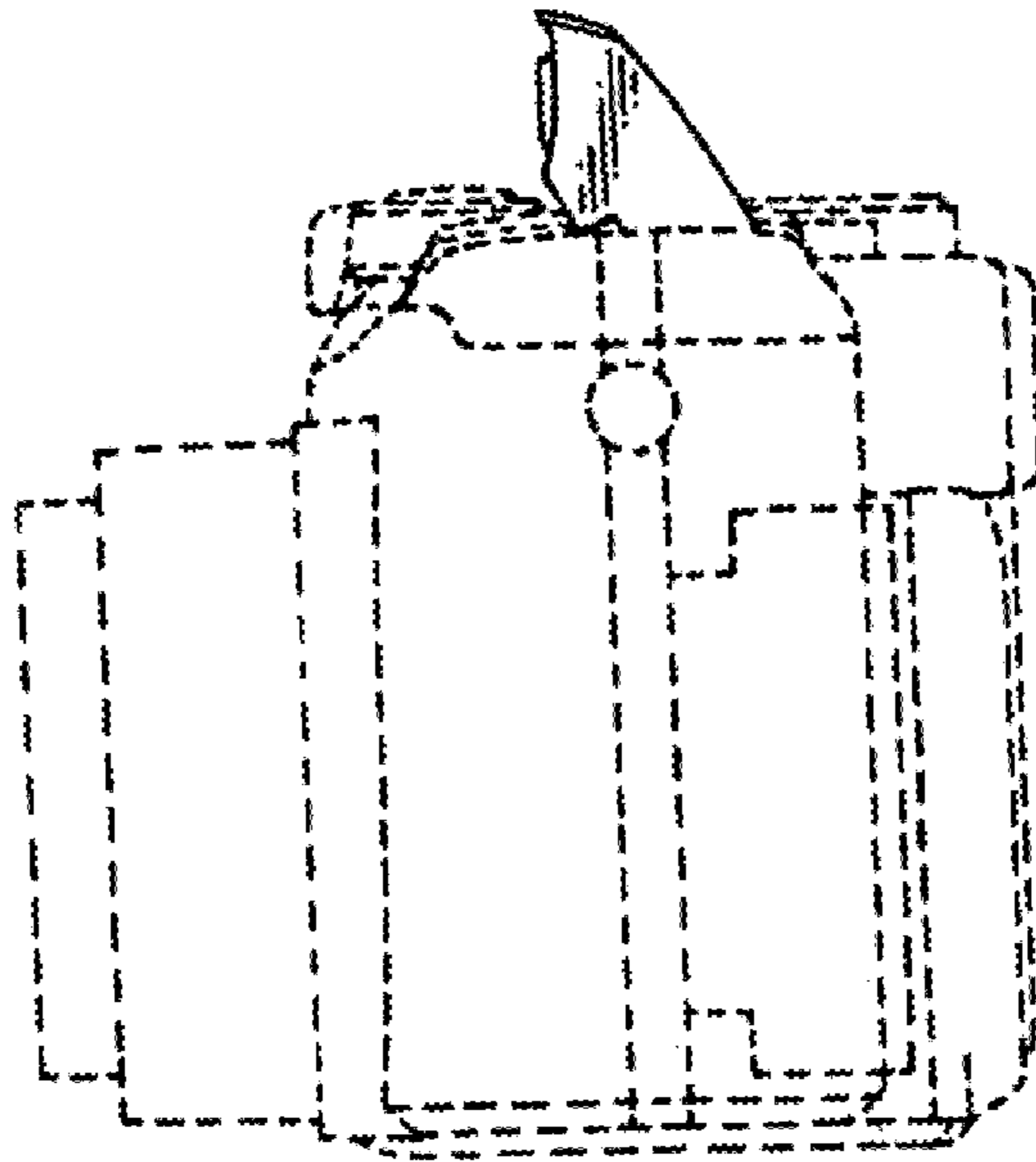


FIG. 7

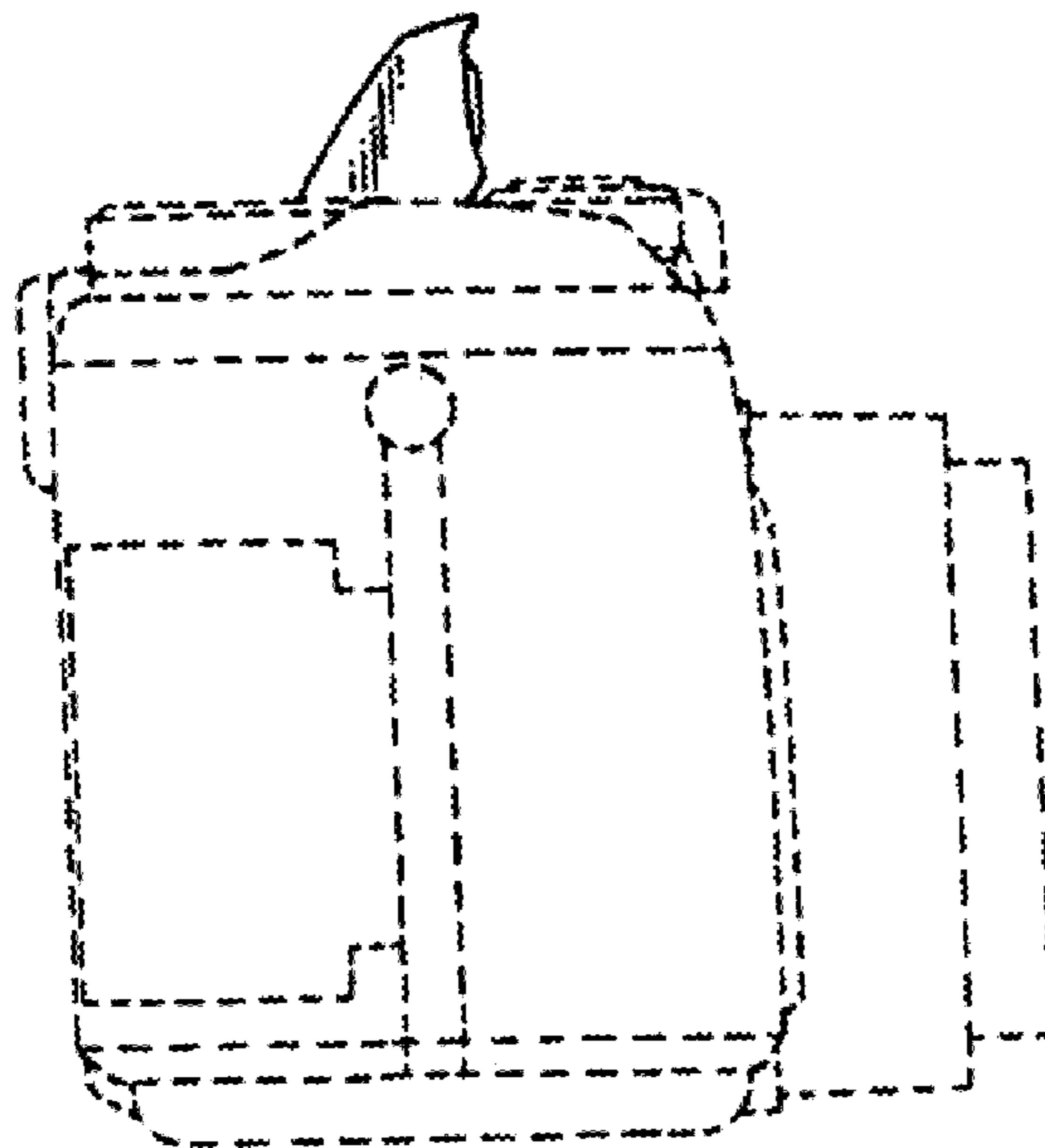


FIG. 8