



US00D491596S

(12) **United States Design Patent**  
**Haga**

(10) **Patent No.:** **US D491,596 S**

(45) **Date of Patent:** **\*\* Jun. 15, 2004**

(54) **DIGITAL CAMERA**

(75) Inventor: **Masaaki Haga**, Tokyo (JP)

(73) Assignee: **PENTAX Corporation**, Tokyo (JP)

(\*\*) Term: **14 Years**

(21) Appl. No.: **29/188,806**

(22) Filed: **Aug. 25, 2003**

(30) **Foreign Application Priority Data**

Feb. 26, 2003 (JP) ..... 2003-004642

(51) **LOC (7) Cl.** ..... **16-05**

(52) **U.S. Cl.** ..... **D16/219; D16/202; D16/217**

(58) **Field of Search** ..... **D16/200-206,**  
**D16/208, 216, 217, 218, 219; 348/373-376;**  
**358/909.1; 396/535-541, 354-359**

(56) **References Cited**

**U.S. PATENT DOCUMENTS**

- 4,406,533 A \* 9/1983 Yamamoto ..... 396/206
- 4,692,010 A \* 9/1987 Kataoka et al. .... 396/354
- D304,729 S \* 11/1989 Sugiyama et al. .... D16/217
- D379,823 S \* 6/1997 Haga ..... D16/217

- D433,434 S \* 11/2000 Hamamura ..... D16/217
- D433,435 S \* 11/2000 Hamamura ..... D16/219
- D439,922 S \* 4/2001 Kumakura ..... D16/217
- D482,713 S \* 11/2003 Hayashi ..... D16/217
- D485,289 S \* 1/2004 Hayashi ..... D16/219

\* cited by examiner

*Primary Examiner*—Adir Aronovich

(74) *Attorney, Agent, or Firm*—Sughrue Mion, PLLC

(57) **CLAIM**

The ornamental design for a digital camera, as shown and described.

**DESCRIPTION**

FIG. 1 is a perspective view of the top, front and right side of a digital camera showing my new design;  
 FIG. 2 is a front elevational view thereof;  
 FIG. 3 is a rear elevational view thereof;  
 FIG. 4 is a right side elevational view thereof;  
 FIG. 5 is a left side elevational view thereof;  
 FIG. 6 is a top plan view thereof; and,  
 FIG. 7 is a bottom plan view thereof.

The elements shown in broken lines are for illustrative purposes only and form no part of the claimed design.

**1 Claim, 4 Drawing Sheets**

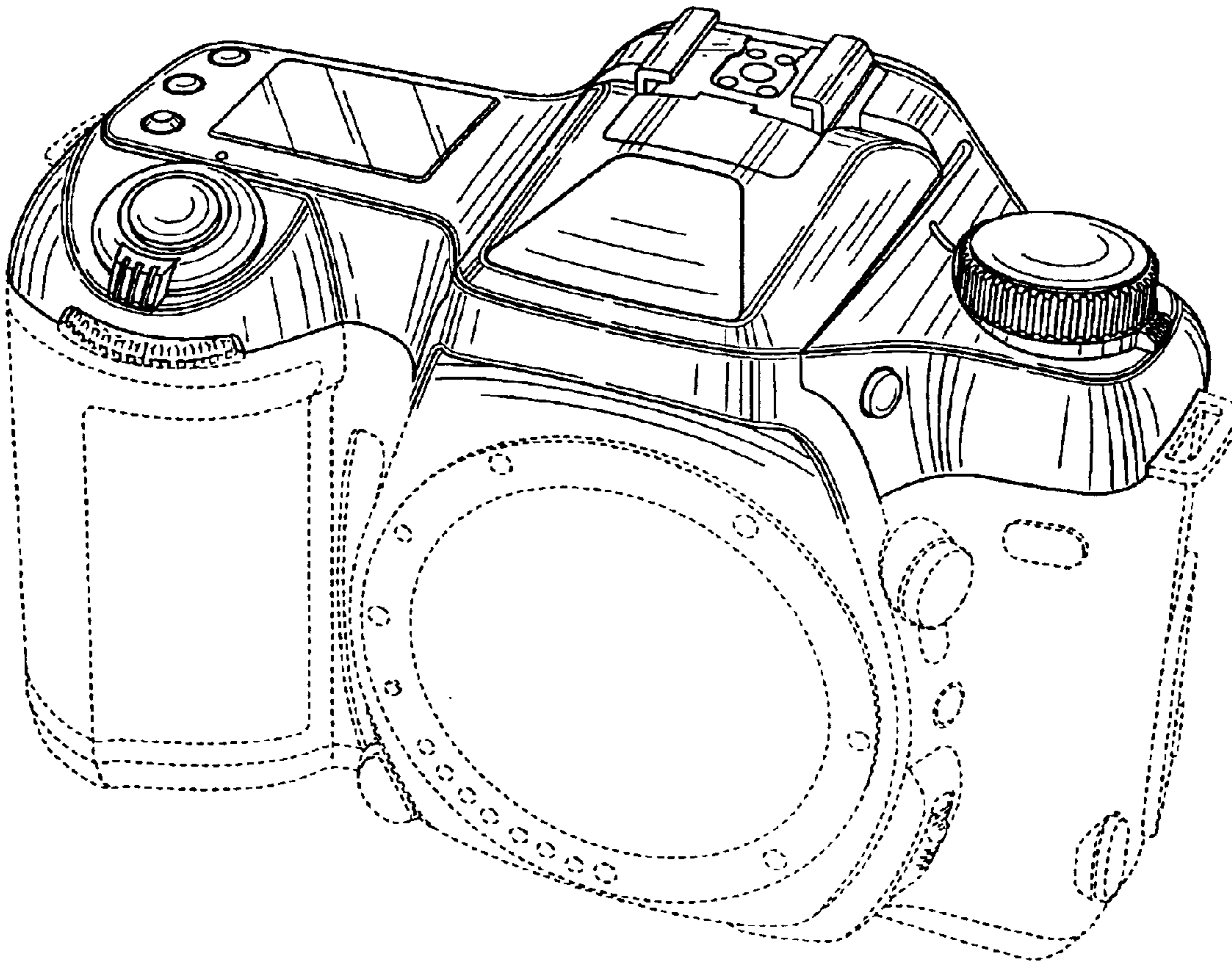
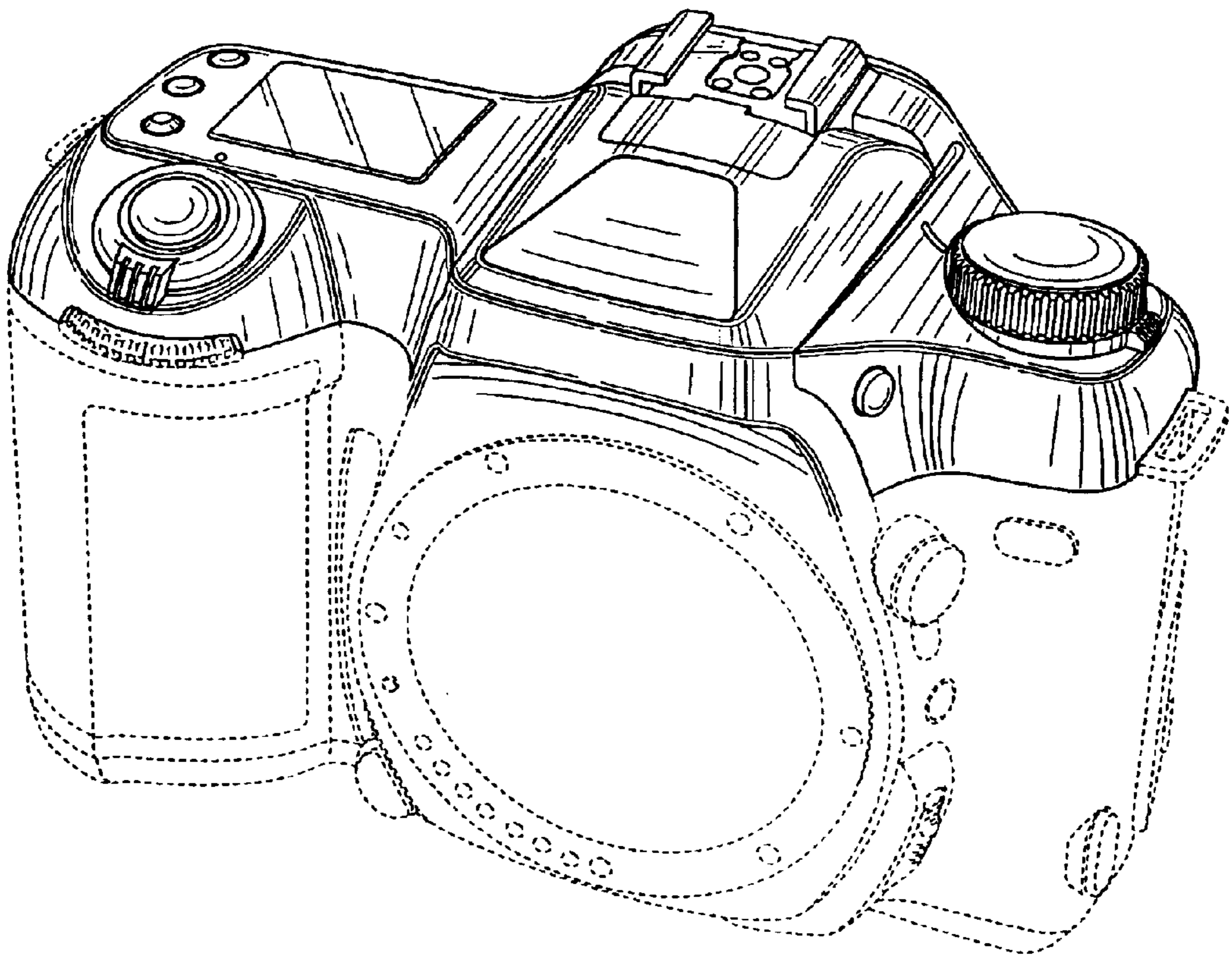
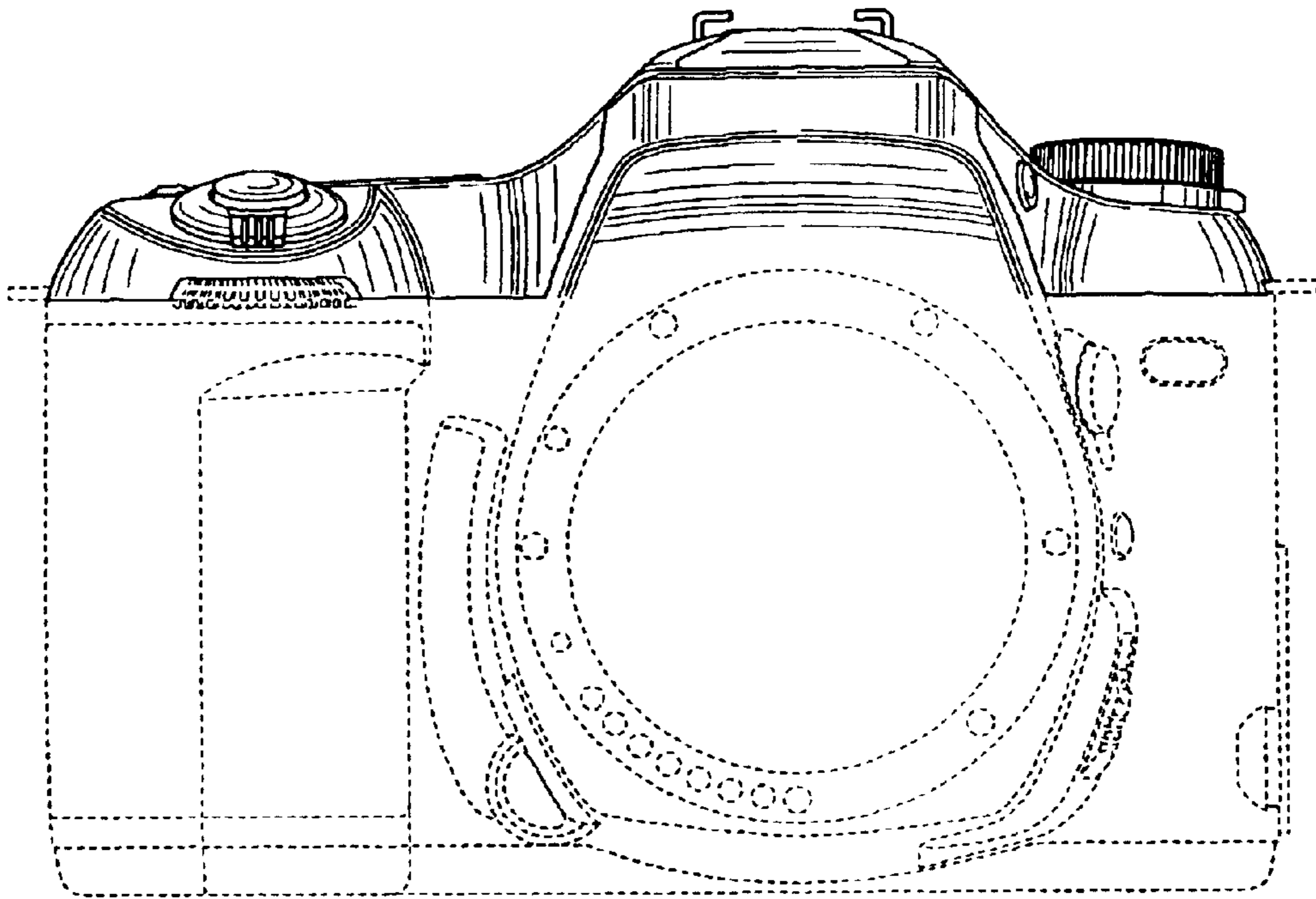


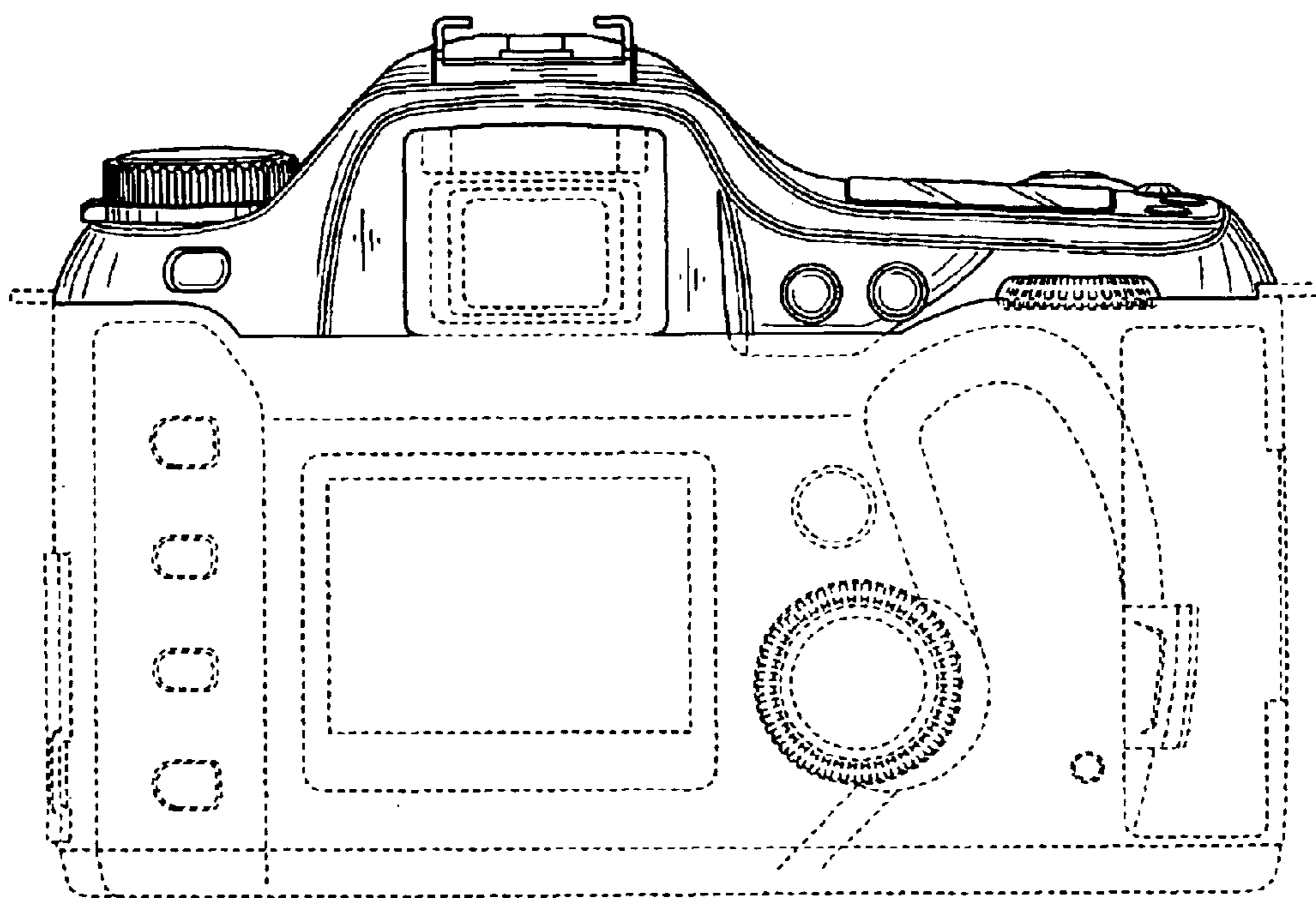
FIG. 1



*FIG. 2*

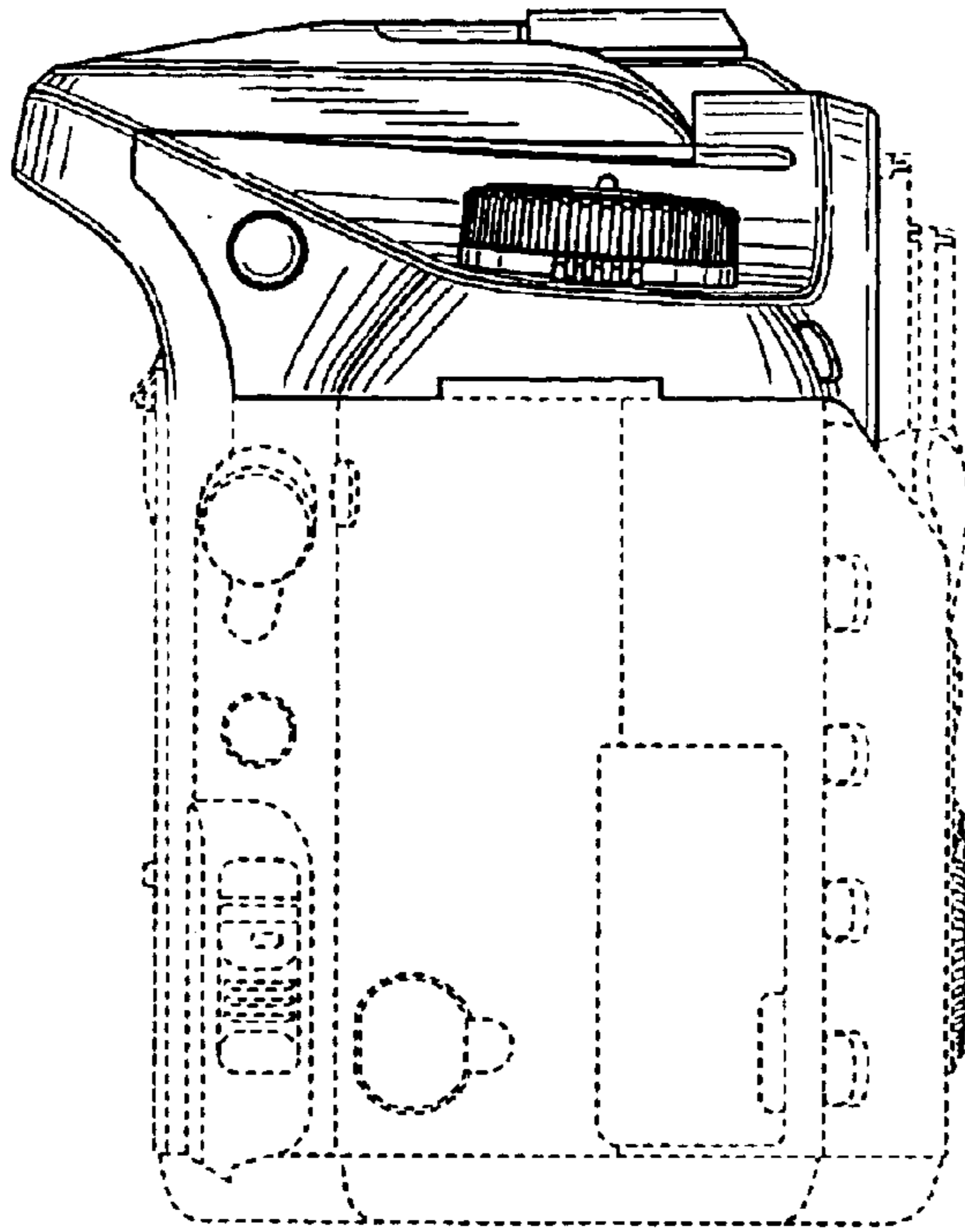


*FIG. 3*

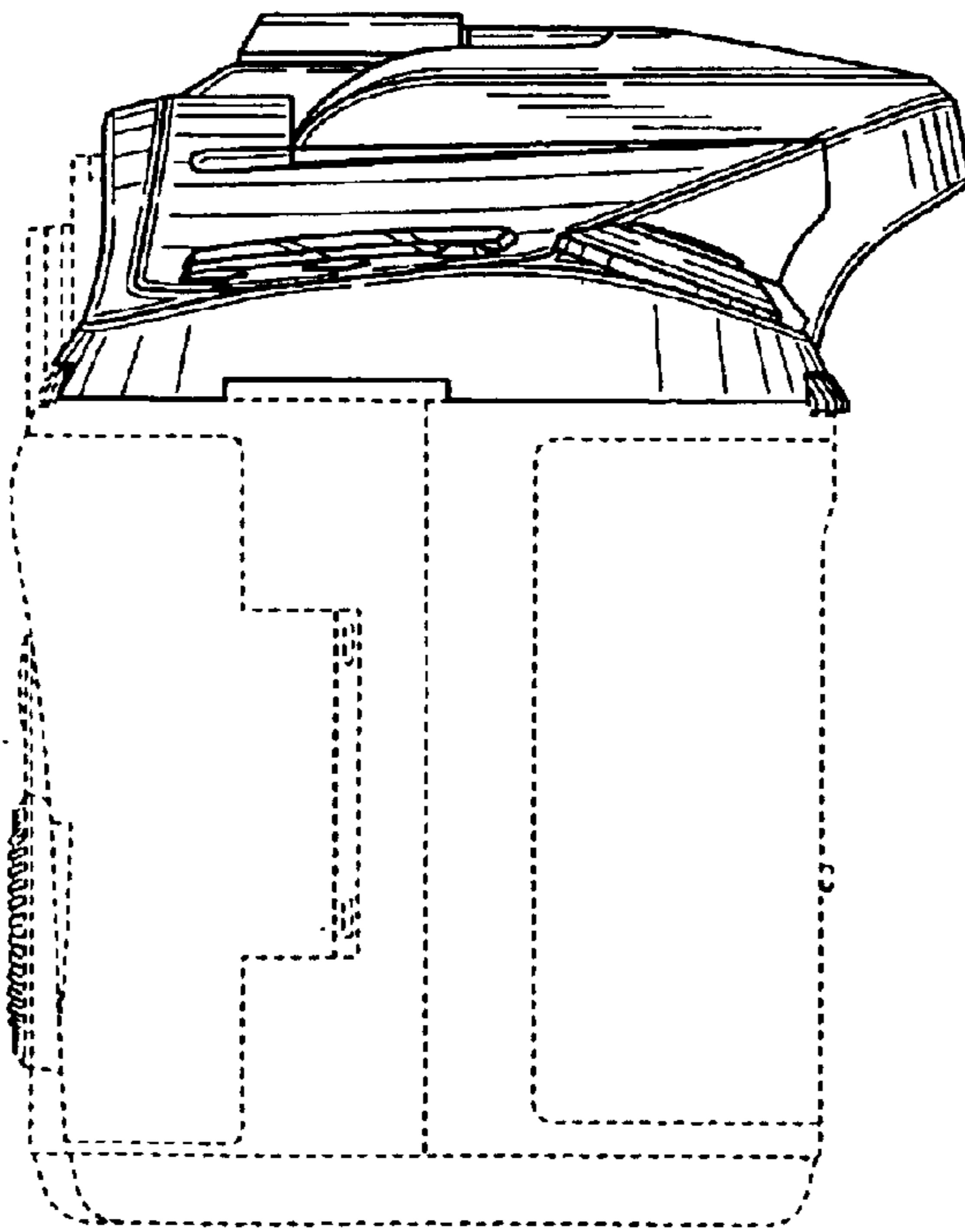




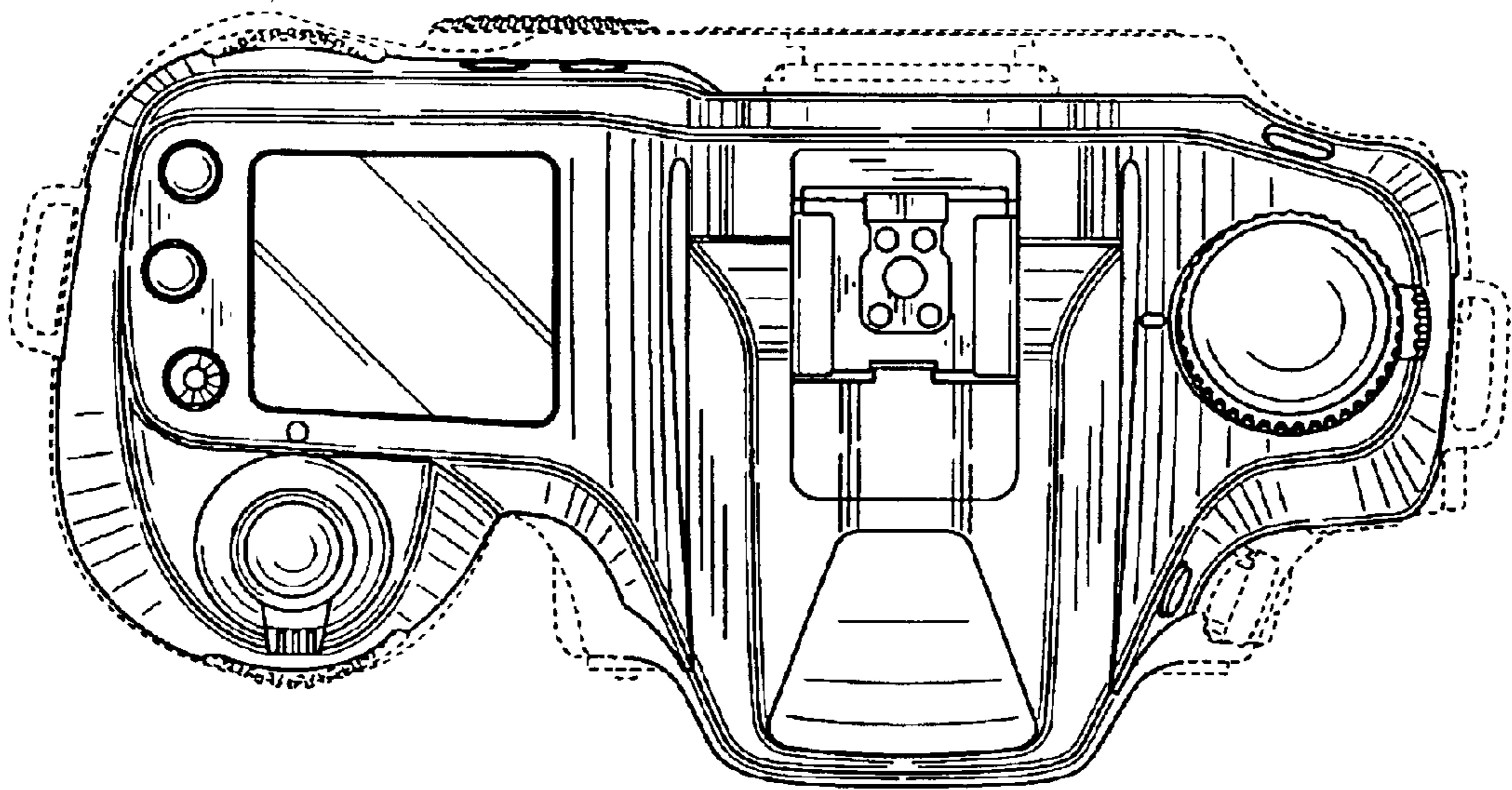
*FIG. 4*



*FIG. 5*



*FIG. 6*



*FIG. 7*

