



US00D491593S

(12) **United States Design Patent**
Haga

(10) **Patent No.:** **US D491,593 S**

(45) **Date of Patent:** **** Jun. 15, 2004**

(54) **DIGITAL CAMERA**

(75) **Inventor:** **Masaaki Haga, Tokyo (JP)**

(73) **Assignee:** **PENTAX Corporation, Tokyo (JP)**

(**) **Term:** **14 Years**

(21) **Appl. No.:** **29/188,805**

(22) **Filed:** **Aug. 25, 2003**

(30) **Foreign Application Priority Data**

Feb. 26, 2003 (JP) 2003-004639

(51) **LOC (7) Cl.** **16-01**

(52) **U.S. Cl.** **D16/202; D16/217**

(58) **Field of Search** **D16/200–206,**
D16/208, 216, 217, 218, 219; 348/373–376;
358/909.1; 396/535–541, 354–359

(56) **References Cited**

U.S. PATENT DOCUMENTS

- 4,406,533 A * 9/1983 Yamamoto 396/206
- 4,692,010 A * 9/1987 Kataoka et al. 396/354
- D304,729 S * 11/1989 Sugiyama et al. D16/217

- D317,929 S * 7/1991 Tanaka et al. D16/217
- D379,823 S * 6/1997 Haga D16/217
- D433,434 S * 11/2000 Hamamura D16/217
- D439,922 S * 4/2001 Kumakura D16/217
- D451,940 S * 12/2001 Haga D16/217
- D482,713 S * 11/2003 Hayashi D16/217

* cited by examiner

Primary Examiner—Adir Aronovich

(74) *Attorney, Agent, or Firm*—Sughrue Mion, PLLC

(57) **CLAIM**

The ornamental design for a digital camera, as shown.

DESCRIPTION

FIG. 1 is a perspective view of the top, front and right side of a digital camera showing my new design;
 FIG. 2 is a front elevational view thereof;
 FIG. 3 is a rear elevational view thereof;
 FIG. 4 is a right side elevational view thereof;
 FIG. 5 is a left side elevational view thereof;
 FIG. 6 is a top plan view thereof; and,
 FIG. 7 is a bottom plan view thereof.

1 Claim, 4 Drawing Sheets

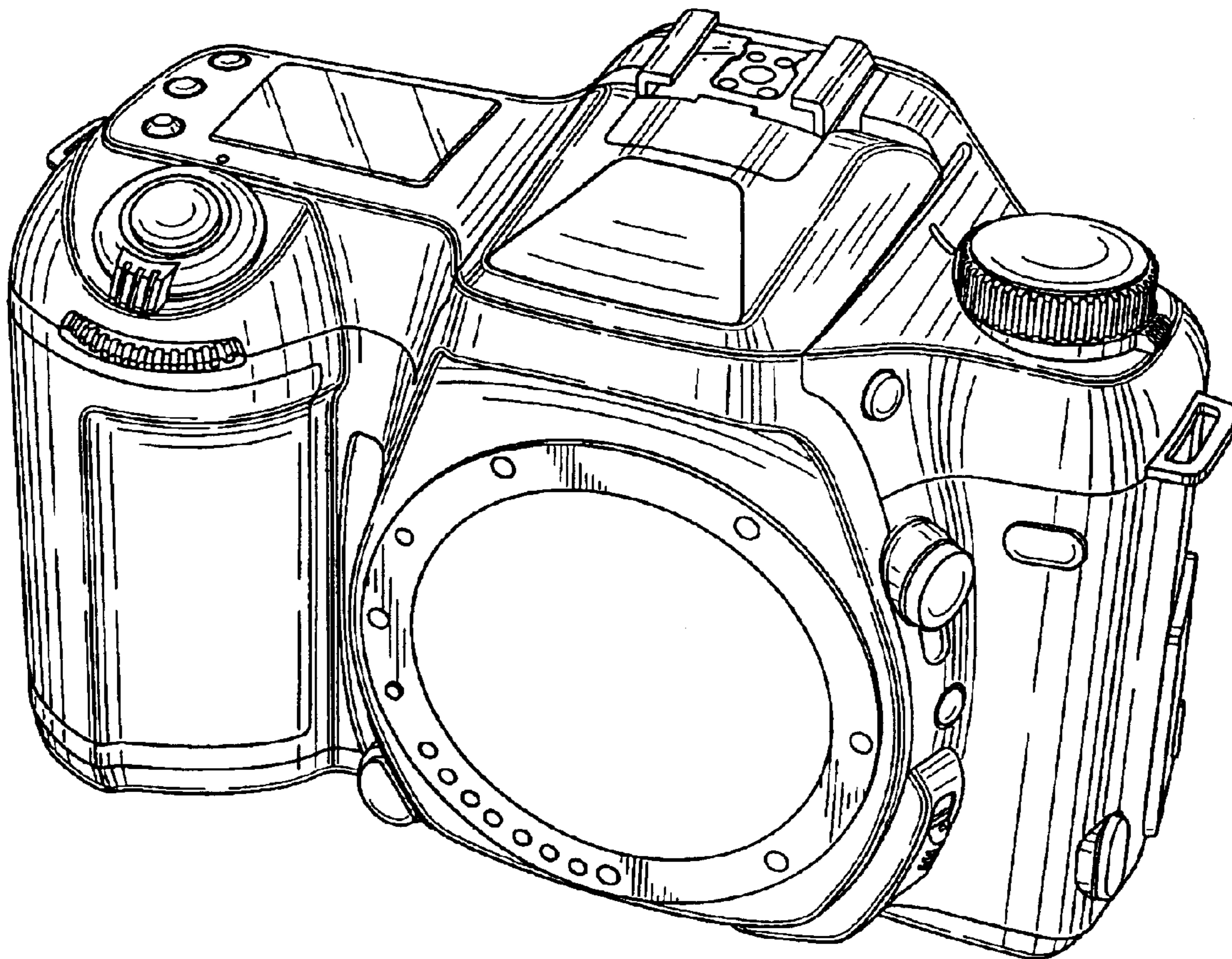


FIG. 1

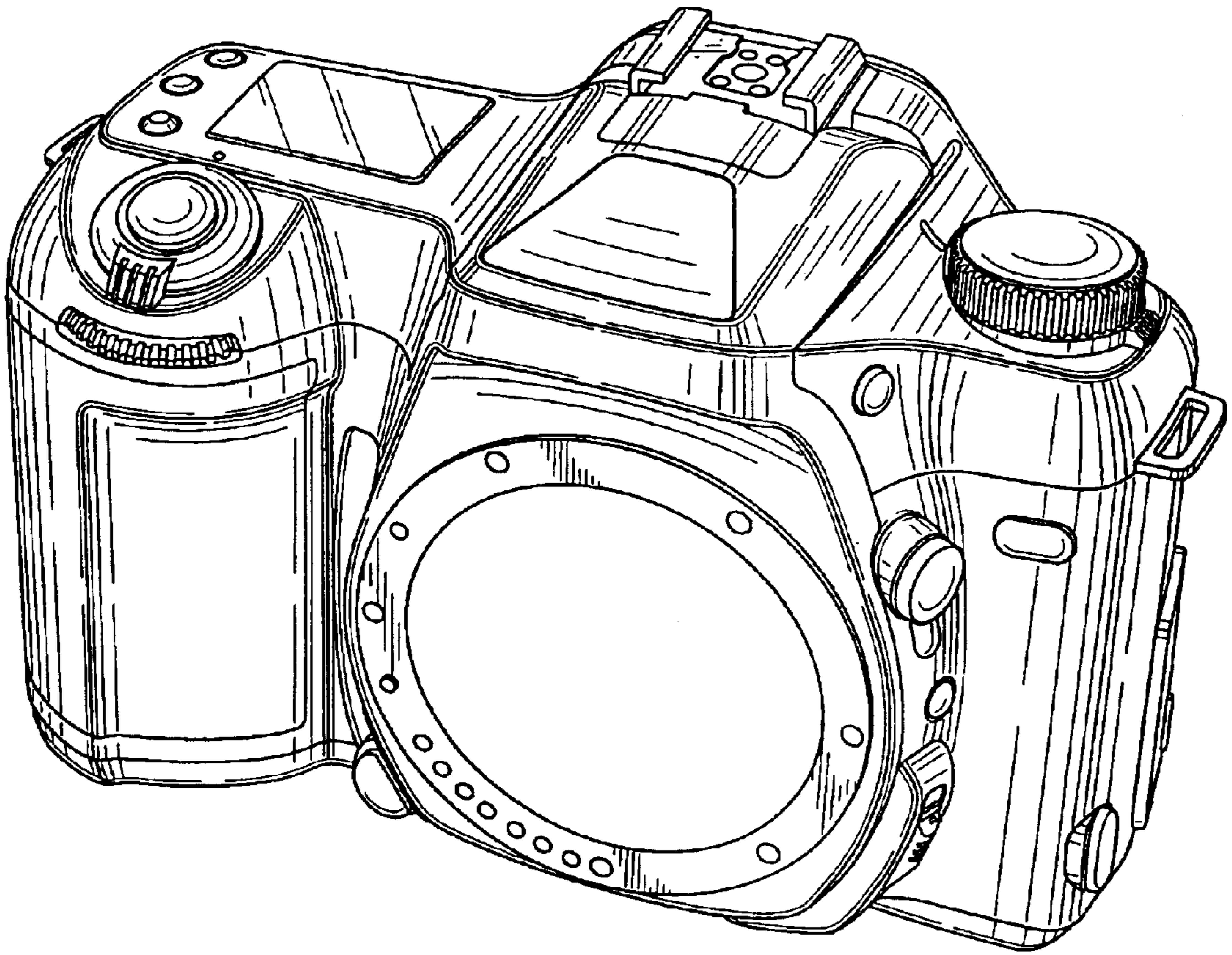


FIG. 2

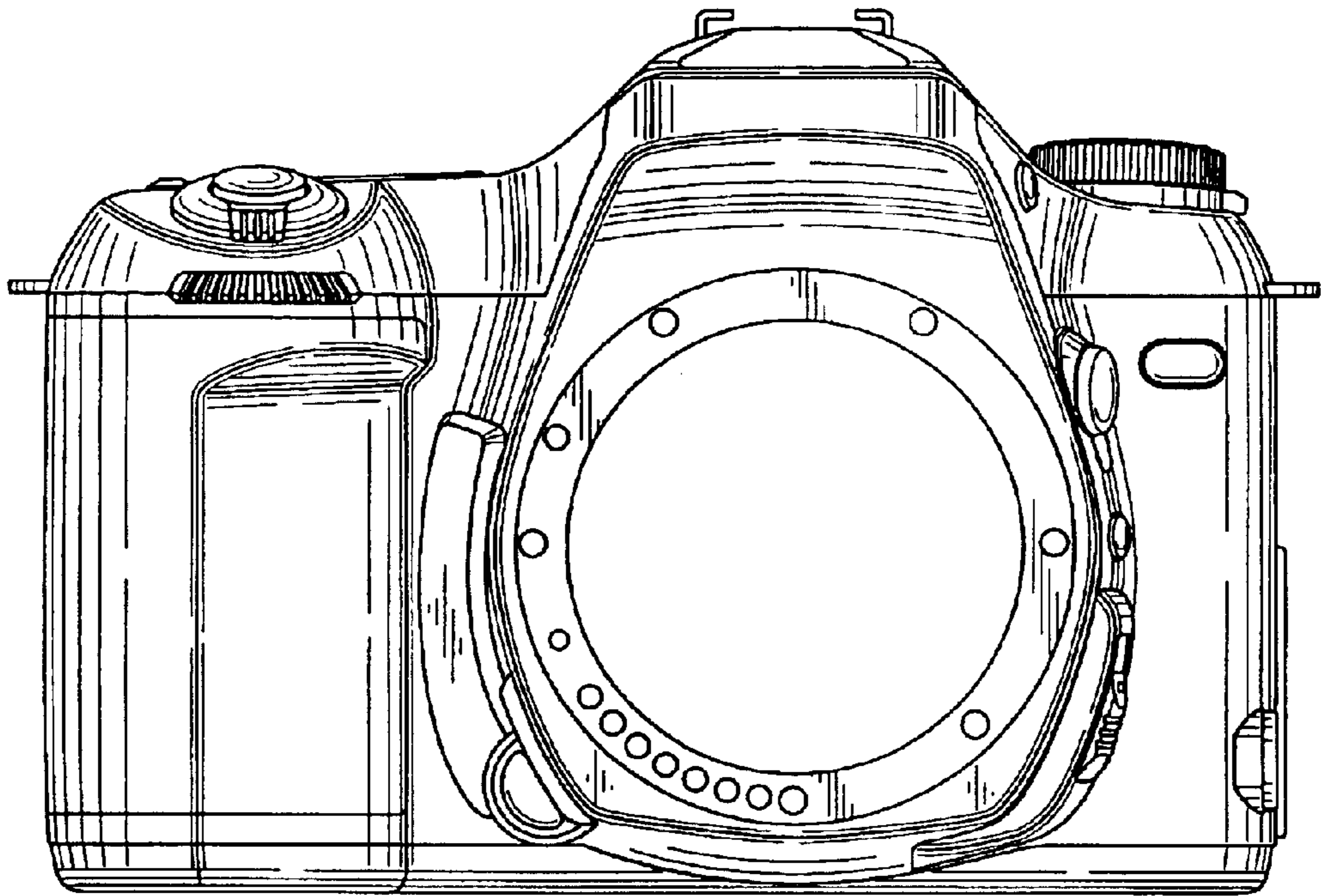


FIG. 3

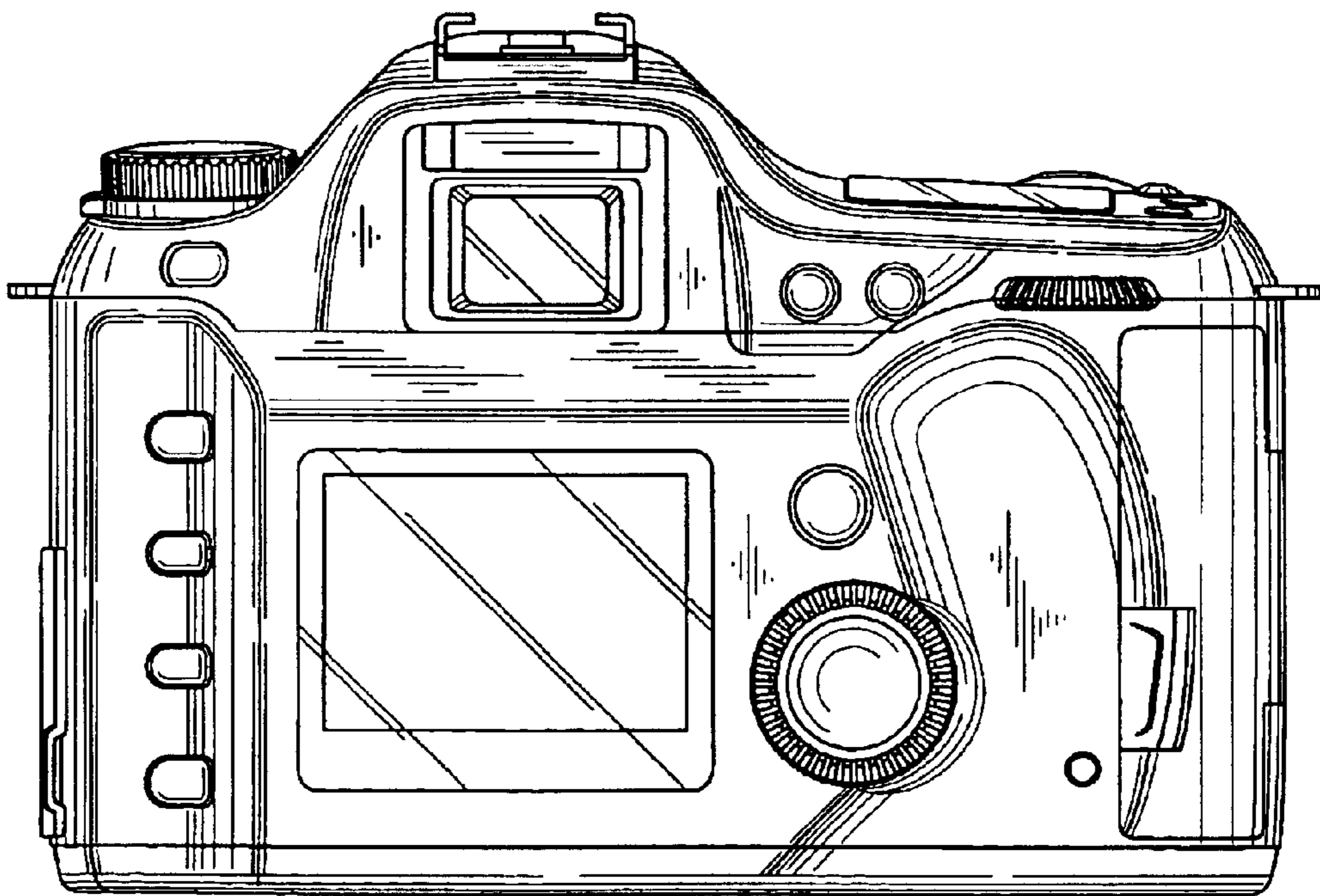


FIG. 4

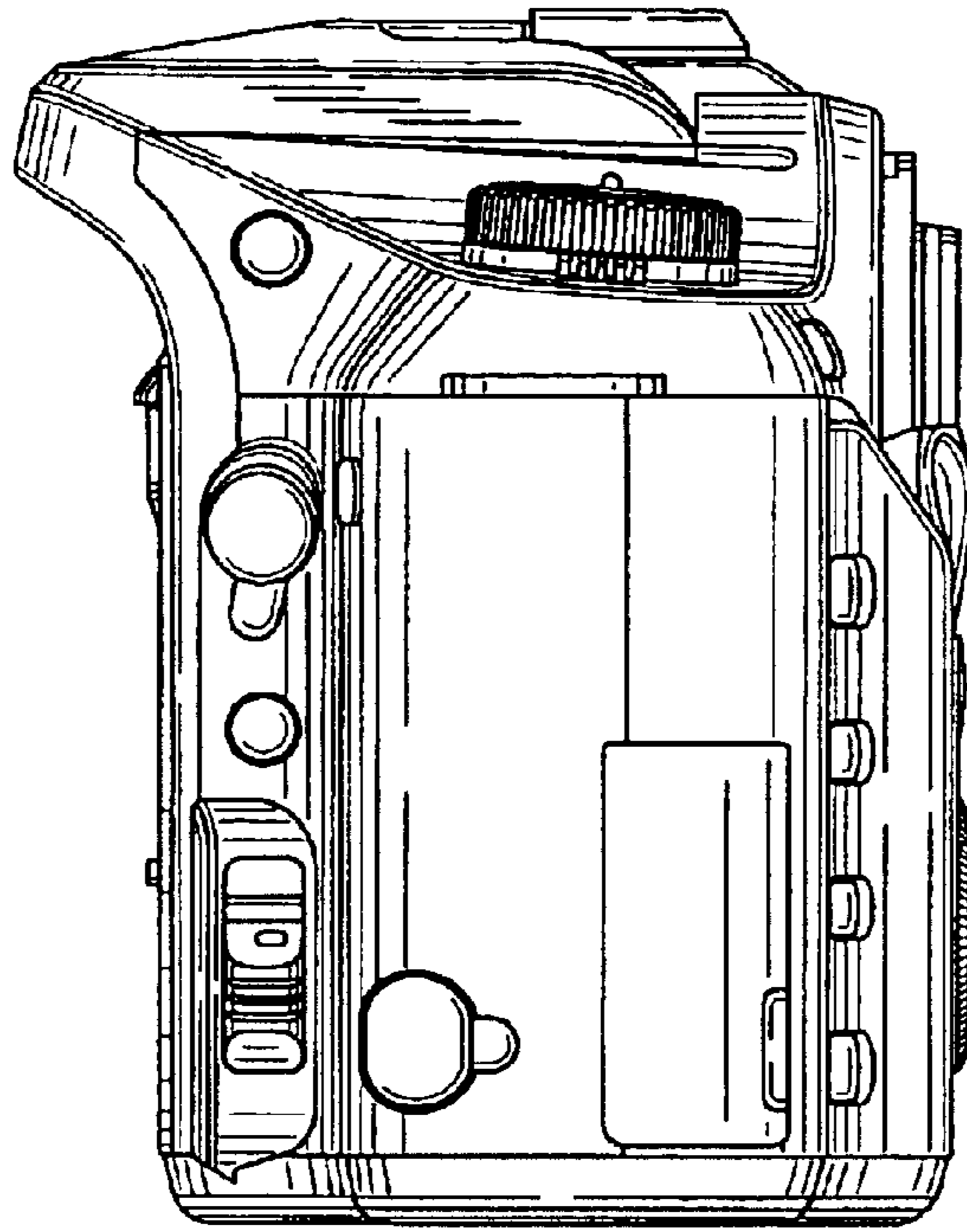


FIG. 5

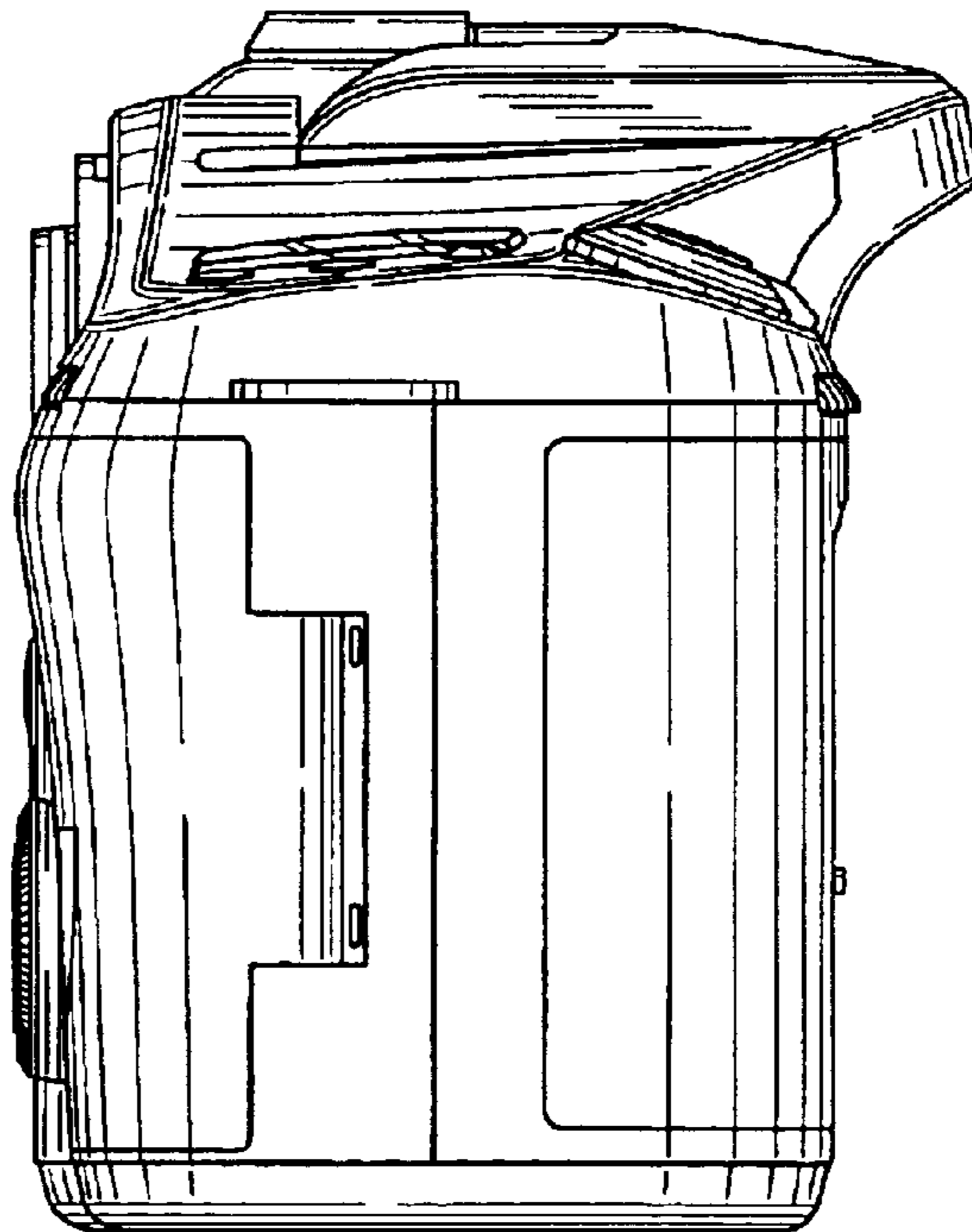


FIG. 6

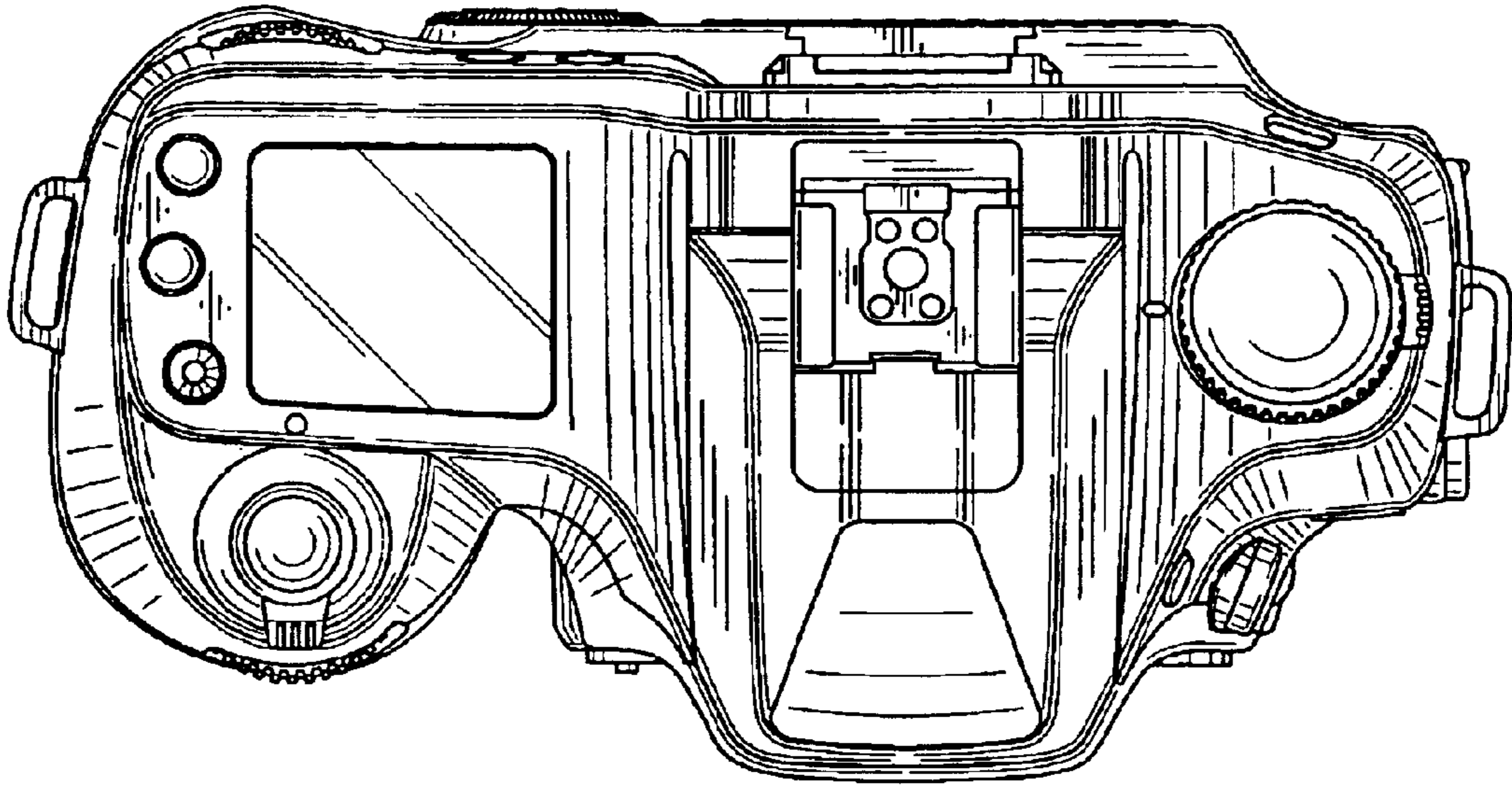


FIG. 7

