



US00D491591S

(12) **United States Design Patent**
Naito

(10) **Patent No.:** **US D491,591 S**
(45) **Date of Patent:** **** Jun. 15, 2004**

(54) **DIGITAL CAMERA**

(75) Inventor: **Yoshitaka Naito, Oume (JP)**

(73) Assignee: **Olympus Corporation, Tokyo (JP)**

(**) Term: **14 Years**

(21) Appl. No.: **29/151,062**

(22) Filed: **Oct. 24, 2001**

(51) **LOC (7) Cl.** **16-01**

(52) **U.S. Cl.** **D16/202; D16/212**

(58) **Field of Search** **D16/200-204,**
D16/208, 209, 212, 213, 218; 348/373-376;
358/906, 909.1; 396/6, 7, 535-541, 349,
448

(56) **References Cited**

U.S. PATENT DOCUMENTS

5,508,769	A	*	4/1996	Inoue et al.	396/349
D384,684	S	*	10/1997	Hamamura	D16/209
D412,518	S	*	8/1999	Naito	D16/212
D437,606	S	*	2/2001	Suto et al.	D16/218
D437,868	S	*	2/2001	Naito	D16/212
D449,059	S	*	10/2001	Shimobayashi	D16/202
6,347,893	B1	*	2/2002	Shiono et al.	396/448
D464,665	S	*	10/2002	Yoshida	D16/212

* cited by examiner

Primary Examiner—Adir Aronovich

(74) *Attorney, Agent, or Firm*—Hogan & Hartson LLP

(57) **CLAIM**

The ornamental design for a digital camera, as shown and described.

DESCRIPTION

FIG. 1 is a front, top and right side perspective view of a digital camera showing my new design;

FIG. 2 is a rear, bottom and left side perspective view thereof;

FIG. 3 is a front elevational view thereof;

FIG. 4 is a rear elevation view thereof;

FIG. 5 is a top plan view thereof;

FIG. 6 is a bottom plan view thereof;

FIG. 7 is a right side elevational view thereof;

FIG. 8 is a left side elevational view thereof;

FIG. 9 is a front, top and right side perspective view thereof, with a barrier in an opened state and a lens barrel extended; and,

FIG. 10 is a front elevational view thereof, with the barrier in an opened state and the lens barrel extended.

The portions of the articles shown in broken lines in the above figures are shown for illustrative purpose only and form no part of the claimed design.

1 Claim, 7 Drawing Sheets

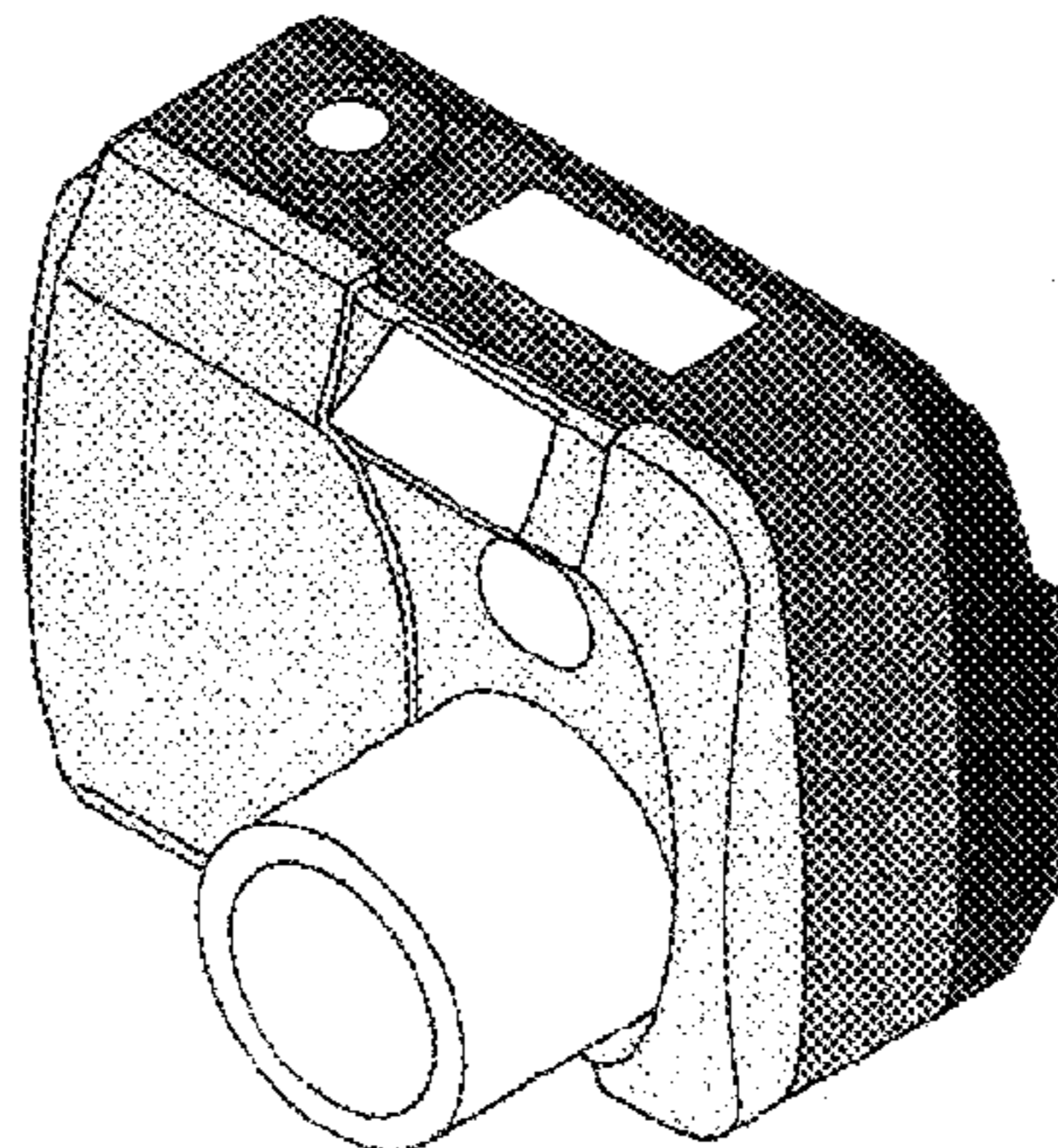
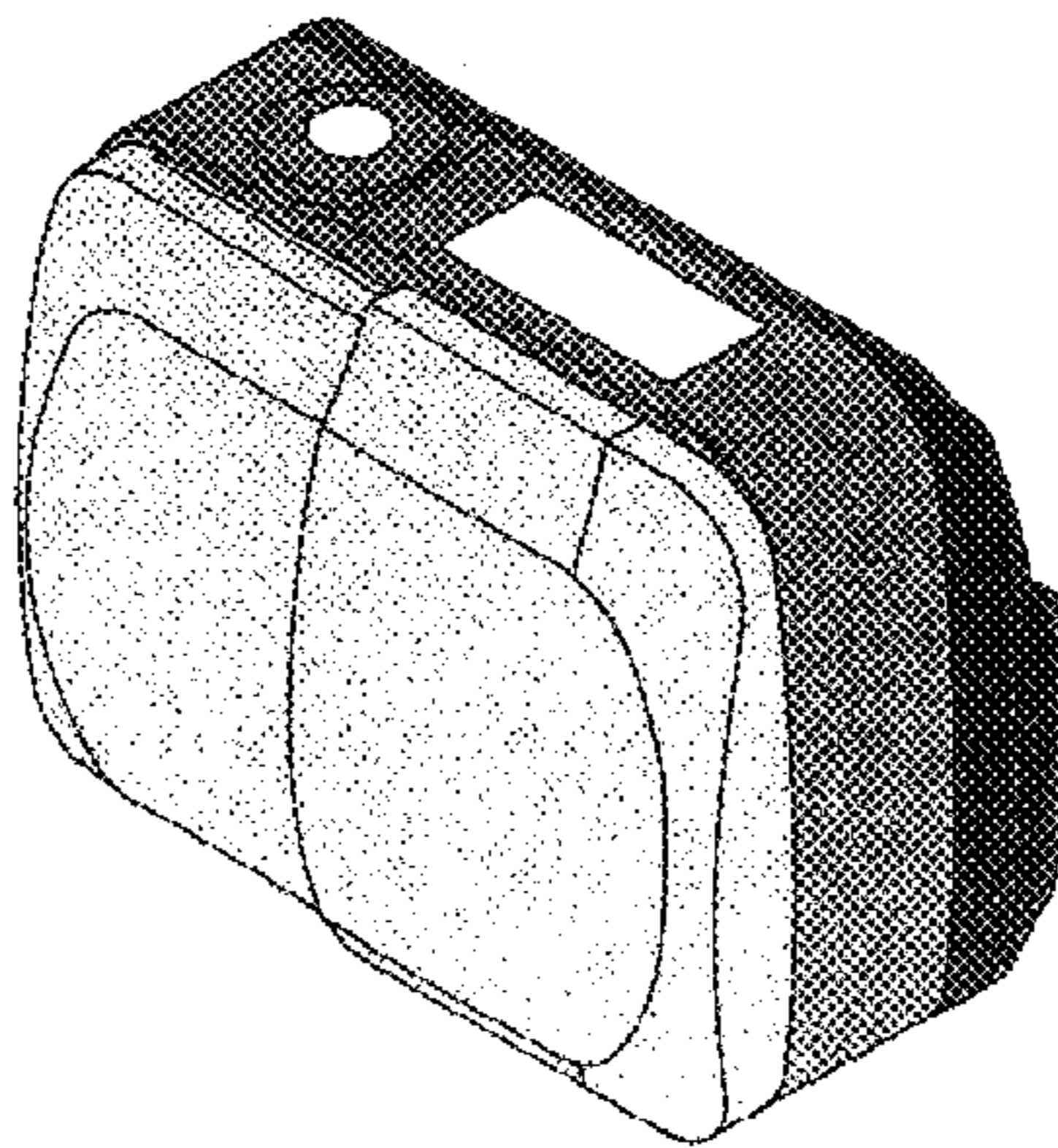


FIG. 1

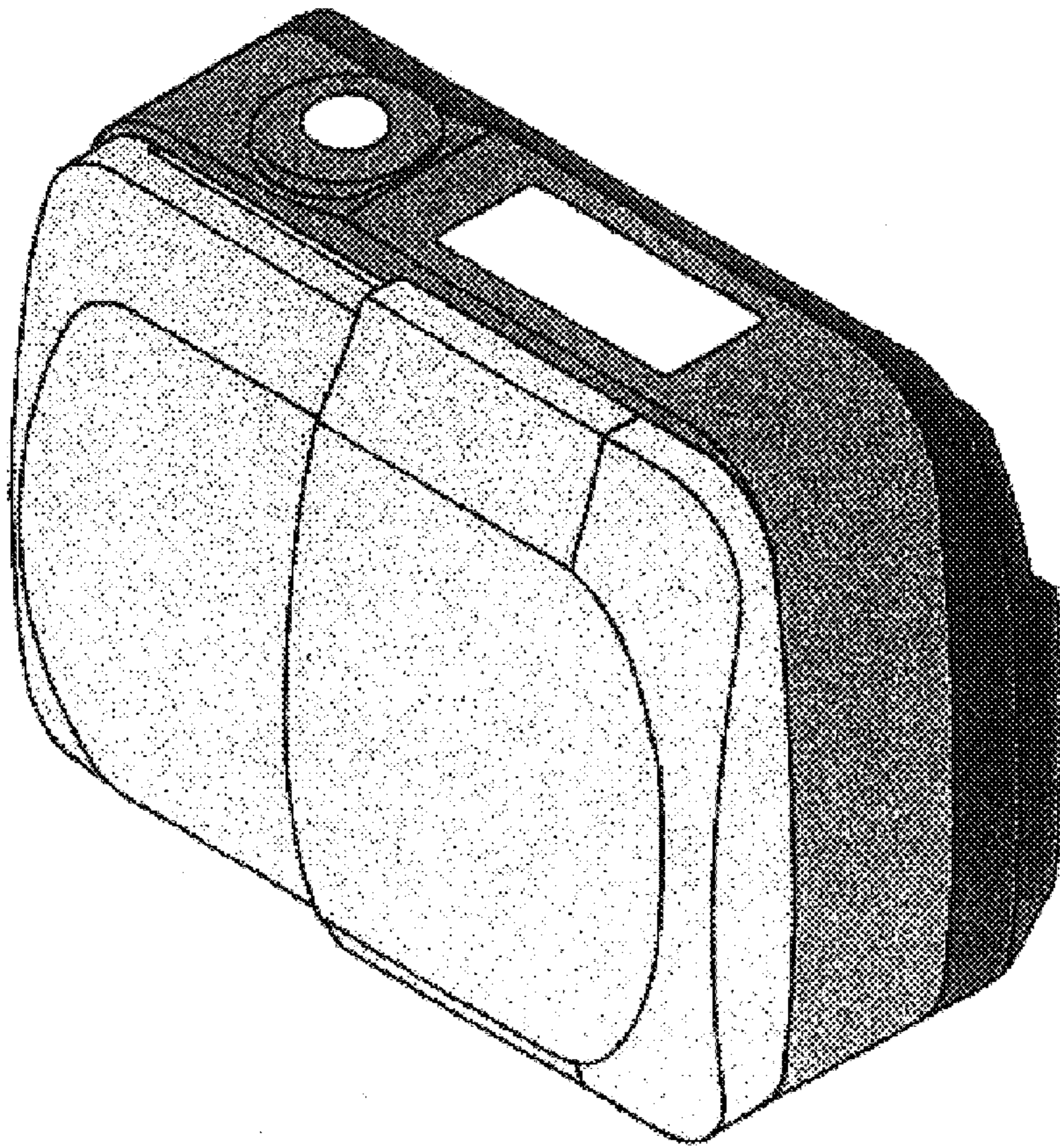


FIG. 2

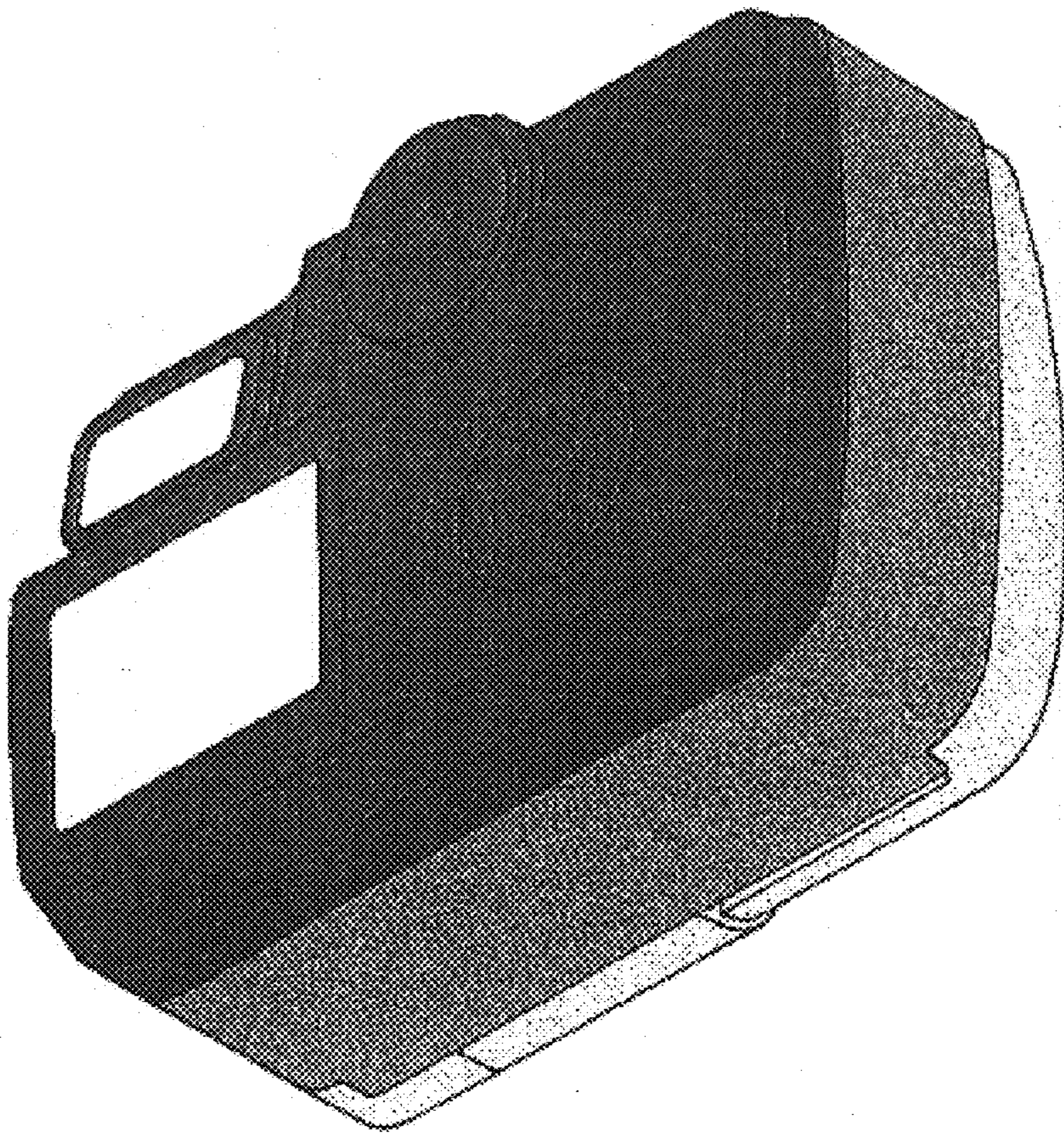


FIG. 3

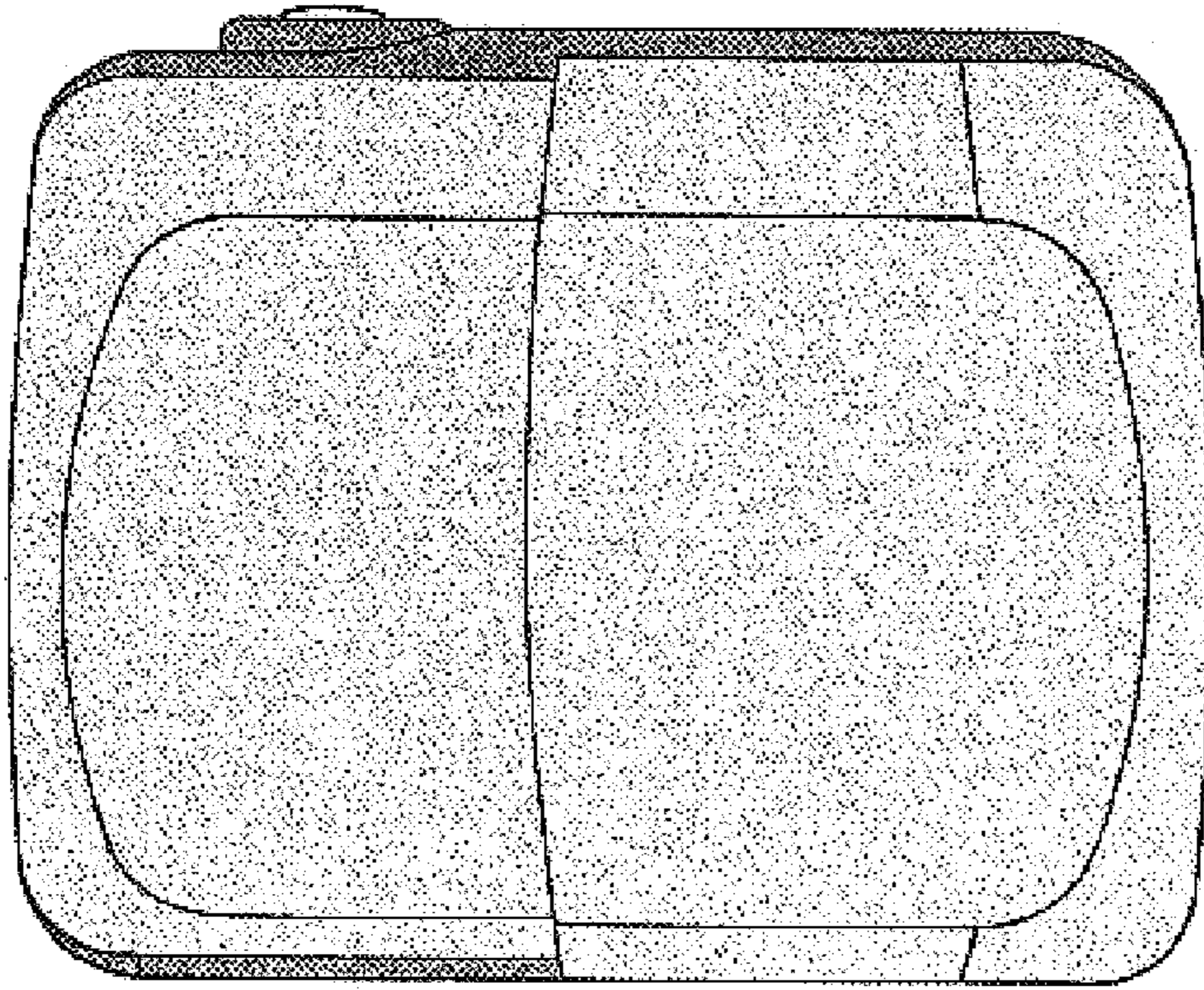


FIG. 4

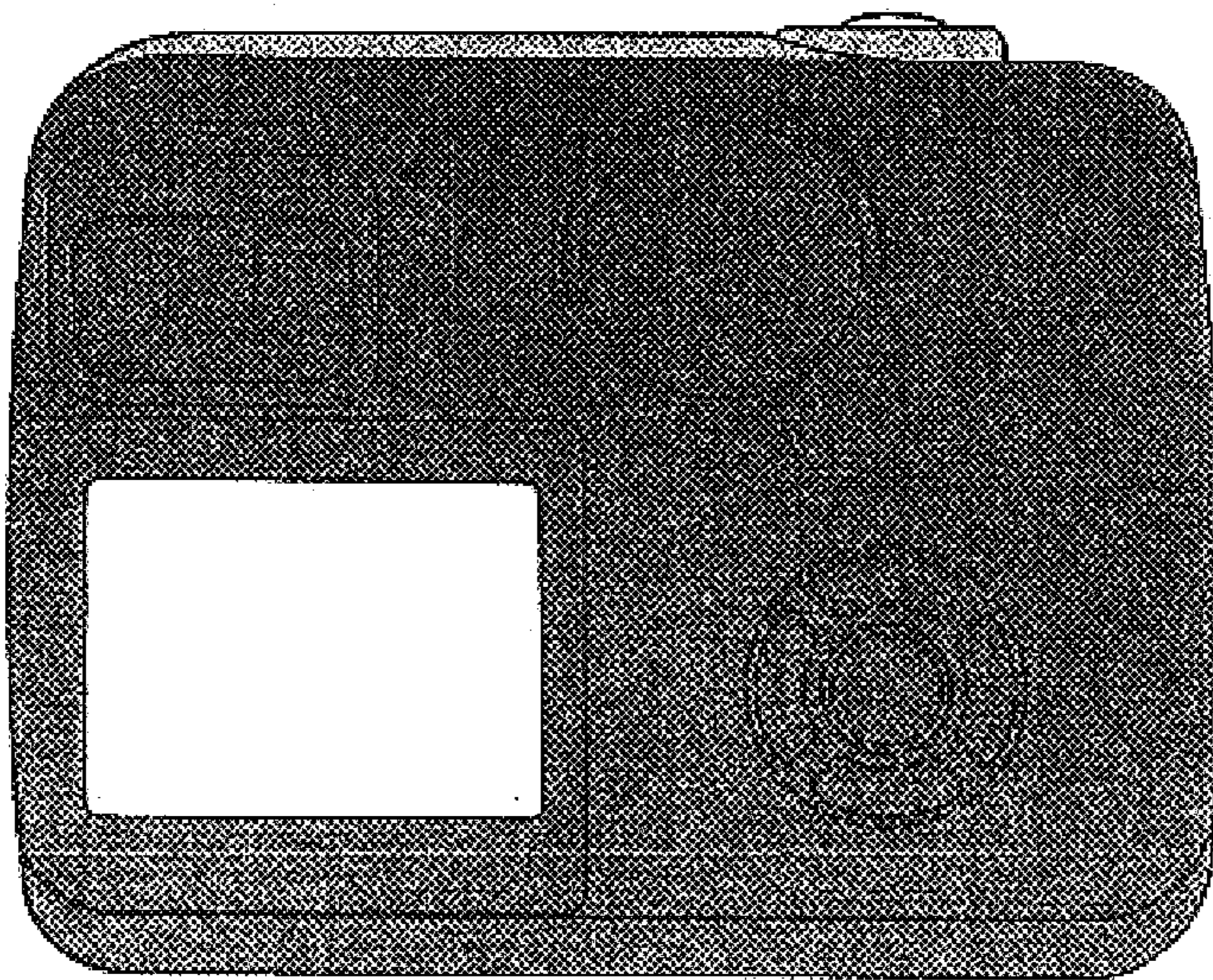


FIG. 5

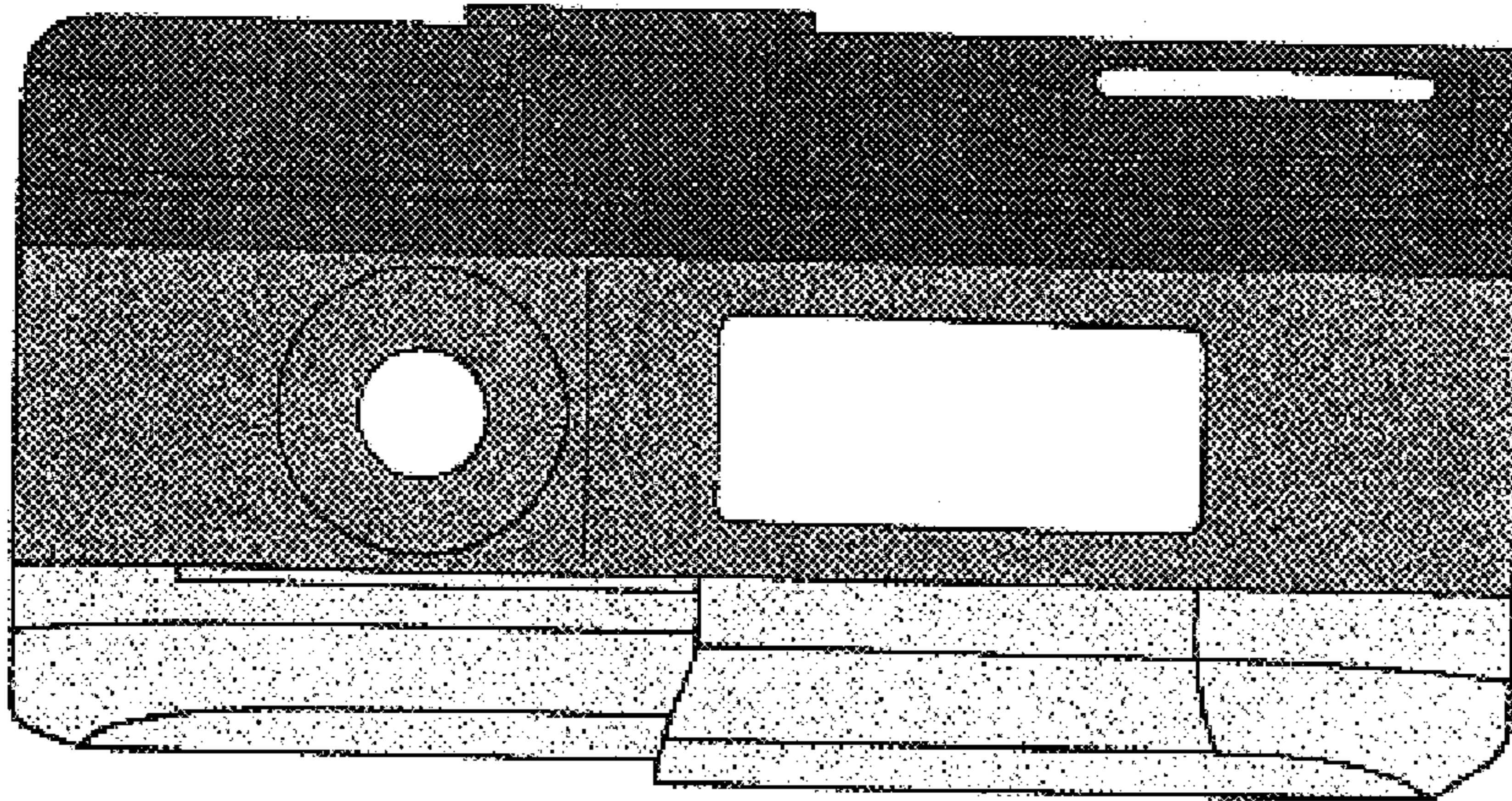


FIG. 6

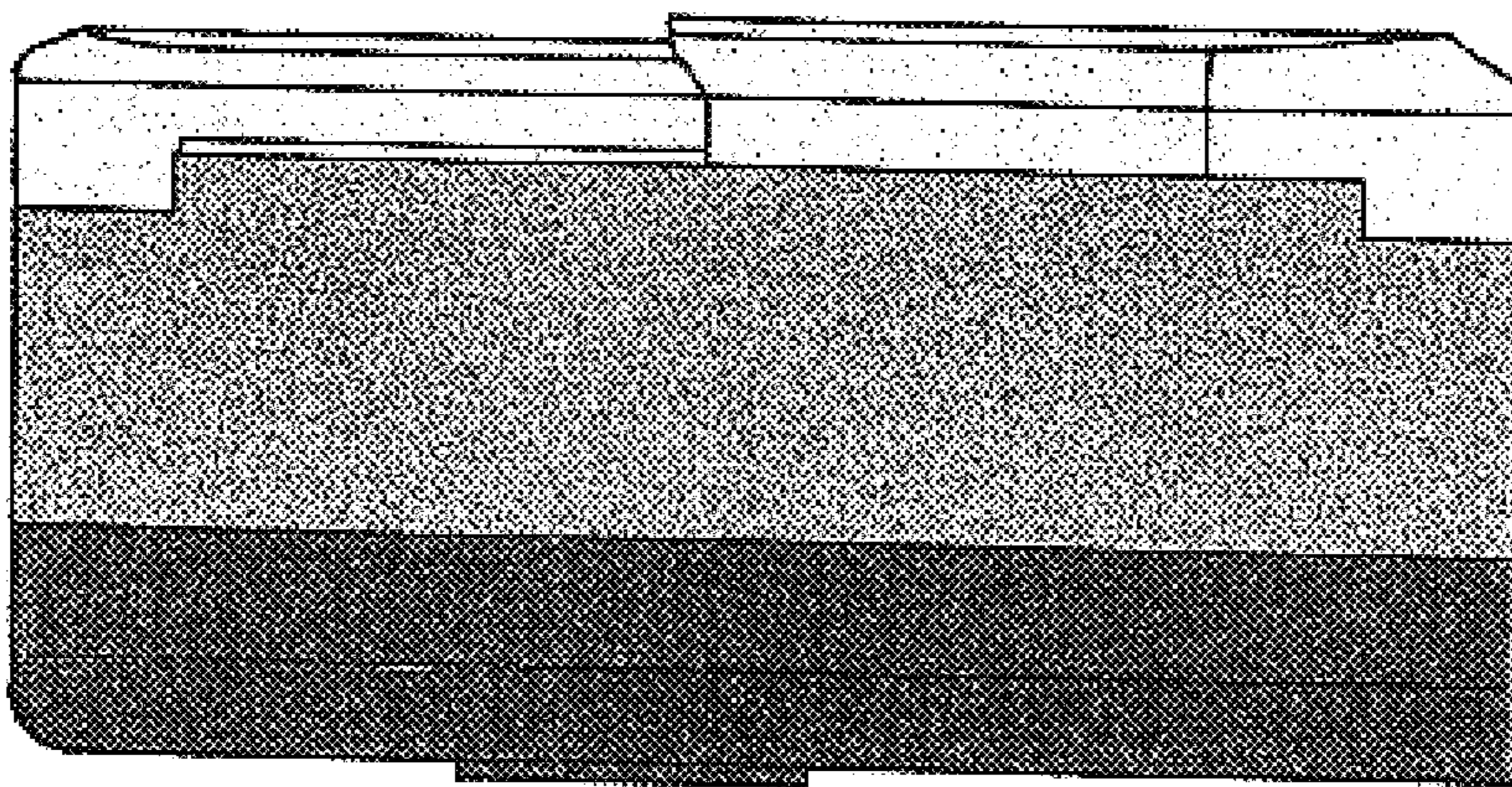


FIG. 7

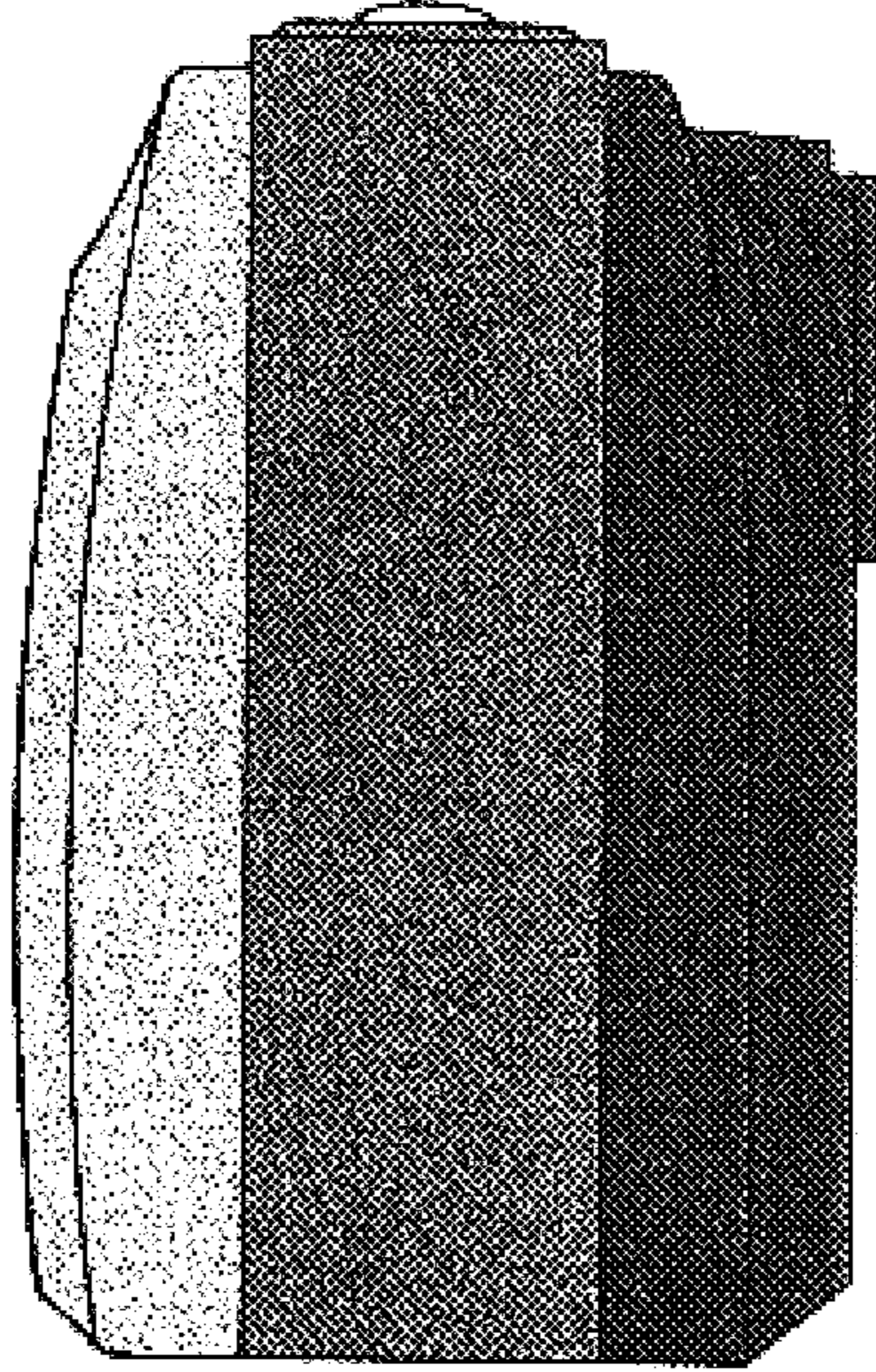


FIG. 8

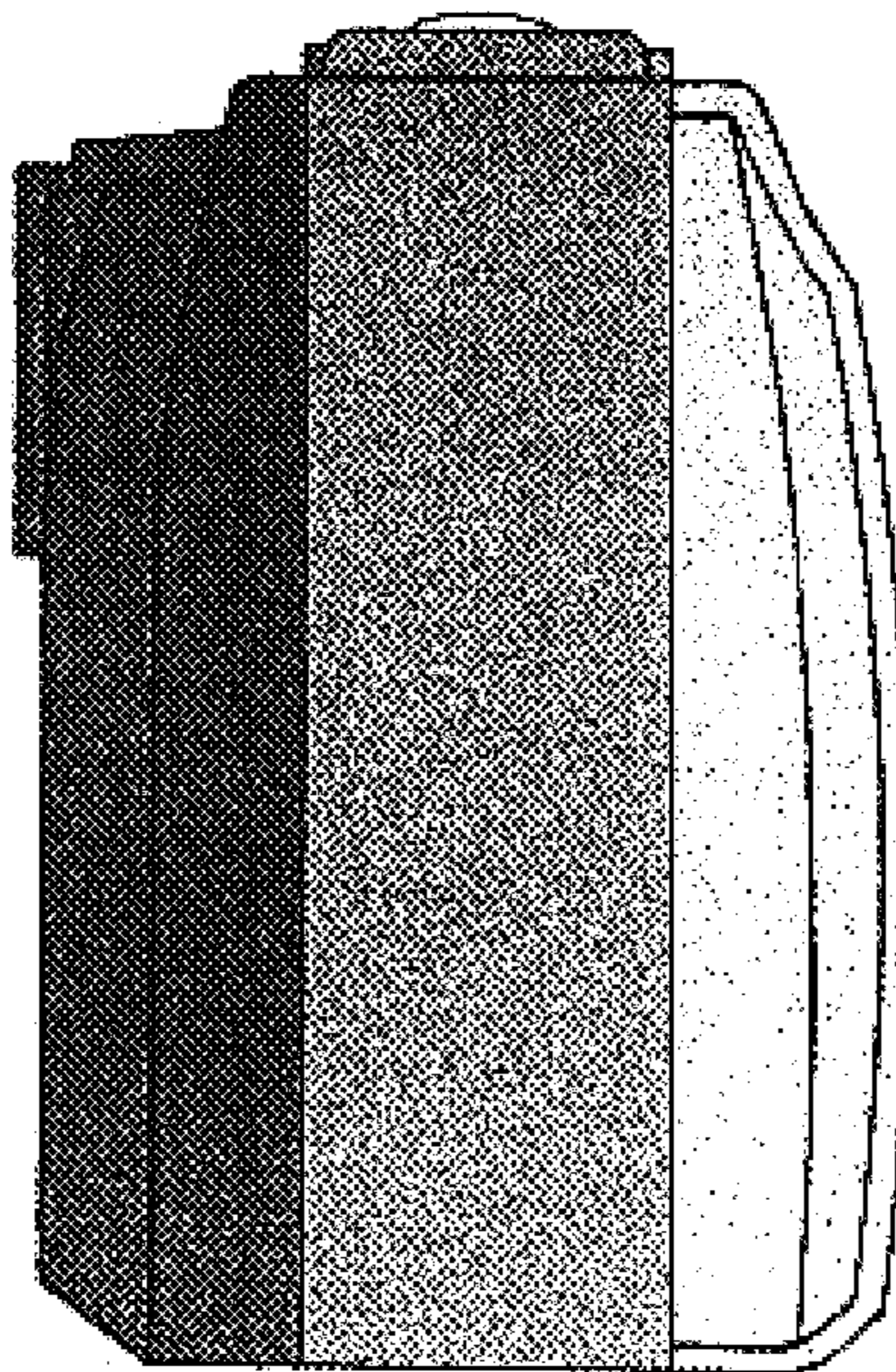


FIG. 9

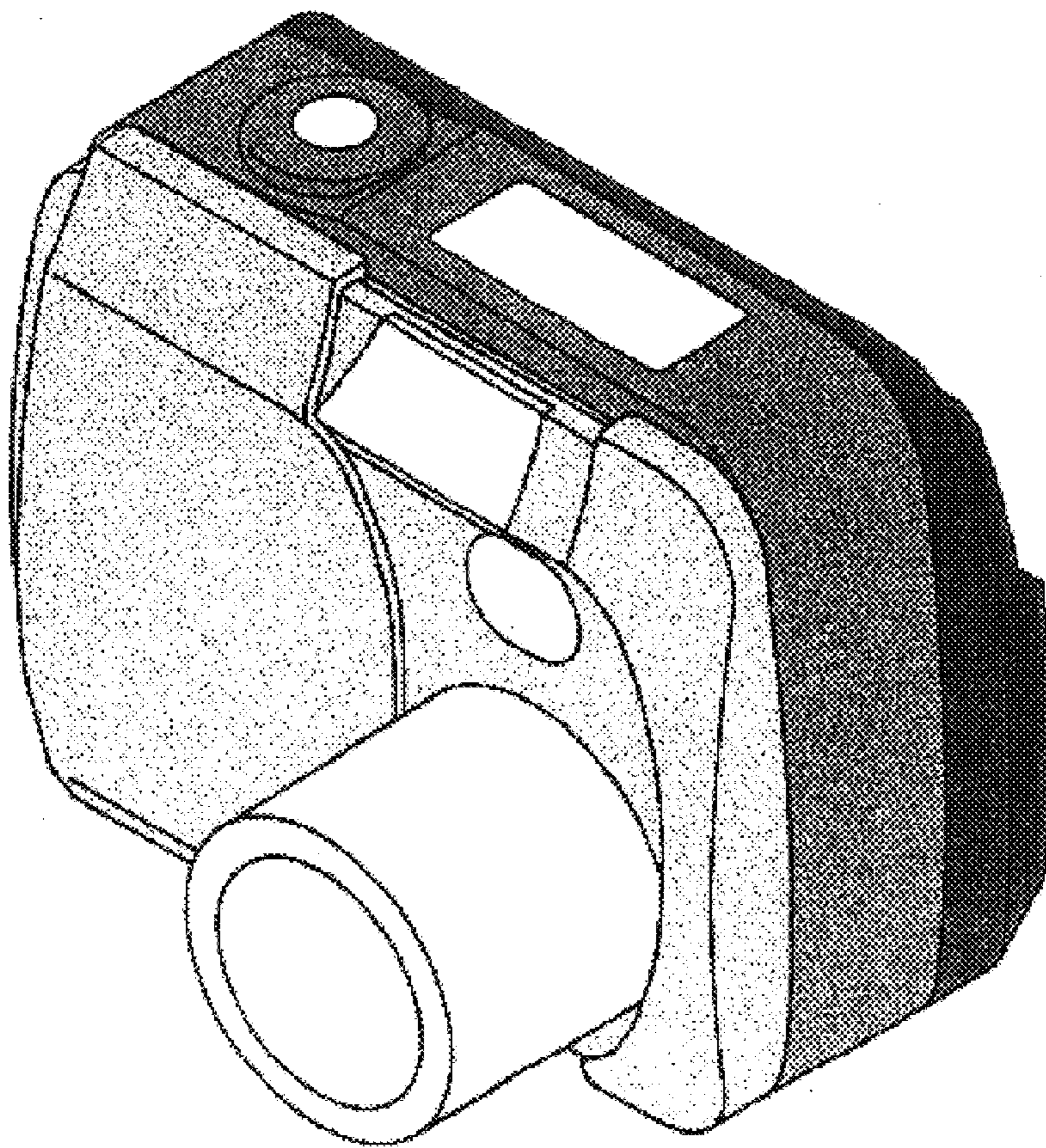


FIG. 10

