



US00D491590S

(12) **United States Design Patent**
Singer et al.

(10) **Patent No.:** **US D491,590 S**

(45) **Date of Patent:** **** Jun. 15, 2004**

(54) **SURFACE VIEWER**

(76) Inventors: **Dave Singer**, 4105 Oxlea Dr., Plano, TX (US) 75024; **Pat Clark**, 3608 Canyon View Ct., McKinney, TX (US) 75070; **Kevin Hodge**, 1845 Lynn La., Lucas, TX (US) 75002

(**) Term: **14 Years**

(21) Appl. No.: **29/187,627**

(22) Filed: **Aug. 4, 2003**

(51) **LOC (7) Cl.** **16-06**

(52) **U.S. Cl.** **D16/135**

(58) **Field of Search** D16/130, 135;
D14/247, 347, 456; D18/7; 359/798, 802,
803, 805, 808, 809, 810, 818, 827; D24/137;
D26/37; 362/109

(56) **References Cited**

U.S. PATENT DOCUMENTS

D201,908 S	*	8/1965	Meyer	D26/37
D312,622 S	*	12/1990	Alden et al.	D14/347
D324,060 S	*	2/1992	Huang	D16/135
5,132,849 A	*	7/1992	Cordes	359/798
D333,313 S	*	2/1993	Hornschu et al.	D16/135
D389,157 S	*	1/1998	Williams et al.	D14/247

* cited by examiner

Primary Examiner—Paula A. Greene

(74) *Attorney, Agent, or Firm*—Schultz & Associates, P.C.

(57) **CLAIM**

The ornamental design for a surface viewer, as shown and described.

DESCRIPTION

FIG. 1 is a right side perspective view of the surface viewer in accordance with the present invention;

FIG. 2 is a bottom perspective view of the surface viewer in accordance with the present invention;

FIG. 3 is a side view of the surface viewer in accordance with the present invention;

FIG. 4 is a back view of the surface viewer in accordance with the present invention;

FIG. 5 is a front view of the surface viewer in accordance with the present invention;

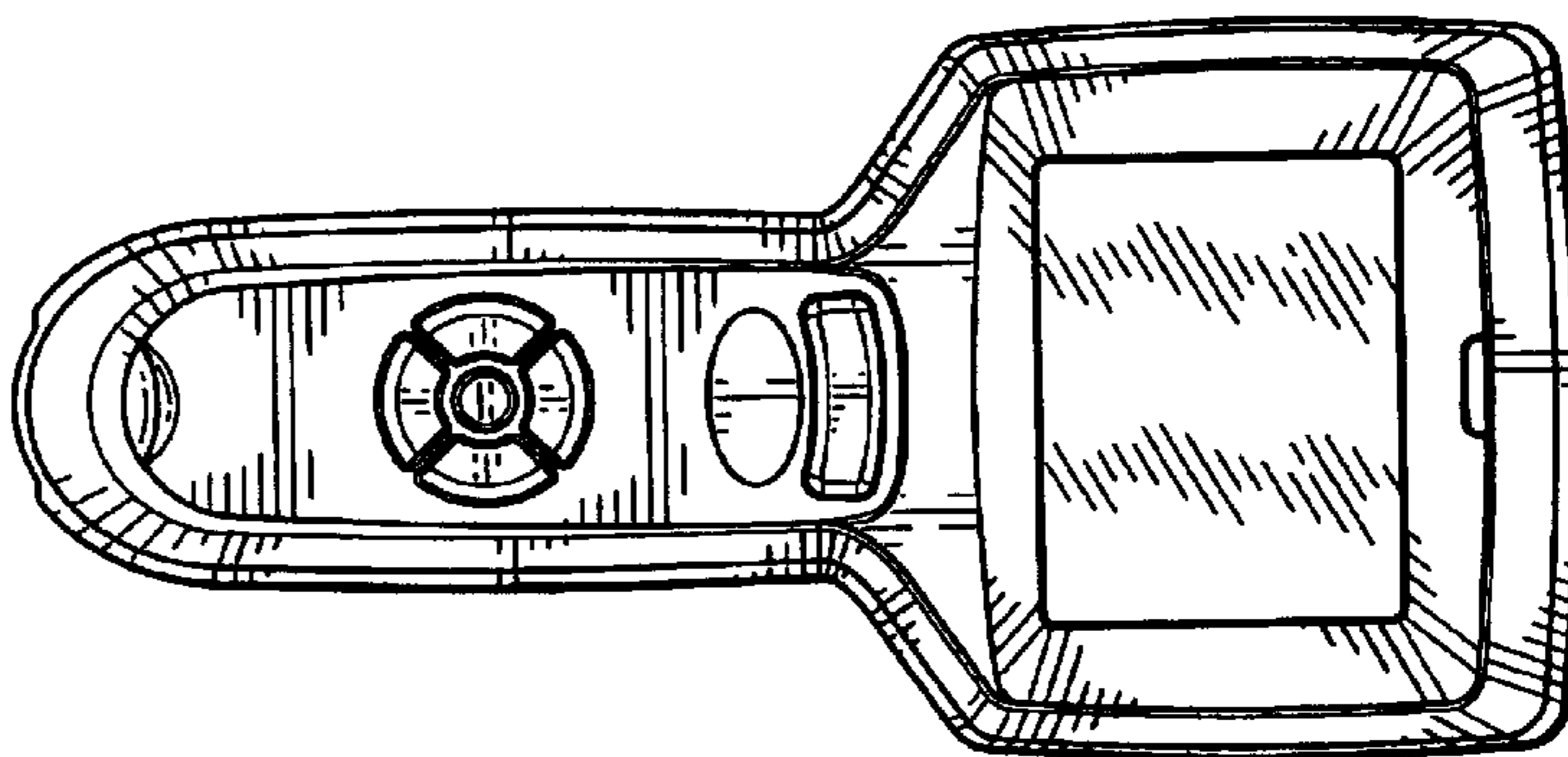
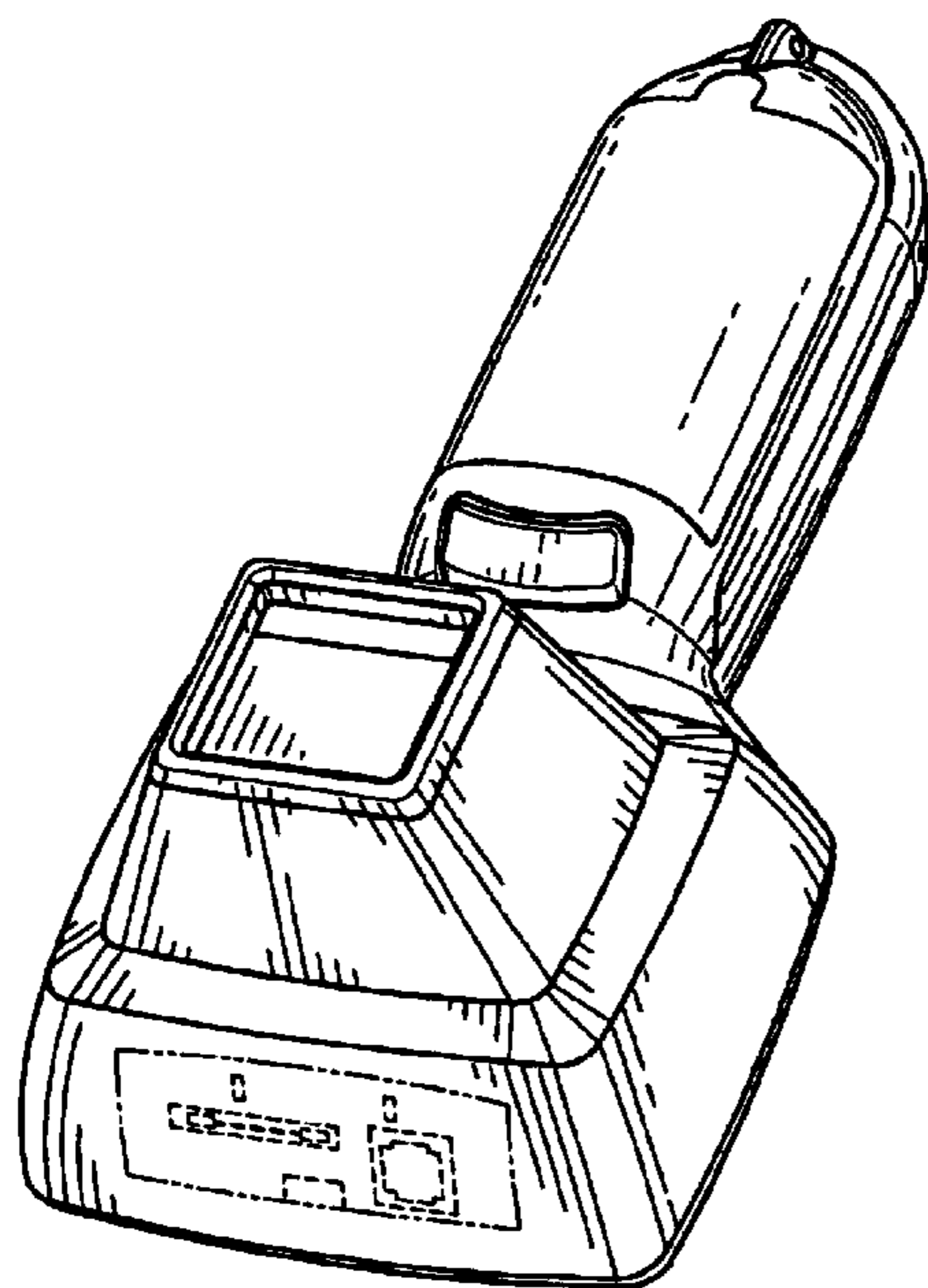
FIG. 6 is a side view of the surface viewer in accordance with the present invention;

FIG. 7 is a top view of the surface viewer in accordance with the present invention; and,

FIG. 8 is a bottom view of the surface viewer in accordance with the present invention.

Any dashed lines depict environment and are not part of the claimed design.

1 Claim, 3 Drawing Sheets



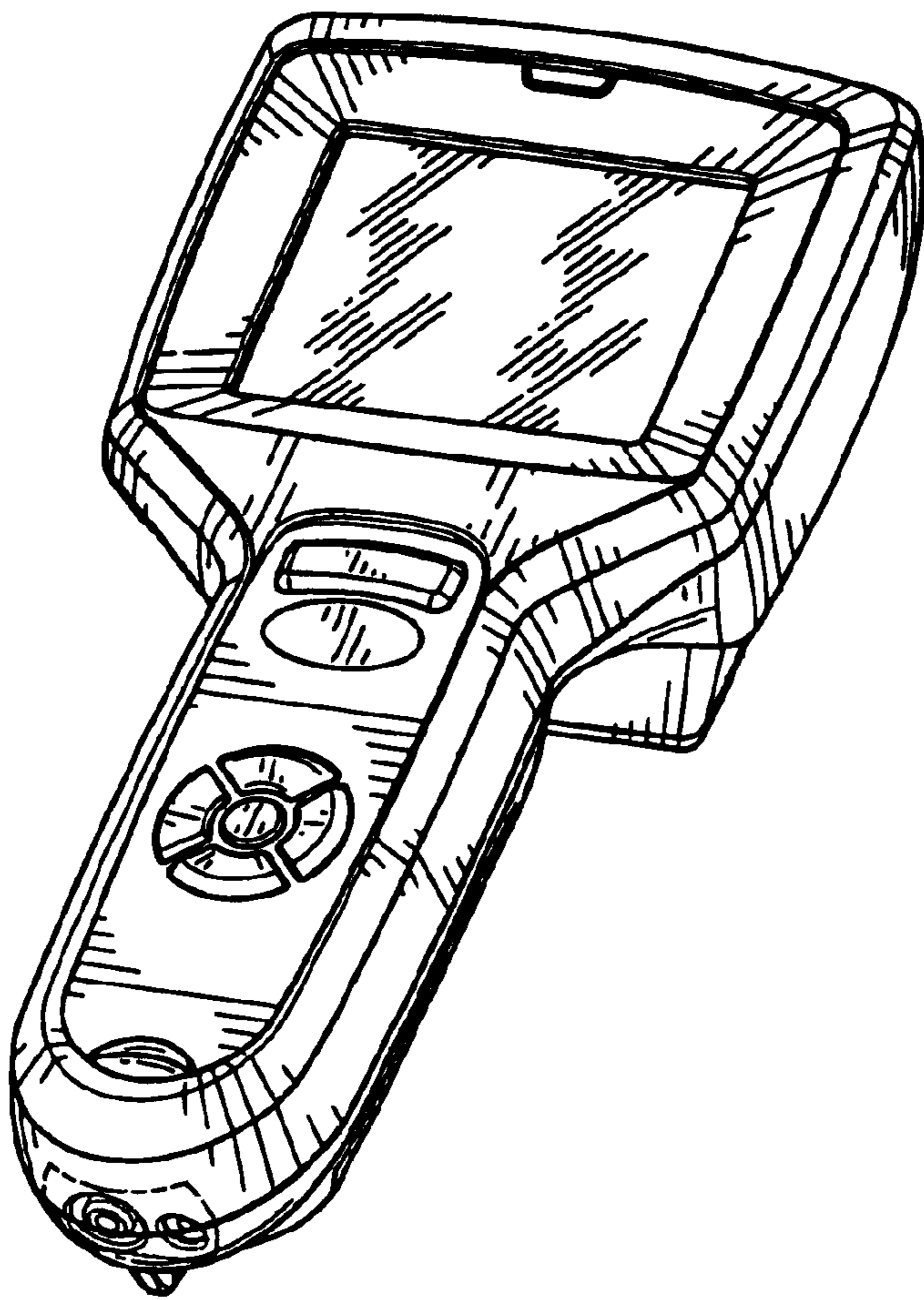


FIG. 1

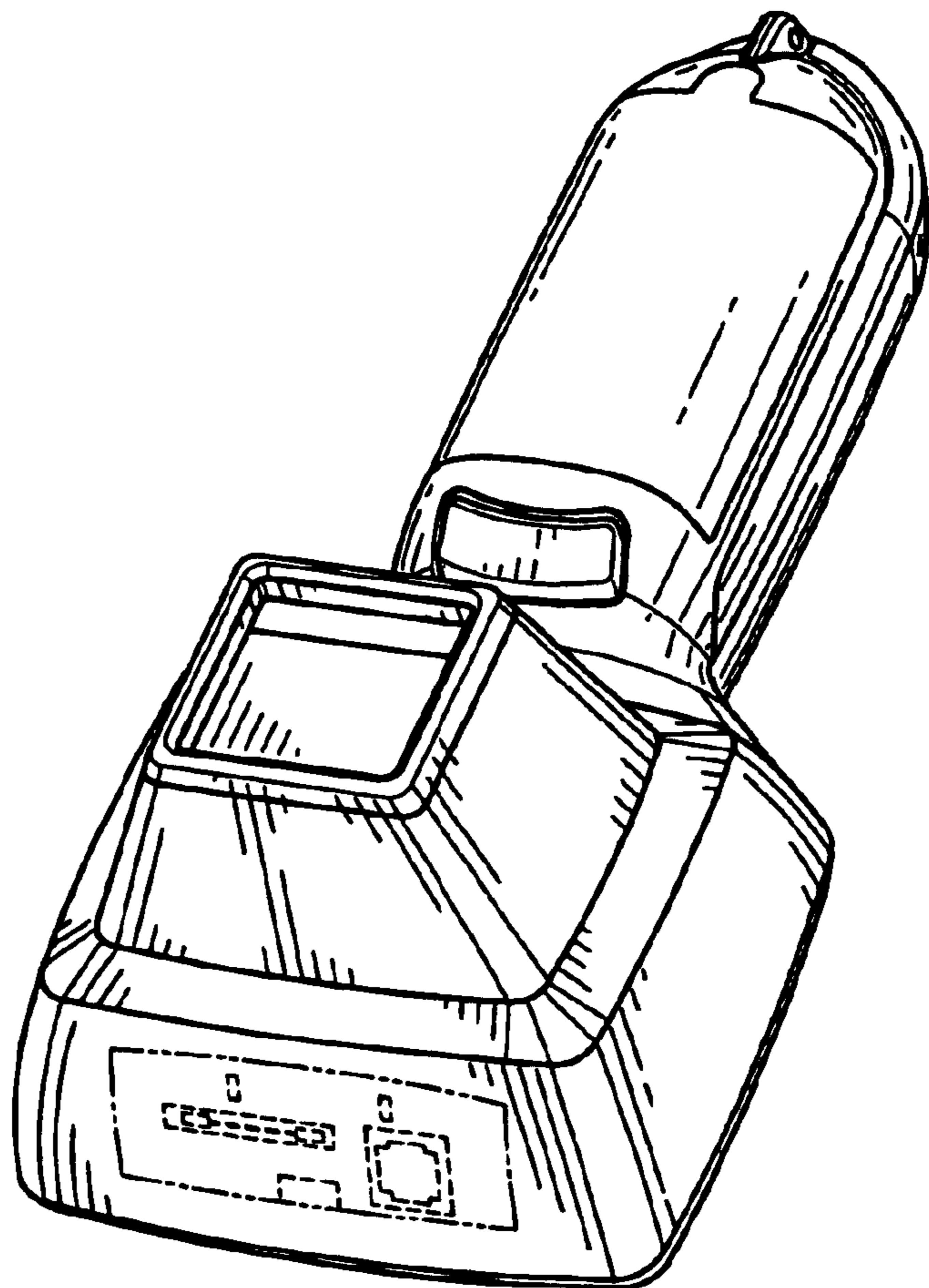


FIG. 2

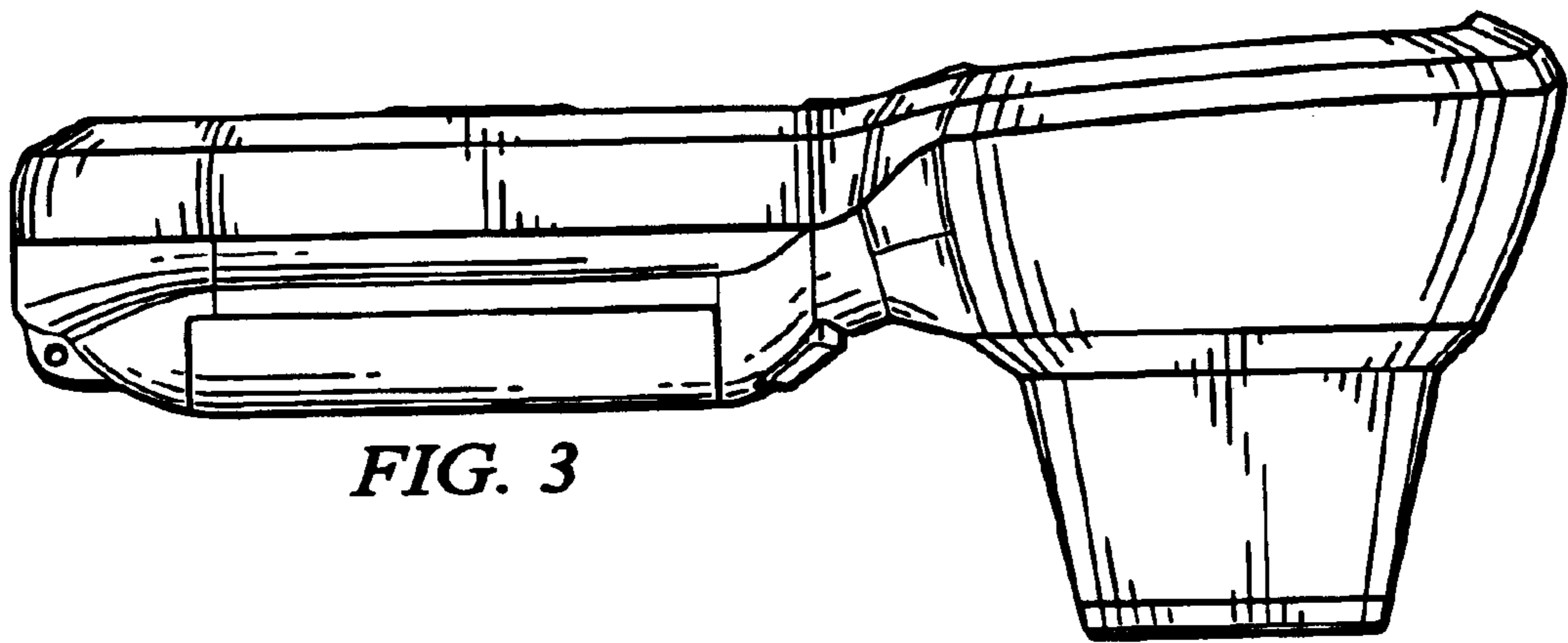


FIG. 3

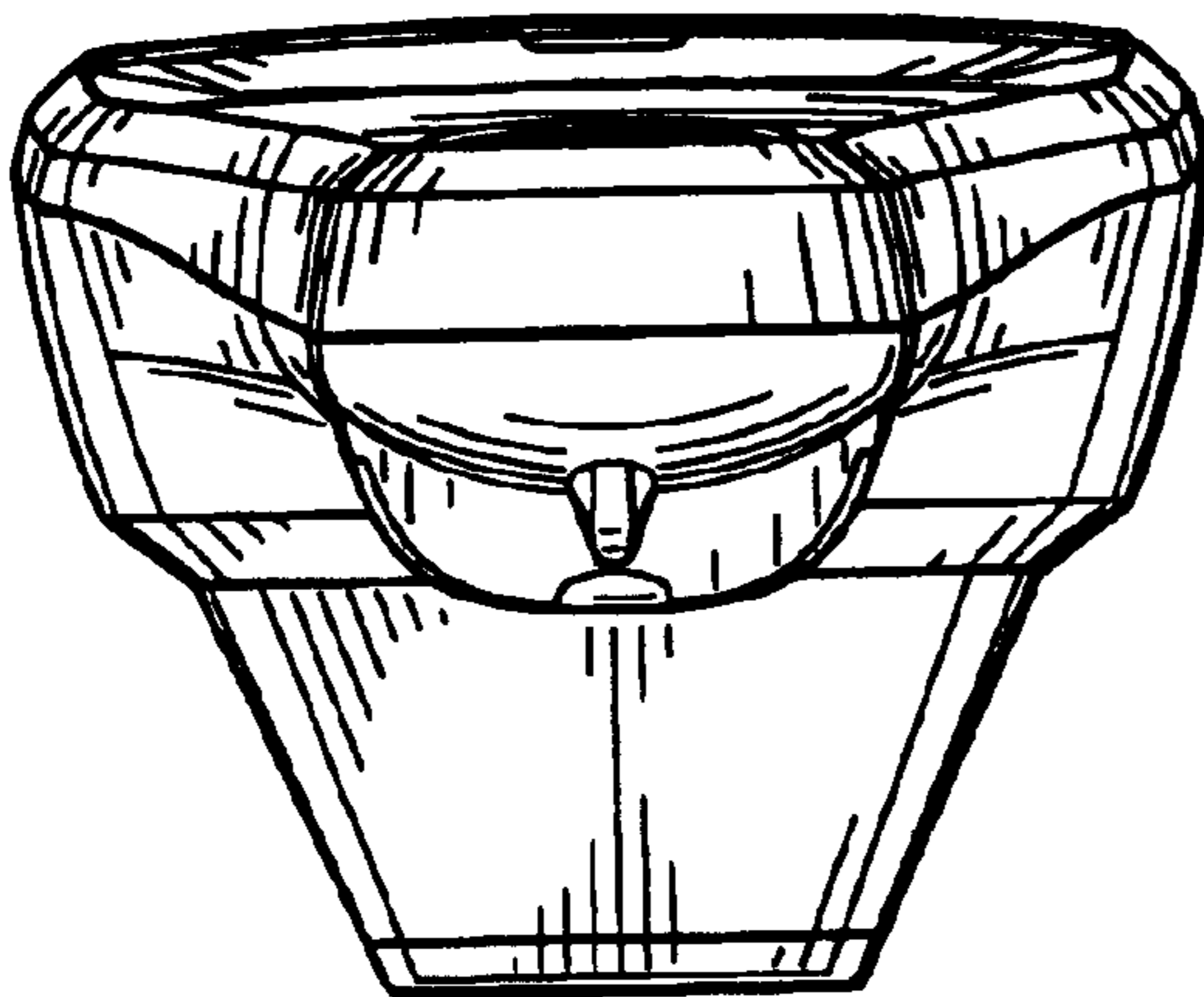


FIG. 4

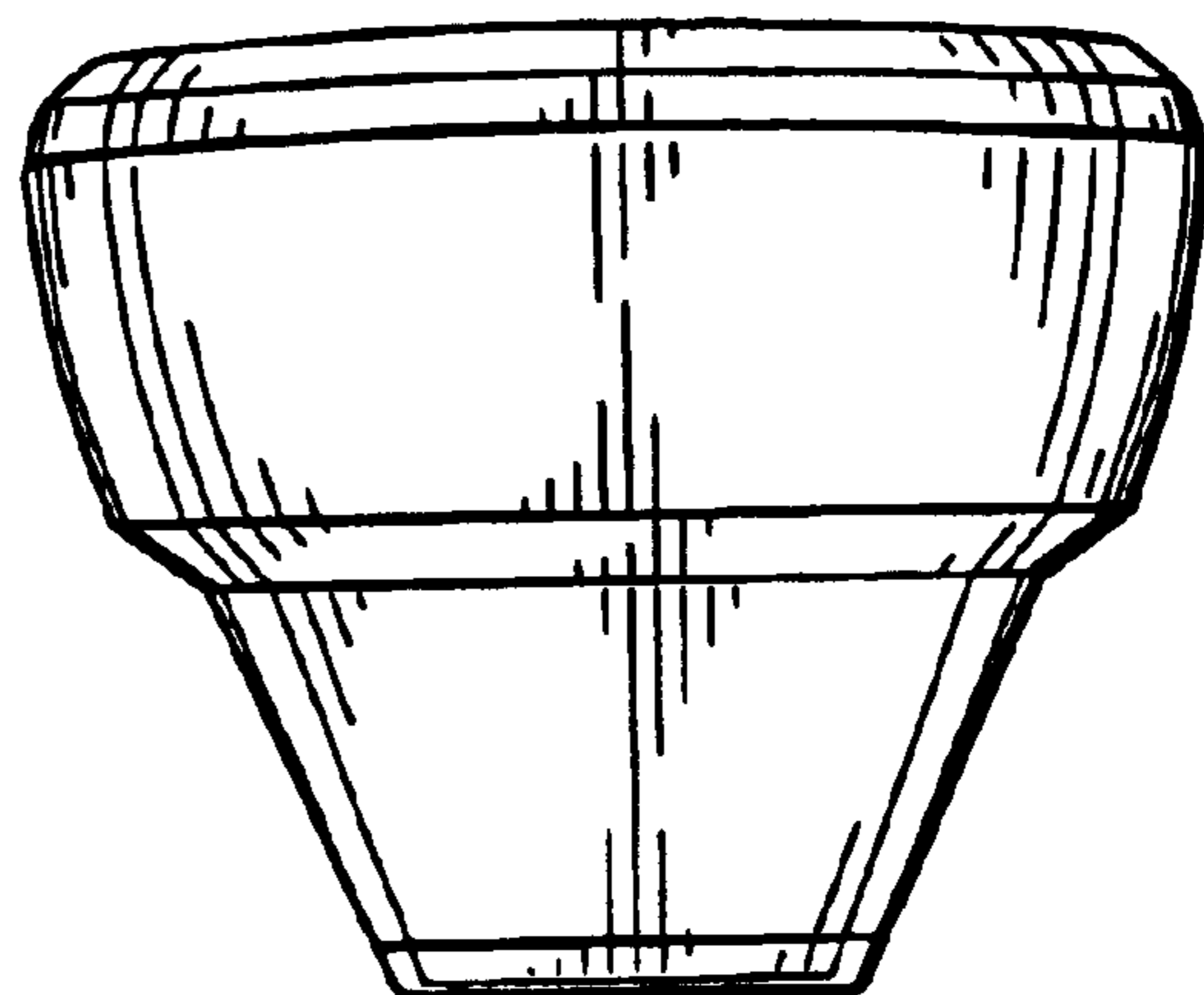


FIG. 5

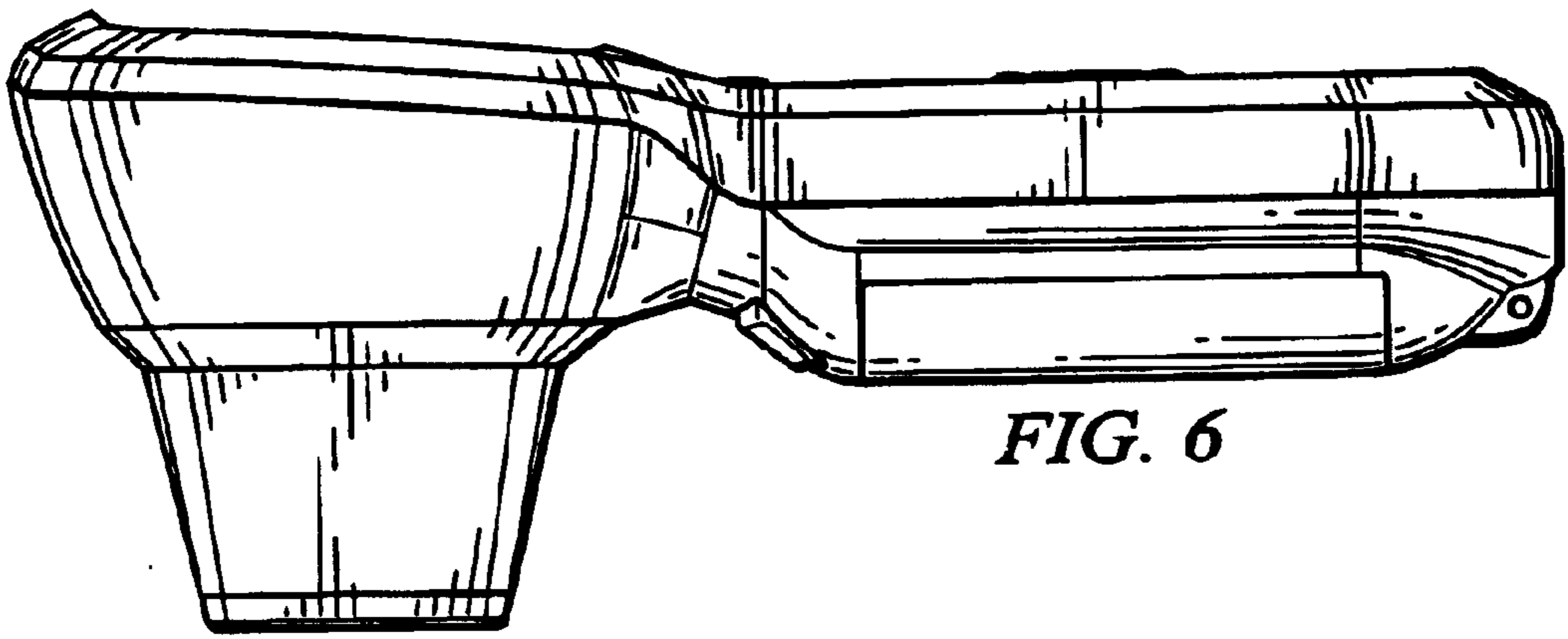


FIG. 6

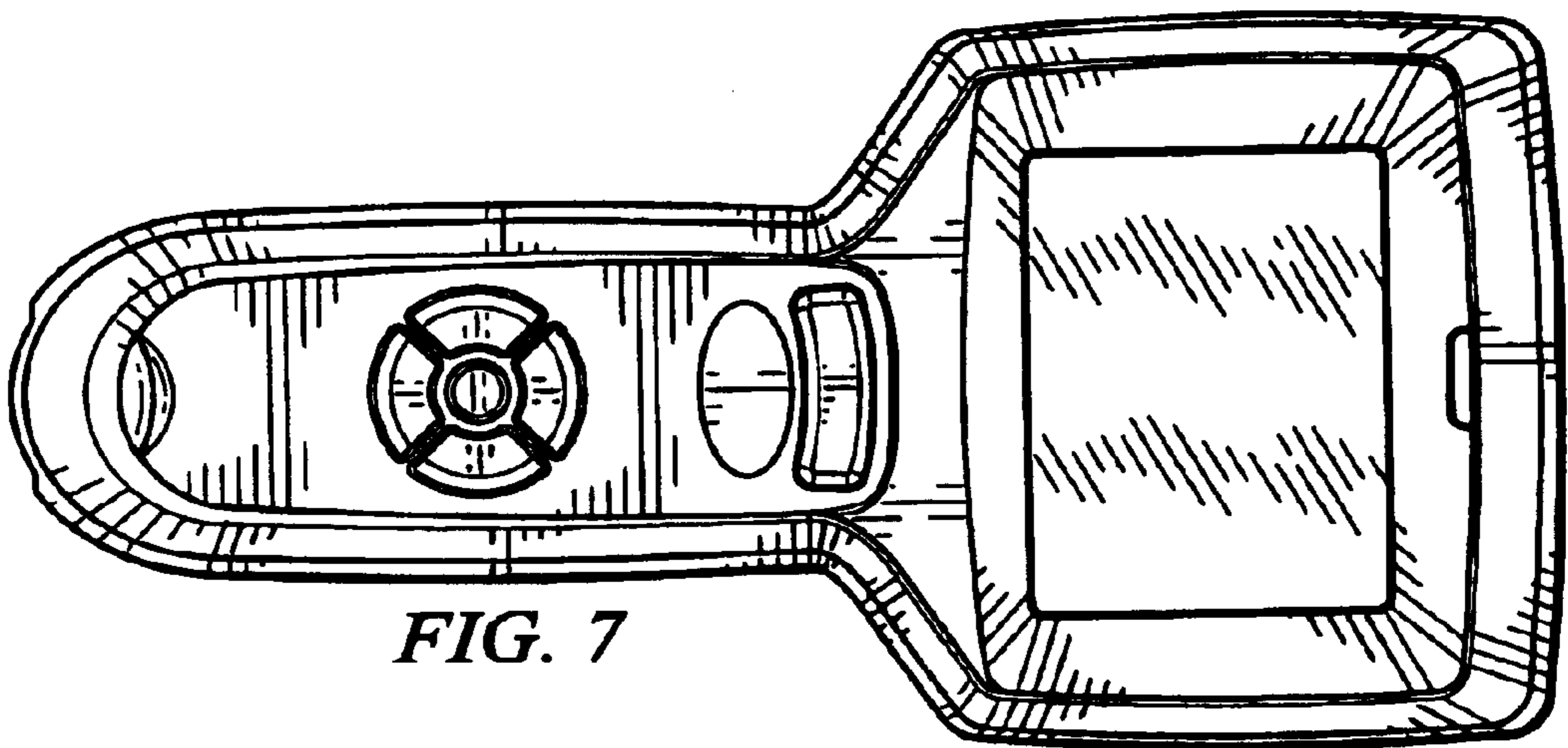


FIG. 7

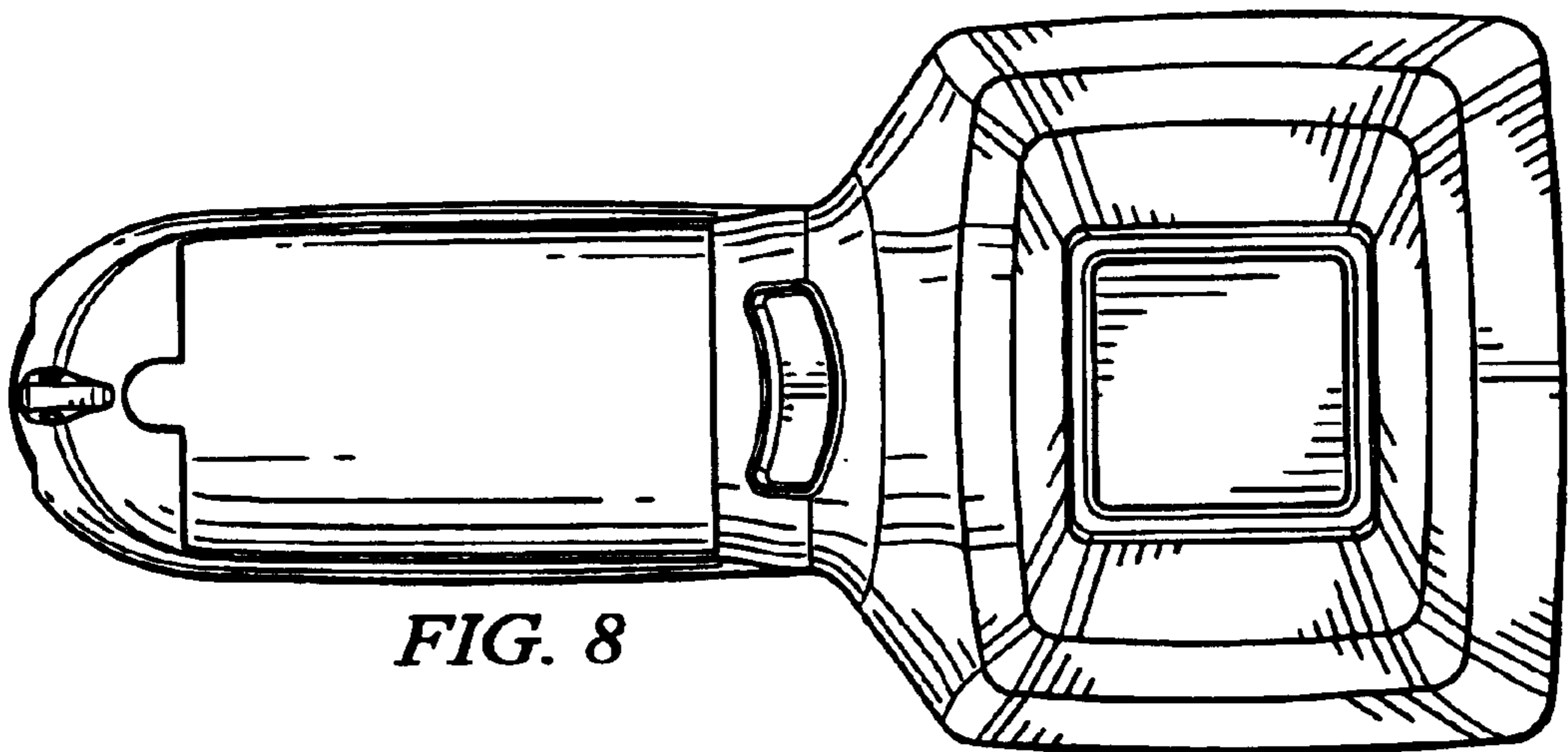


FIG. 8