



US00D491589S

(12) **United States Design Patent**
Raab et al.

(10) **Patent No.: US D491,589 S**
(45) **Date of Patent: ** Jun. 15, 2004**

(54) **PORTABLE COORDINATE MEASUREMENT MACHINE**

Primary Examiner—Antoine Duval Davis
(74) *Attorney, Agent, or Firm*—Cantor Colburn LLP

(75) Inventors: **Simon Raab**, Maitland, FL (US); **Seyed Ali Sajedi**, Winter Park, FL (US); **Kenneth J. Hasloeher**, Deltona, FL (US); **Marc Barber**, Deltona, FL (US)

(57) **CLAIM**

The ornamental design for a portable coordinate measurement machine, as shown.

(73) Assignee: **Faro Technologies, Inc.**, Lake Mary, FL (US)

DESCRIPTION

(**) Term: **14 Years**

(21) Appl. No.: **29/175,956**

(22) Filed: **Feb. 13, 2003**

FIG. 1 is a front perspective view of our new portable coordinate measurement machine;
FIG. 2 is a front view thereof;
FIG. 3 is a rear view thereof;
FIG. 4 is a right side view thereof with the left side view being a mirror image thereof;
FIG. 5 is a top view thereof;
FIG. 6 is a bottom view thereof;
FIG. 7 is a front perspective view of a second embodiment of our new portable coordinate measurement machine;
FIG. 8 is a front view thereof;
FIG. 9 is a rear view thereof;
FIG. 10 is a right side view thereof with the left side view being a mirror image thereof;
FIG. 11 is a top view thereof;
FIG. 12 is a bottom view thereof;
FIG. 13 is a front perspective view of a third embodiment of our new portable coordinate measurement machine;
FIG. 14 is a front view thereof;
FIG. 15 is a rear view thereof;
FIG. 16 is a right side view thereof with the left side view being a mirror image thereof;
FIG. 17 is a top view thereof;
FIG. 18 is a bottom view thereof;
FIG. 19 is a front perspective view of a fourth embodiment of our new portable coordinate measurement machine;
FIG. 20 is a front view thereof;
FIG. 21 is a rear view thereof;
FIG. 22 is a right side view thereof with the left side view being a mirror image thereof;
FIG. 237 is a top view thereof; and,
FIG. 24 is a bottom view thereof.

Related U.S. Application Data

(63) Continuation-in-part of application No. 29/166,332, filed on Aug. 26, 2002, now Pat. No. Des. 479,544, which is a continuation-in-part of application No. 29/155,790, filed on Feb. 14, 2002, now Pat. No. Des. 472,824.

(51) **LOC (7) Cl. 15-99**

(52) **U.S. Cl. D15/199**

(58) **Field of Search D15/199; 38/1 M, 38/503-506, 556-561; 74/409.02; 702/150**

(56) **References Cited**

U.S. PATENT DOCUMENTS

4,593,470 A 6/1986 Davies 33/1
4,676,002 A 6/1987 Slocum 33/1

(List continued on next page.)

FOREIGN PATENT DOCUMENTS

DE 42 31 040 A1 3/1994
DE 101 12 977 C1 2/2002

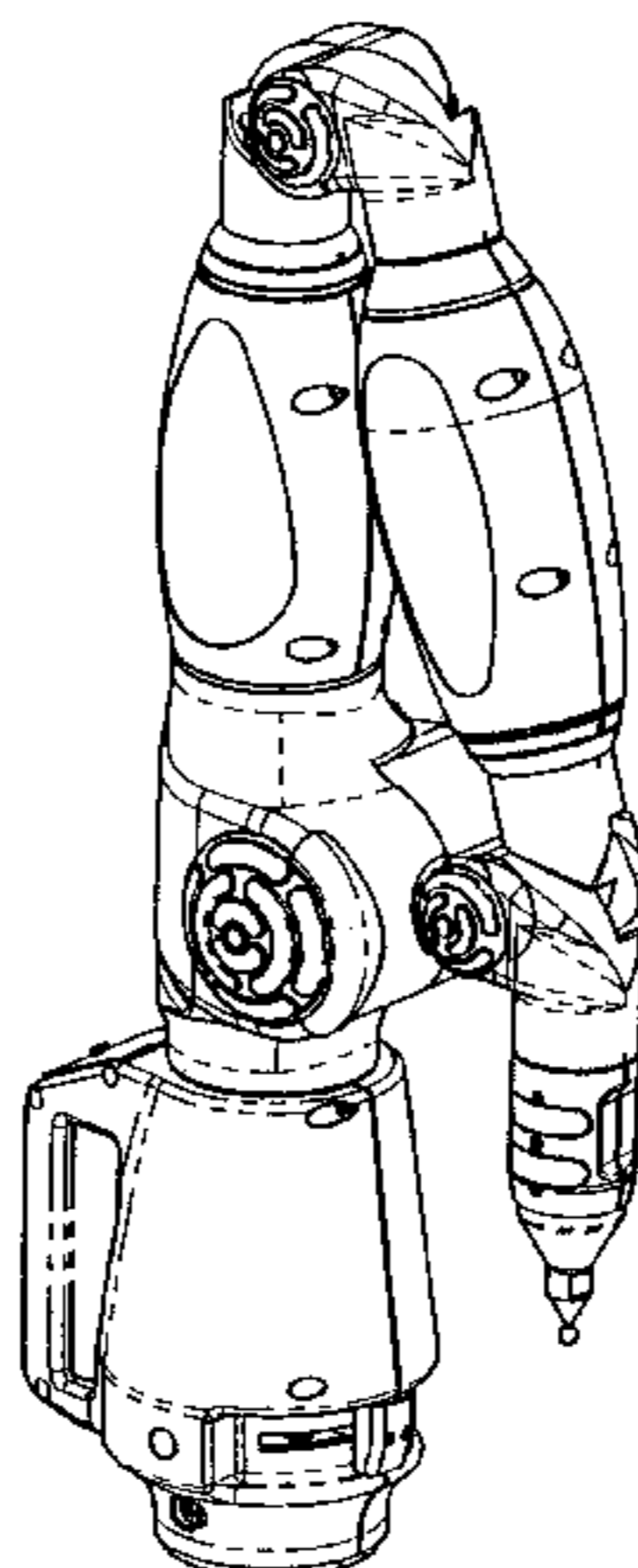
(List continued on next page.)

OTHER PUBLICATIONS

<http://scanworks.perceptron.com/products>.
<http://scanworks.perceptron.com>.

(List continued on next page.)

1 Claim, 24 Drawing Sheets



US D491,589 S

Page 2

U.S. PATENT DOCUMENTS

4,937,759 A	6/1990	Vold	364/513
5,050,608 A	9/1991	Watanabe et al.	128/653
5,086,401 A	2/1992	Glassman et al.	395/94
5,189,797 A	3/1993	Granger	33/1
D344,279 S	2/1994	Koyama et al.	D15/199
5,412,880 A	5/1995	Raab	33/503
D377,932 S	2/1997	Schena et al.	D14/114
5,611,147 A	3/1997	Raab	33/503
5,724,264 A	3/1998	Rosenberg et al.	364/559
5,768,792 A	6/1998	Raab	33/503
5,807,449 A	9/1998	Hooker et al.	156/64
5,829,148 A	11/1998	Eaton	33/503
D410,477 S	6/1999	Nihei et al.	D15/199
5,978,748 A	11/1999	Raab	702/150
D423,534 S	4/2000	Raab et al.	D15/199
6,131,299 A	10/2000	Raab et al.	33/503
6,151,789 A	11/2000	Raab et al.	33/503

FOREIGN PATENT DOCUMENTS

EP	0 155 084 A1	9/1985
FR	86 06186	4/1986
FR	2 634 379	7/1988
GB	2 264 601 A	1/1993

GB	2 264 602 A	1/1993
JP	56062783	5/1981
JP	57073602	5/1982
JP	2168303	6/1990
JP	2212085	8/1990
WO	WO 94/15173	7/1994
WO	WO 98/08050	2/1998
WO	WO 01/63202 A1	2/2001

OTHER PUBLICATIONS

www.romer.com—1000i Series System Package.

www.romer.com—3000i Specifications.

www.romer.co,—Seventh Axis Linear Rail.

www.romer.fr.

Takehis Komino, "Three Dimensional Coordinate Measuring System," Vectoron, Model VSC-07, VSC-14, vol. 30, No. 12, pp. 52-59.

<http://www.kreon3d.com>.

<http://www.3dscanners.com/1999/htm>—pp. 1, 4 & 8.

<http://www.optimet.com/Sensors.htm>.

Portable 6 Axes Measuring System, Type AMPG, ZETT MESS Technik GmbH, D 53757 Sankt Augustin

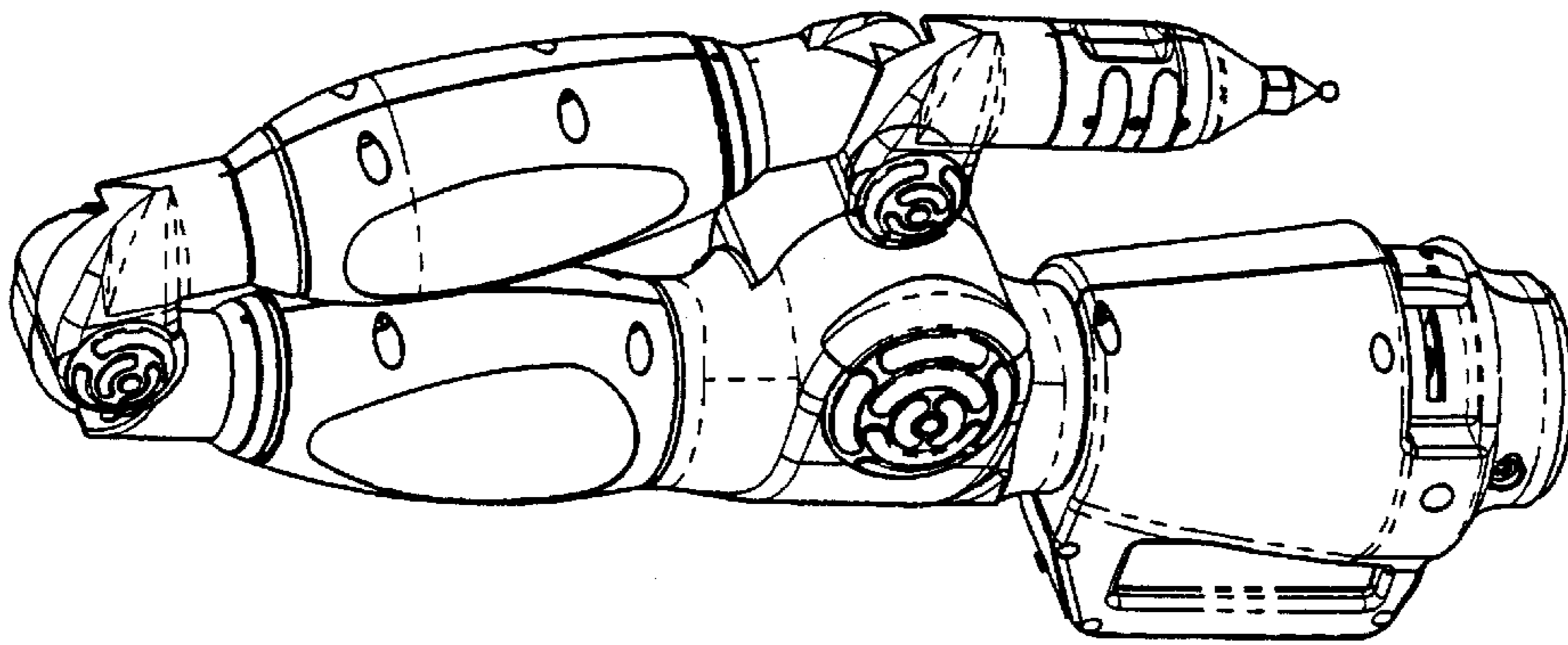


FIG. 1

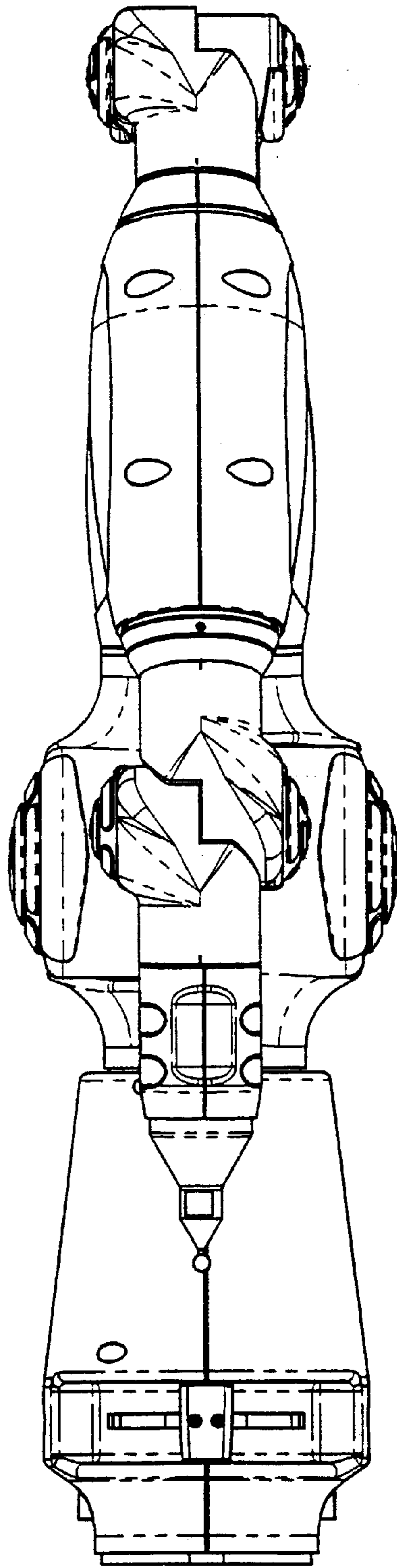


FIG. 2

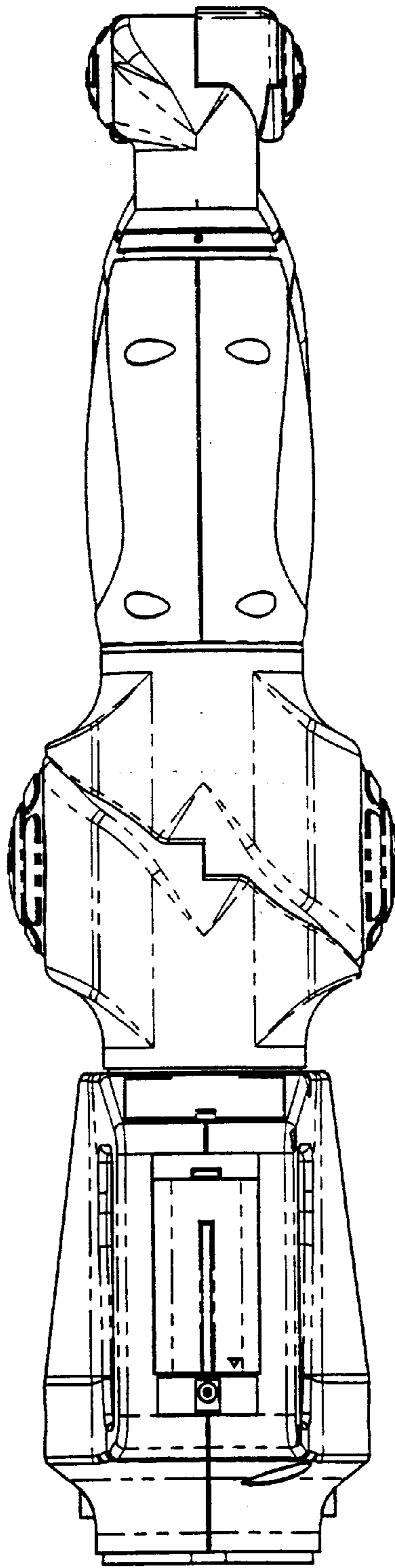


FIG. 3

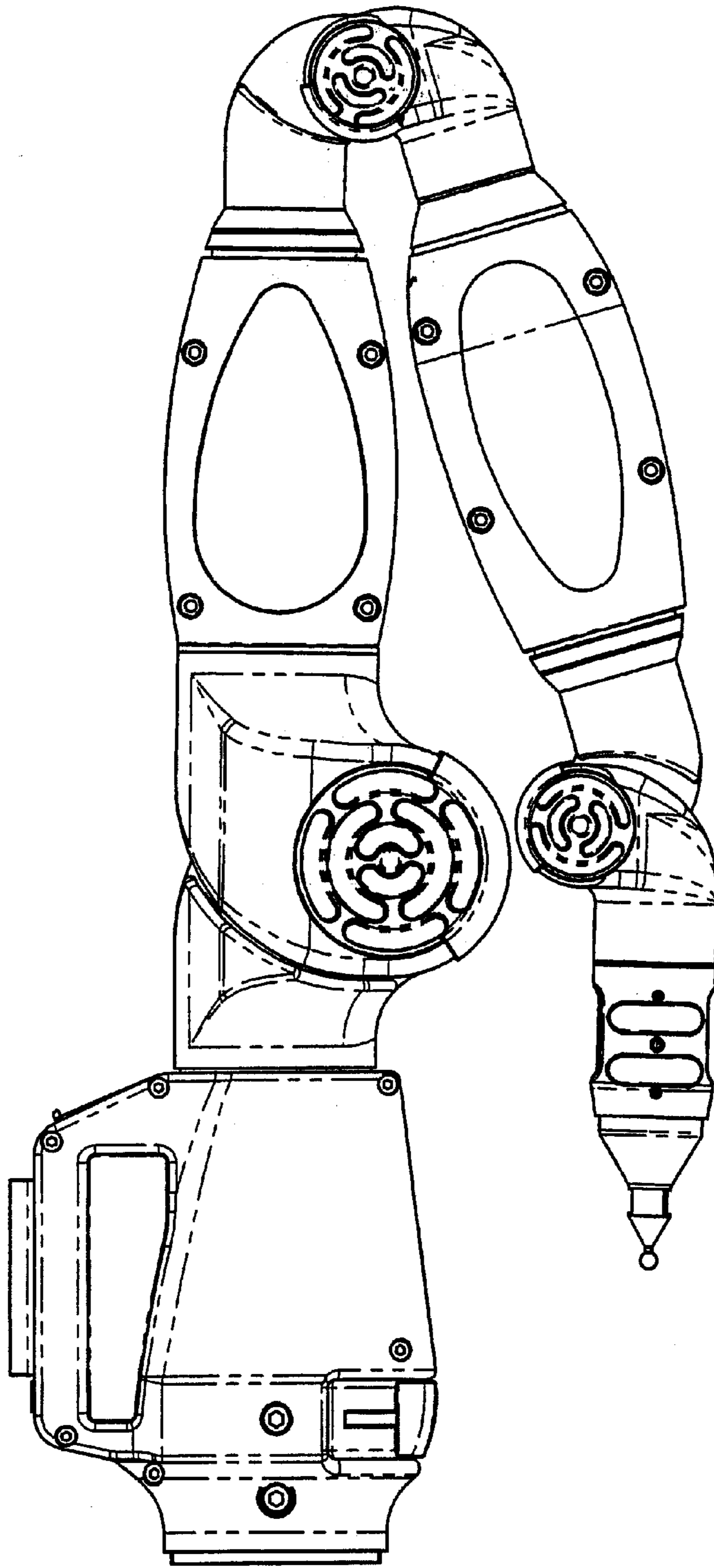


FIG. 9

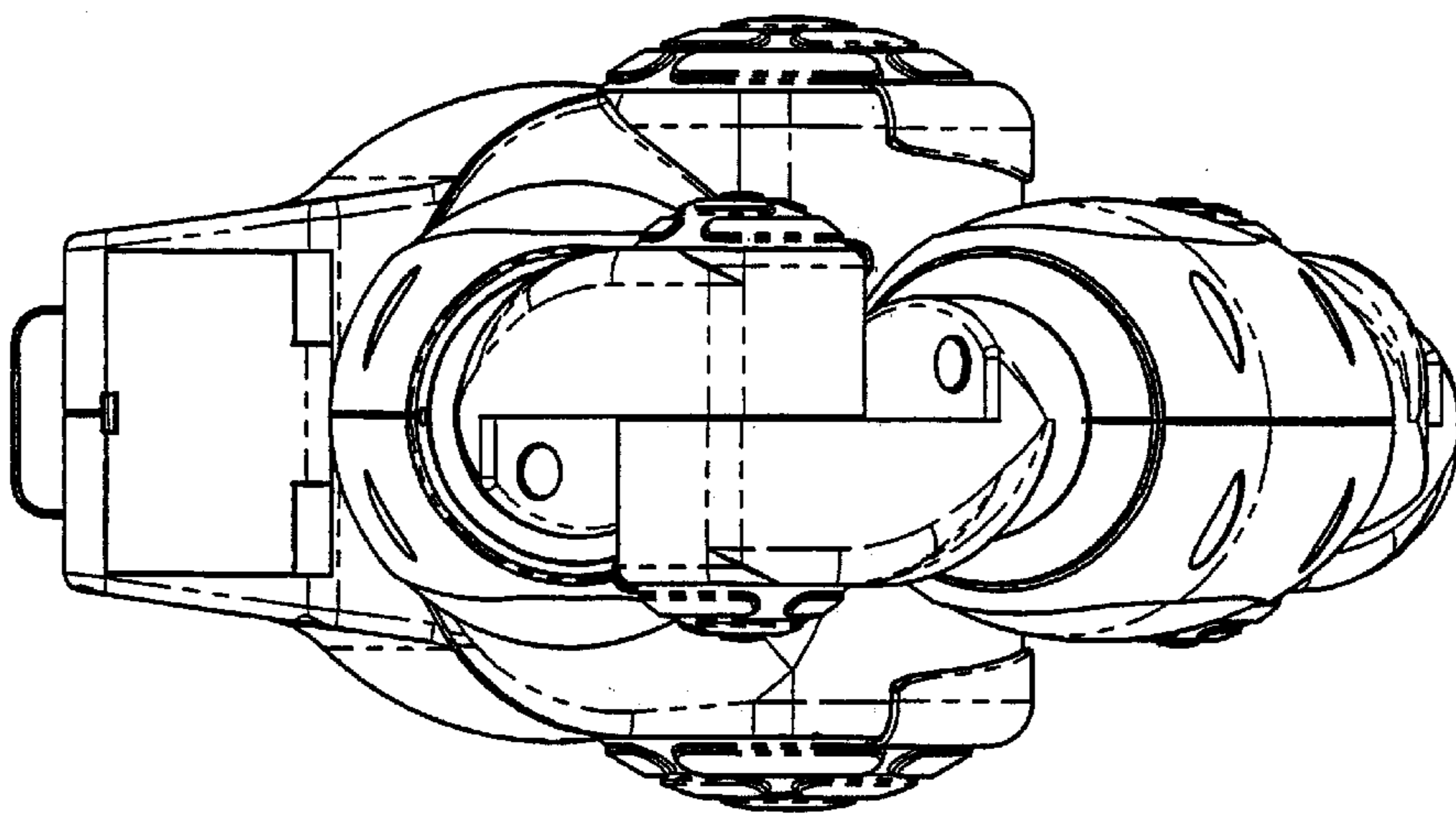


FIG. 5

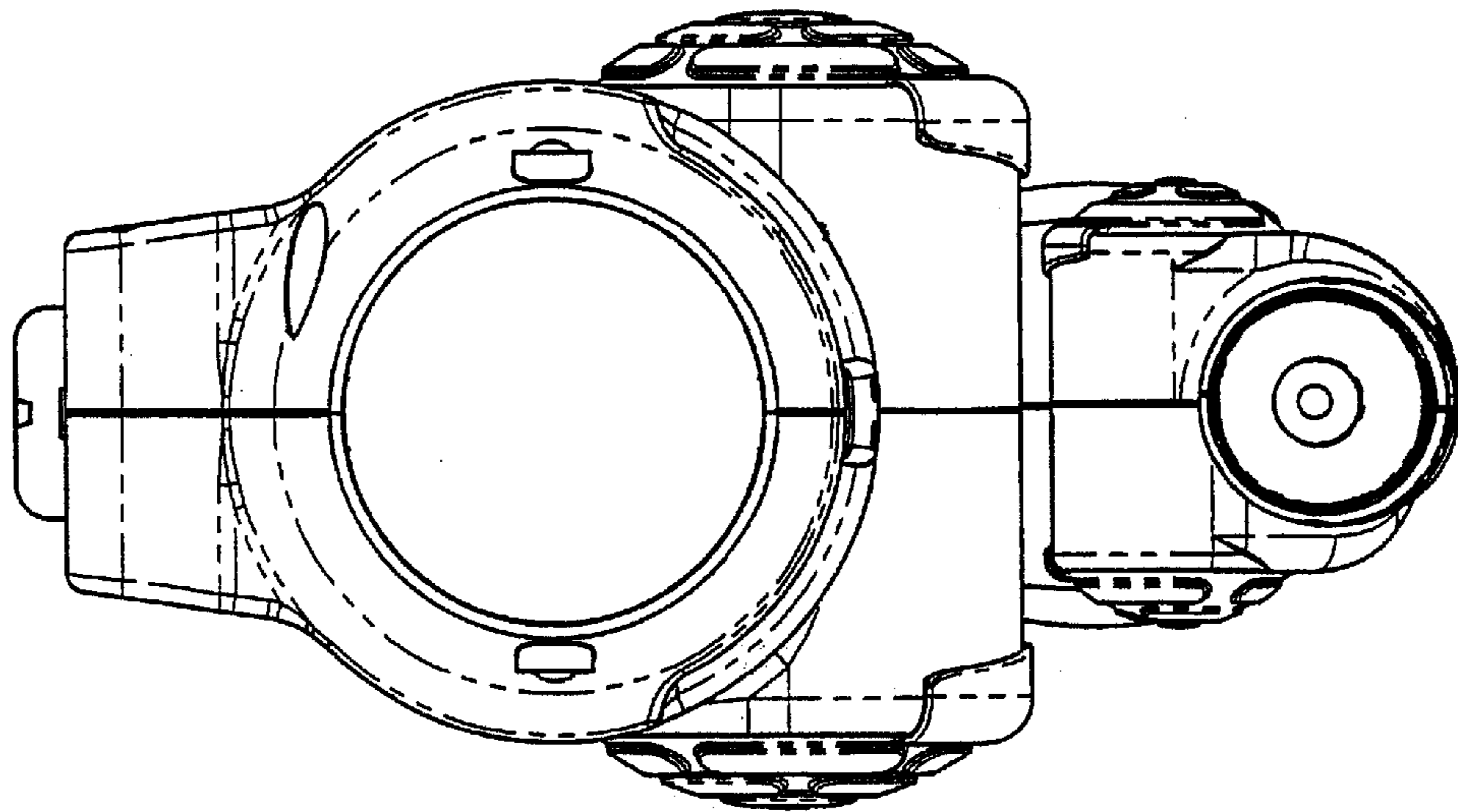


FIG. 6

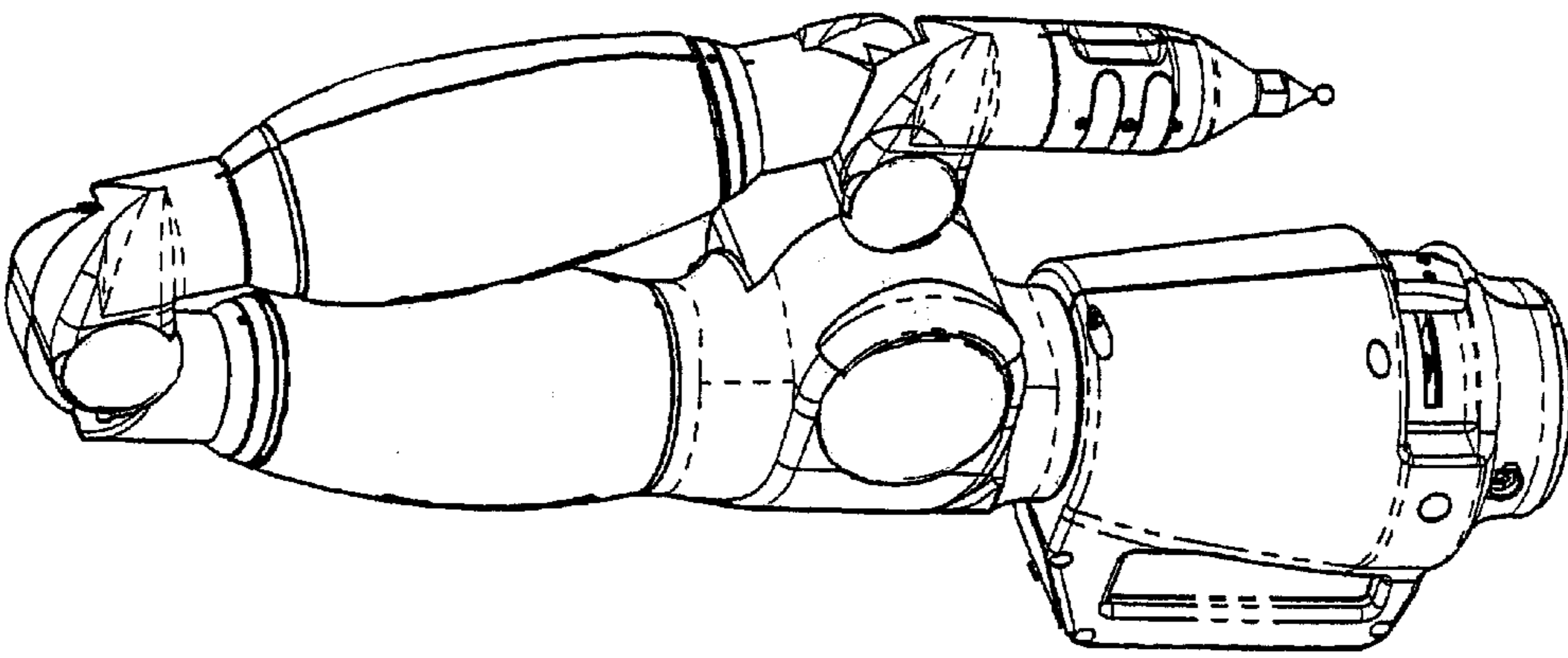


FIG. 7

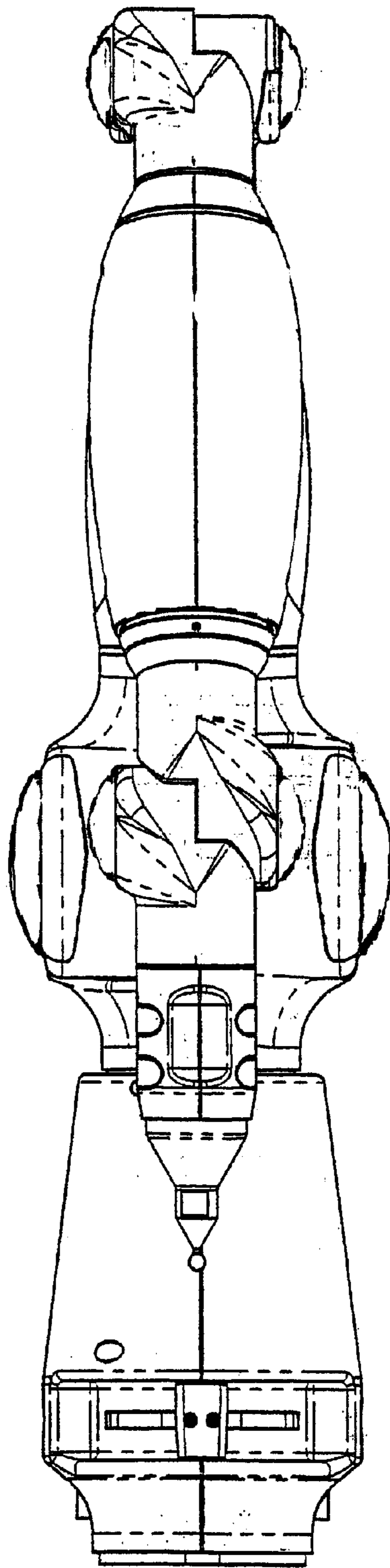


FIG. 8

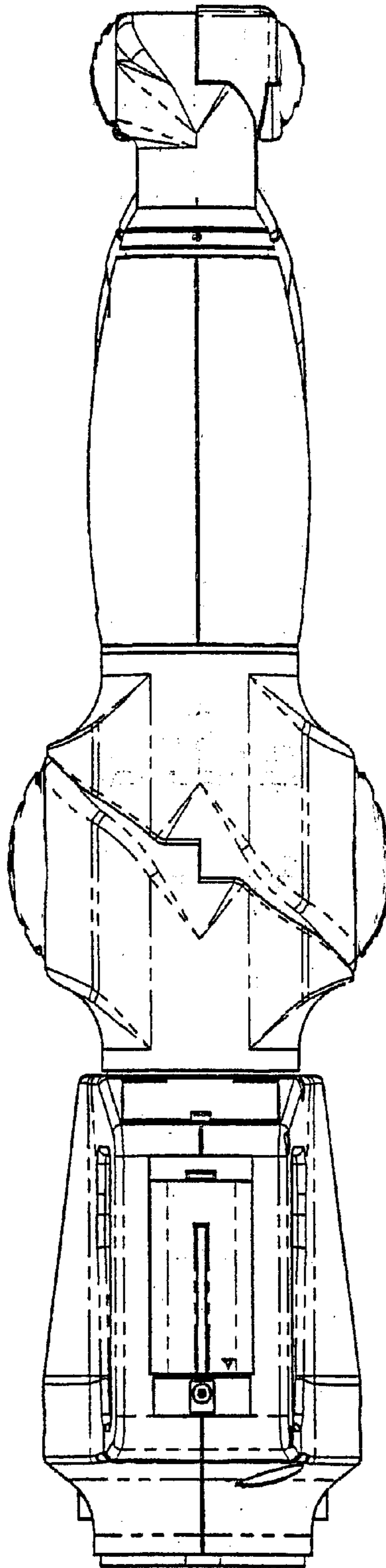


FIG. 9

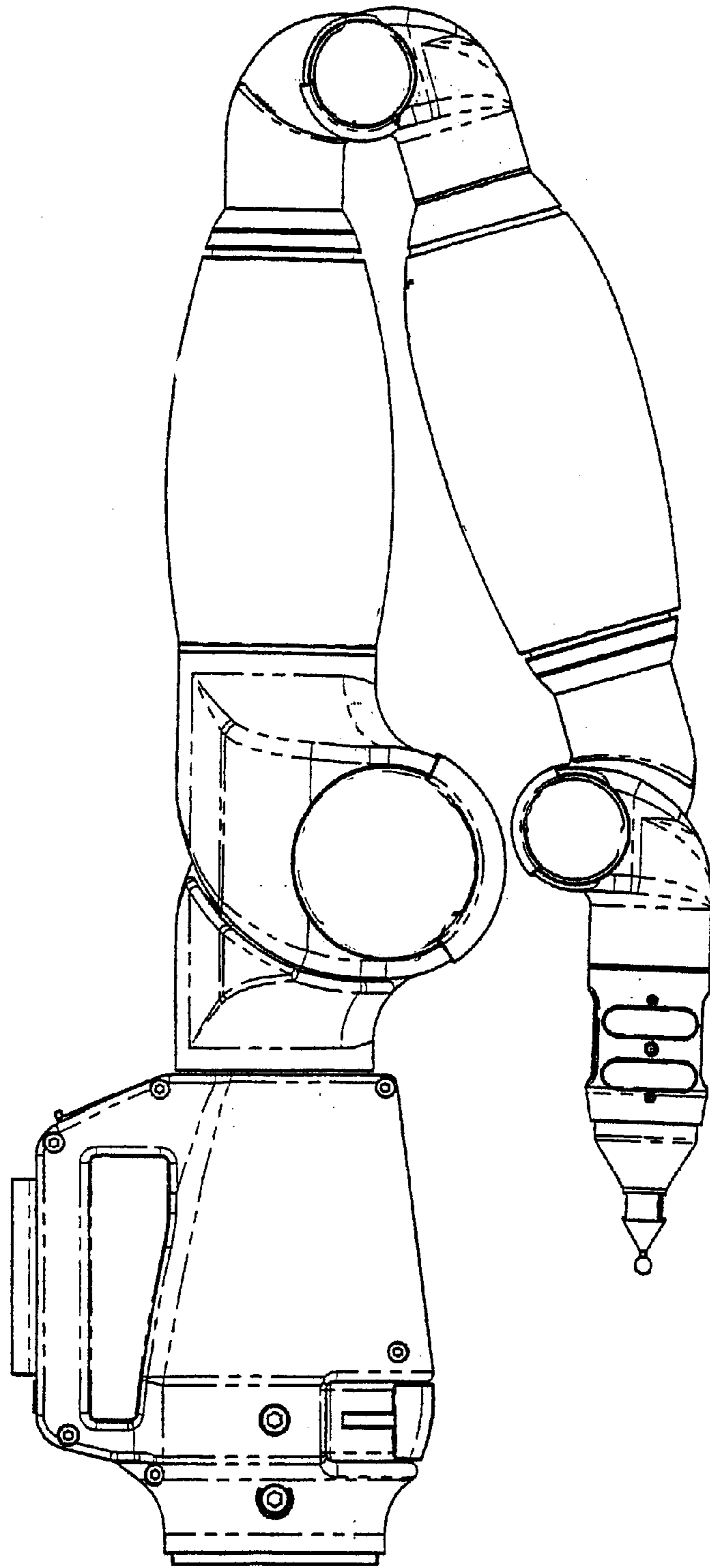


FIG. 10

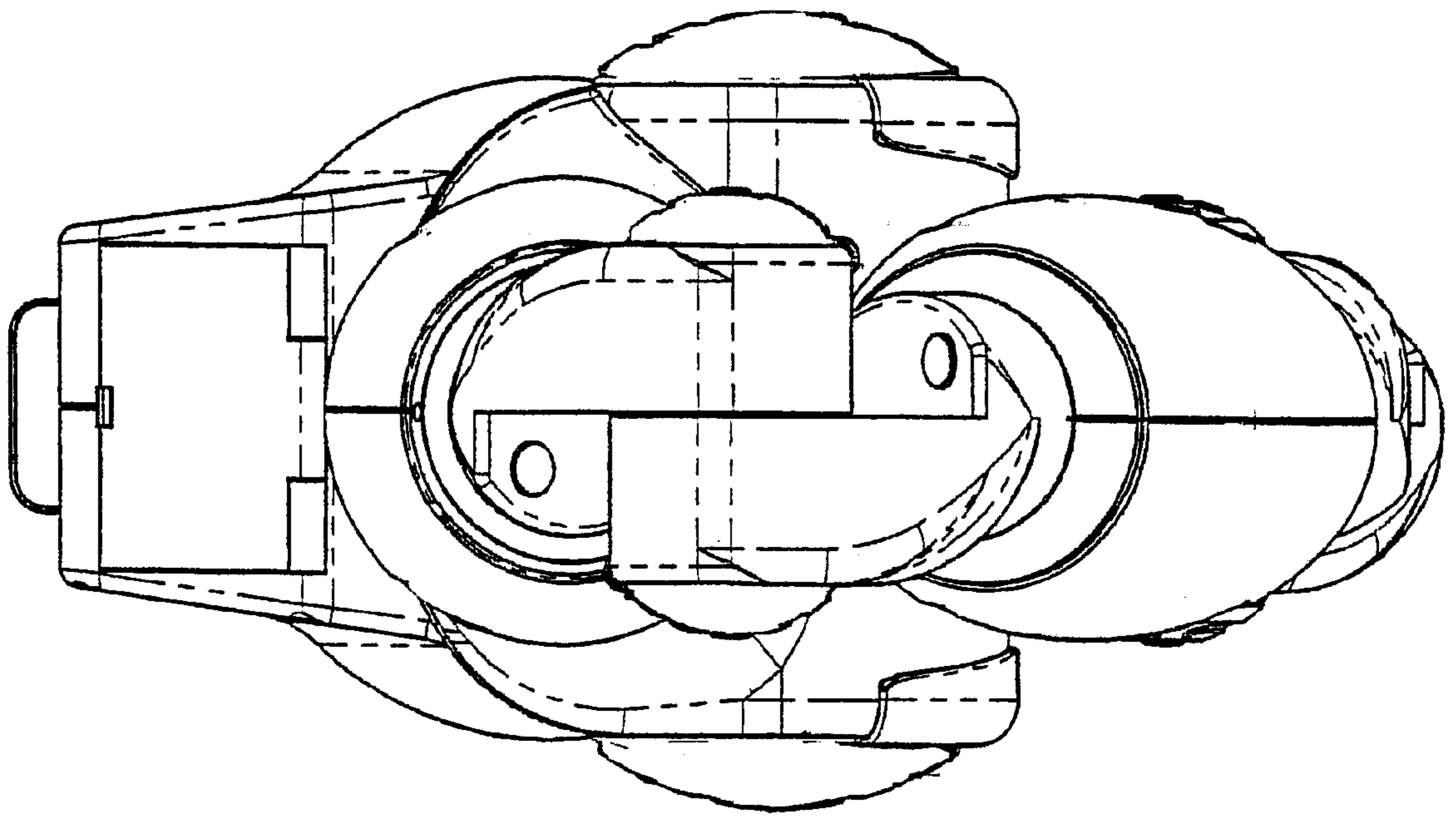


FIG. 11

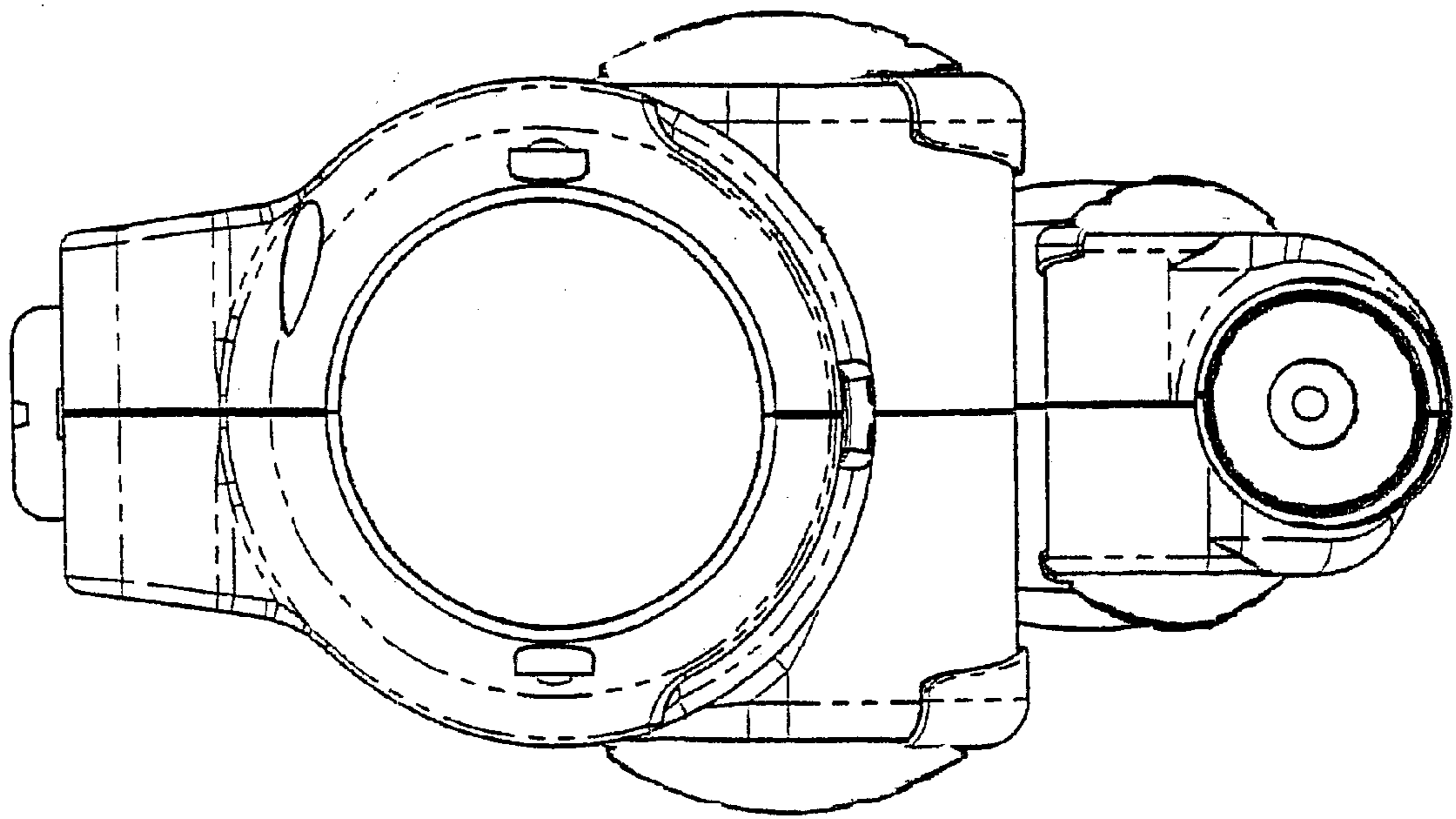


FIG. 12

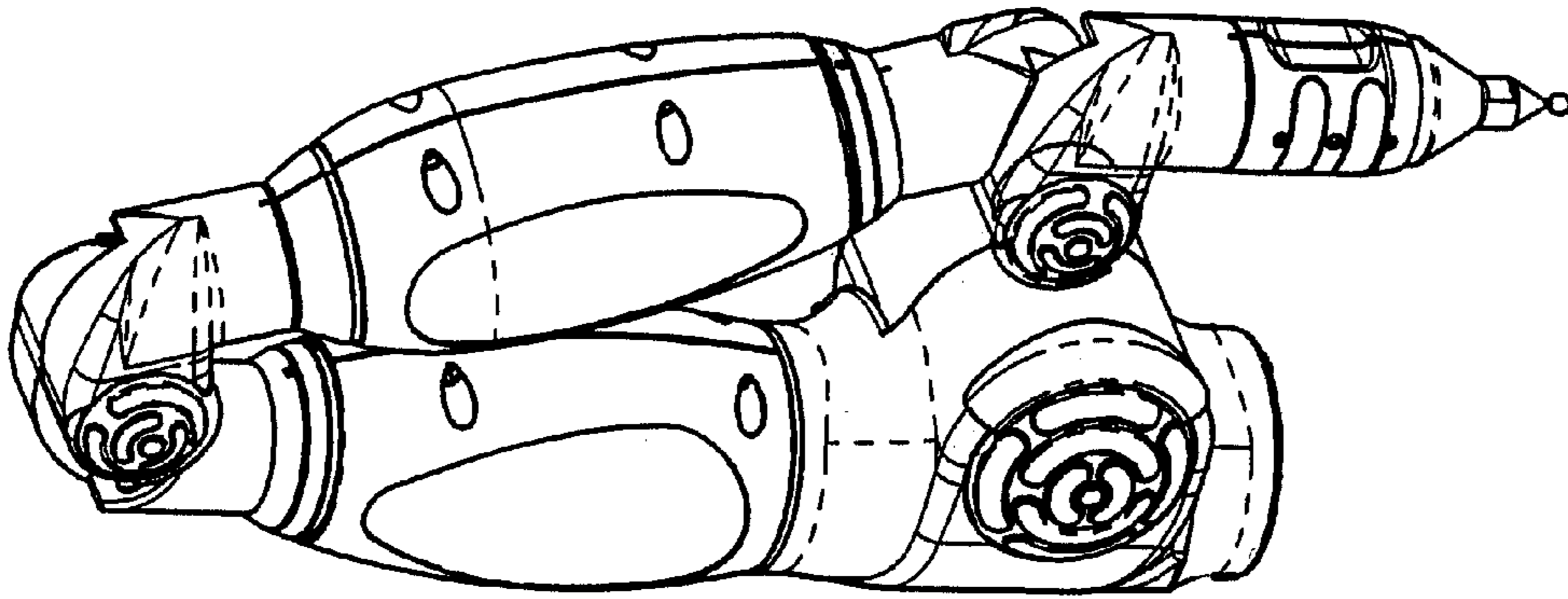


FIG. 13

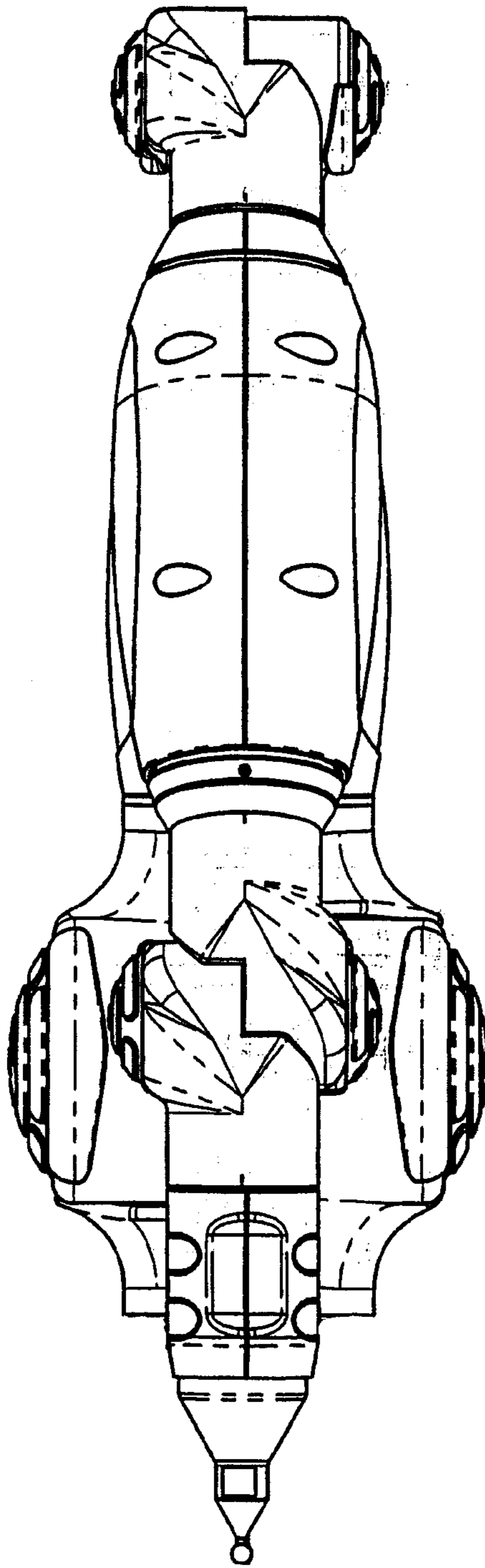


FIG. 14

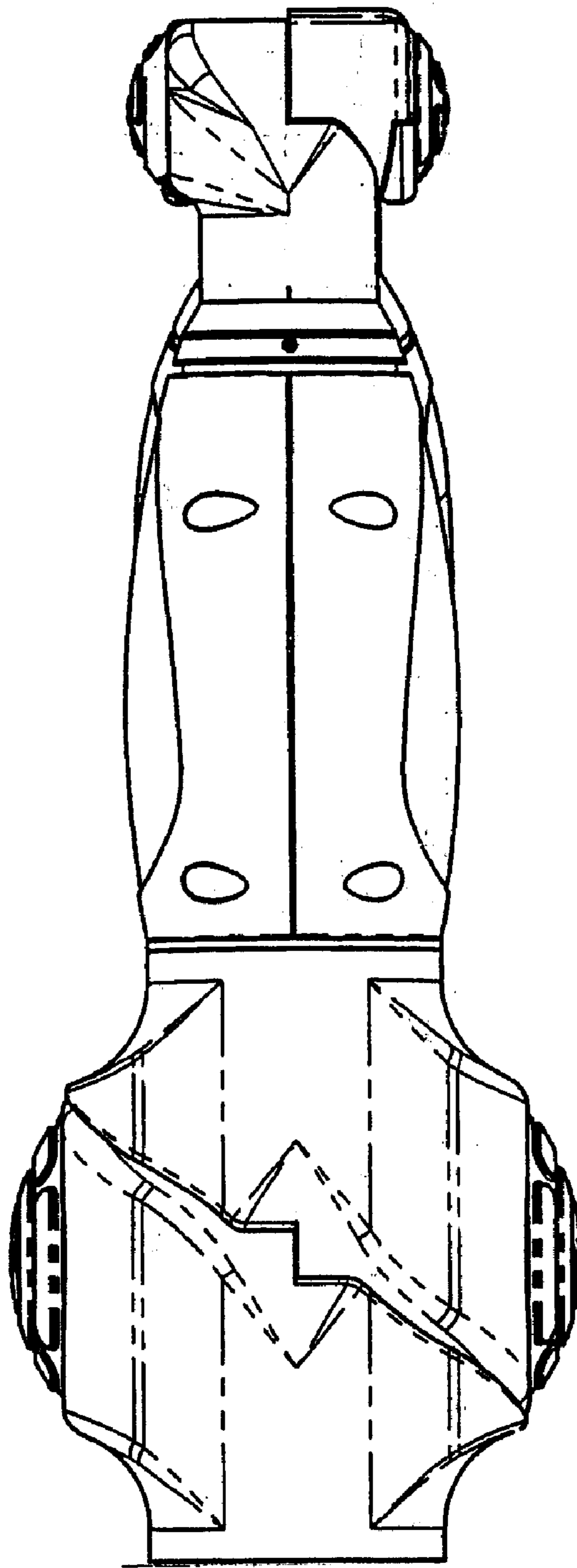


FIG. 15

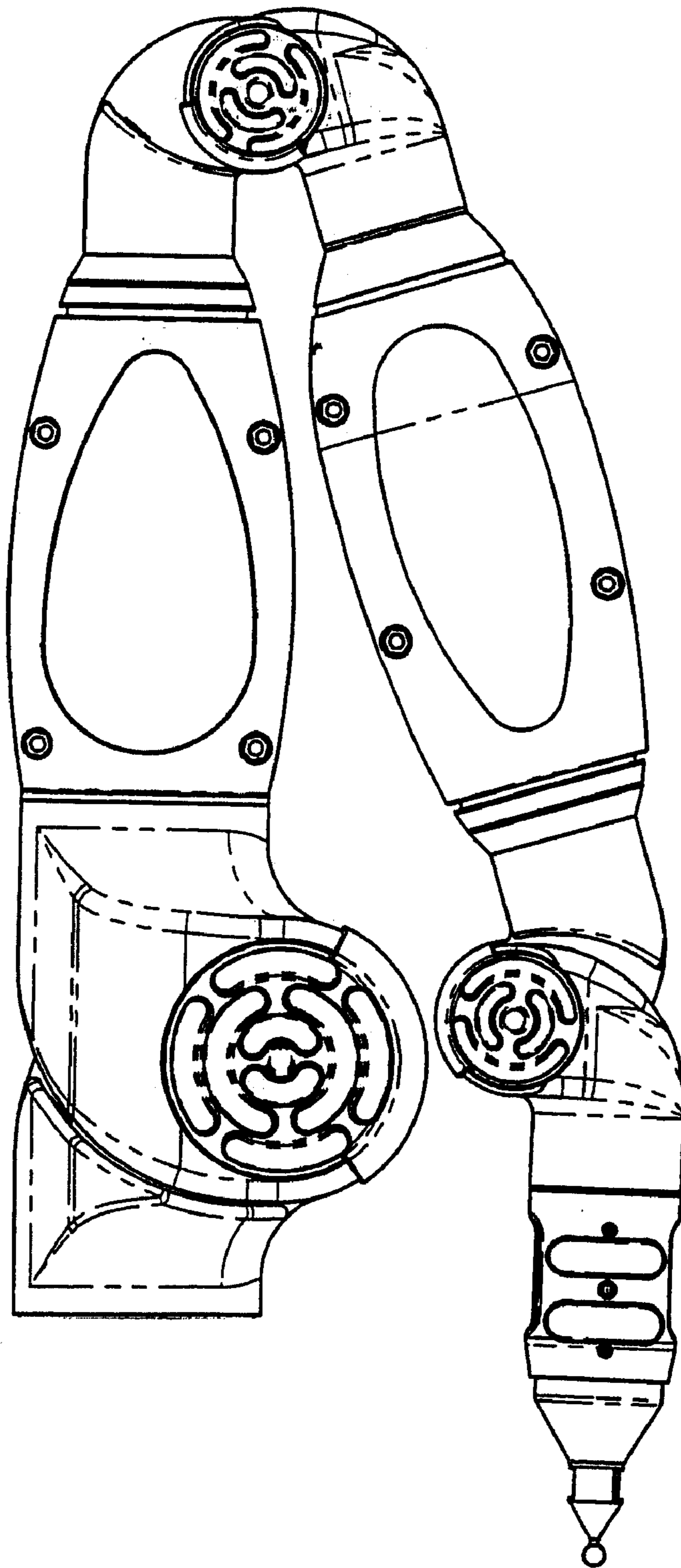


FIG. 16

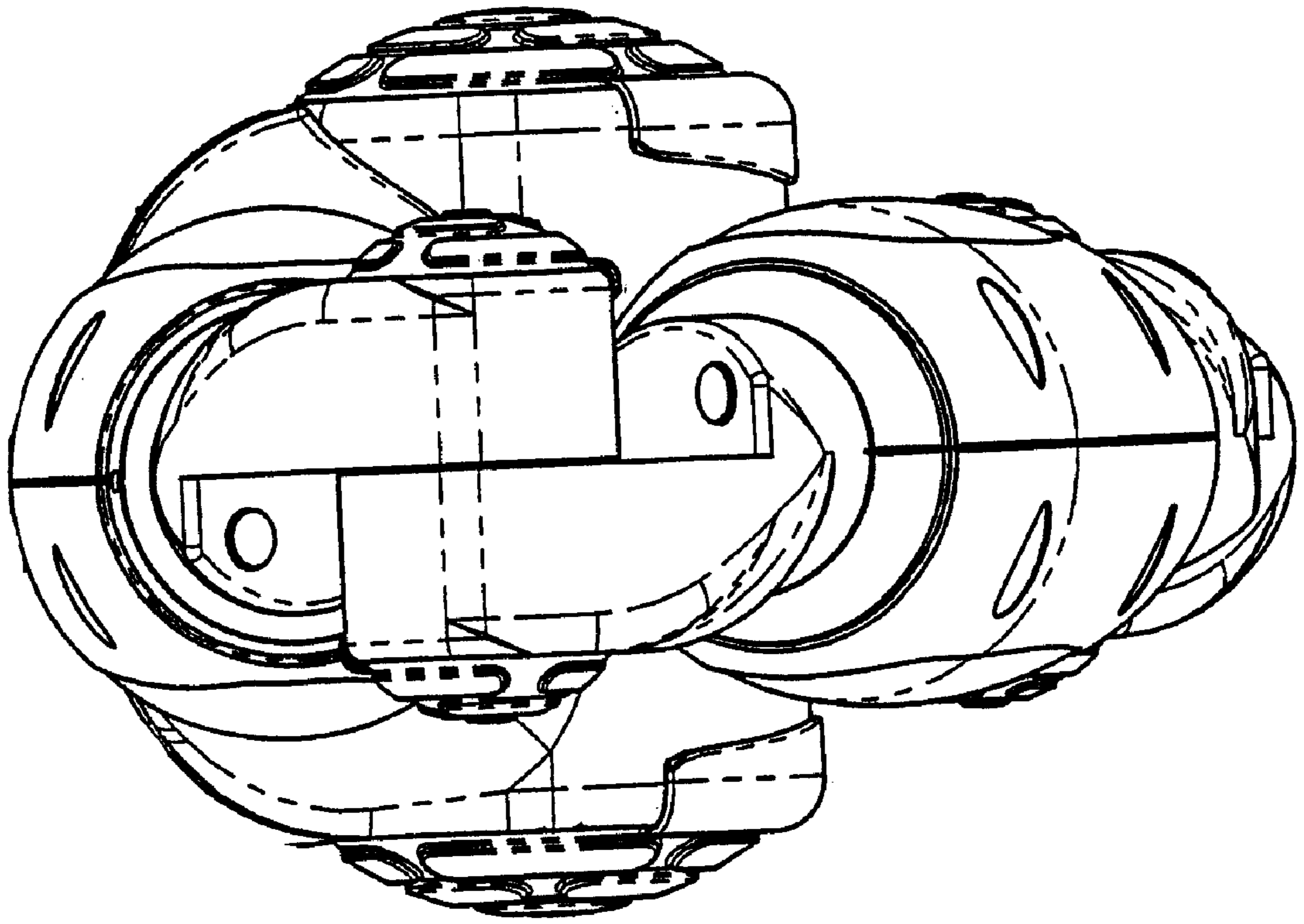


FIG. 17

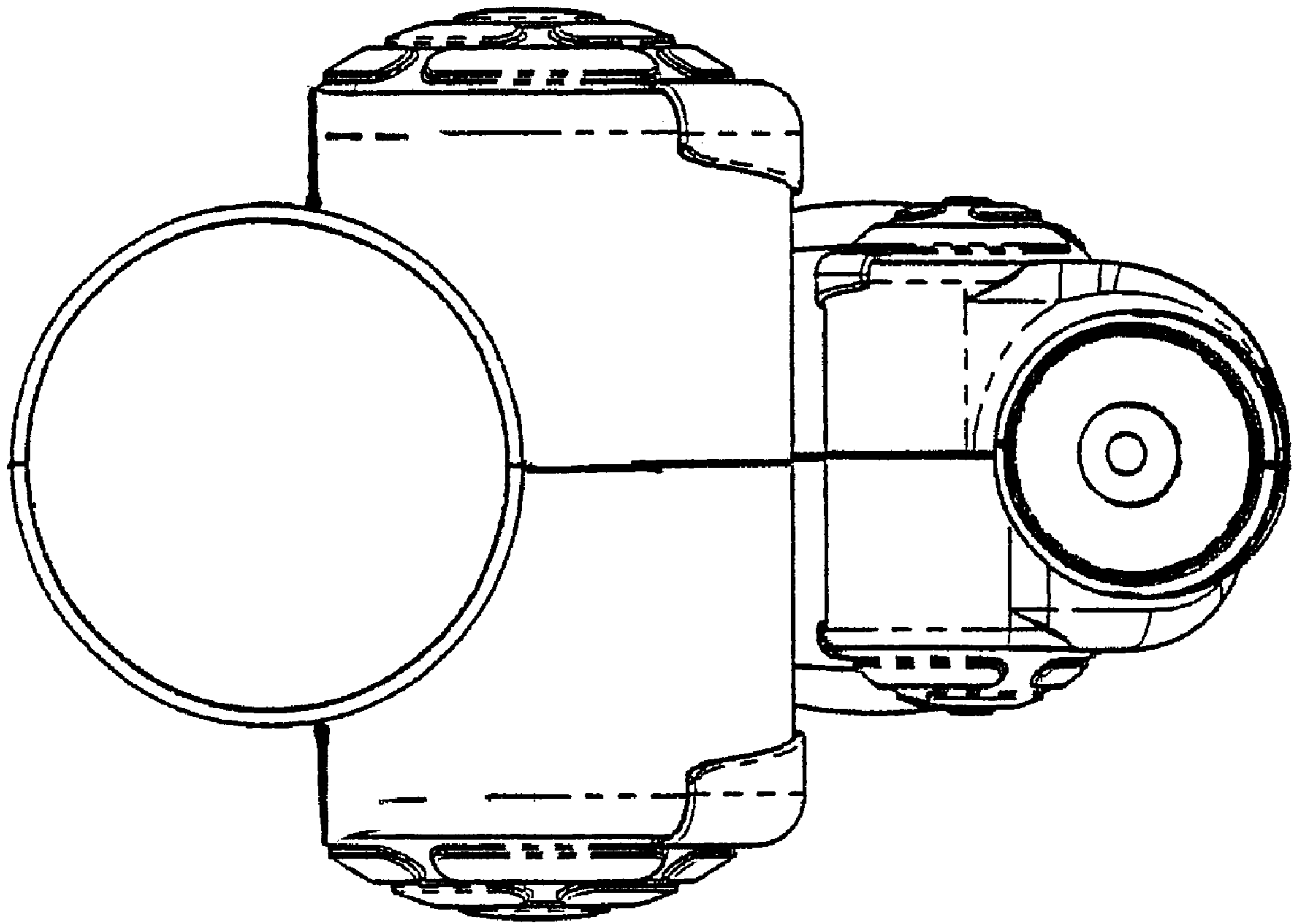


FIG. 18

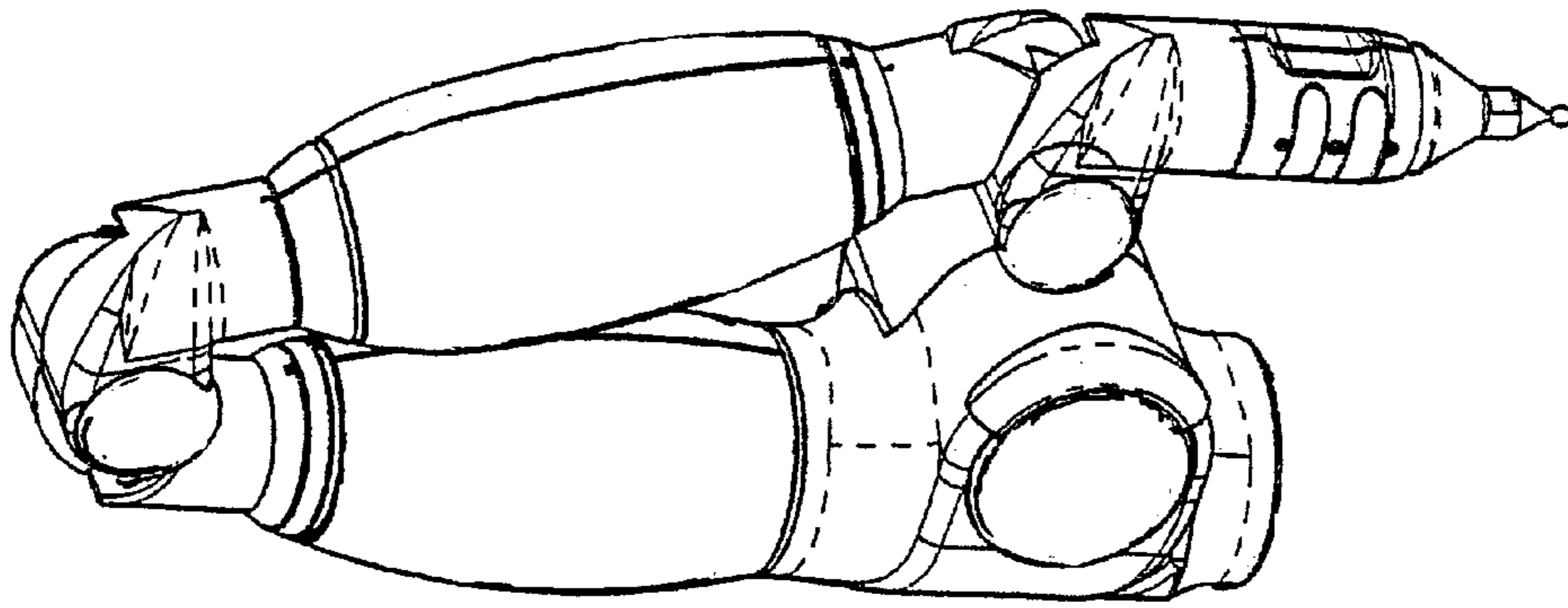


FIG. 19

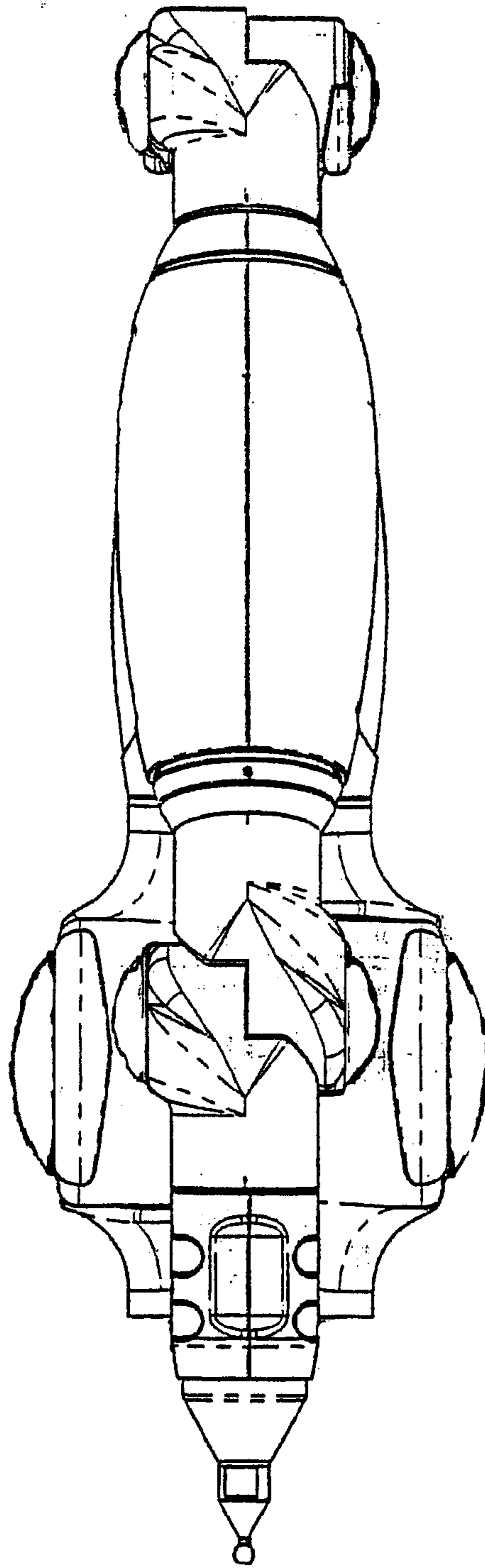


FIG. 20

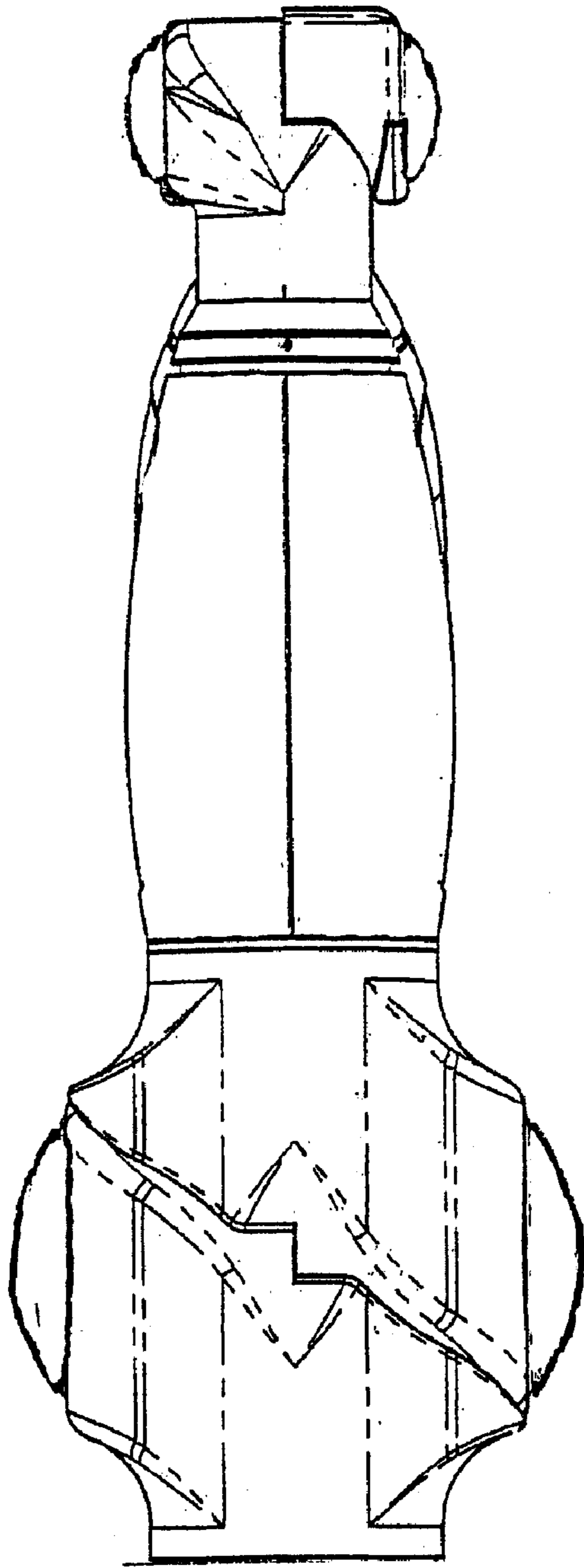


FIG. 21

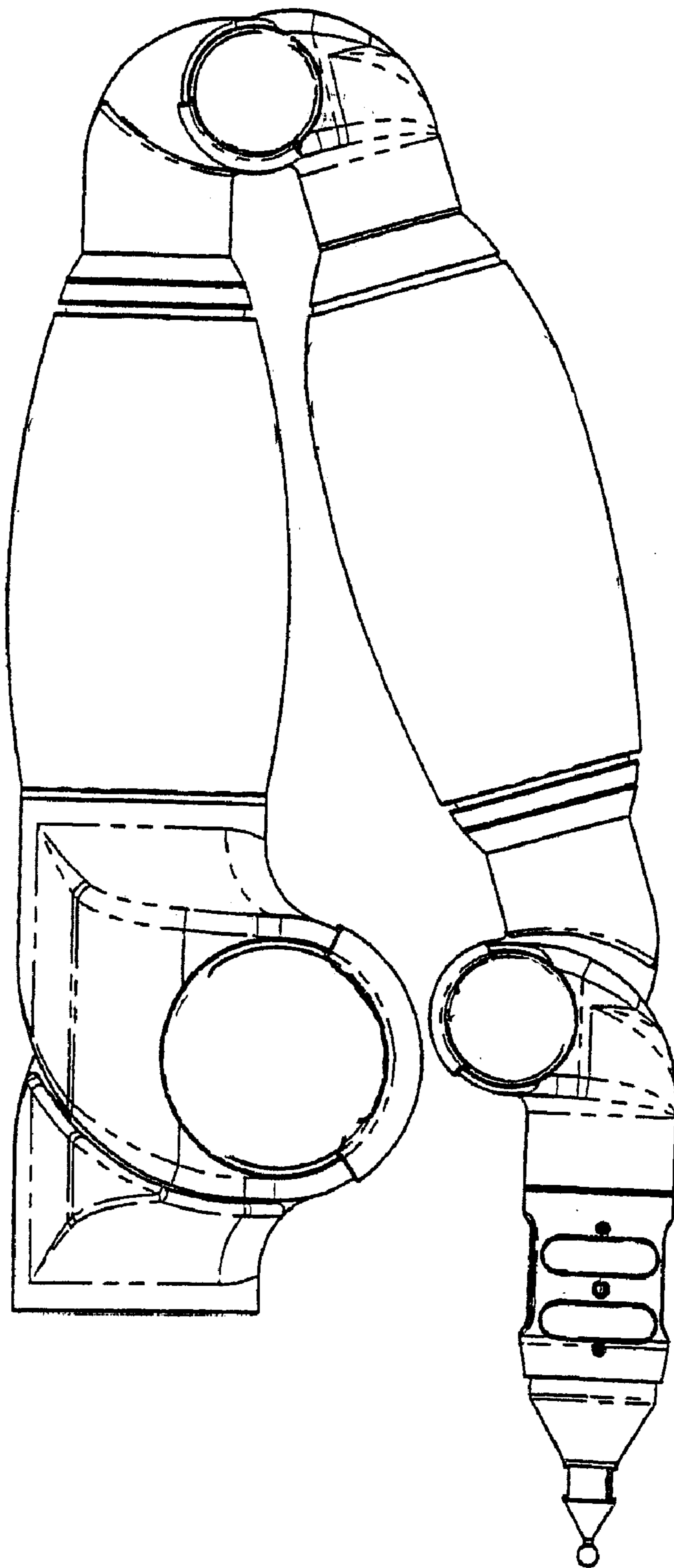


FIG. 22

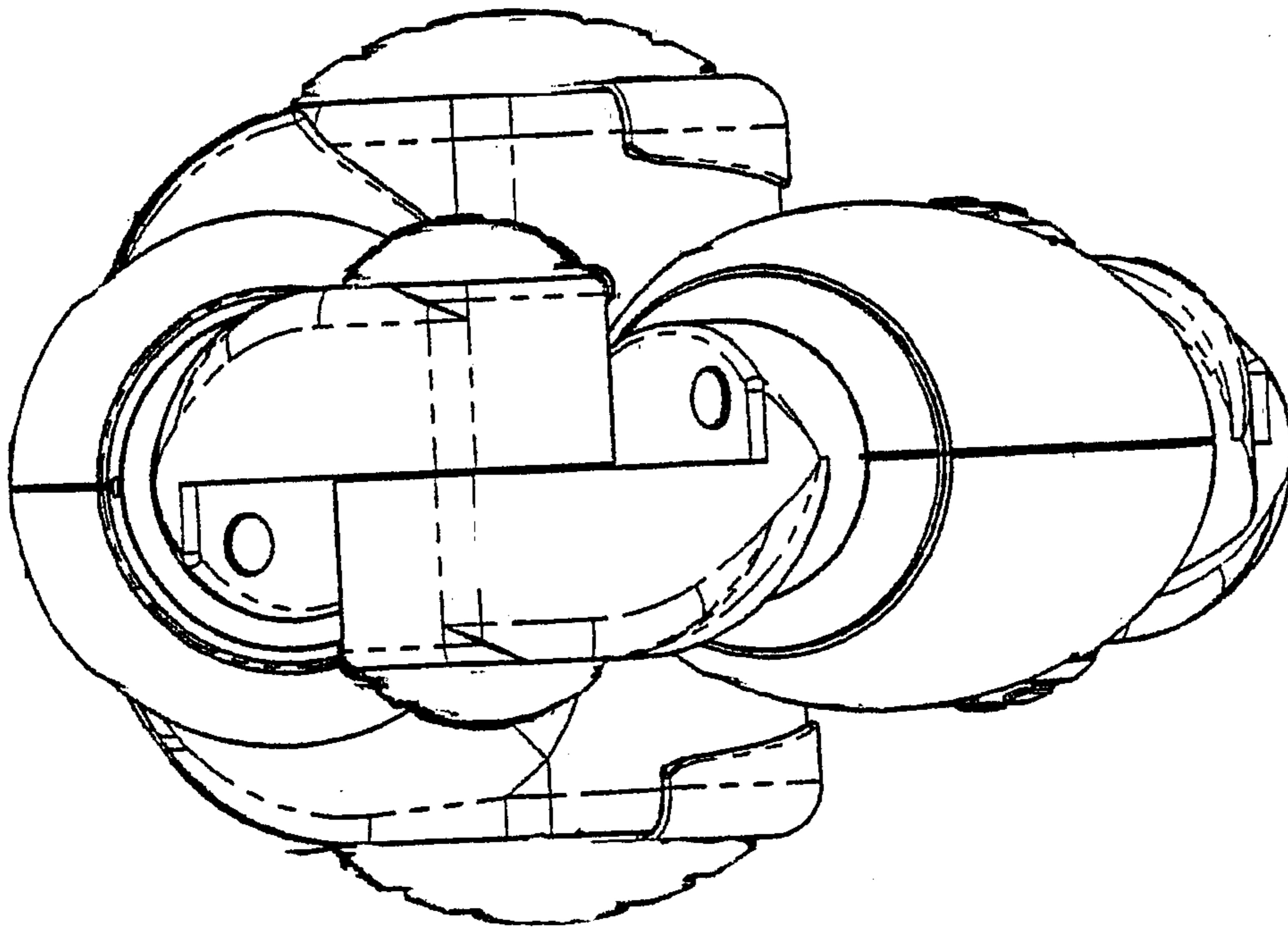


FIG. 23

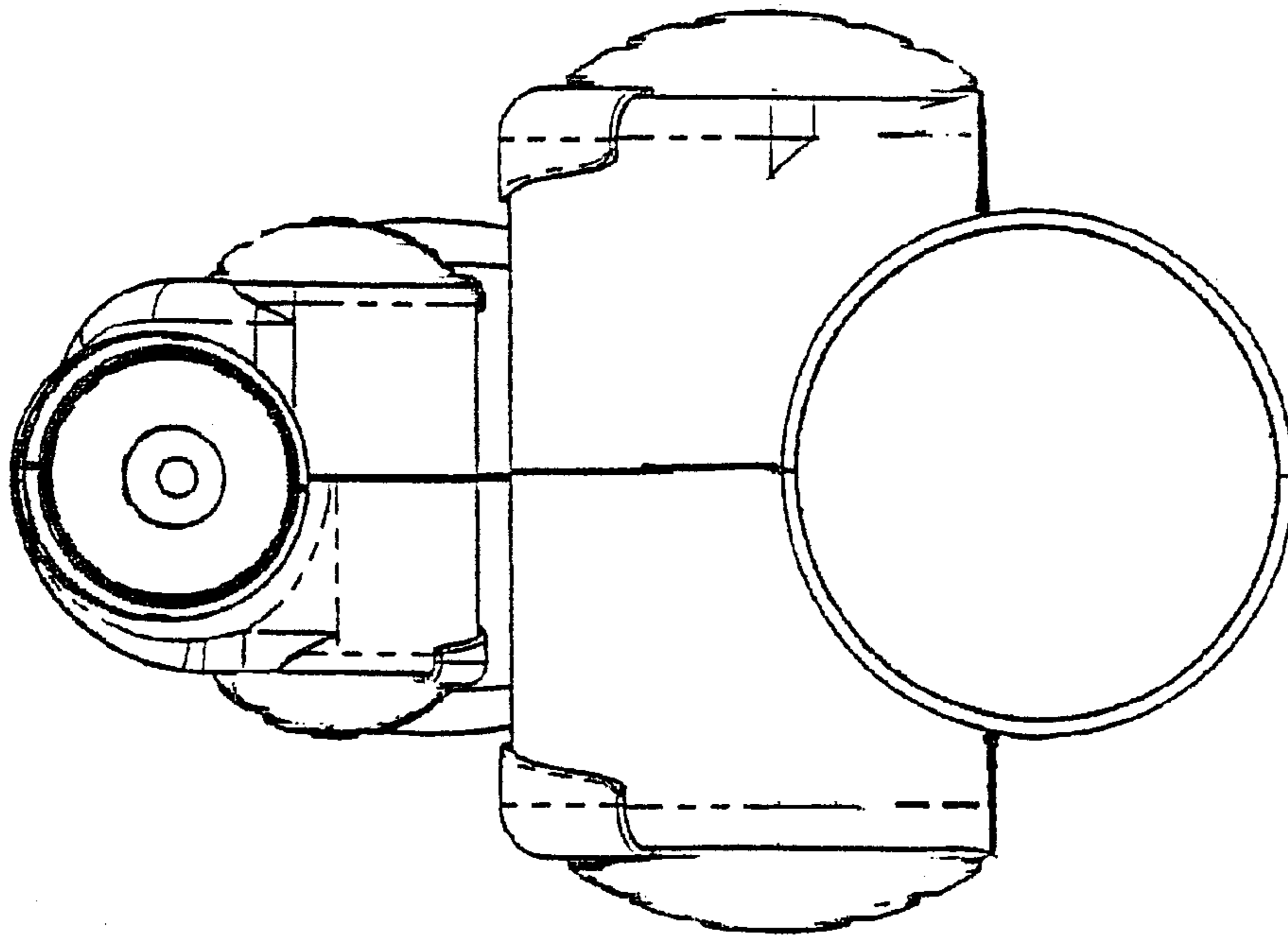


FIG. 29