



US00D491587S

(12) **United States Design Patent**
Clark

(10) **Patent No.: US D491,587 S**

(45) **Date of Patent: ** Jun. 15, 2004**

(54) **MOBILE ROCK CRUSHER HAMMER**

(76) **Inventor: Cedric J. Clark, 827 Meadowhurst Dr.,
St. Maries, ID (US) 83861**

(**) **Term: 14 Years**

(21) **Appl. No.: 29/180,188**

(22) **Filed: Apr. 21, 2003**

(51) **LOC (7) Cl. 15-09**

(52) **U.S. Cl. D15/139**

(58) **Field of Search D15/138, 139;
241/275, 300, 301, 295, 297**

(56) **References Cited**

U.S. PATENT DOCUMENTS

4,355,769	A	*	10/1982	Warren et al.	241/300
D275,760	S	*	10/1984	Cochran	D15/139
4,784,339	A	*	11/1988	Deffenbaugh	241/275
4,787,564	A	*	11/1988	Tucker	241/275
D357,485	S	*	4/1995	Mattsson et al.	D15/139
D362,450	S	*	9/1995	Bajadali	D15/123
D367,865	S	*	3/1996	Bajadali	D15/123

5,695,255 A * 12/1997 LeBlond 299/39.1

5,806,774 A * 9/1998 Vis 241/275

5,899,535 A * 5/1999 LeBlond 299/39.8

5,921,484 A * 7/1999 Smith et al. 241/275

6,601,789 B1 * 8/2003 Bajadali et al. 241/301

* cited by examiner

Primary Examiner—Philip S. Hyder

(74) *Attorney, Agent, or Firm*—Keith S. Bergman

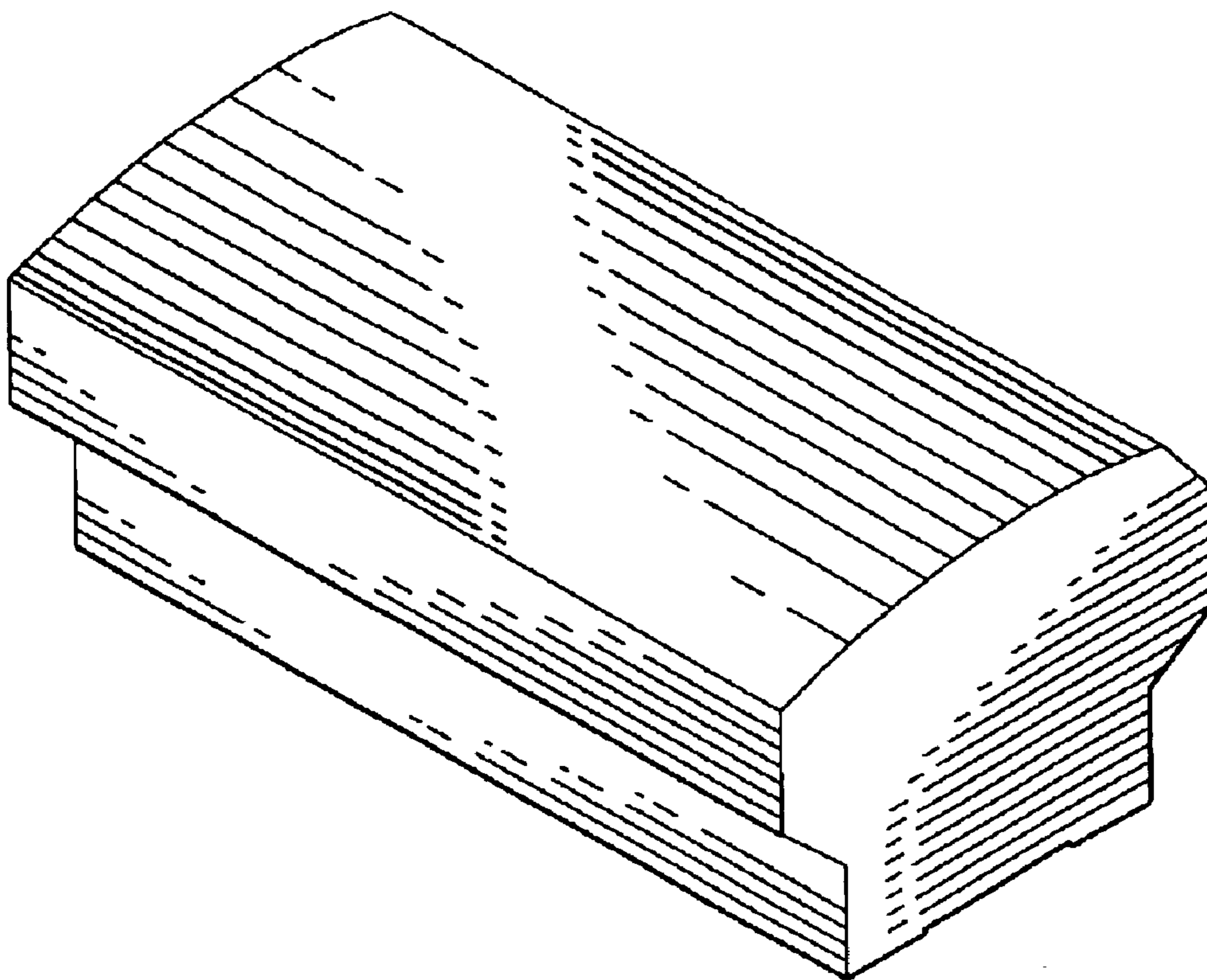
(57) **CLAIM**

The ornamental design for a mobile rock crusher hammer, shown and described.

DESCRIPTION

FIG. 1 is an isometric view of the mobile rock crusher hammer showing my design;
FIG. 2 is a left end view thereof;
FIG. 3 is a right end view thereof;
FIG. 4 is a top view thereof;
FIG. 5 is a bottom view thereof;
FIG. 6 is a back view thereof; and,
FIG. 7 is a front view thereof.

1 Claim, 2 Drawing Sheets



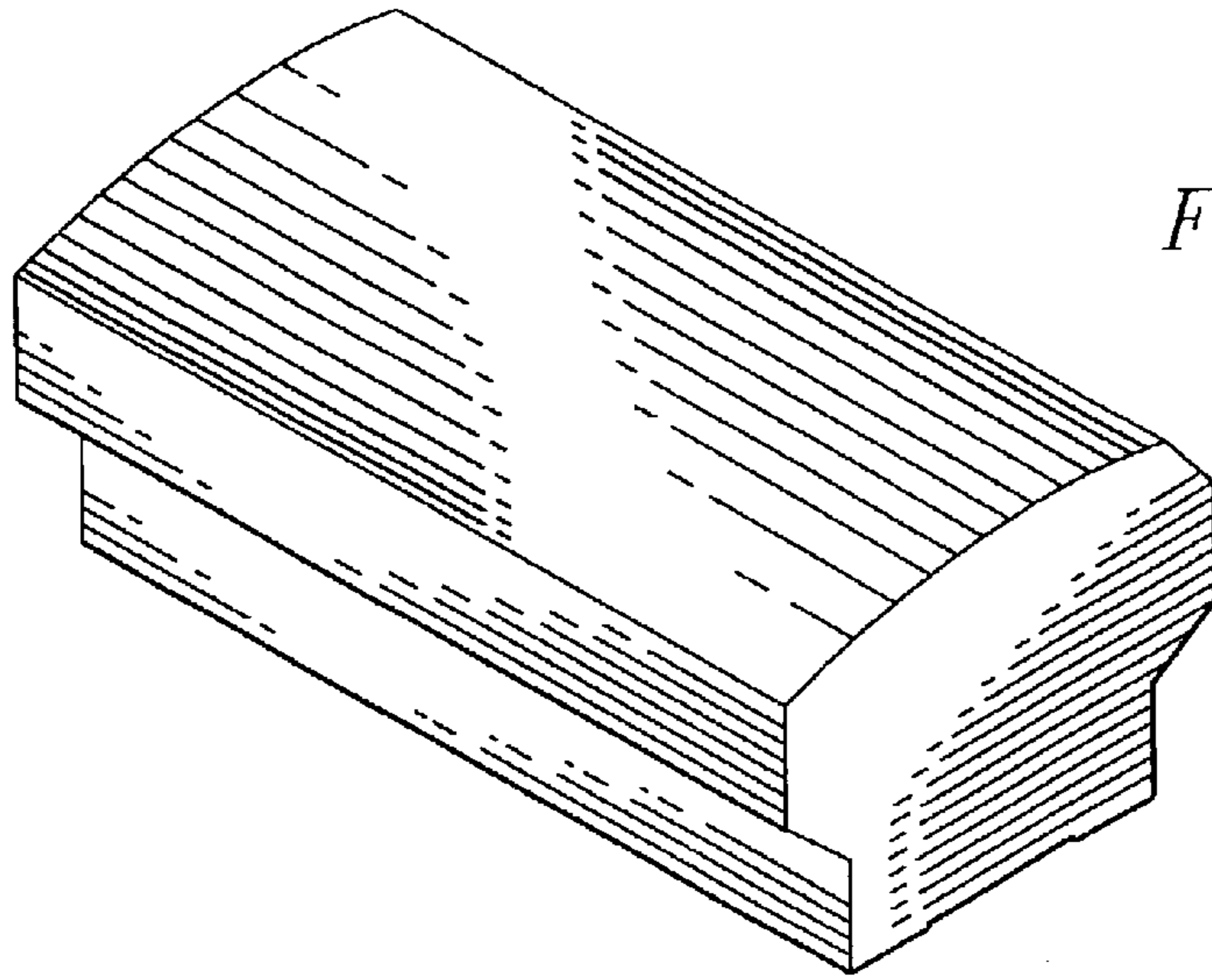


FIG. 1

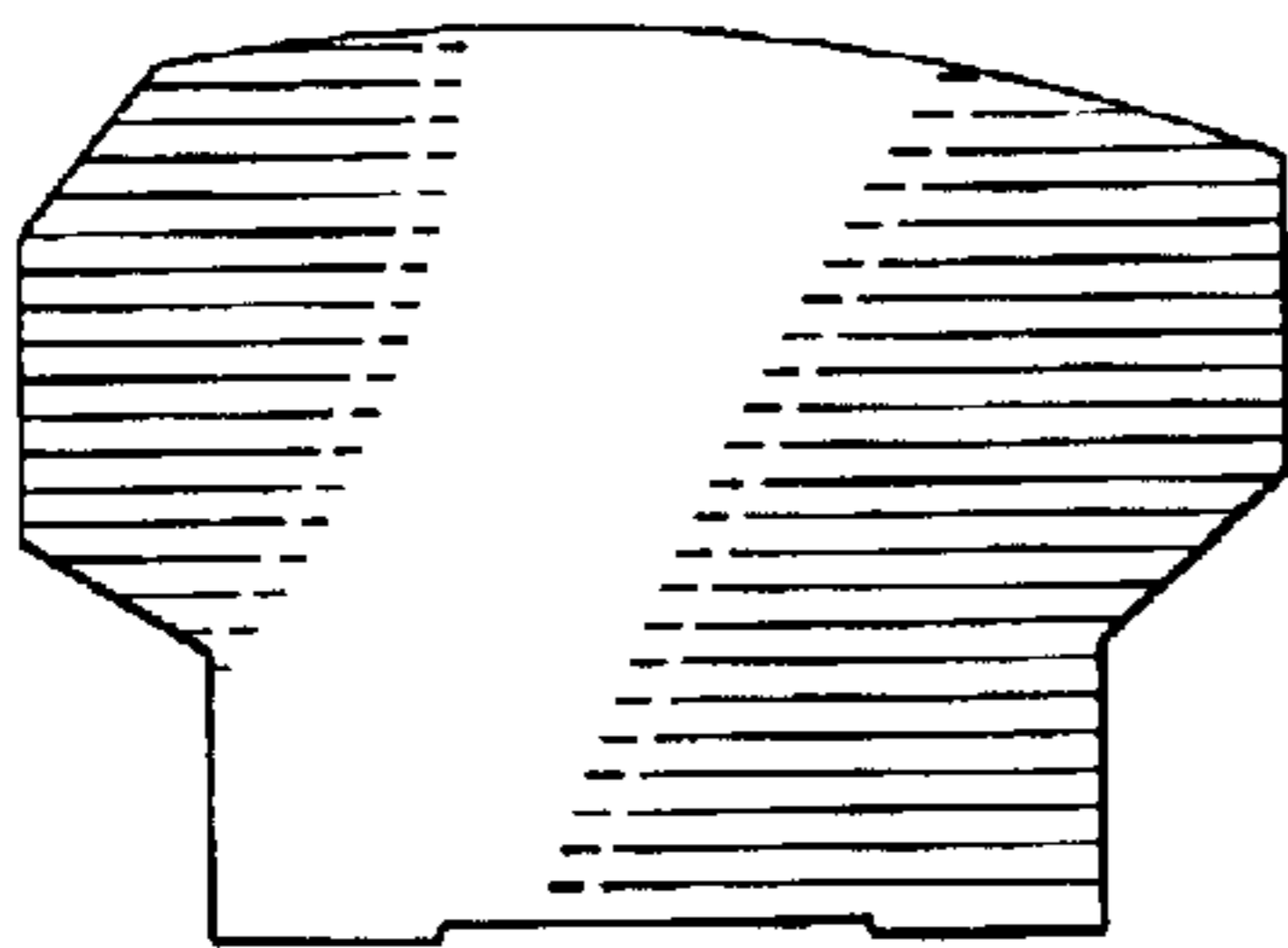


FIG. 2

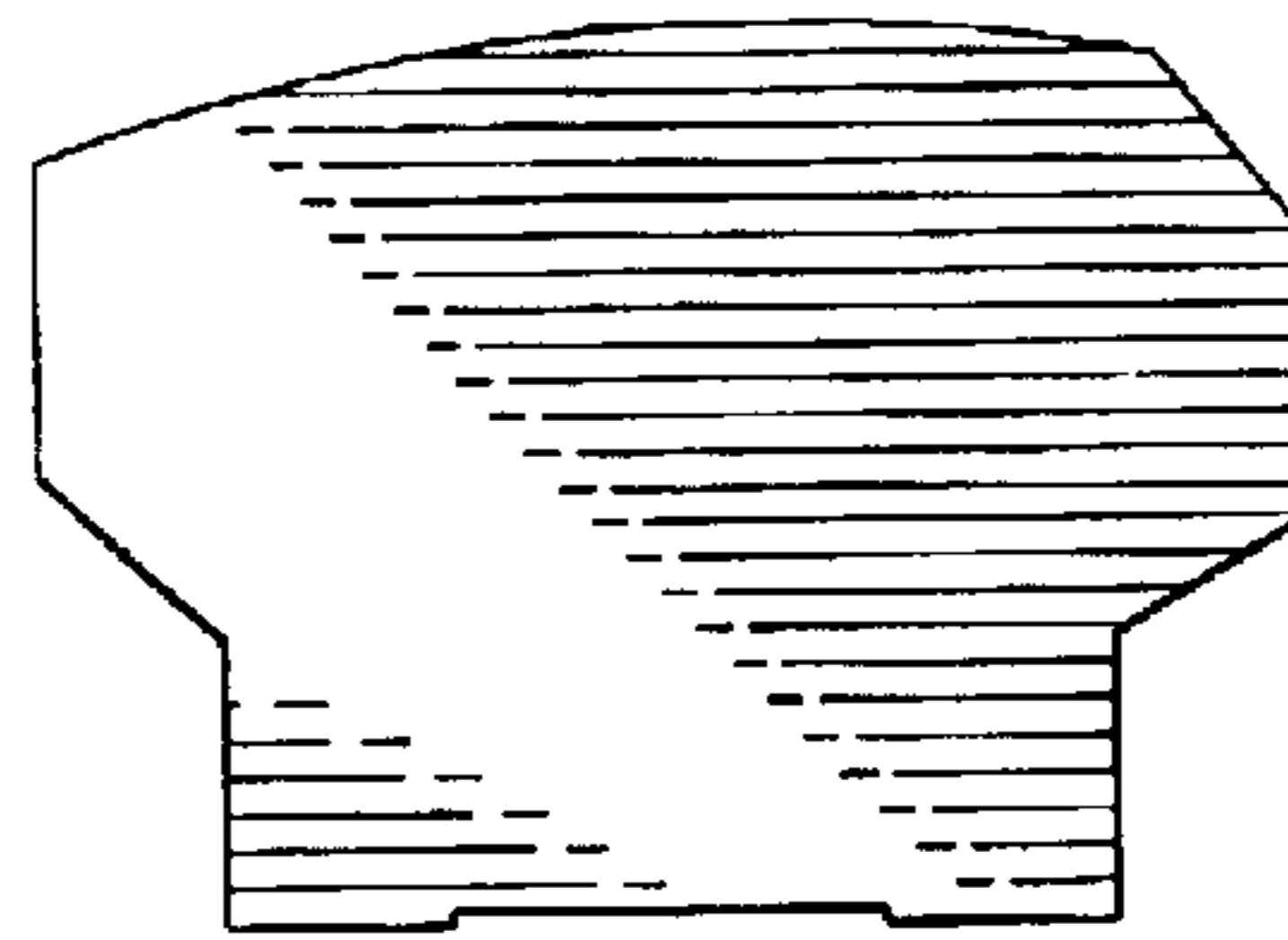


FIG. 3

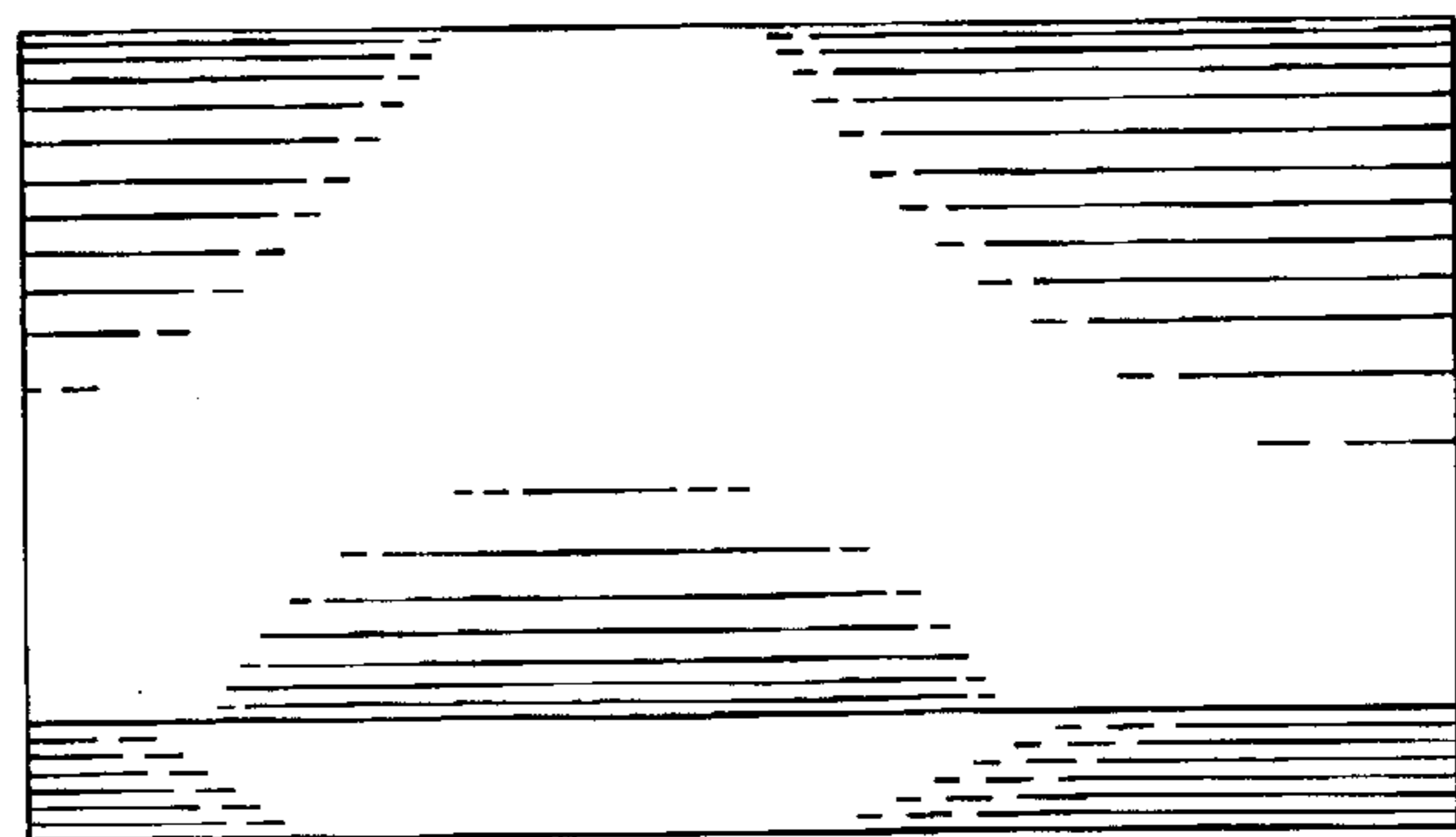


FIG. 4

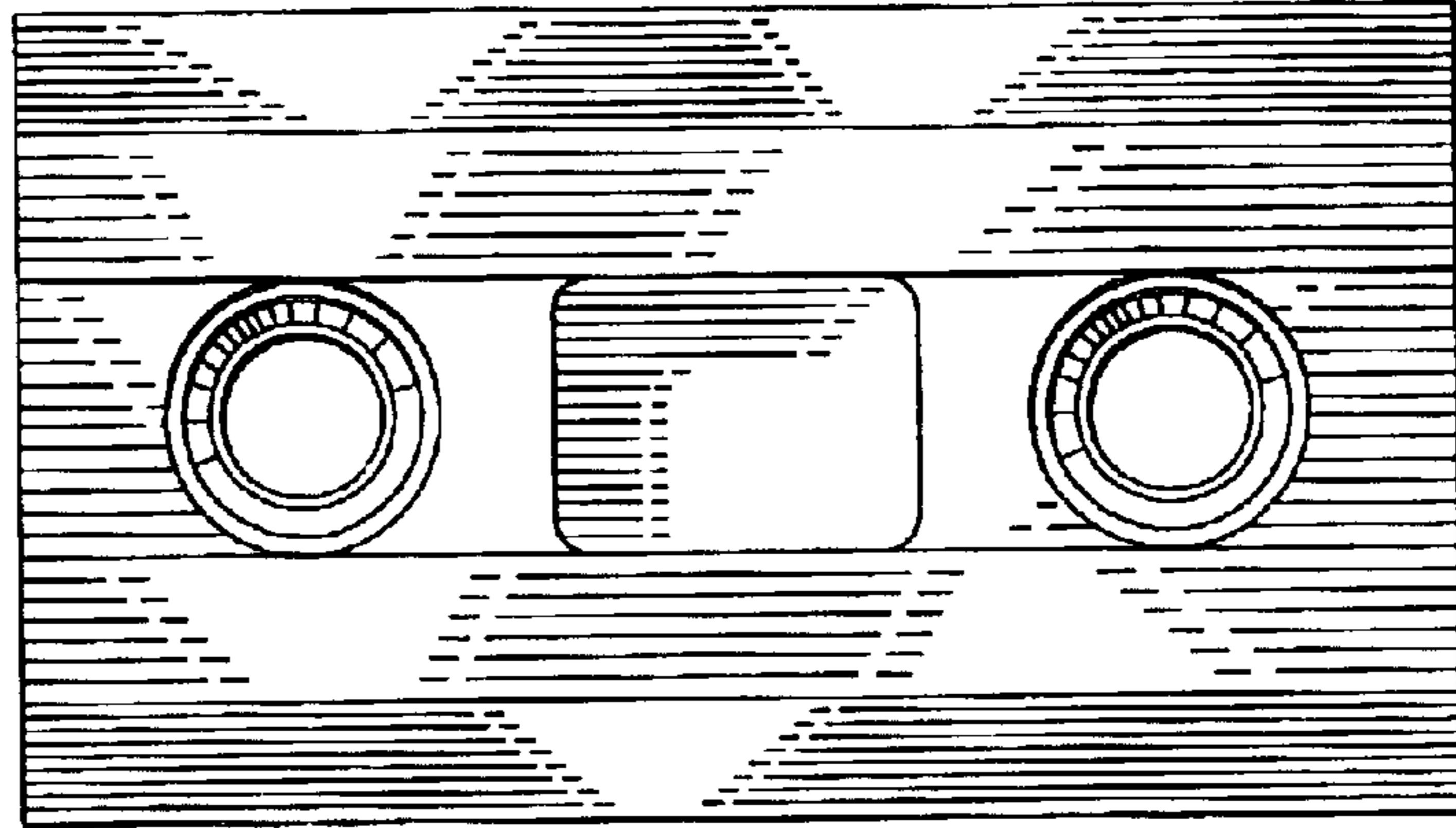


FIG. 5

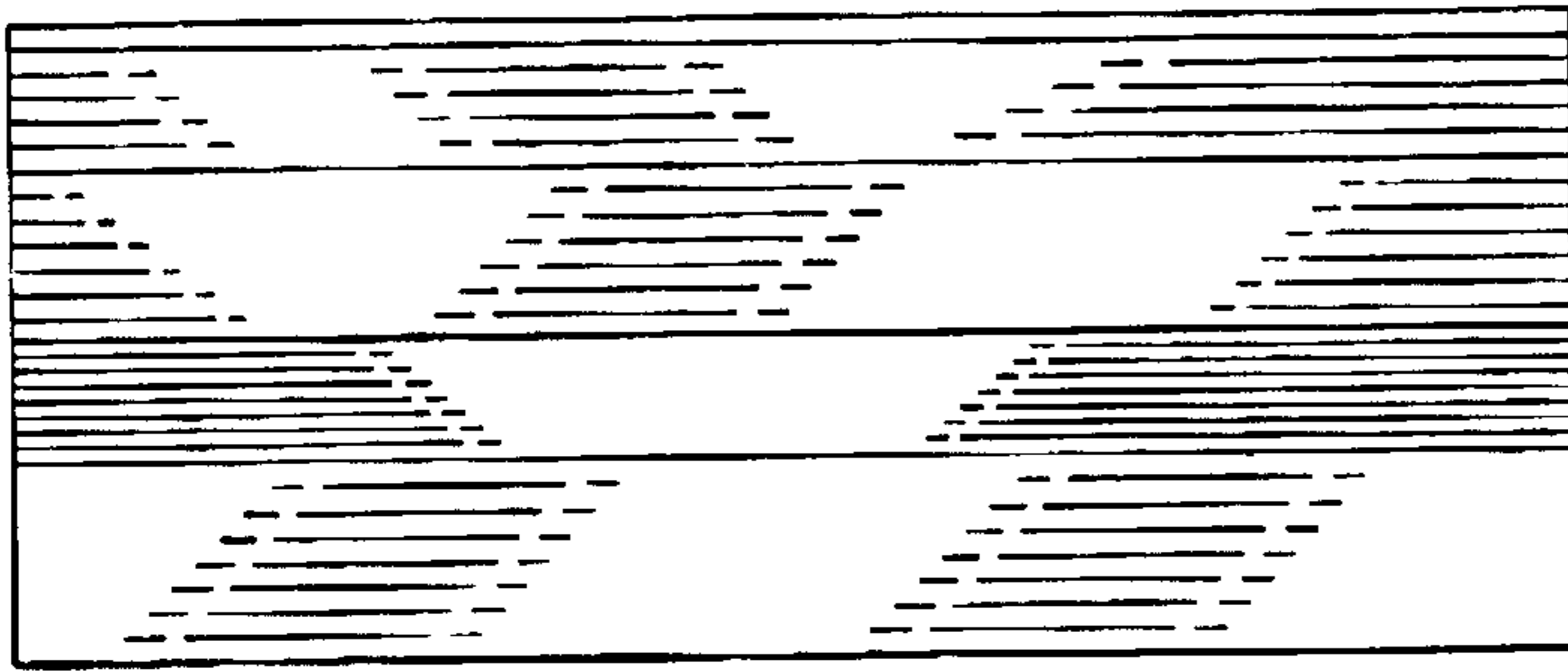


FIG. 6

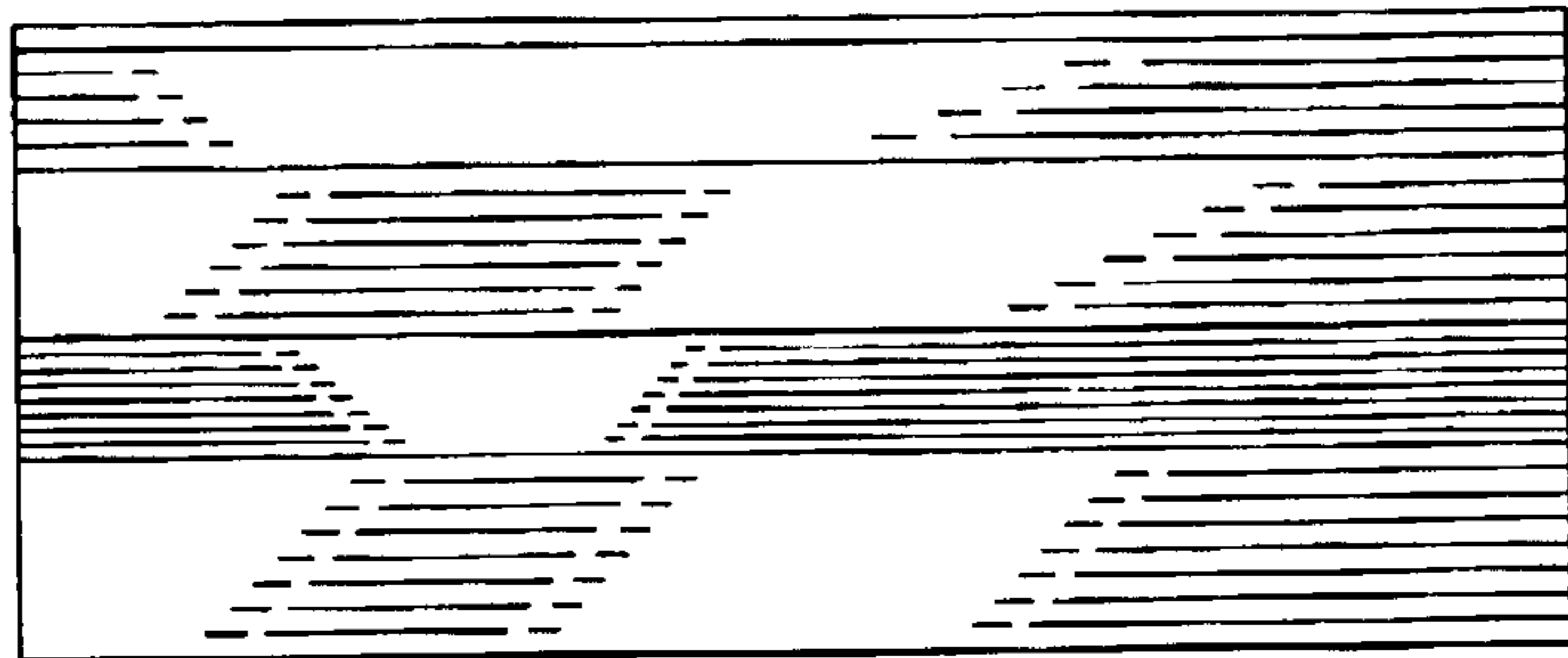


FIG. 7