



US00D491577S

(12) **United States Design Patent**  
**Akimoto et al.**

(10) **Patent No.:** **US D491,577 S**

(45) **Date of Patent:** **\*\* Jun. 15, 2004**

(54) **WASHER PUMP**

(75) Inventors: **Shin Akimoto, Yokohama (JP);**  
**Daisuke Tanaka, Yokohama (JP)**

(73) Assignee: **Jidosha Denki Kogyo Co., Ltd.,**  
**Yokohama (JP)**

(\*\*) Term: **14 Years**

(21) Appl. No.: **29/177,106**

(22) Filed: **Mar. 5, 2003**

(30) **Foreign Application Priority Data**

Sep. 6, 2002 (JP) ..... 2002-024217

(51) **LOC (7) Cl.** ..... **15-02**

(52) **U.S. Cl.** ..... **D15/7**

(58) **Field of Search** ..... D15/7-9; 310/239,  
310/71; 417/360, 363, 349, 375

(56) **References Cited**

**U.S. PATENT DOCUMENTS**

- D229,235 S \* 11/1973 Bunch ..... D15/7
- D252,811 S \* 9/1979 Arakawa ..... D15/7
- D258,210 S \* 2/1981 Shure ..... D15/7

- D283,424 S \* 4/1986 Sloan ..... D15/7
- 5,080,554 A 1/1992 Kamimura
- 6,053,708 A 4/2000 Nishikawa
- 6,245,360 B1 7/2001 Sato
- 6,339,272 B1 1/2002 Sato
- 6,445,104 B1 9/2002 Sato
- D464,362 S \* 10/2002 Tsai ..... D15/7
- D471,561 S \* 3/2003 Kohsaka ..... D15/7

\* cited by examiner

*Primary Examiner*—Ralf Seifert

(74) *Attorney, Agent, or Firm*—Sughrue Mion, PLLC

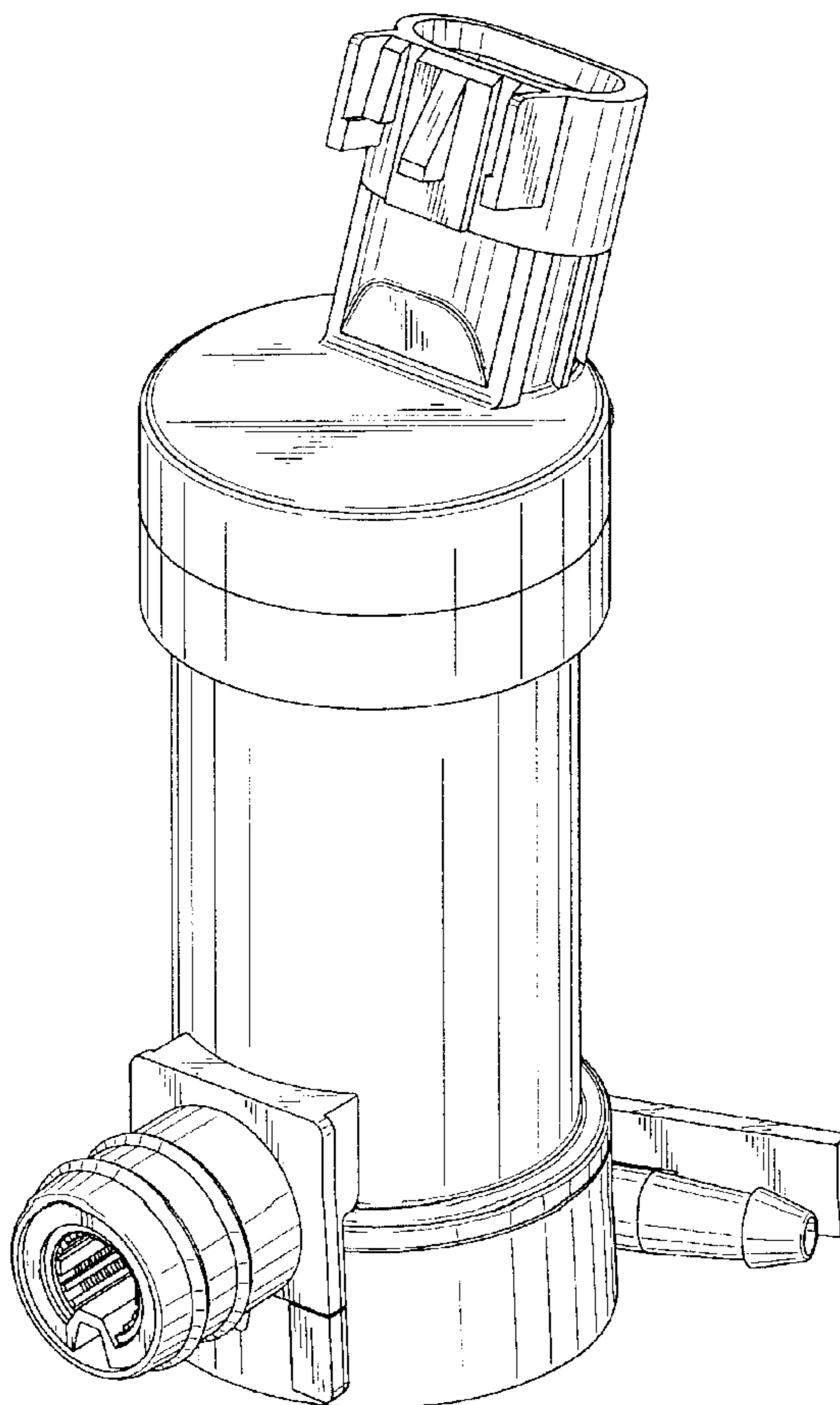
(57) **CLAIM**

The ornamental design for a washer pump, as shown.

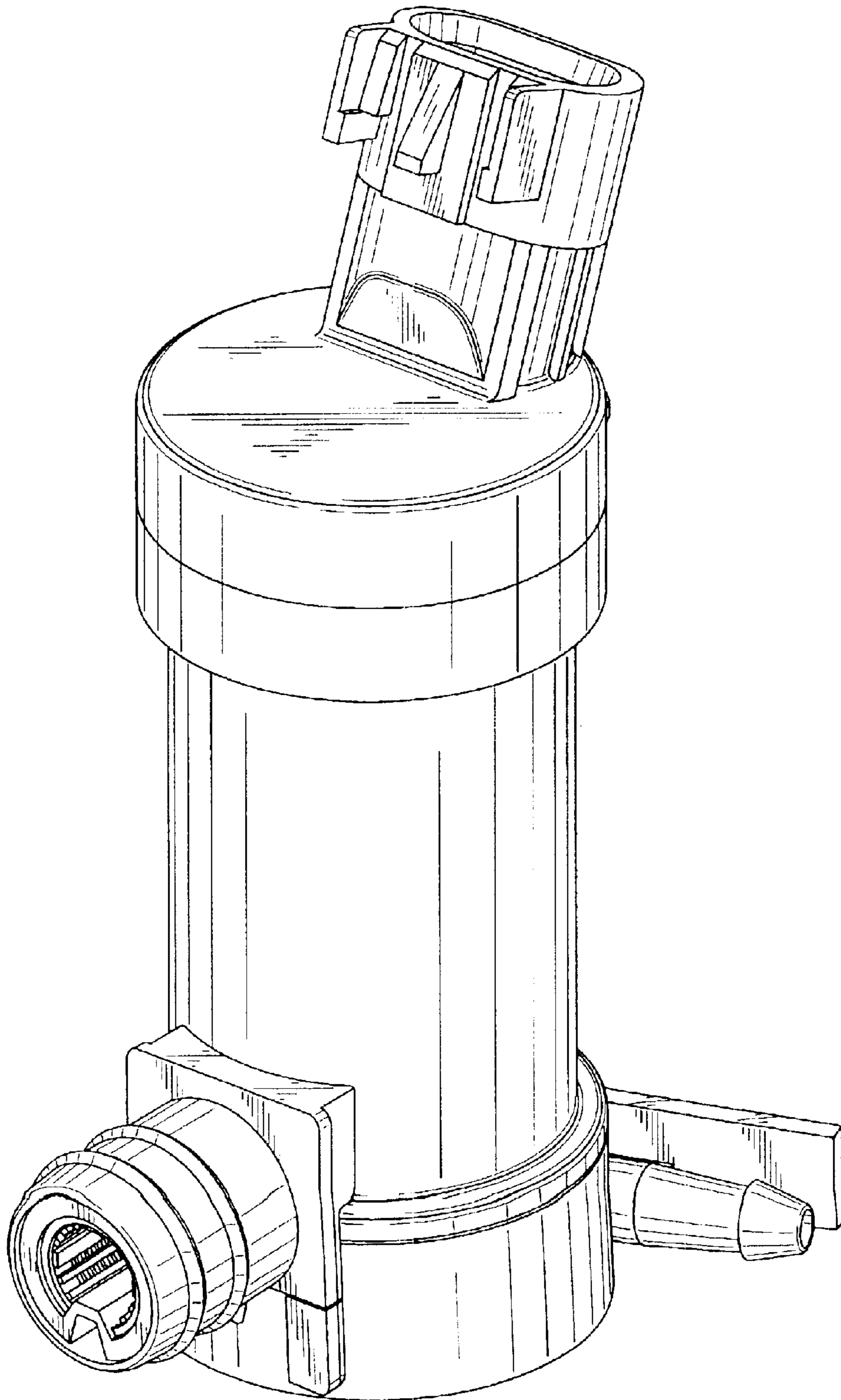
**DESCRIPTION**

FIG. 1 is a perspective view of the top, front and right side of a washer pump showing our new design; FIG. 2 is a front elevational view thereof; FIG. 3 is a rear elevational view thereof; FIG. 4 is a top plan view thereof; FIG. 5 is a bottom plan view thereof; FIG. 6 is a right side elevational view thereof; and, FIG. 7 is a left side elevational view thereof.

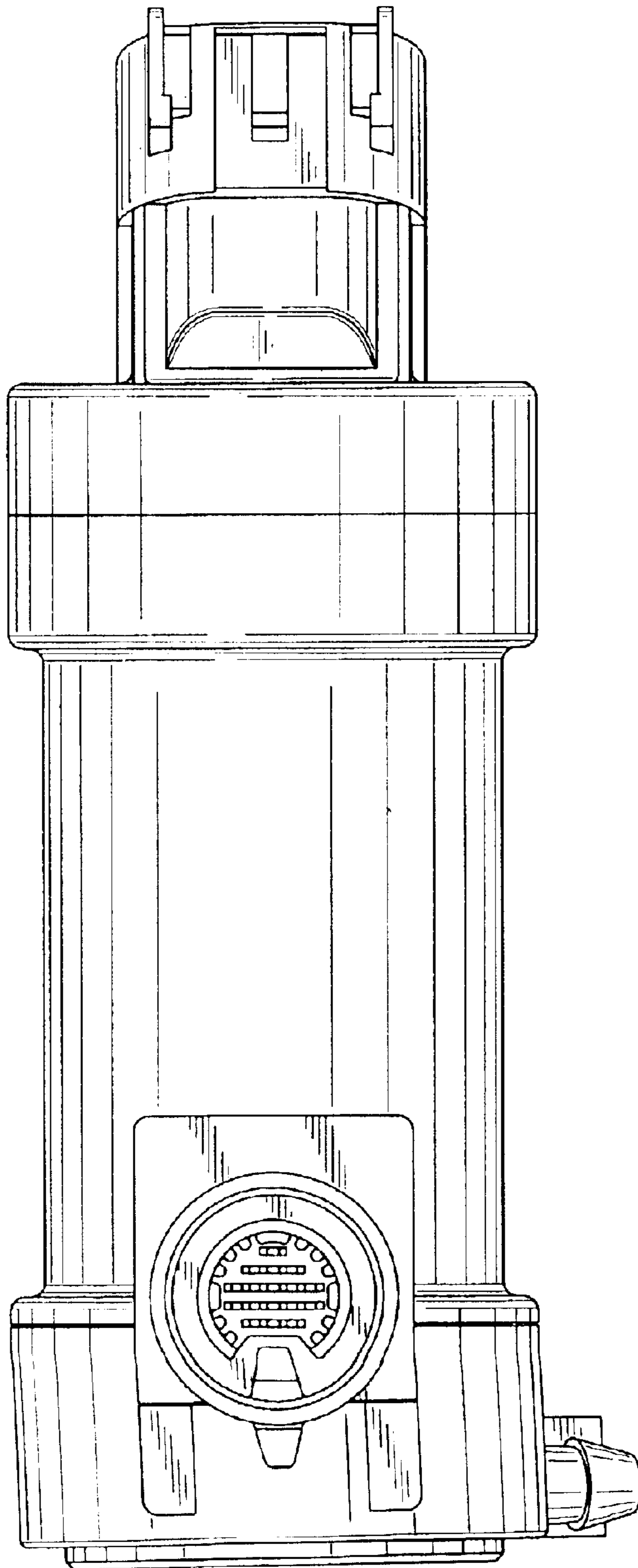
**1 Claim, 6 Drawing Sheets**



*FIG. 1*



*FIG. 2*



*FIG. 3*

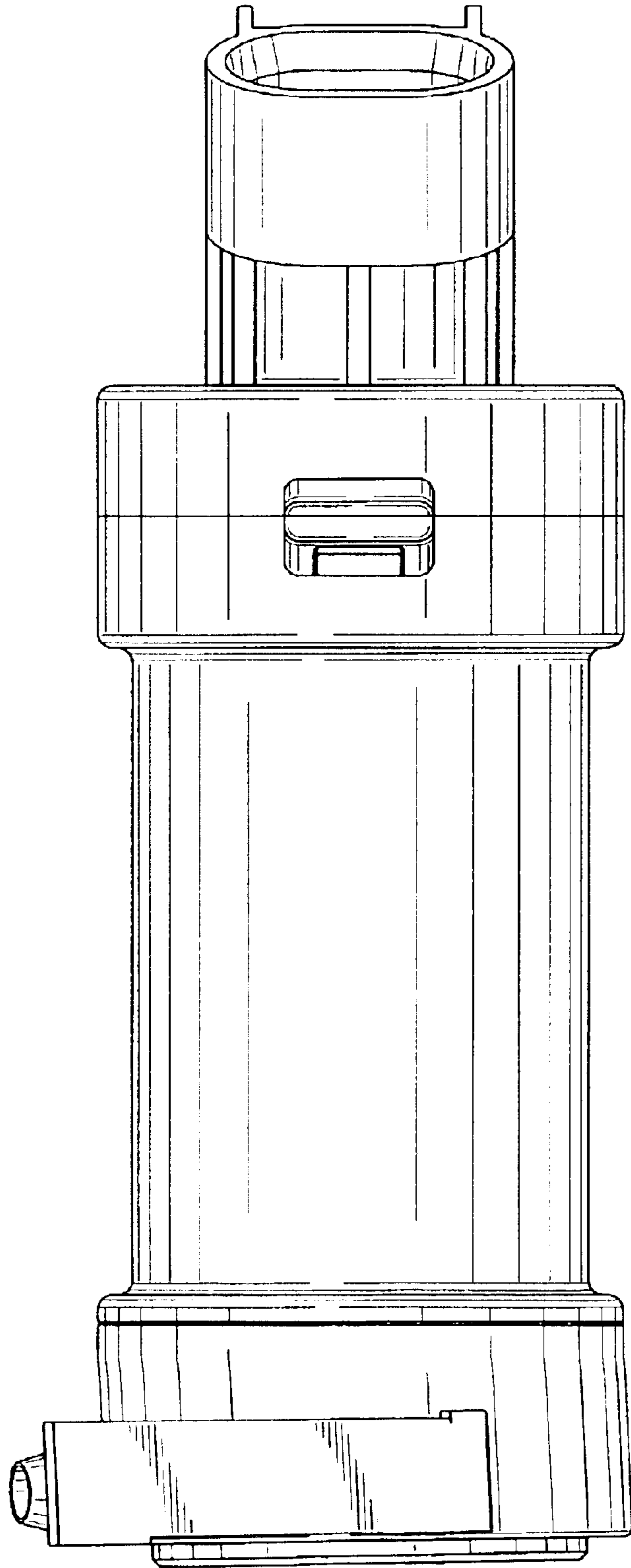


FIG. 5

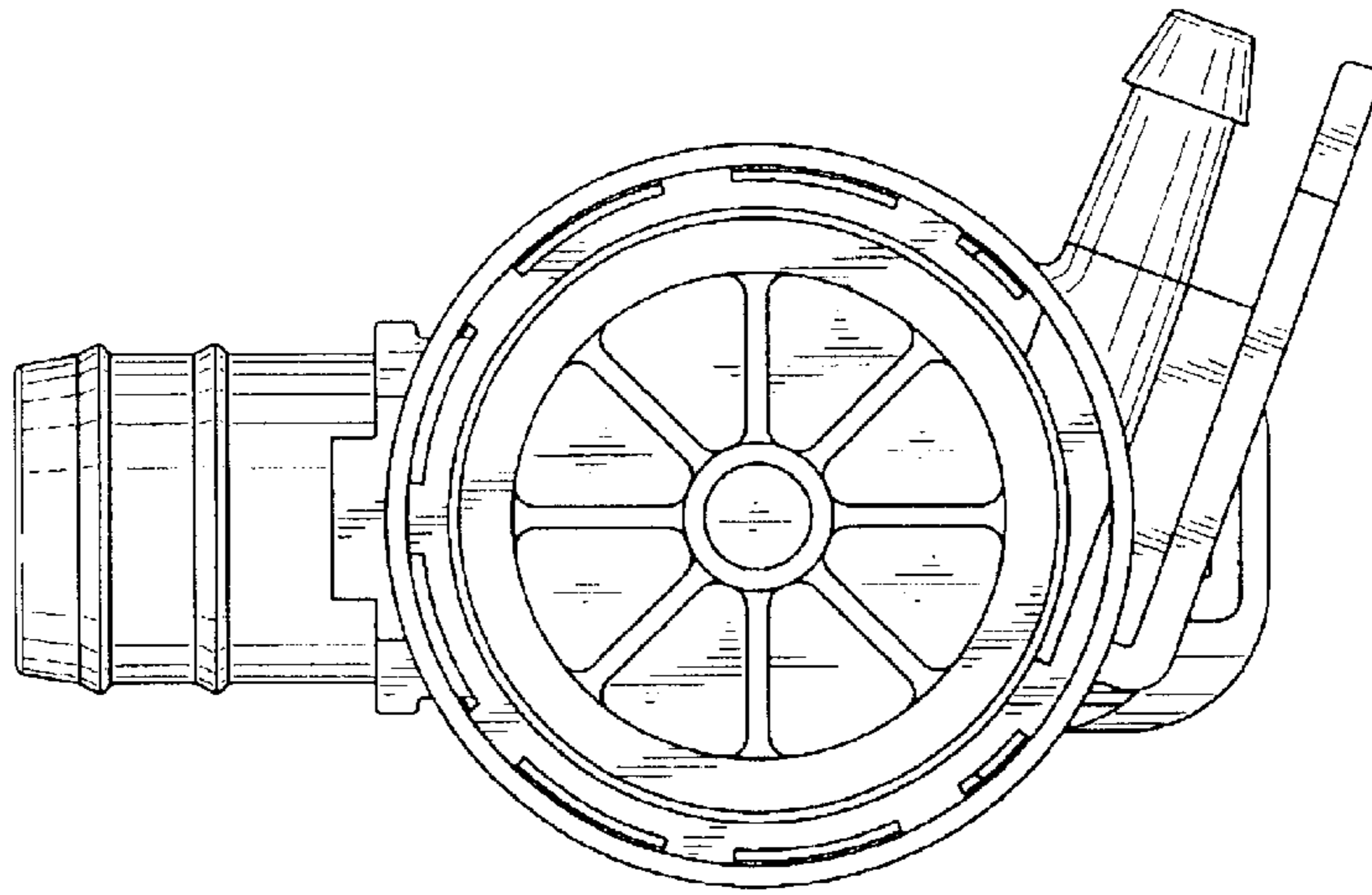
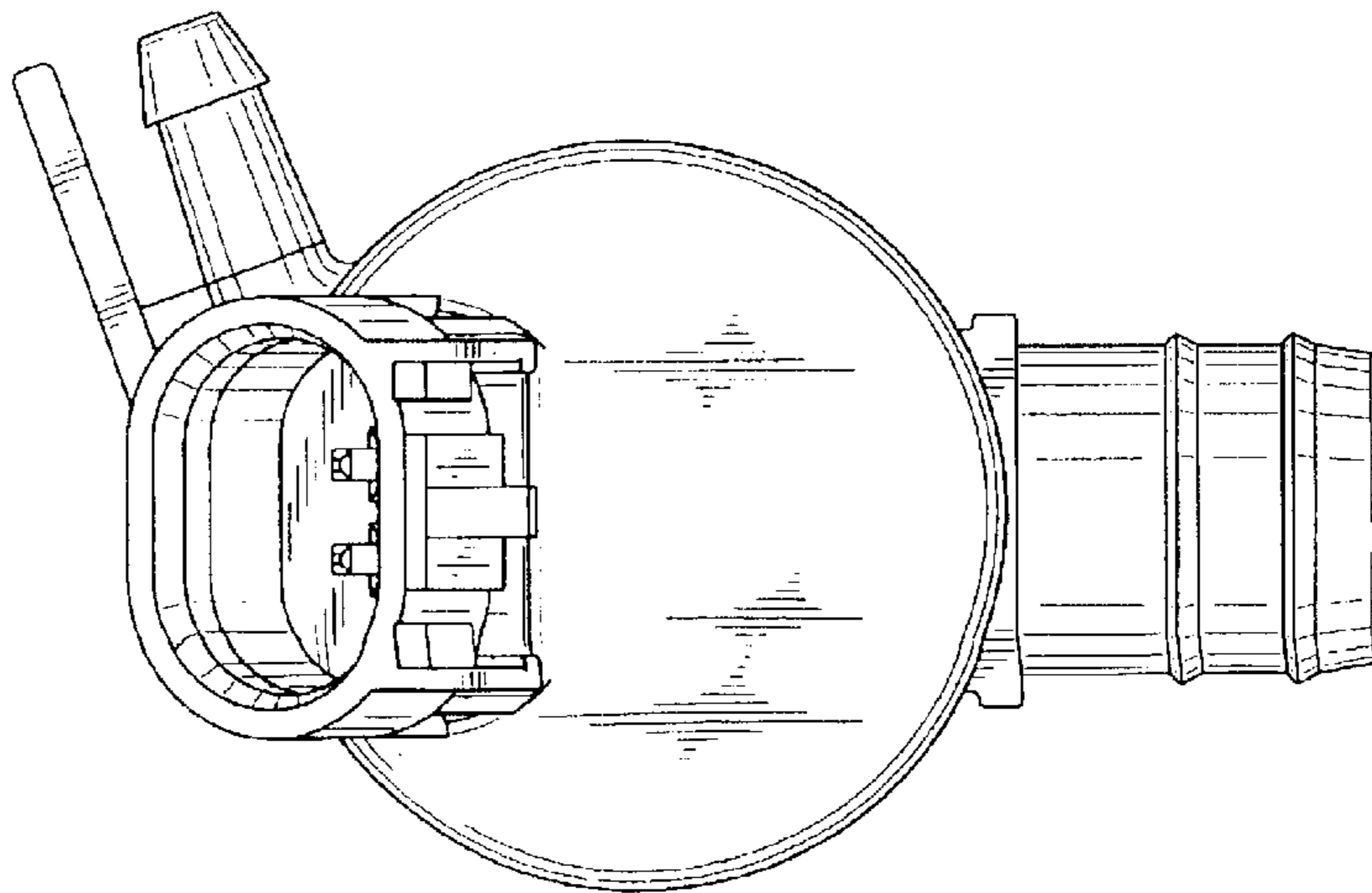
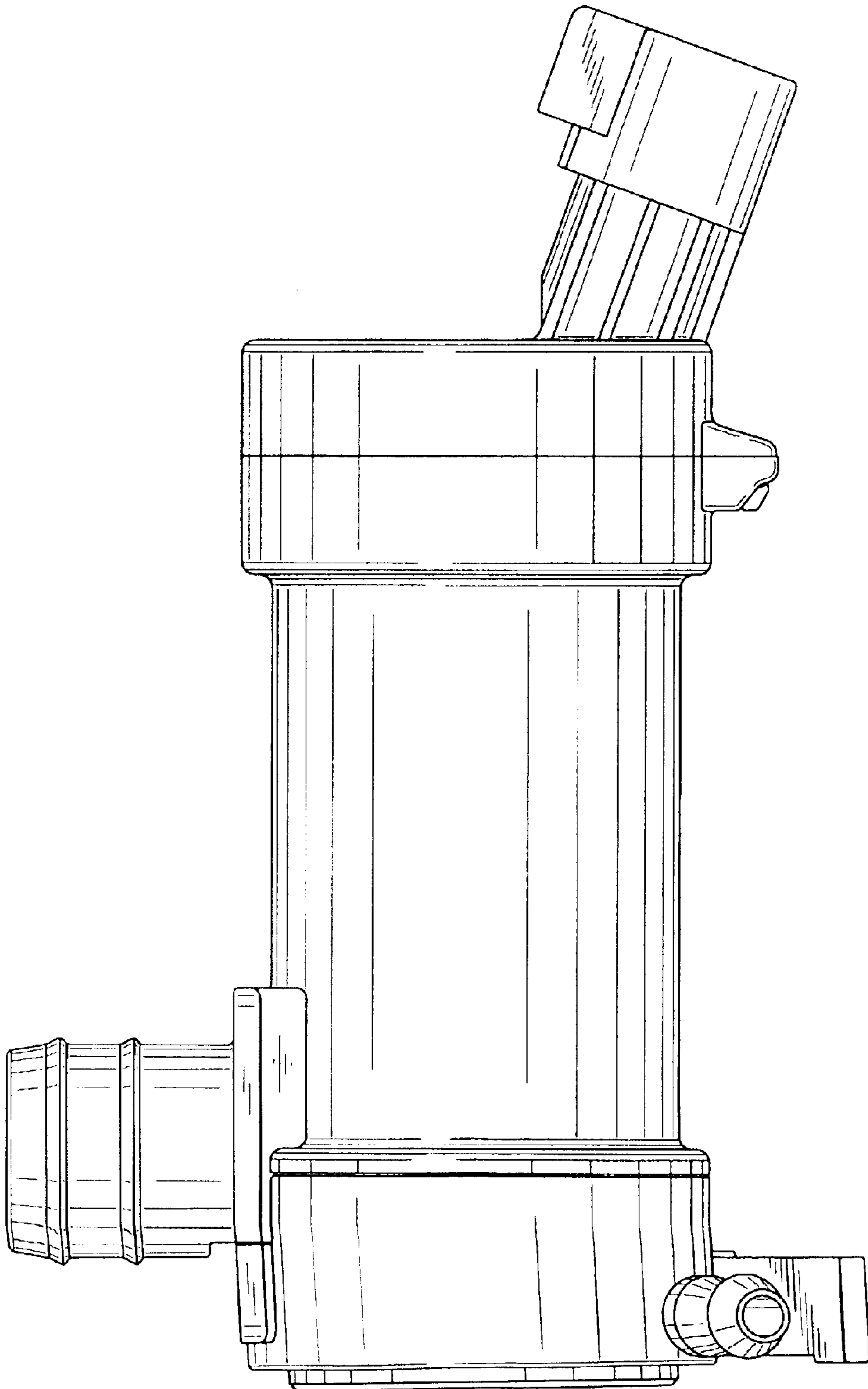


FIG. 4





*FIG. 6*



*FIG. 7*

