



US00D491574S

(12) **United States Design Patent**  
**Hung**

(10) **Patent No.:** **US D491,574 S**

(45) **Date of Patent:** **\*\* Jun. 15, 2004**

(54) **SUPPORT ARM FOR A LIQUID CRYSTAL DISPLAY**

(76) **Inventor:** **Ray Hung**, No. 11-2, Wu-Nan Rd.,  
Wu-Chi Chen, Taichung Hsien (TW)

(\*\*) **Term:** **14 Years**

(21) **Appl. No.:** **29/182,895**

(22) **Filed:** **Jun. 3, 2003**

(51) **LOC (7) Cl.** ..... **14-02**

(52) **U.S. Cl.** ..... **D14/452**

(58) **Field of Search** ..... D14/451, 452,  
D14/374-380, 493; D8/380; 248/286.1,  
276.1, 278.1, 279.1, 917-923

(56) **References Cited**

**U.S. PATENT DOCUMENTS**

- D363,065 S \* 10/1995 Karten et al. .... D14/452
- 5,553,820 A \* 9/1996 Karten et al. .... 248/286.1
- D391,148 S \* 2/1998 Rosen ..... D8/380
- D391,949 S \* 3/1998 Munson ..... D14/493

D435,852 S \* 1/2001 Oddsen, Jr. .... D14/452

\* cited by examiner

*Primary Examiner*—Kay H. Chin

(74) *Attorney, Agent, or Firm*—William E. Pelton, Esq.

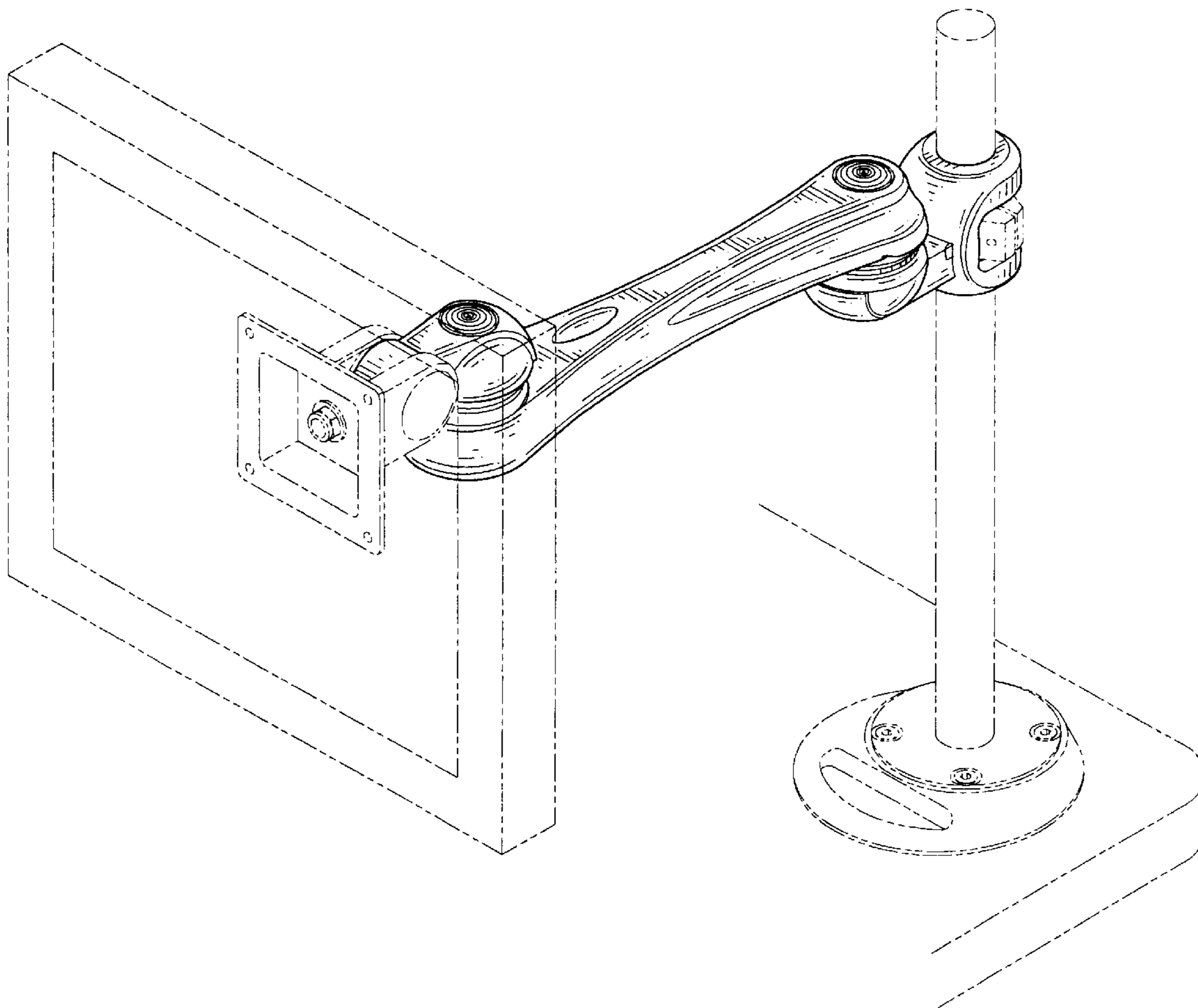
(57) **CLAIM**

The ornamental design for a support arm for a liquid crystal display, as shown and described.

**DESCRIPTION**

FIG. 1 is a perspective view of a support arm for a liquid crystal display, showing my new design;  
 FIG. 2 is a front elevational view thereof;  
 FIG. 3 is a rear elevational view thereof;  
 FIG. 4 is a left elevational view thereof;  
 FIG. 5 is a right elevational view thereof;  
 FIG. 6 is top plan view thereof; and  
 FIG. 7 is a bottom plan view thereof; and,  
 FIG. 8 is a perspective view showing an embodiment of the claimed design, wherein the broken lines are shown for illustrative purposes only and form no part of the claimed design.

**1 Claim, 5 Drawing Sheets**



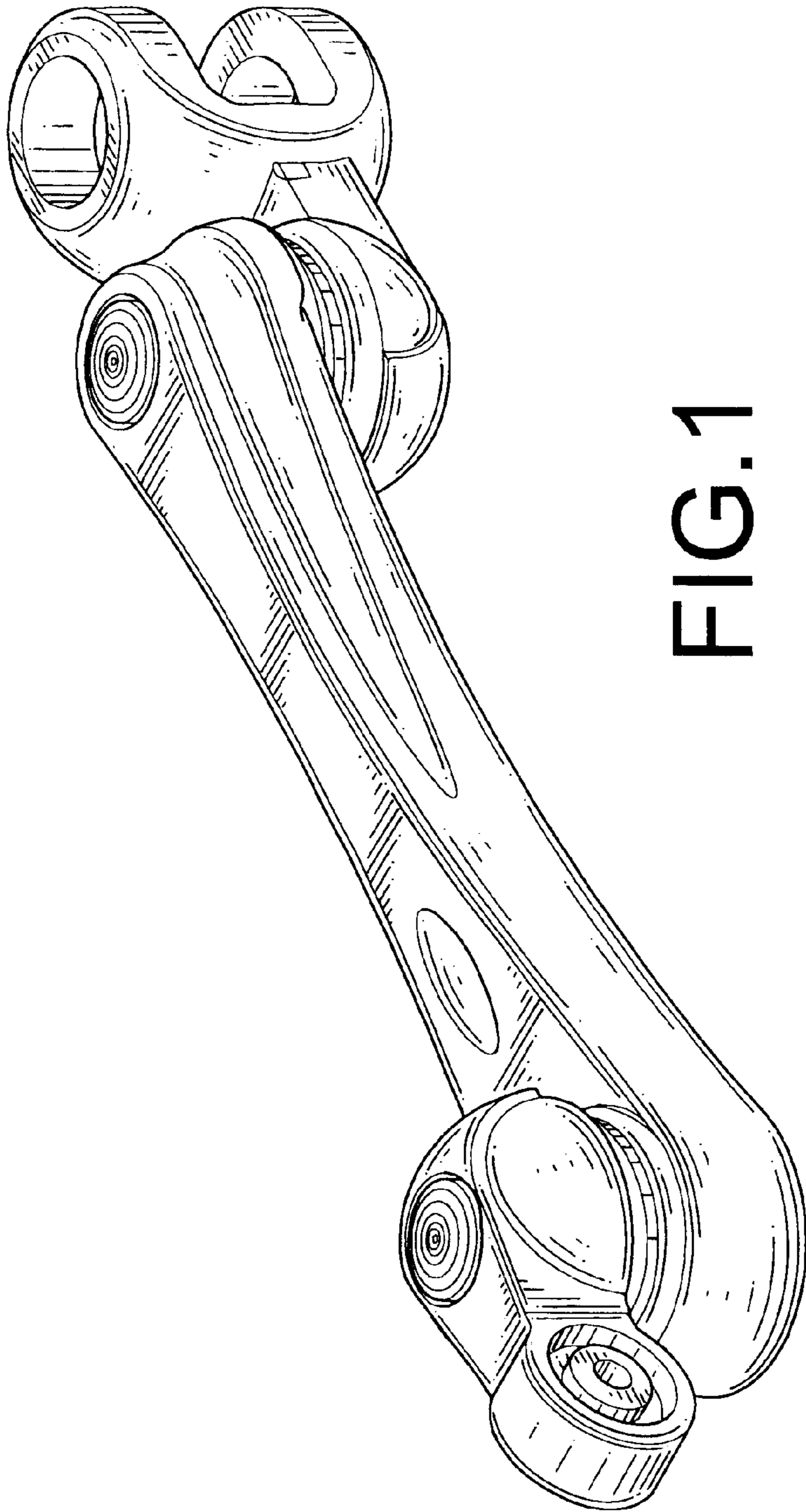


FIG. 1

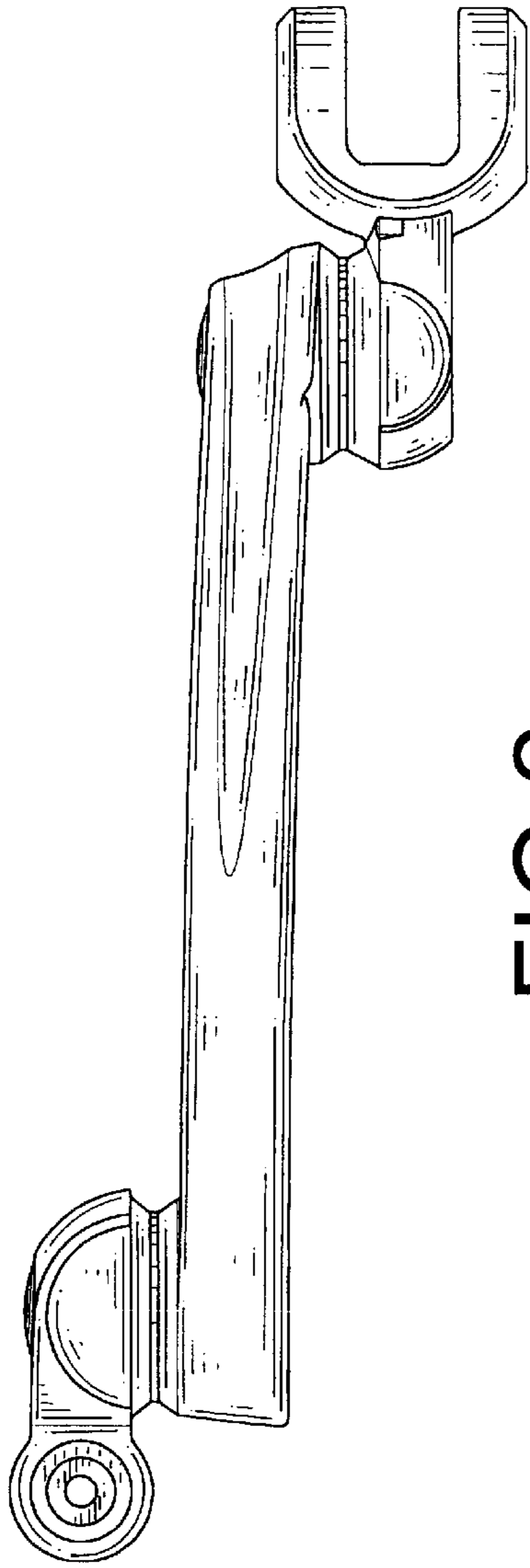


FIG. 2

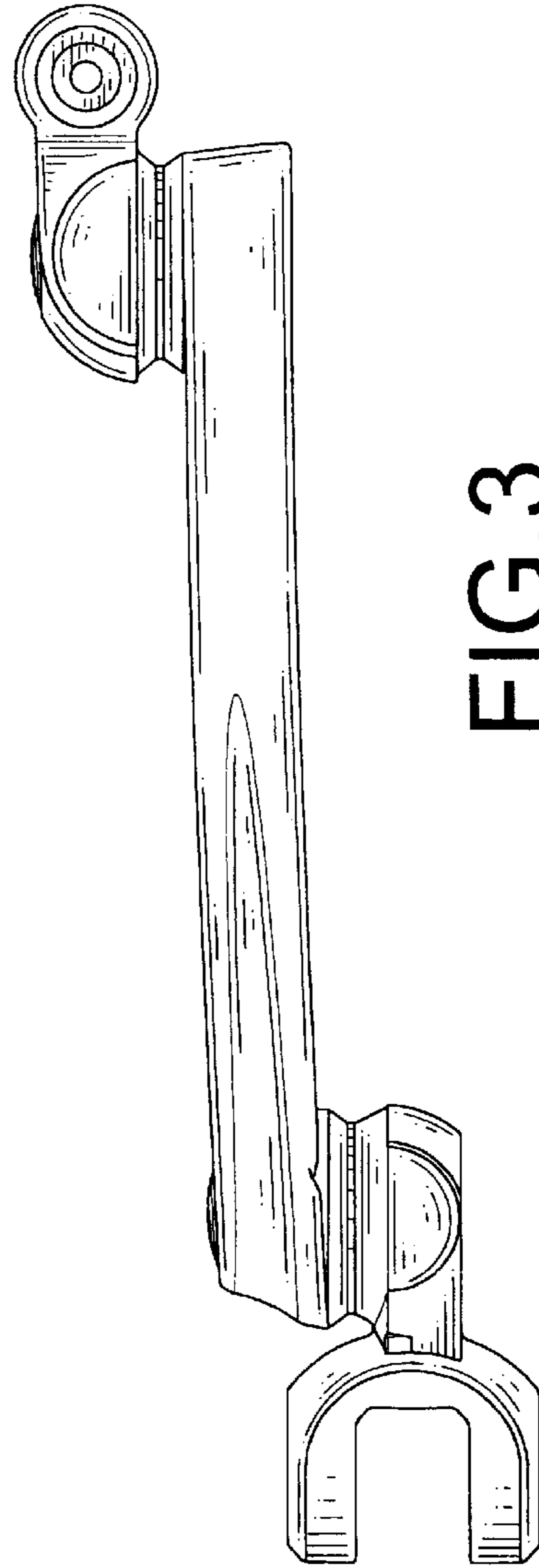


FIG. 3

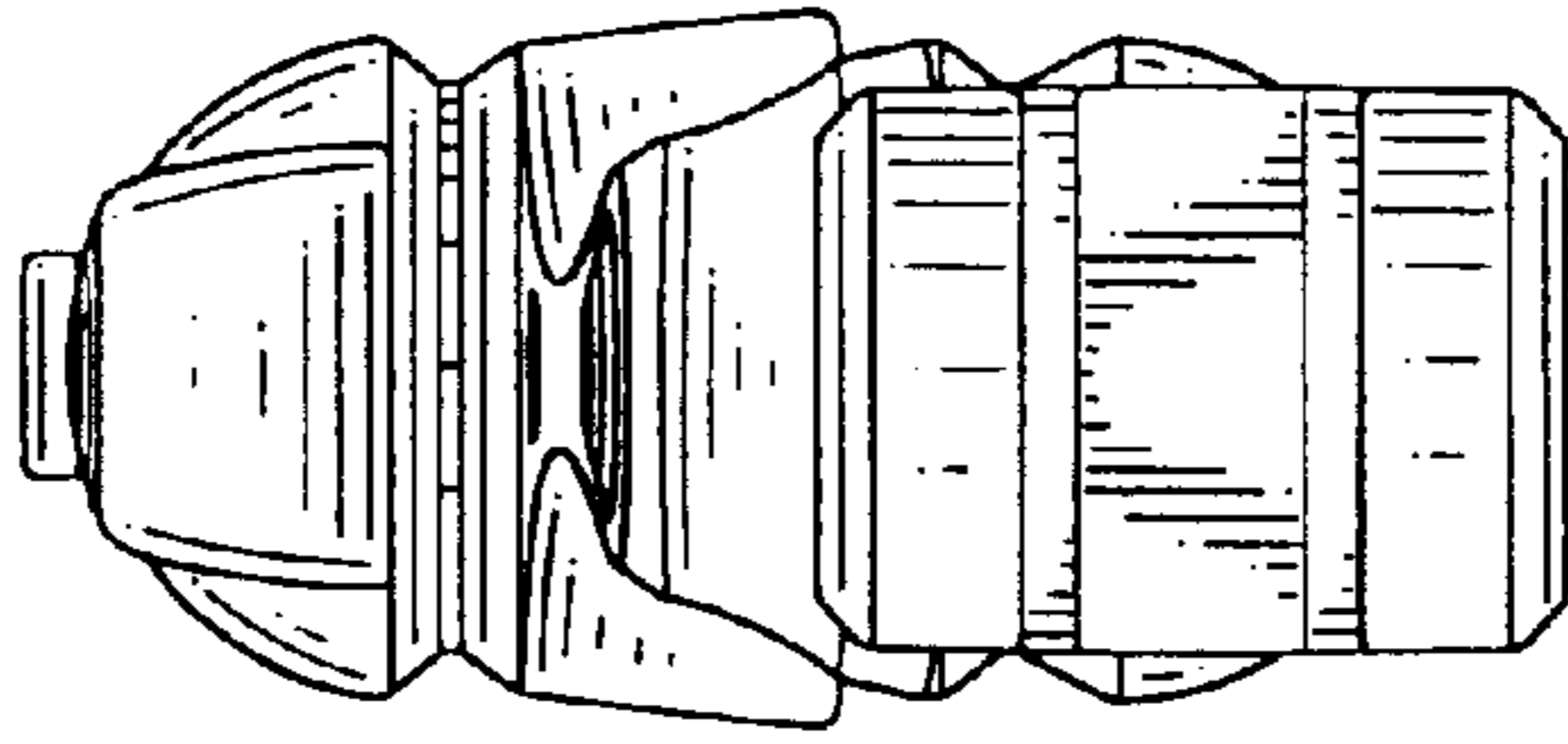


FIG. 5

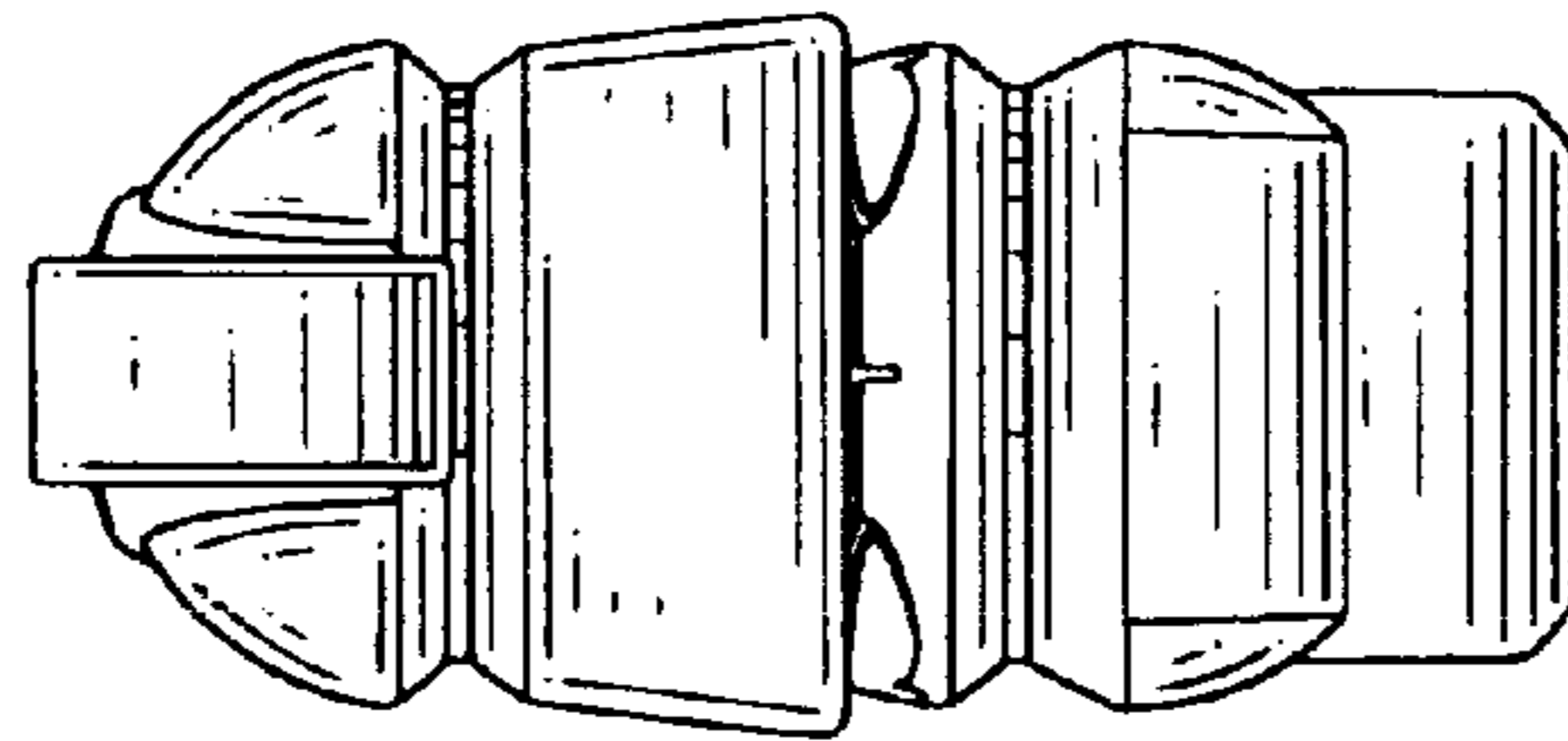


FIG. 4

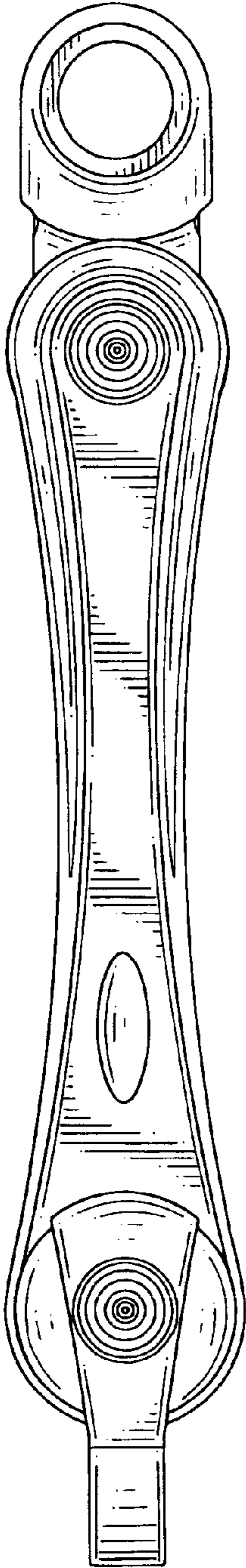


FIG. 6

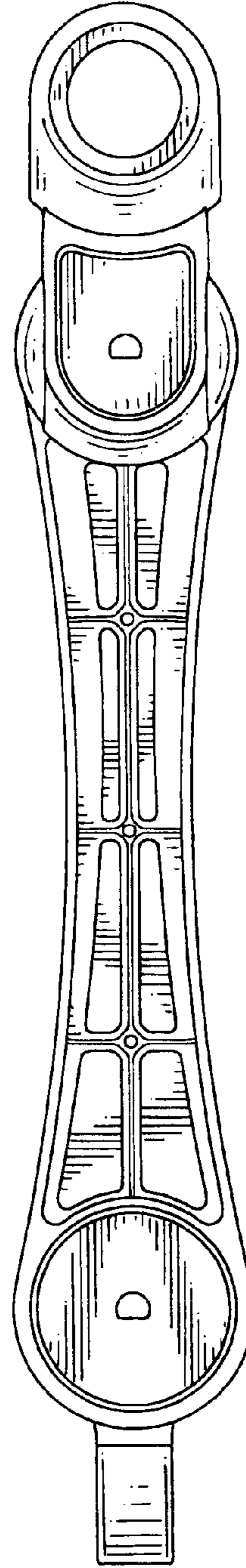


FIG. 7

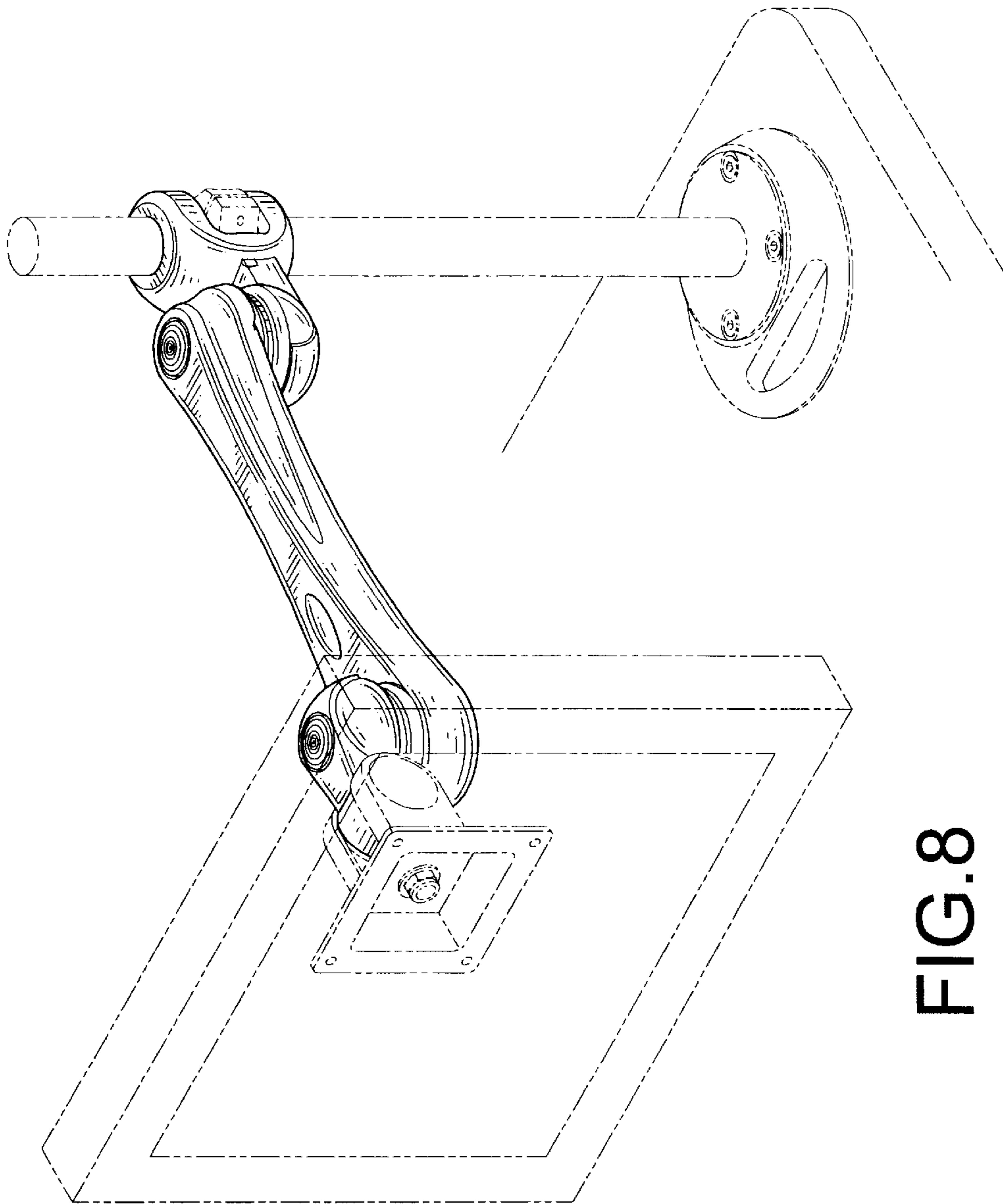


FIG. 8