



US00D491570S

(12) **United States Design Patent**  
**Fan et al.**

(10) **Patent No.:** **US D491,570 S**

(45) **Date of Patent:** **\*\* Jun. 15, 2004**

(54) **SERVER FRONT BEZEL**

D448,033 S \* 9/2001 Anderson et al. .... D14/441  
D460,457 S \* 7/2002 Caughlan et al. .... D14/445

(75) Inventors: **Chen-Lu Fan**, Tu-chen (TW); **Li-Ping Chen**, Tu-Chen (TW)

\* cited by examiner

(73) Assignee: **Hon Hai Precision Ind. Co., Ltd.**,  
Taipei Hsien (TW)

*Primary Examiner*—Freda S. Nunn  
(74) *Attorney, Agent, or Firm*—Wei Te Chung

(\*\*) Term: **14 Years**

(57) **CLAIM**

(21) Appl. No.: **29/181,181**

The ornamental design for a server front bezel, as shown and described.

(22) Filed: **May 5, 2003**

**DESCRIPTION**

(30) **Foreign Application Priority Data**

Mar. 13, 2003 (CN) ..... 03 3 20800

FIG. 1 is a perspective view of a server front bezel of our new design;  
FIG. 2 is a front elevational view thereof;  
FIG. 3 is a rear elevational view thereof;  
FIG. 4 is a left side elevational view thereof;  
FIG. 5 is a right side elevational view thereof;  
FIG. 6 is a top plan view thereof;  
FIG. 7 is a bottom plan view thereof; and,  
FIG. 8 is a perspective view thereof being mounted to a server case which is shown in broken lines for illustrative purposes only and forms no part of the claimed design.

(51) **LOC (7) Cl.** ..... **14-02**

(52) **U.S. Cl.** ..... **D14/445**

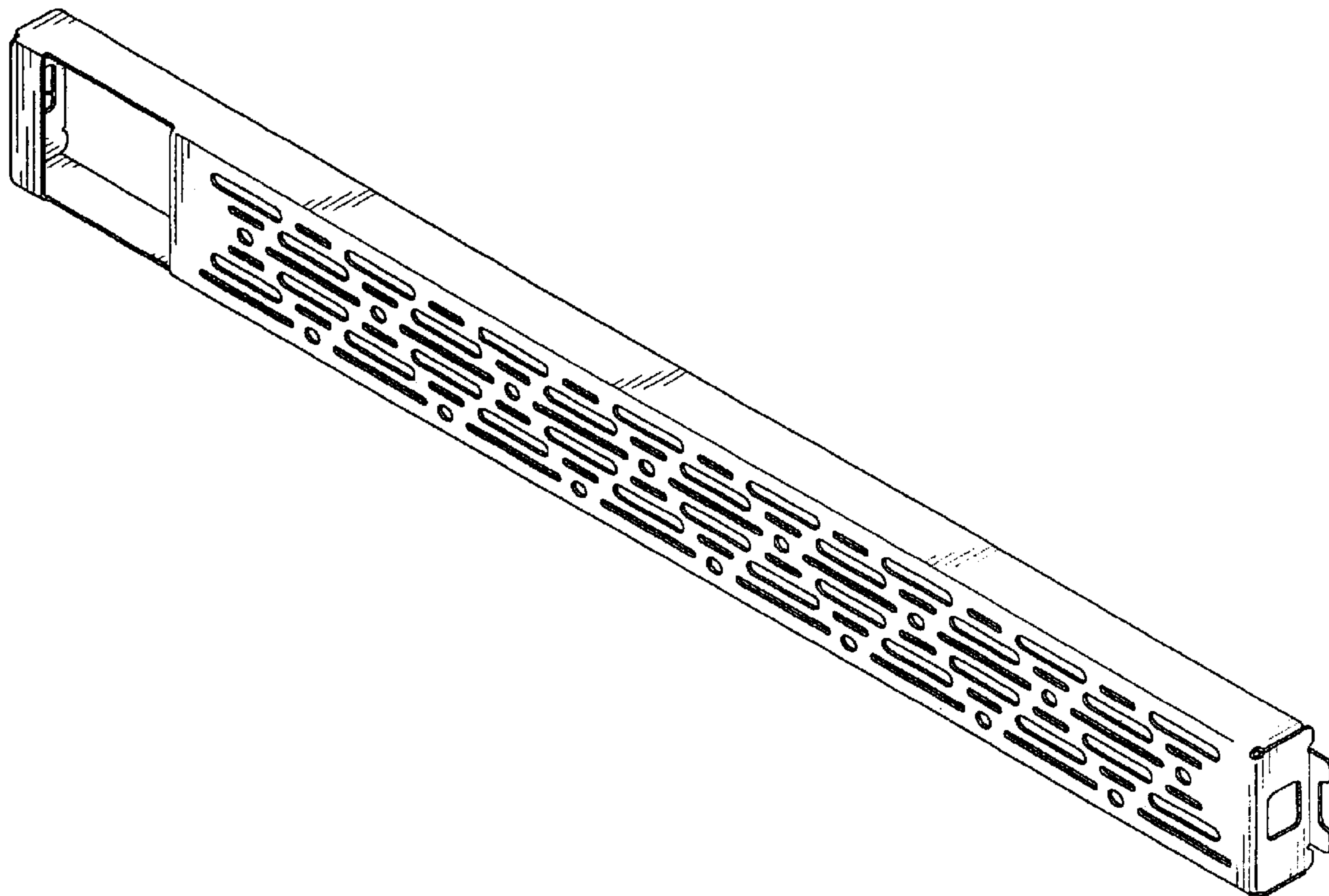
(58) **Field of Search** ..... D14/441-446;  
D13/162, 184, 199; 312/223.2; 361/680-686,  
690-696

(56) **References Cited**

**U.S. PATENT DOCUMENTS**

D447,483 S \* 9/2001 Wu ..... D14/441

**1 Claim, 5 Drawing Sheets**



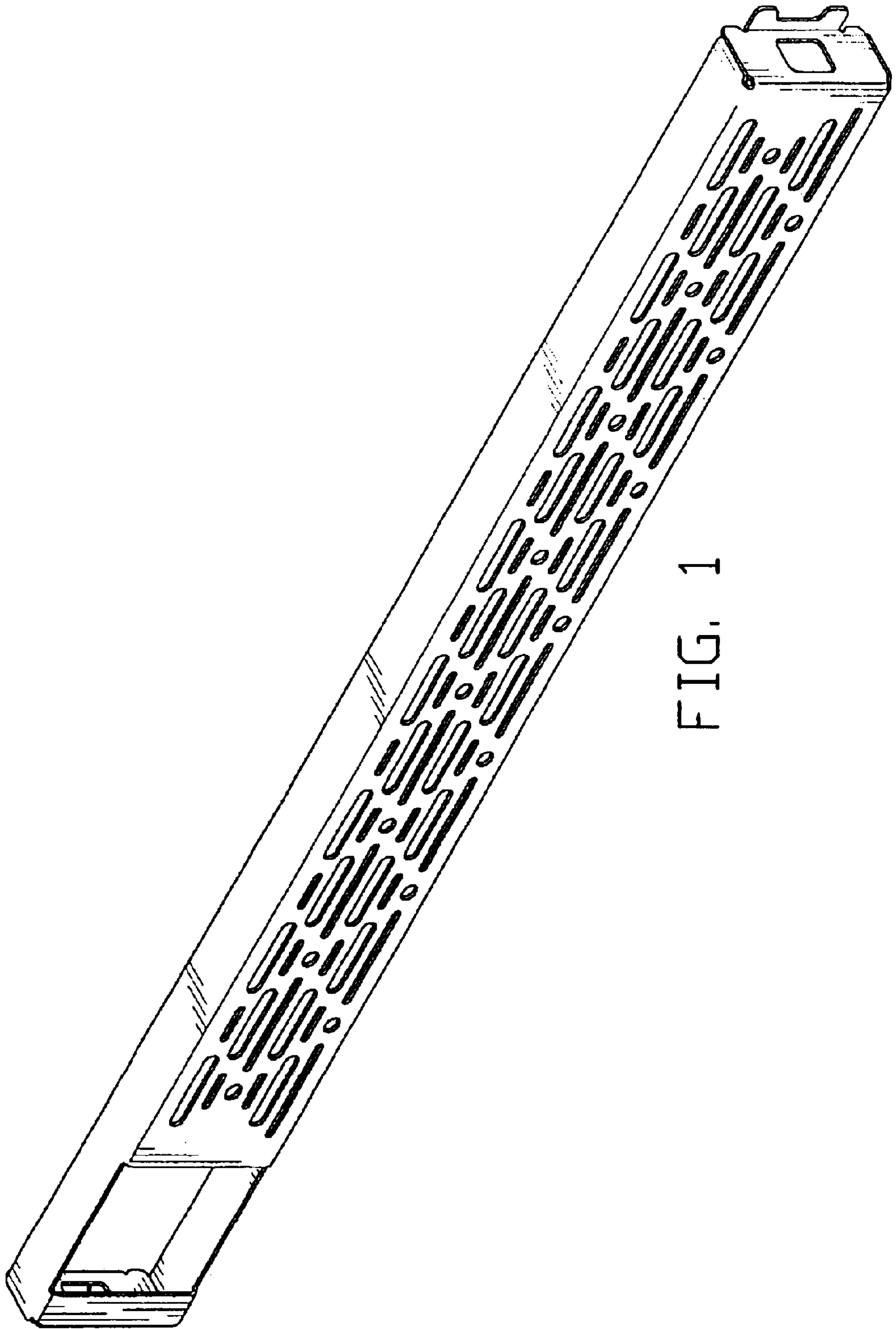


FIG. 1

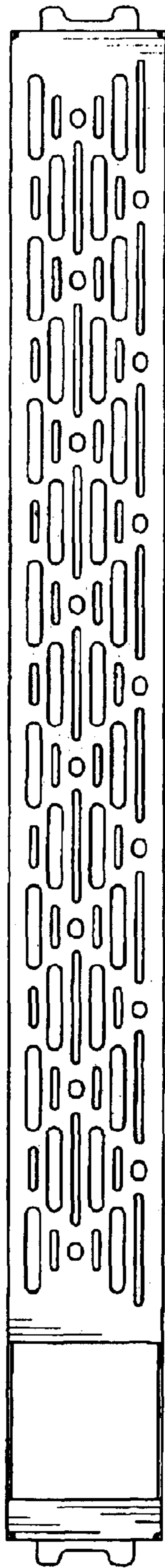


FIG. 2

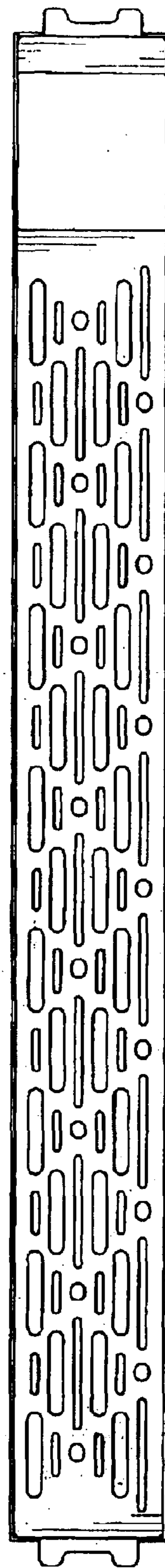


FIG. 3



FIG. 4



FIG. 5



FIG. 6

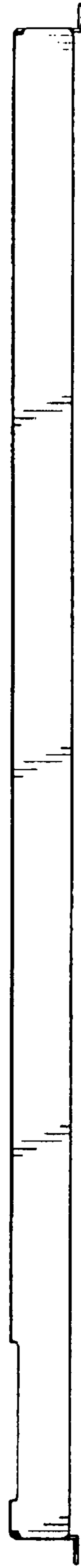


FIG. 7

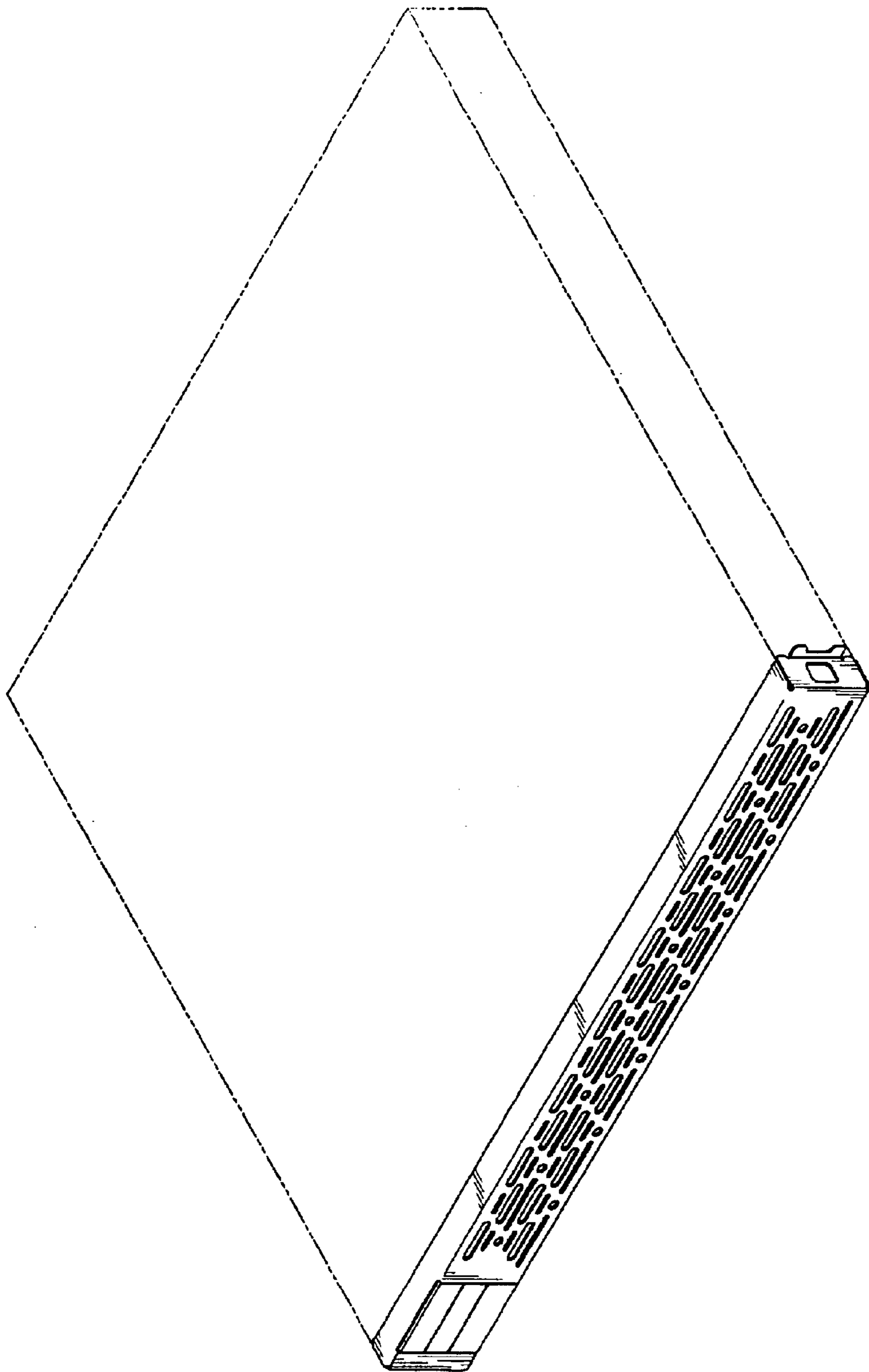


FIG. 8