



US00D491564S

(12) **United States Design Patent**
Chaney et al.

(10) **Patent No.:** **US D491,564 S**
(45) **Date of Patent:** **** Jun. 15, 2004**

(54) **TAPE CARTRIDGE**

(75) Inventors: **Richard Chaney**, Elbert, CO (US);
Dana Kritter, Colorado Springs, CO
(US); **John Goode**, Monument, CO
(US); **Stephen Stamm**, Fort Lupton,
CO (US); **James Justin Kuhar**,
Broomfield, CO (US); **David Pitcher**,
Worcester, MA (US)

(73) Assignee: **Quantum Corporation**, Milpitas, CA
(US)

(**) Term: **14 Years**

(21) Appl. No.: **29/177,154**

(22) Filed: **Mar. 3, 2003**

(51) **LOC (7) Cl.** **14-02**

(52) **U.S. Cl.** **D14/435; D14/425; D21/332**

(58) **Field of Search** **D14/474-482,**
D14/435; D21/324, 332; 242/348-348.4;
360/132-135, 900; 206/307, 308.1, 308.2,
308.3; 369/275.1-275.5, 280-292; 463/43-46

(56) **References Cited**

U.S. PATENT DOCUMENTS

4,608,617	A	*	8/1986	Oishi et al.	360/133
5,029,771	A	*	7/1991	Ranola	242/348
5,209,424	A	*	5/1993	Fischer et al.	242/348.2
5,681,002	A	*	10/1997	Kikuchi	242/348
5,868,338	A	*	2/1999	Martin et al.	242/348

D407,084	S	*	3/1999	Waler et al.	D21/332
D413,592	S	*	9/1999	Saliba et al.	D14/435
D449,078	S	*	10/2001	Fujita	D21/332
D465,786	S	*	11/2002	Hoge et al.	D14/475
D474,191	S	*	5/2003	Nakyama	D14/475

* cited by examiner

Primary Examiner—Prabhakar Deshmukh
(74) *Attorney, Agent, or Firm*—Morrison & Foerster LLP

(57) **CLAIM**

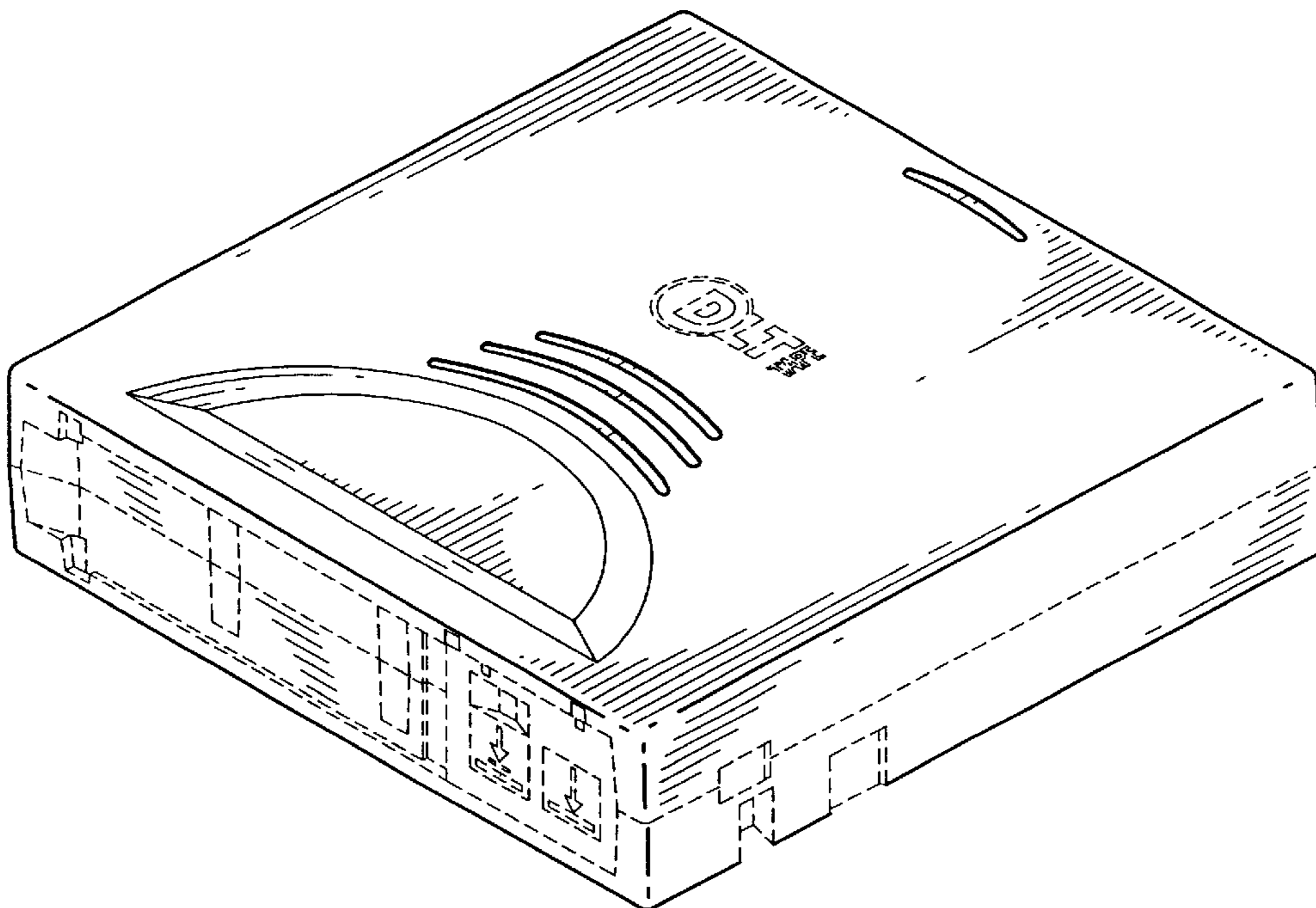
The ornamental design for a tape cartridge, as shown and described.

DESCRIPTION

FIG. 1 is a perspective view of a tape cartridge showing our new design;
FIG. 2 is a front view thereof;
FIG. 3 is a rear view thereof;
FIG. 4 is a top view thereof;
FIG. 5 is a right side view thereof;
FIG. 6 is a left side view thereof;
FIG. 7 is a bottom view thereof;
FIG. 8 is a cross section taken along line 8—8 of FIG. 4;
FIG. 9 is a cross section taken along line 9—9 of FIG. 4;
and,
FIG. 10 is a cross section taken along line 10—10 of FIG. 7.

The broken lines are for illustrative purpose only and form no part of the claimed design.

1 Claim, 4 Drawing Sheets



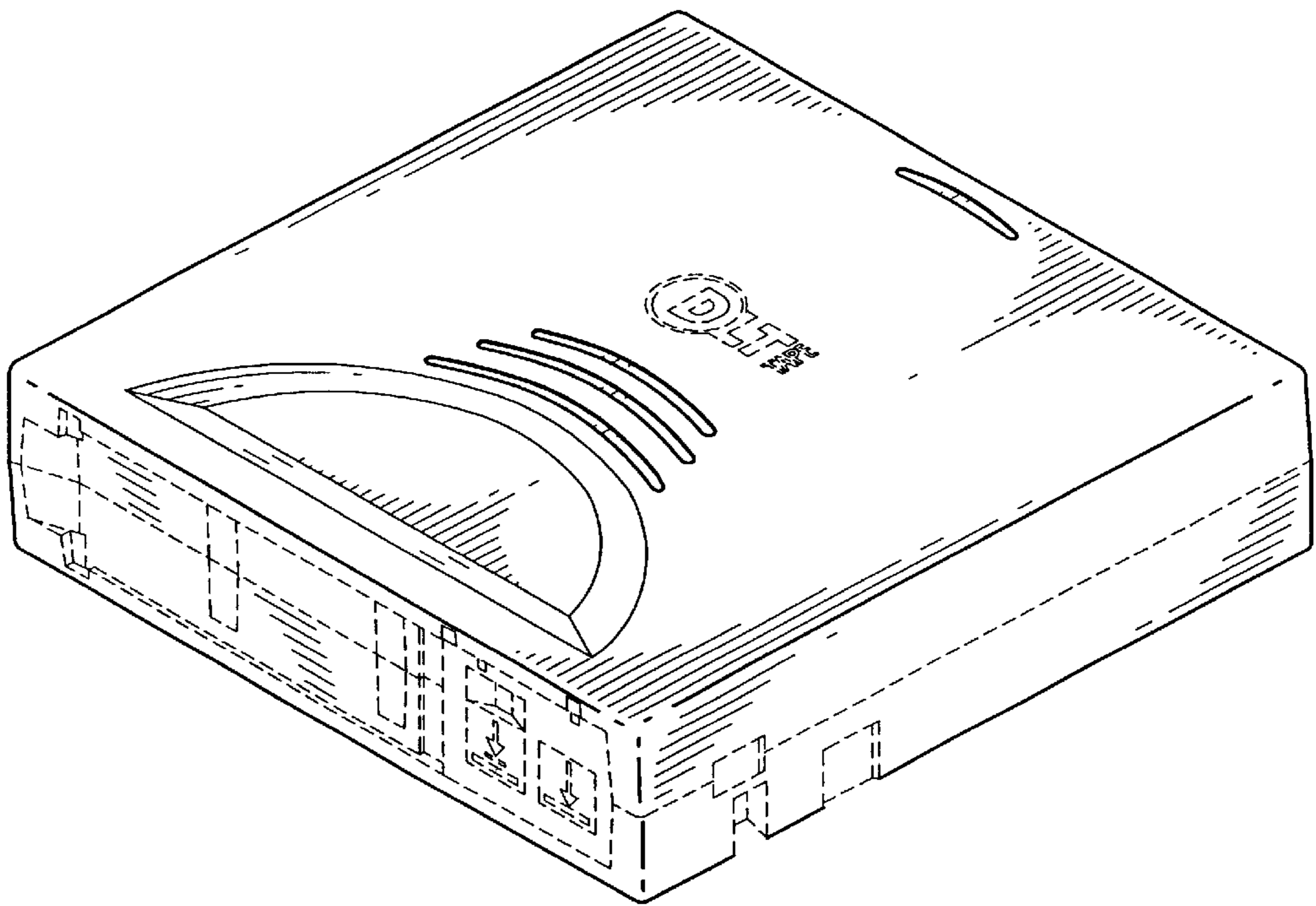


Fig. 1

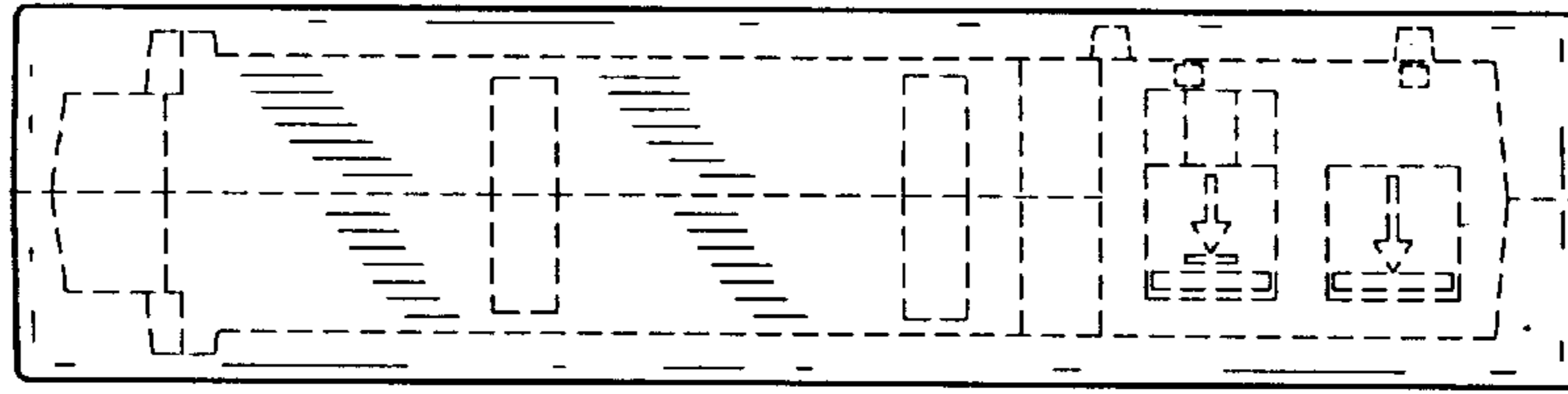


Fig. 2

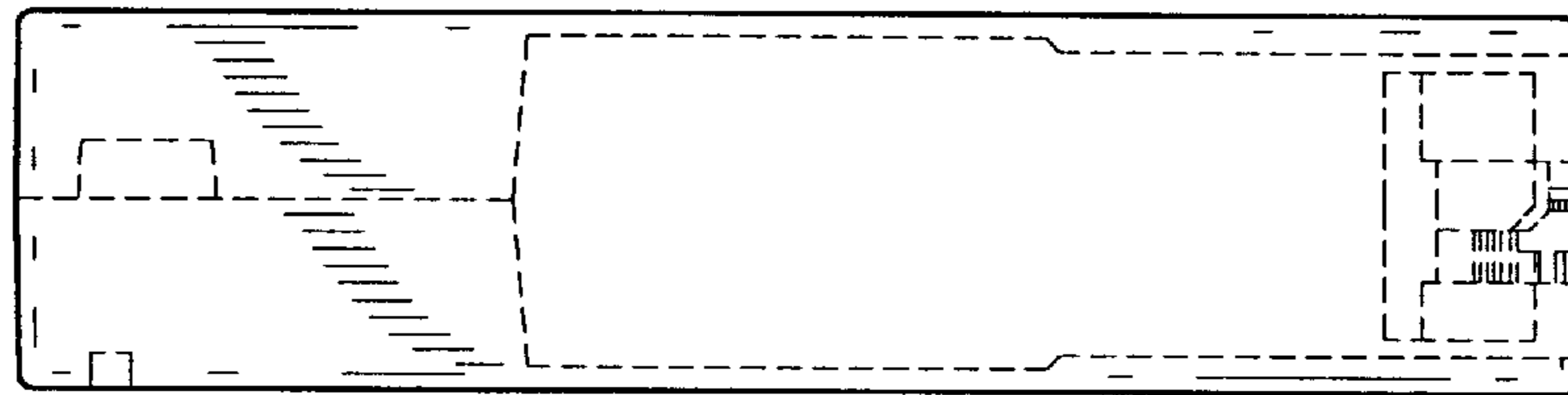
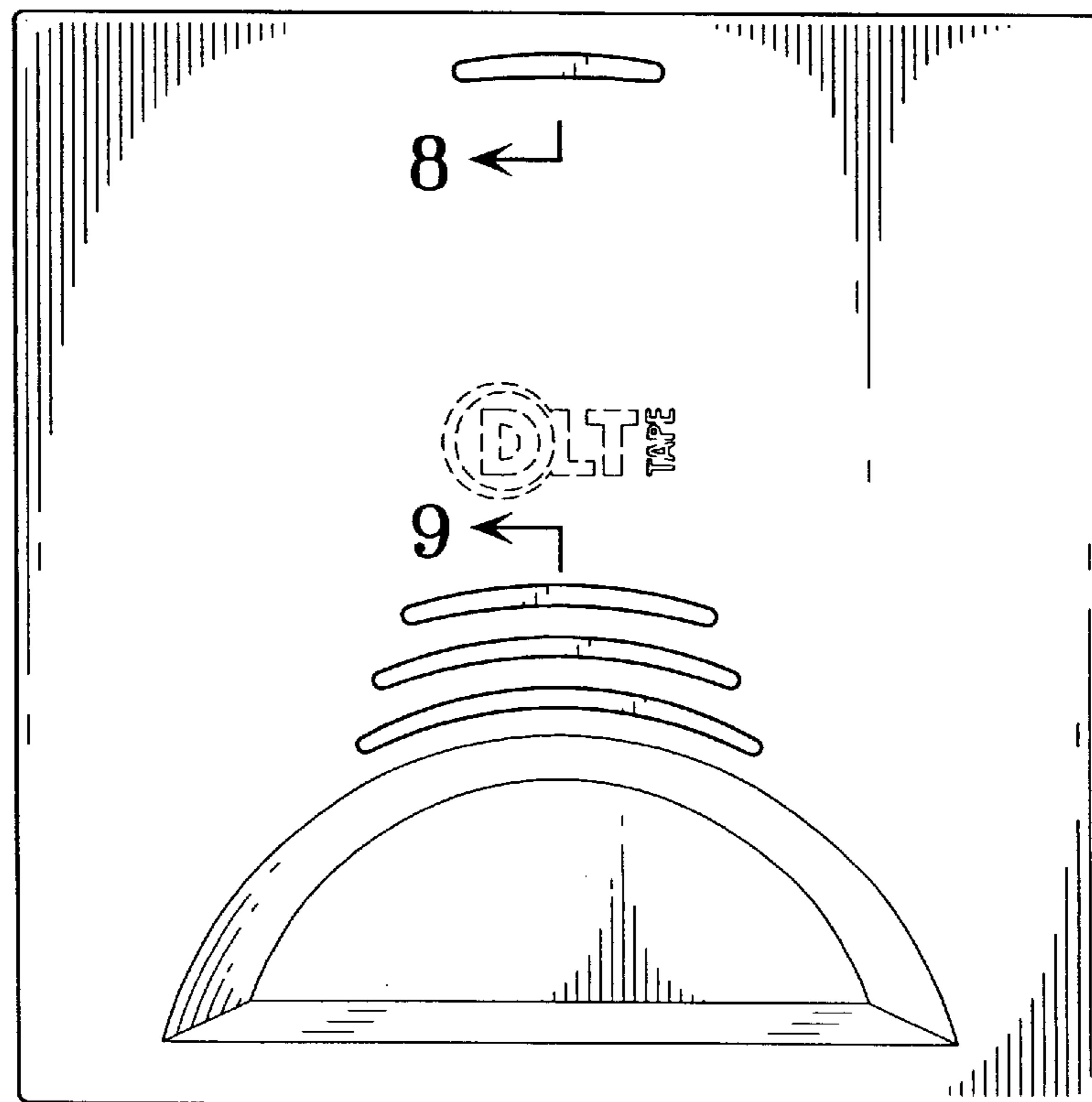


Fig. 3

8 ←



9 ←

Fig. 4

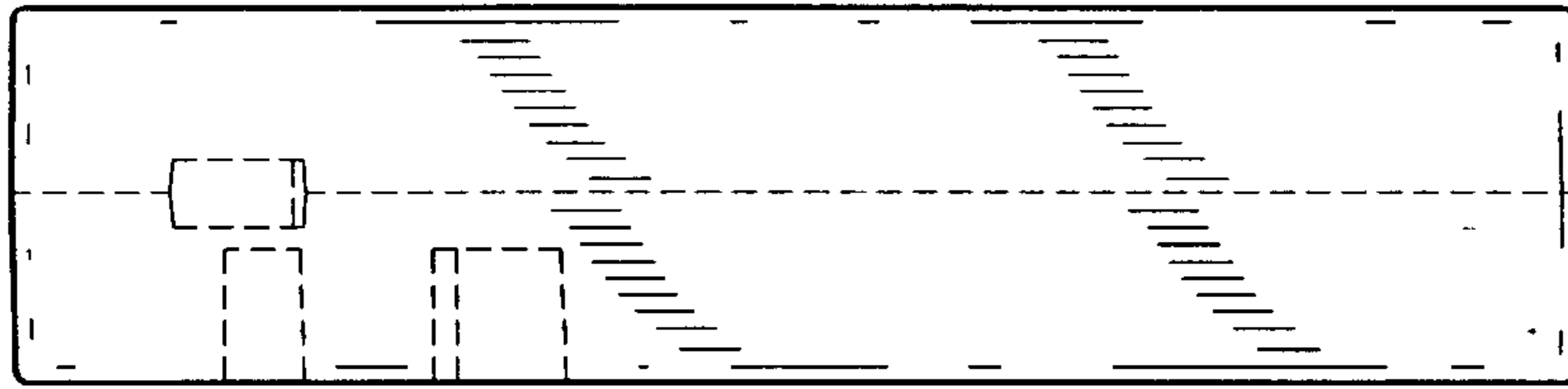


Fig. 5

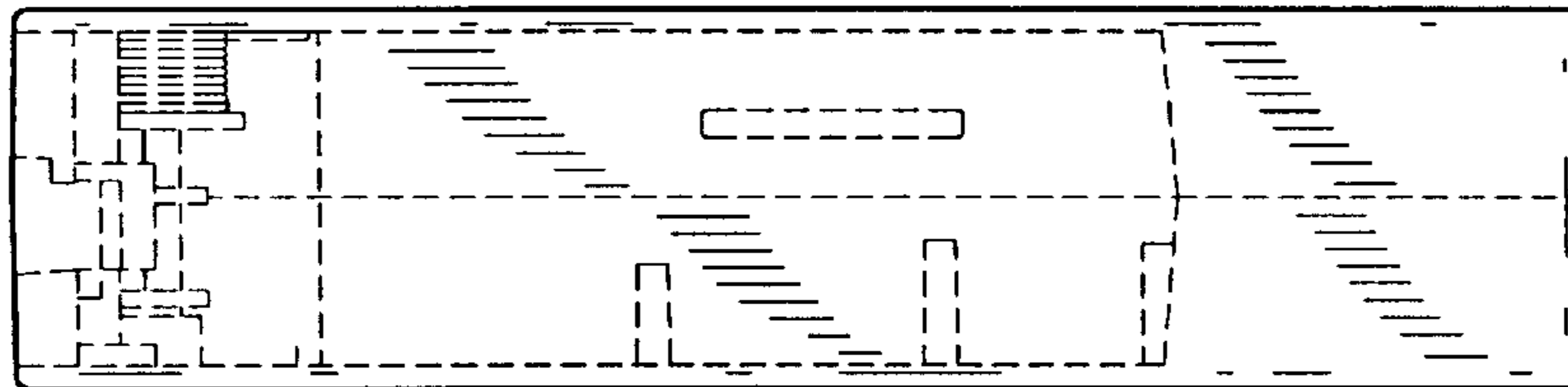
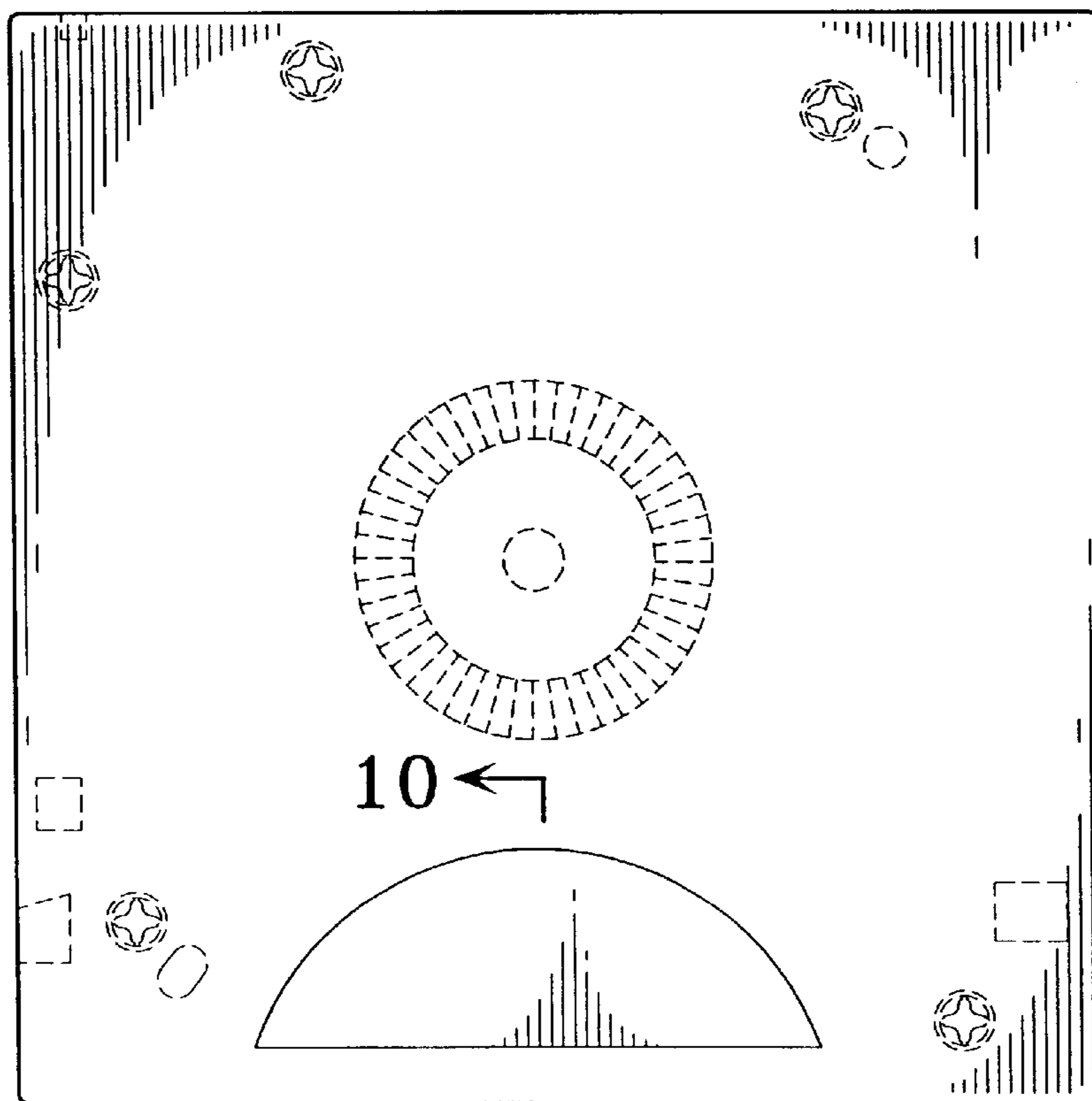


Fig. 6



10 ← Fig. 7



Fig. 8



Fig. 9



Fig. 10