



US00D491559S

(12) **United States Design Patent**
He et al.

(10) **Patent No.:** **US D491,559 S**
(45) **Date of Patent:** **** Jun. 15, 2004**

(54) **FRONT COVER FOR A MOBILE PHONE**

(75) Inventors: **Jiang Yuan He**, Shenzhen (CN);
Xiaozhou Wang, Shenzhen (CN);
Chia-Hua Chen, Tu-chen (TW)

(73) Assignee: **Hon Hai Precision Ind. Co., Ltd.**,
Taipei Hsien (TW)

(**) Term: **14 Years**

(21) Appl. No.: **29/173,349**

(22) Filed: **Dec. 27, 2002**

(51) **LOC (7) Cl.** **14-03**

(52) **U.S. Cl.** **D14/248**

(58) **Field of Search** D14/137, 138,
D14/218, 147-148, 247-248, 144, 341-347;
379/433.01-433.13, 419, 434, 428.01-428.04,
420.01-420.04, 440; 455/550.1-90.3; D21/517

D439,230 S	*	3/2001	Braxton et al.	D14/138
D443,607 S	*	6/2001	Kolinen	D14/248
D446,509 S	*	8/2001	Chiu	D14/138
D448,022 S	*	9/2001	Higashi et al.	D14/248
6,317,588 B1	*	11/2001	Curtis et al.	455/566
D451,914 S	*	12/2001	Vuolteenaho et al.	D14/248
D452,235 S	*	12/2001	Langford et al.	D14/248
D455,134 S	*	4/2002	Kolinen	D14/138
D455,726 S	*	4/2002	Kolinen	D14/138
D455,740 S	*	4/2002	Salmi et al.	D14/248
D456,018 S	*	4/2002	Lee	D14/248
6,375,026 B1	*	4/2002	Sheldrake et al.	220/4.02
D458,251 S	*	6/2002	Vuolteenaho et al.	D14/248
D461,467 S	*	8/2002	Ruohonen	D14/248
D462,345 S	*	9/2002	Kim et al.	D14/248
D471,905 S	*	3/2003	Langford	D14/248
D472,238 S	*	3/2003	Dalby et al.	D14/248
D475,043 S	*	5/2003	Lehtonen	D14/248
D475,703 S	*	6/2003	Burns et al.	D14/248
D475,704 S	*	6/2003	Arbisi	D14/248
D476,321 S	*	6/2003	Pottie et al.	D14/248
D476,322 S	*	6/2003	Arbisi et al.	D14/248

(56) **References Cited**

U.S. PATENT DOCUMENTS

D362,249 S	*	9/1995	Burstedt et al.	D14/138
D396,713 S	*	8/1998	Nuovo et al.	D14/138
D398,931 S	*	9/1998	Nuovo et al.	D14/250
D405,785 S	*	2/1999	Vuolteenaho	D14/138
D406,585 S	*	3/1999	Vuolteenaho et al.	D14/138
D407,400 S	*	3/1999	Tattari	D14/138
D411,205 S	*	6/1999	Frye et al.	D14/250
D412,710 S	*	8/1999	Nuovo	D14/250
D416,913 S	*	11/1999	Kolinen	D14/250
D420,680 S	*	2/2000	Curtis	D14/248
D422,597 S	*	4/2000	Finkbeiner	D14/248
D425,074 S	*	5/2000	Frye et al.	D14/248
D427,983 S	*	7/2000	Nagano et al.	D14/138
D428,001 S	*	7/2000	Curtis	D14/248
D429,490 S	*	8/2000	Collins et al.	D14/248
D434,016 S	*	11/2000	Hunt	D14/138
D436,102 S	*	1/2001	Wu	D14/248
D436,939 S	*	1/2001	Nagano et al.	D14/138

* cited by examiner

Primary Examiner—Jeffrey Asch

(74) *Attorney, Agent, or Firm*—Wei Te Chung

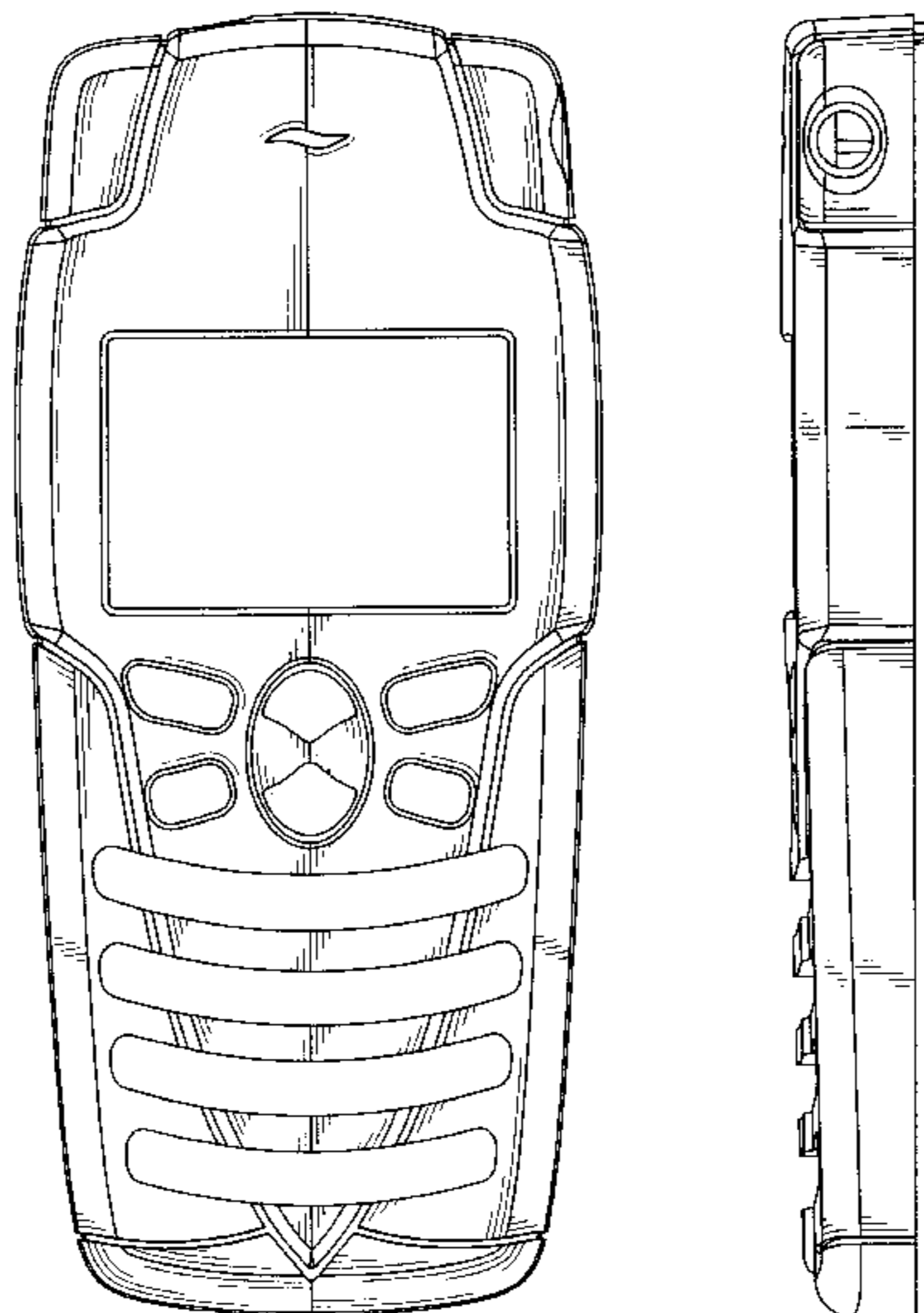
(57) **CLAIM**

The ornamental design for a “front cover for a mobile phone,” as shown and described.

DESCRIPTION

FIG. 1 is a front, top and right side perspective view of a front cover for a mobile phone showing our new design; FIG. 2 is a front elevational view thereof; FIG. 3 is a rear elevational view thereof; FIG. 4 is a left side elevational view thereof; FIG. 5 is a right side elevational view thereof; FIG. 6 is a top plan view thereof; and, FIG. 7 is a bottom plan view thereof.

1 Claim, 5 Drawing Sheets



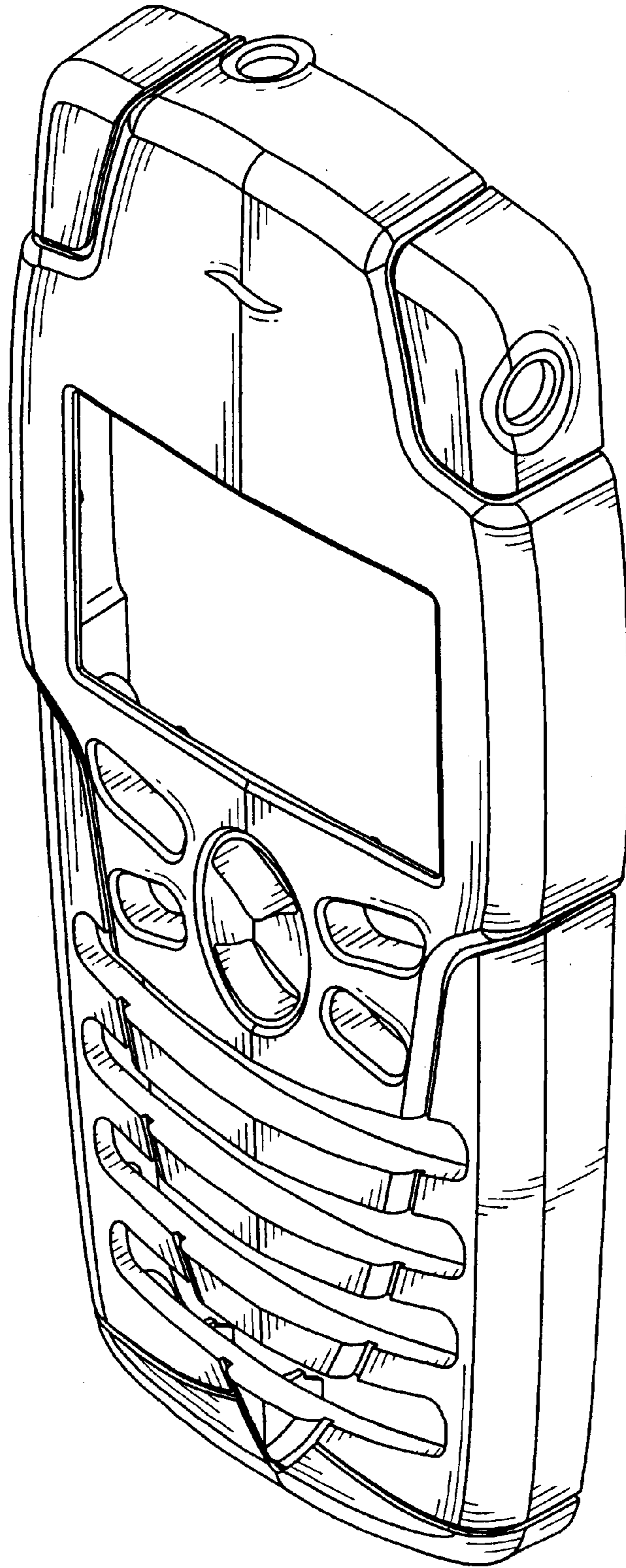


FIG. 1

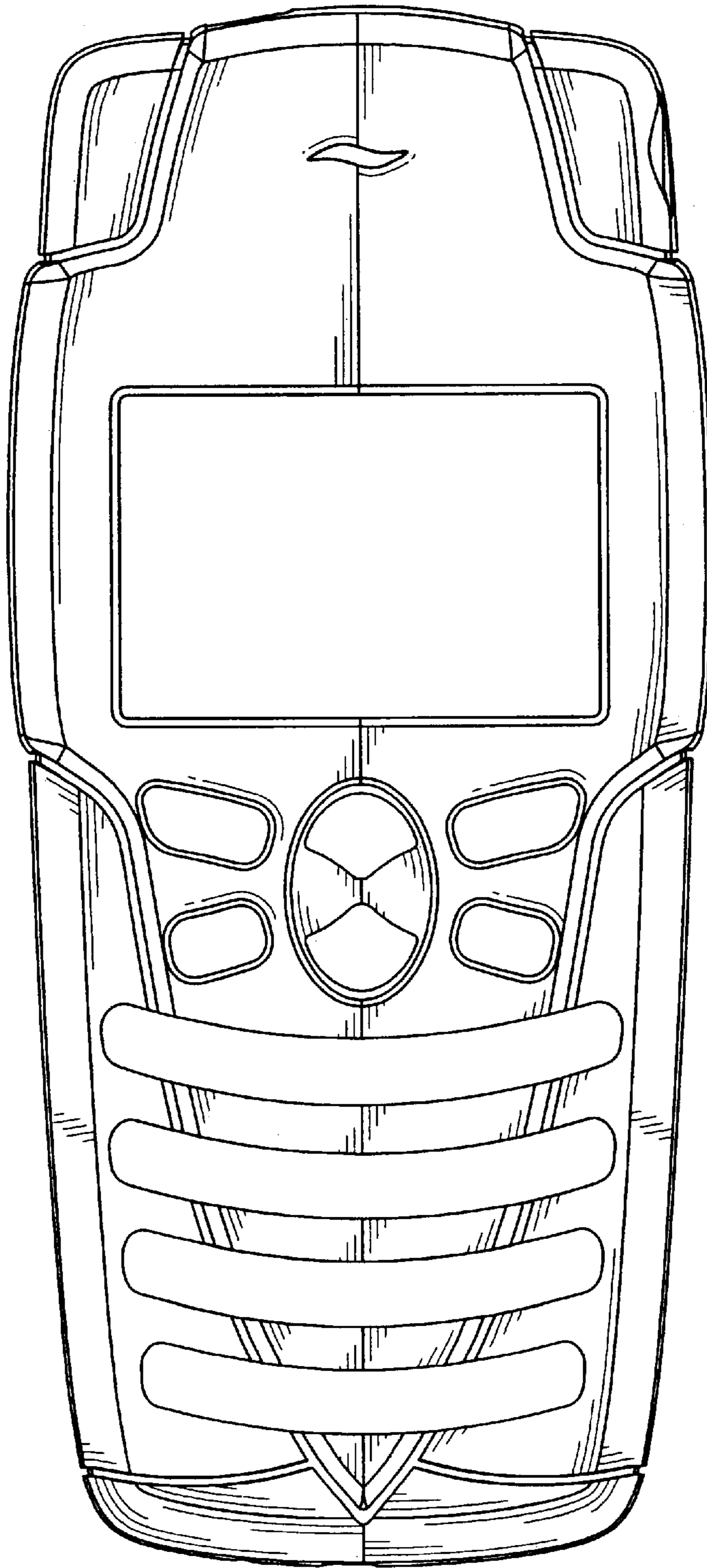


FIG. 2

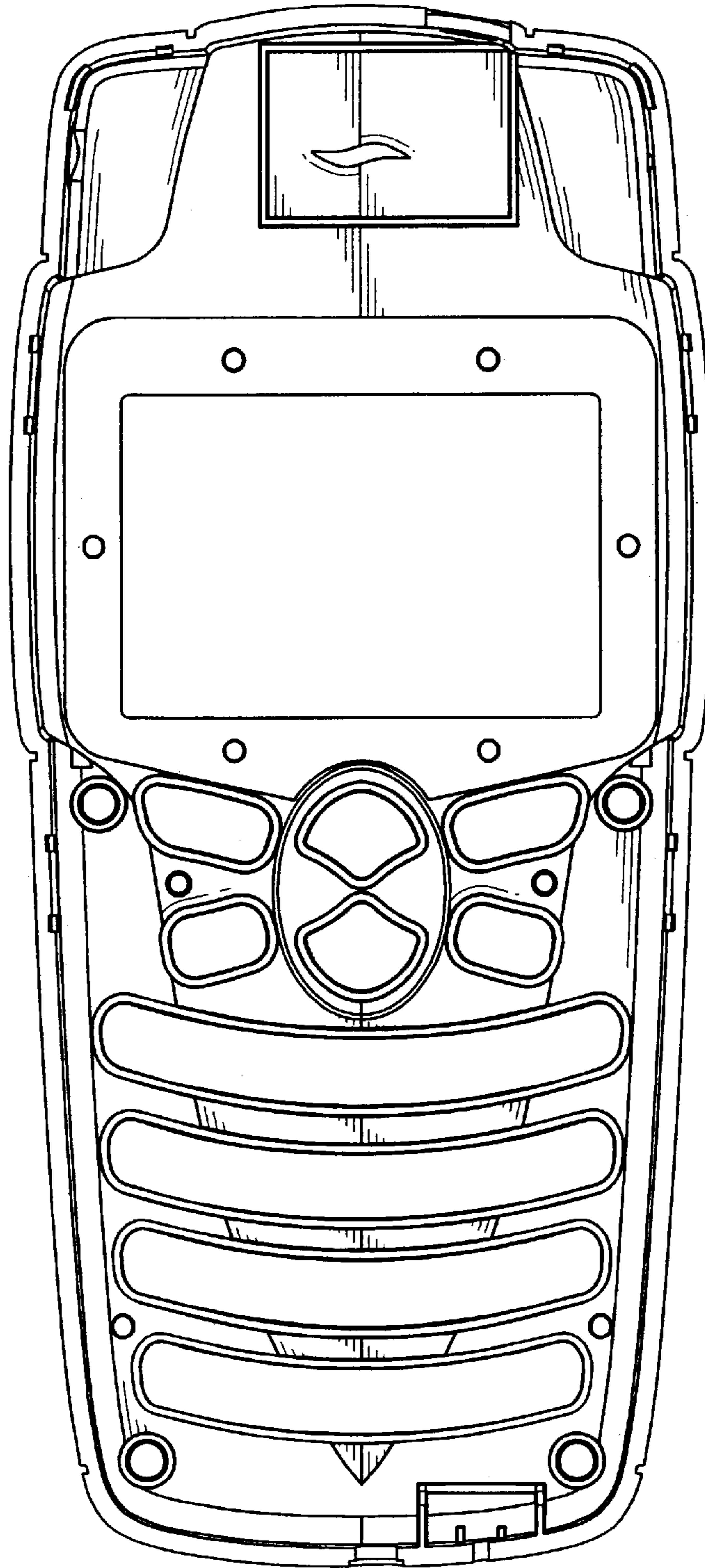


FIG. 3

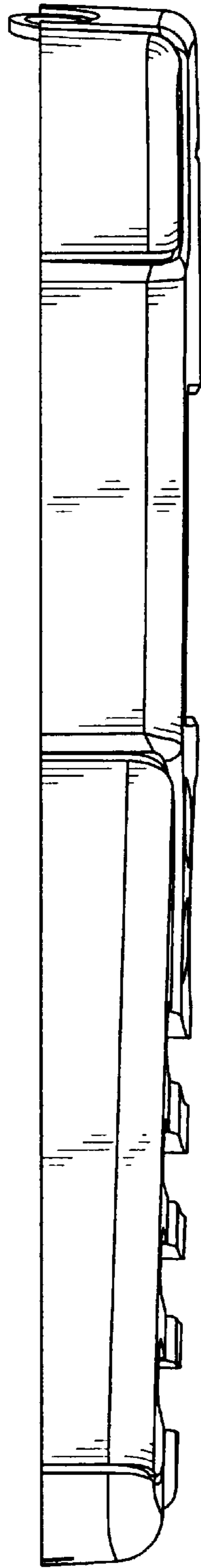


FIG. 4

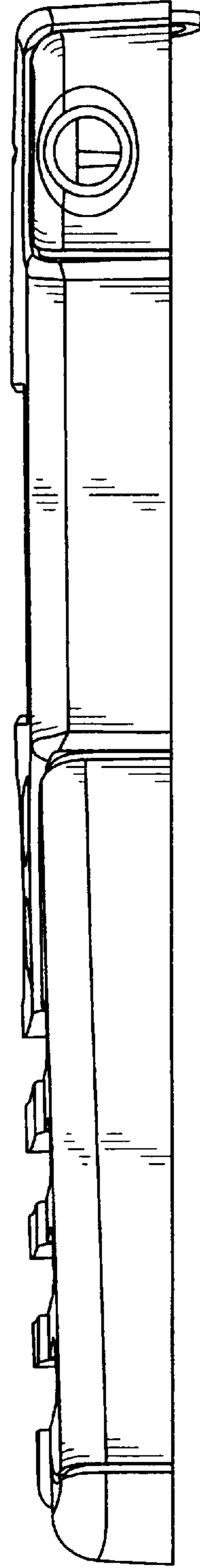


FIG. 5

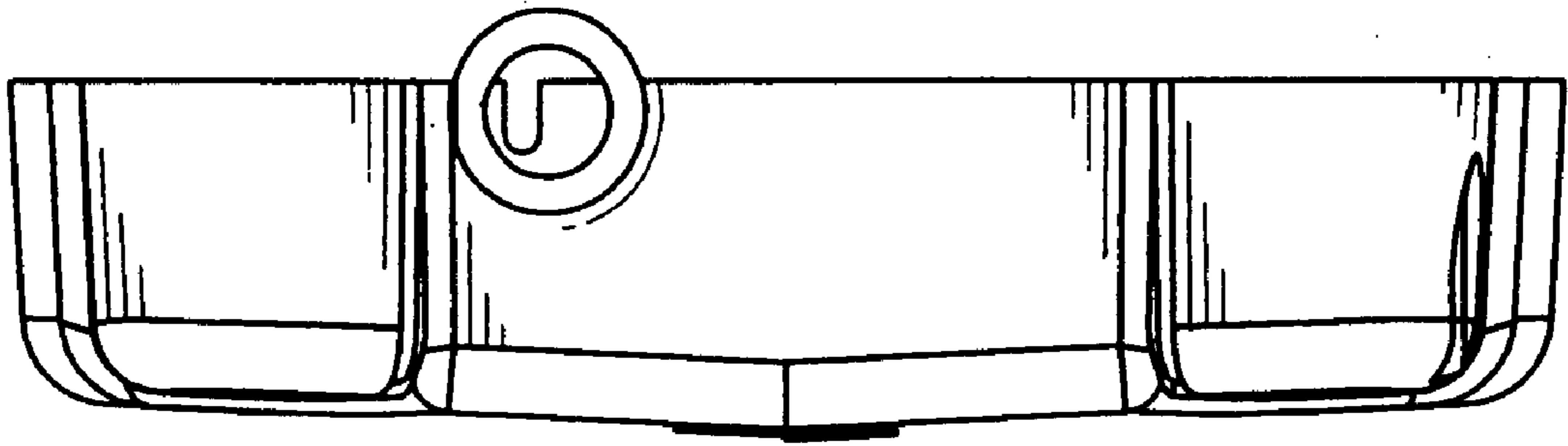


FIG. 6

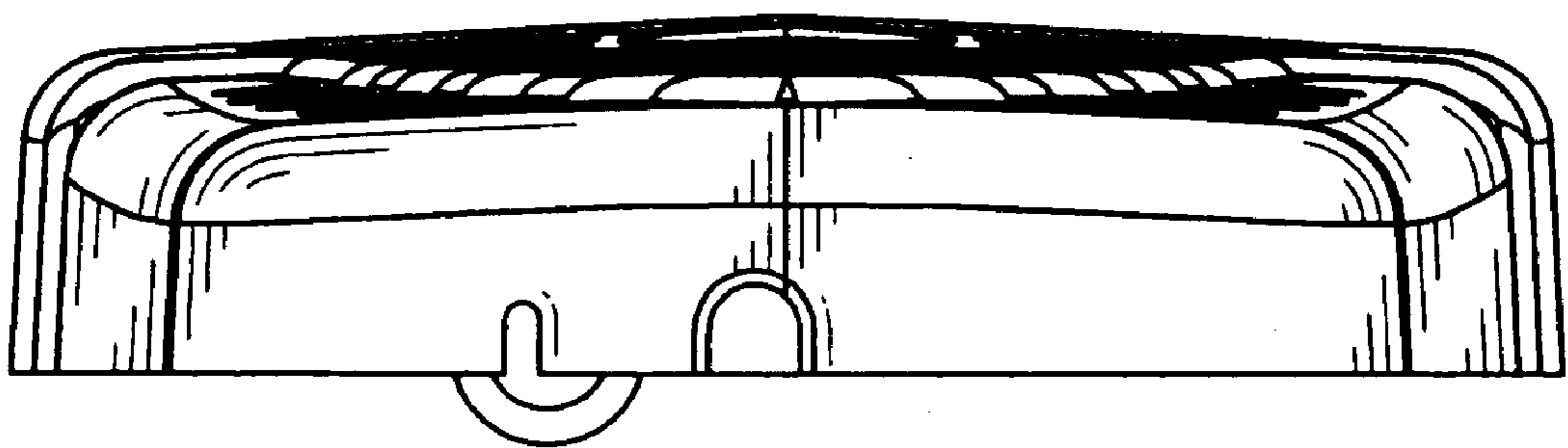


FIG. 7