



US00D491555S

(12) **United States Design Patent**  
**Preissner**

(10) **Patent No.:** **US D491,555 S**

(45) **Date of Patent:** **\*\* Jun. 15, 2004**

(54) **AUDIO HEAD UNIT FACE PLATE**

(75) **Inventor:** **Olaf Preissner, Stuttgart (DE)**

(73) **Assignee:** **Harman International Industries, Incorporated, Northridge, CA (US)**

(\*\*) **Term:** **14 Years**

(21) **Appl. No.:** **29/188,826**

(22) **Filed:** **Aug. 26, 2003**

(51) **LOC (7) Cl.** ..... **14-01**

(52) **U.S. Cl.** ..... **D14/224; D14/258**

(58) **Field of Search** ..... **D14/156, 157, D14/168, 188, 217, 229, 257, 258; 455/344, 347, 350, 351; 369/75.1, 75.2; 360/137**

(56) **References Cited**

**U.S. PATENT DOCUMENTS**

D100,194 S	*	6/1936	Beck	.....	D14/258
D107,654 S	*	12/1937	Marholz	.....	D14/258
D137,625 S	*	4/1944	Peterson	.....	D14/258
D391,259 S	*	2/1998	Ito et al.	.....	D14/188
D391,958 S		3/1998	Miyazawa et al.		
D400,529 S		11/1998	Kakizaki		

D410,650 S	6/1999	Hara	
D436,942 S	1/2001	Ito et al.	
D437,841 S	2/2001	Kakizaki et al.	
D445,784 S	7/2001	Thellec	
D453,156 S	* 1/2002	Le Thellec	..... D14/258

\* cited by examiner

*Primary Examiner*—Paula A. Greene

(74) *Attorney, Agent, or Firm*—Plumsea Law Group, LLC

(57) **CLAIM**

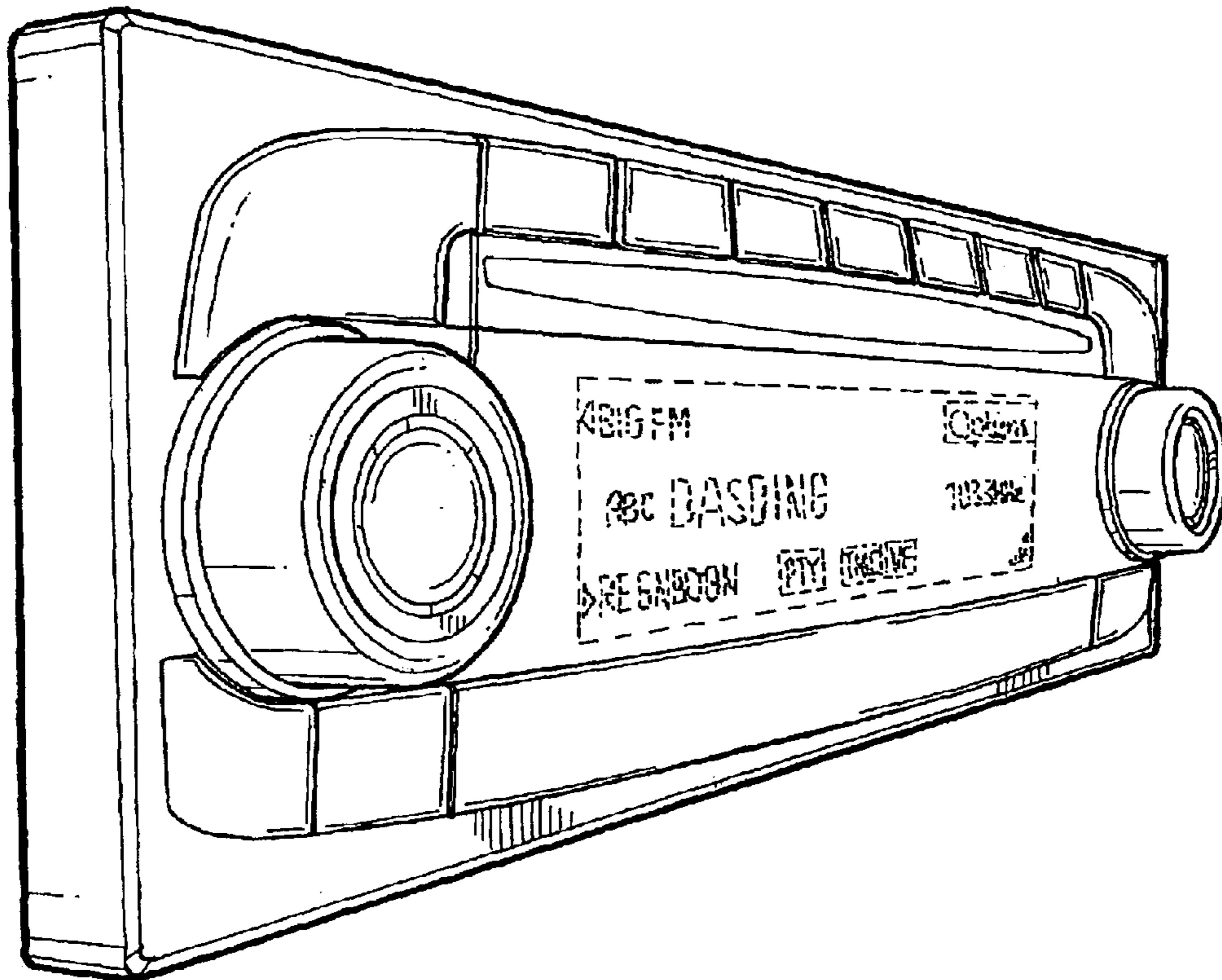
The ornamental design for an audio head unit face plate, as shown and described.

**DESCRIPTION**

FIG. 1 is a perspective view of an audio head unit face plate showing my new design; FIG. 2 is a front elevational view thereof; FIG. 3 is a side elevational view, the opposite side elevational view being a mirror image thereof; and, FIG. 4 is a top plan view thereof.

The broken line showings of the central rectangular area and indicia are for illustrative purposes only and form no part of the claimed invention.

**1 Claim, 3 Drawing Sheets**



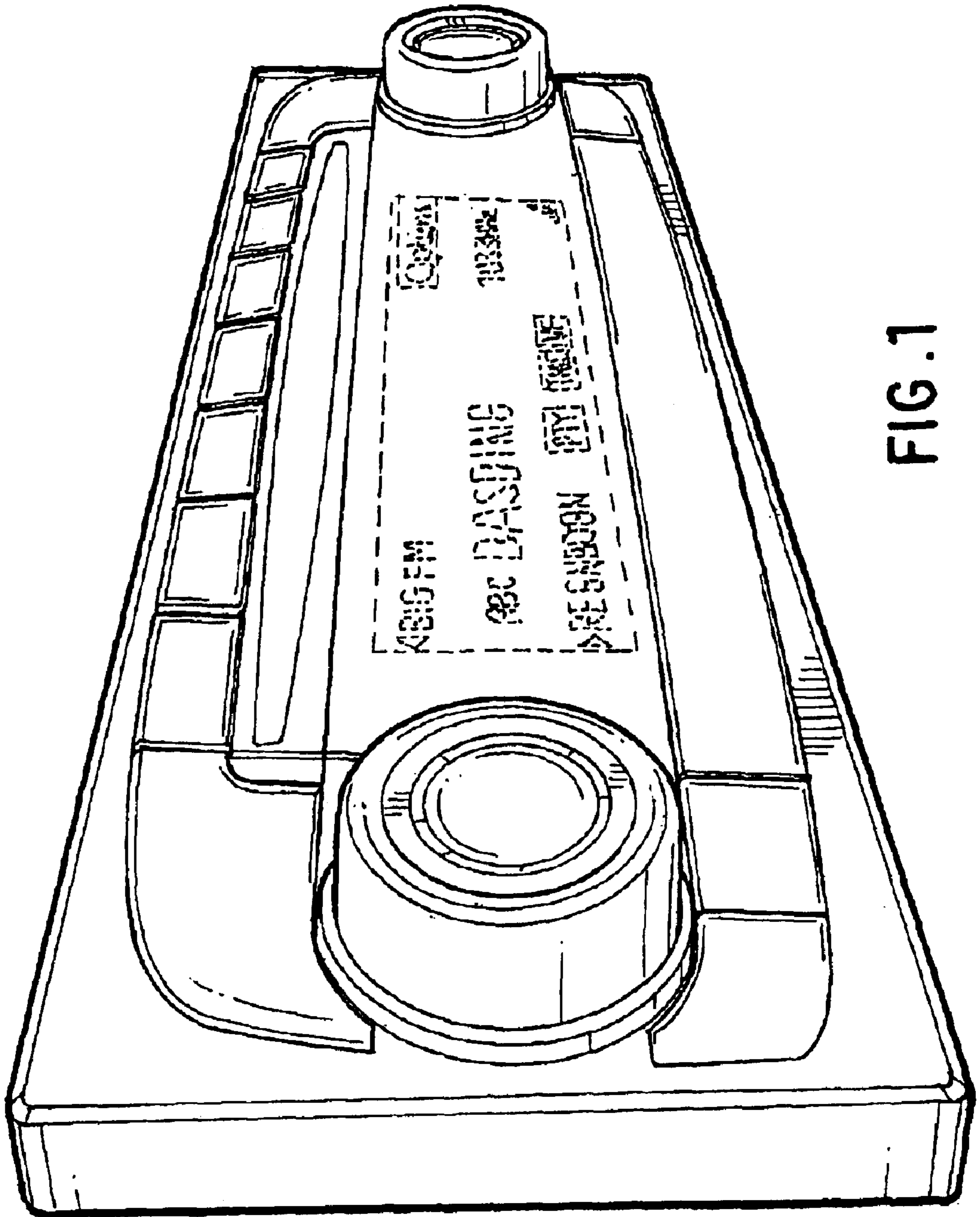


FIG. 1

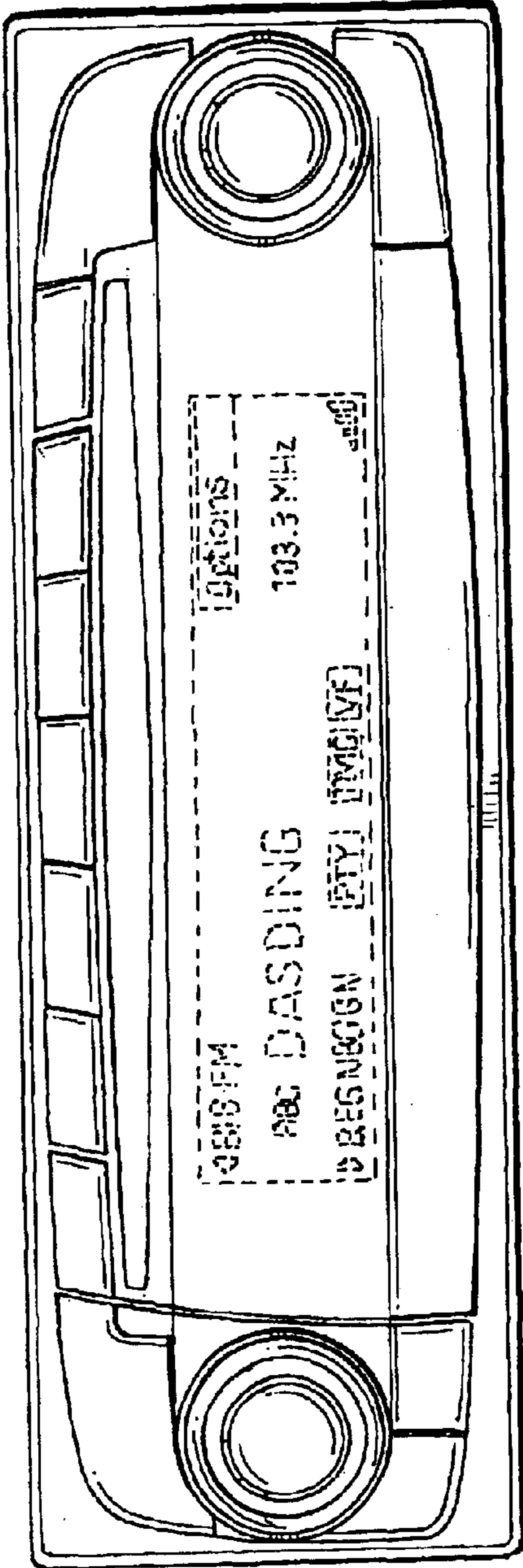


FIG. 2

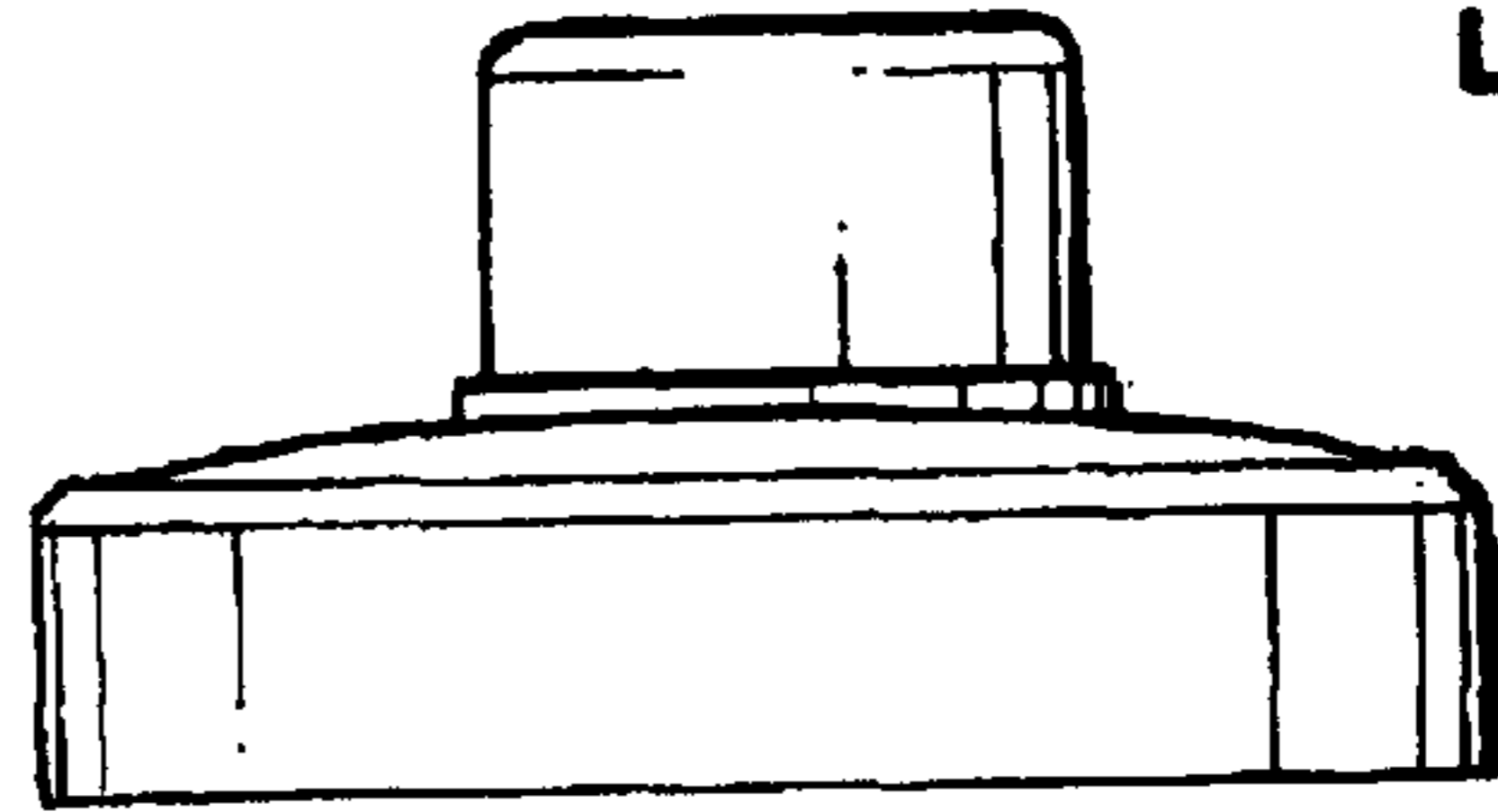


FIG. 3

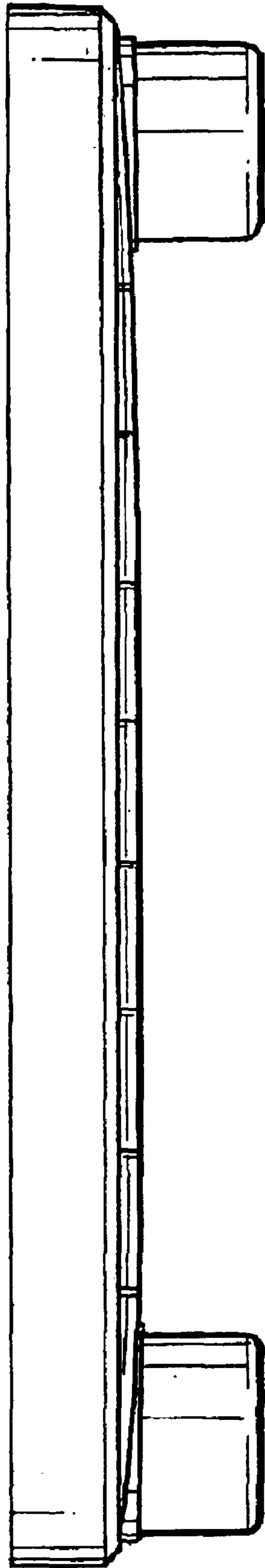


FIG. 4