



US00D491537S

(12) **United States Design Patent**
Whorley

(10) **Patent No.:** **US D491,537 S**
(45) **Date of Patent:** **** Jun. 15, 2004**

(54) **QUICK SET DEVICE FOR MOUNTING ELECTRICAL DEVICES**

5,031,789 A * 7/1991 Dauberger 220/3.9
5,823,821 A 10/1998 Tohanczyn, Jr.
6,170,685 B1 1/2001 Carrier

(75) Inventor: **Thomas A. Whorley**, Mineral Springs, TX (US)

* cited by examiner

(73) Assignee: **Cantex, Inc.**, Mineral Wells, TX (US)

Primary Examiner—Joel Sincavage
(74) *Attorney, Agent, or Firm*—Miles & Stockbridge PC; Edward J. Kondracki

(**) Term: **14 Years**

(21) Appl. No.: **29/190,413**

(22) Filed: **Sep. 22, 2003**

(51) **LOC (7) Cl.** **13-03**

(52) **U.S. Cl.** **D13/154**

(58) **Field of Search** D13/154; 174/53, 174/58; 248/228.1, 906; 220/3.2, 3.9; 411/437

(56) **References Cited**

U.S. PATENT DOCUMENTS

3,876,821	A	*	4/1975	Pringle	174/53
3,955,463	A		5/1976	Hoehn		
3,972,498	A	*	8/1976	Paskert	248/228.7
4,053,198	A		10/1977	Doyle et al.		
4,069,448	A		1/1978	Gernhardt		
4,105,862	A		8/1978	Hoehn		
4,295,003	A		10/1981	Borja et al.		
4,311,422	A		1/1982	Jackovitz		
4,580,699	A		4/1986	Black et al.		
4,972,044	A		11/1990	Kropa		
4,983,285	A		1/1991	Nolen		

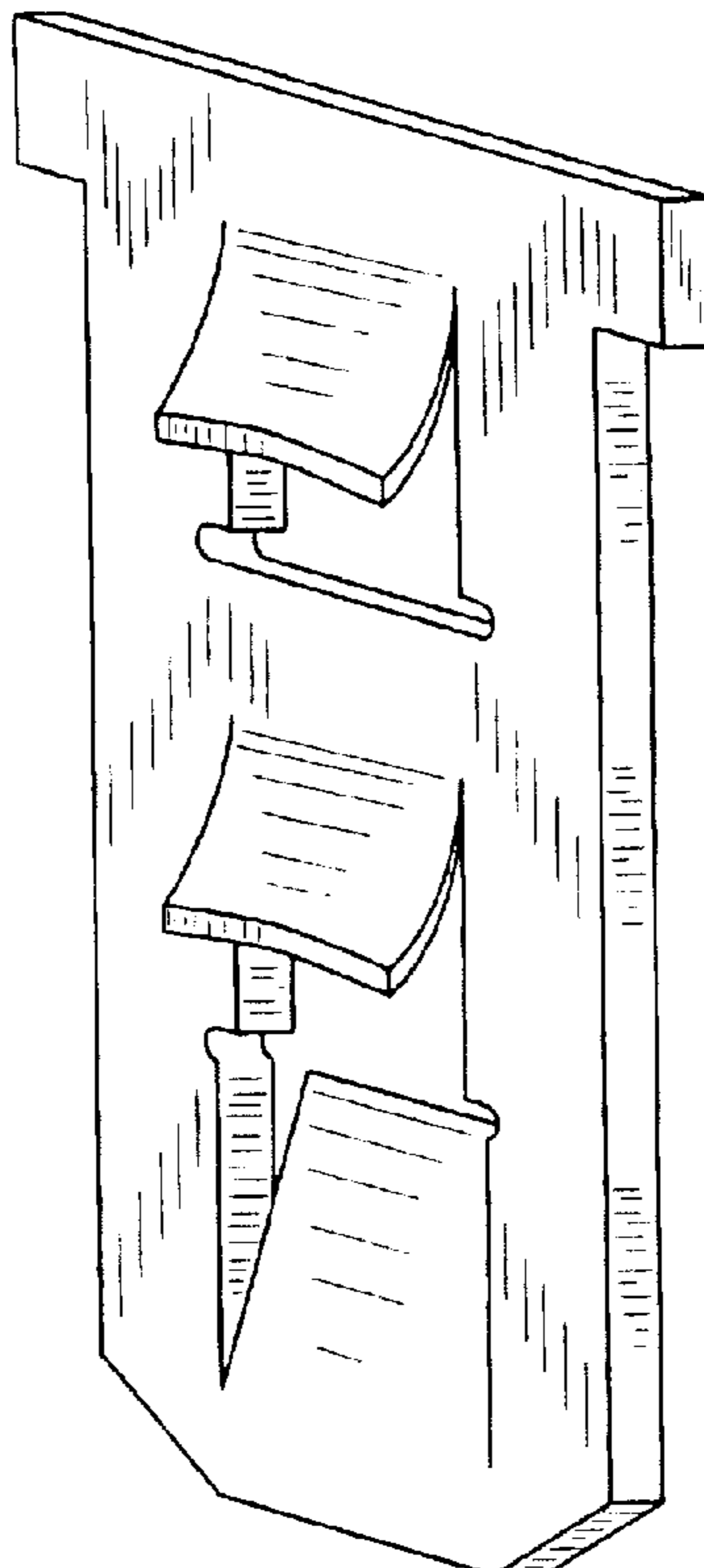
(57) **CLAIM**

The ornamental design for a quick set device for mounting electrical devices, as shown and described.

DESCRIPTION

FIG. 1 is a left side view of the design for a quick set device for mounting electrical devices.
FIG. 2 is a right side view of the design for a quick set device for mounting electrical devices.
FIG. 3 is a rear view of the design for a quick set device for mounting electrical devices.
FIG. 4 is a top view of the design for a quick set device for mounting electrical devices.
FIG. 5 is a bottom view of the design for a quick set device for mounting electrical devices.
FIG. 6 is a front view of the design for a quick set device for mounting electrical devices; and,
FIG. 7 is a perspective view of the design for a quick set device for mounting electrical devices.

1 Claim, 3 Drawing Sheets



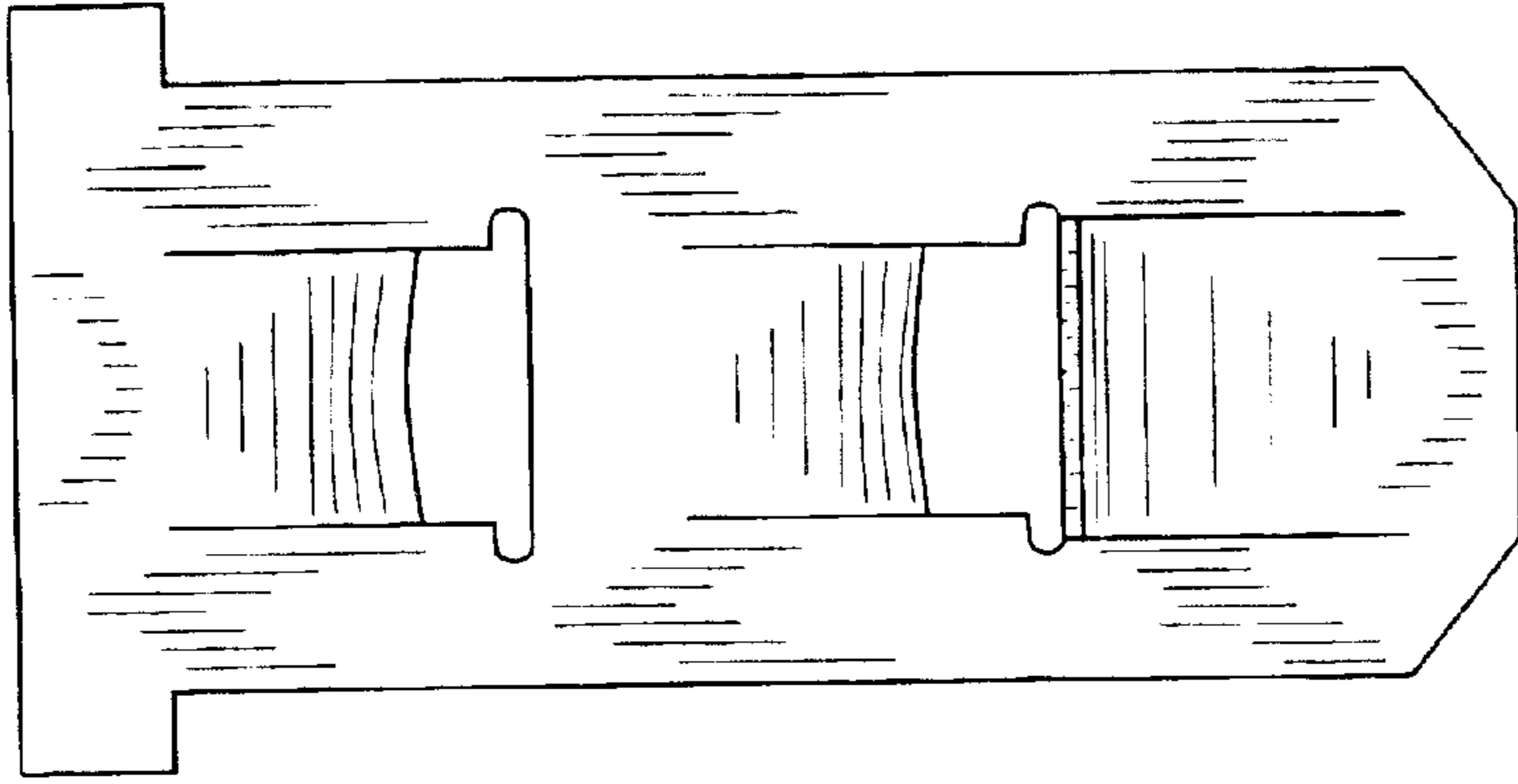


FIG. 3

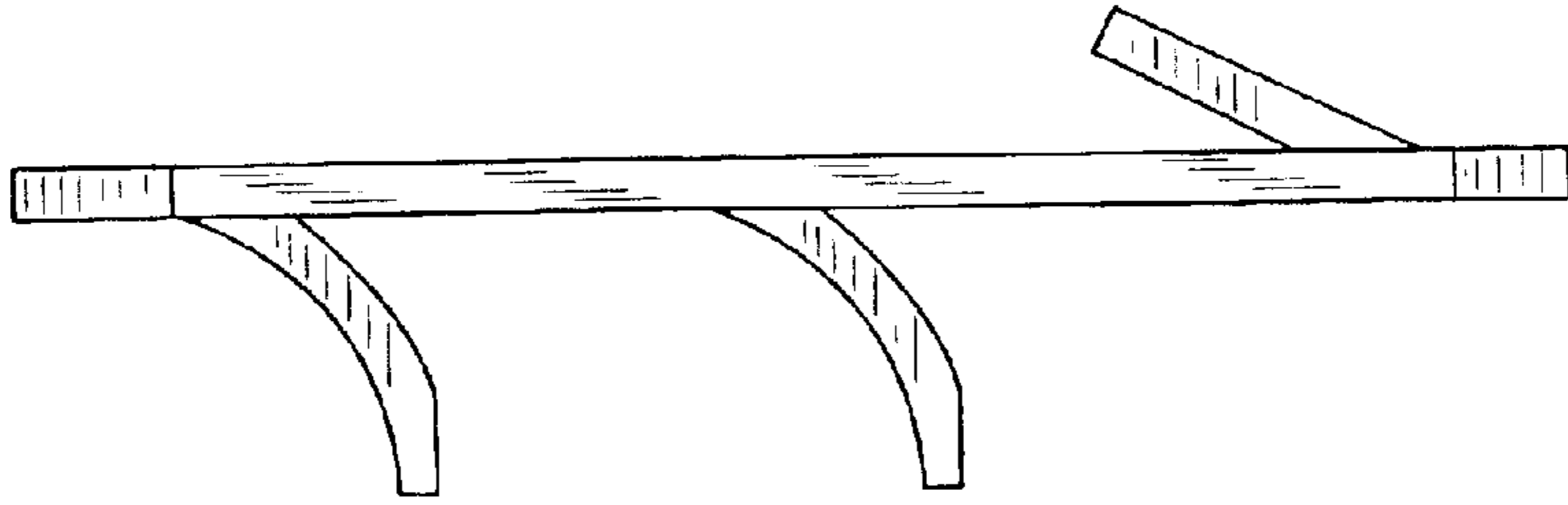


FIG. 2

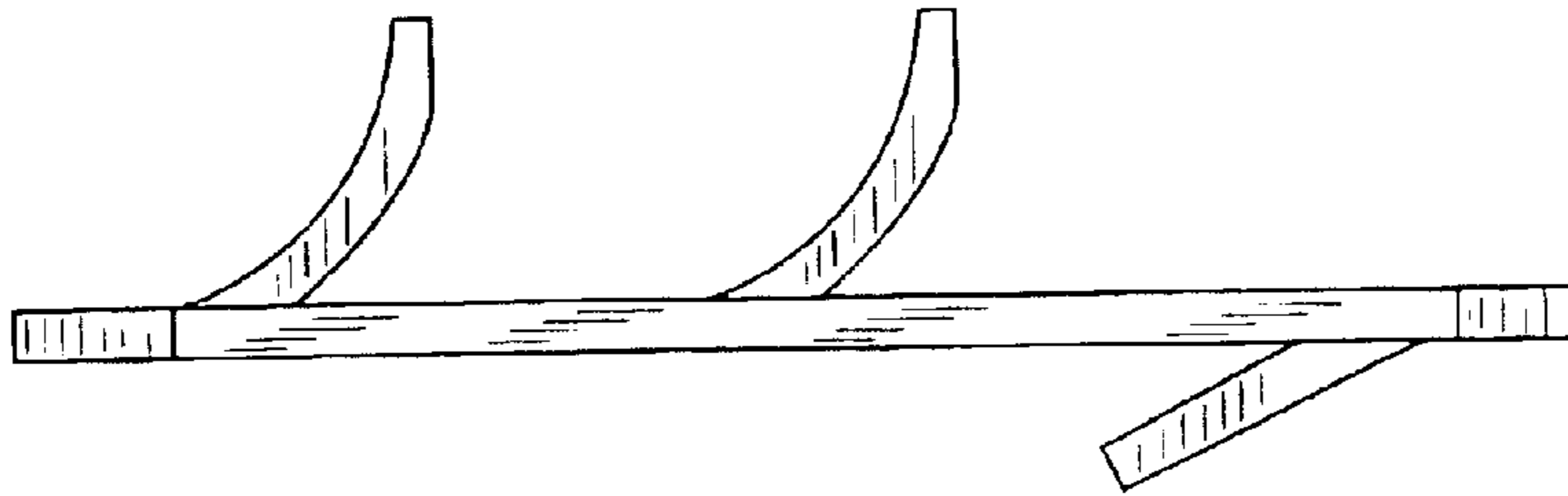


FIG. 1

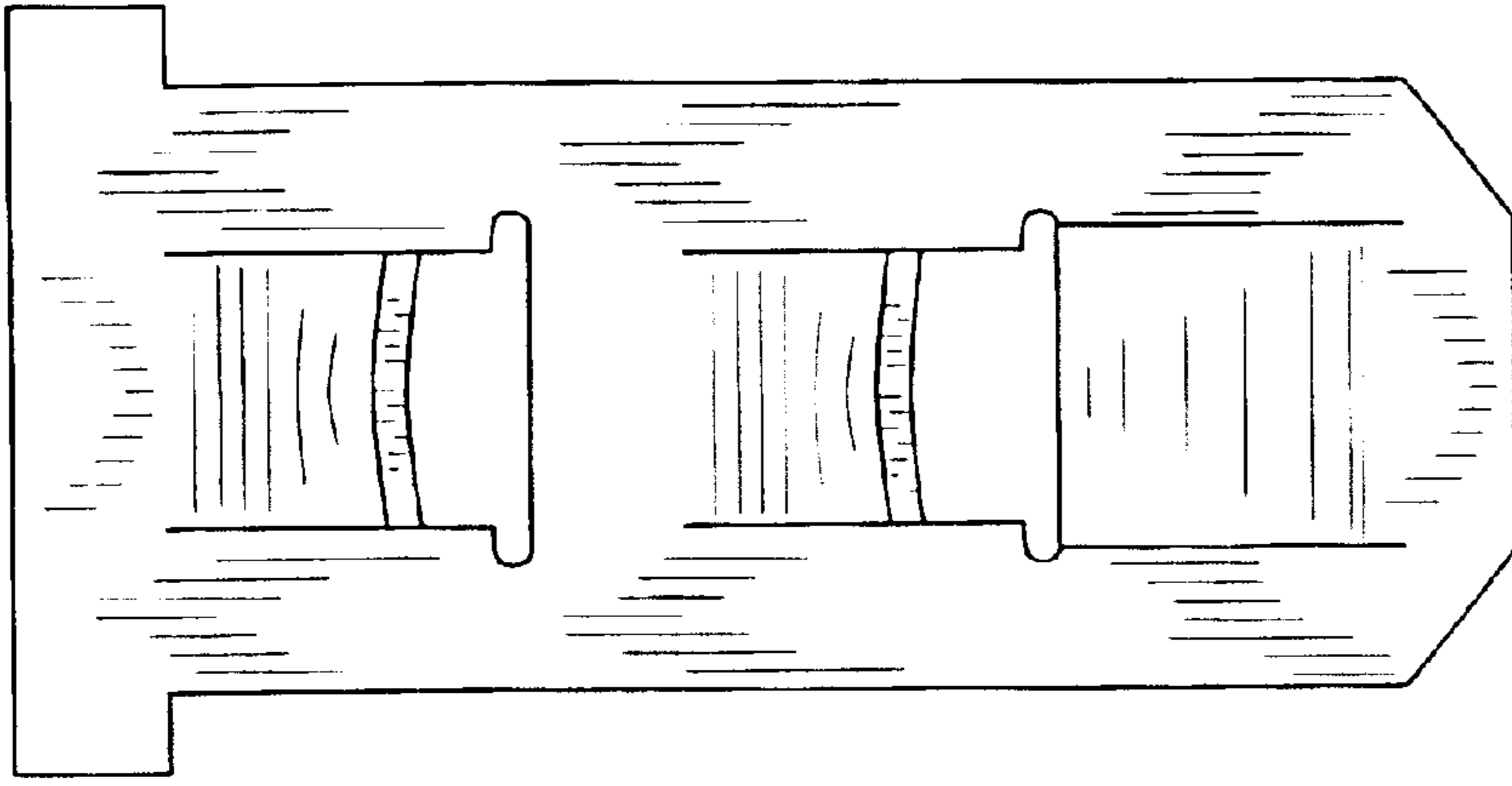


FIG. 6

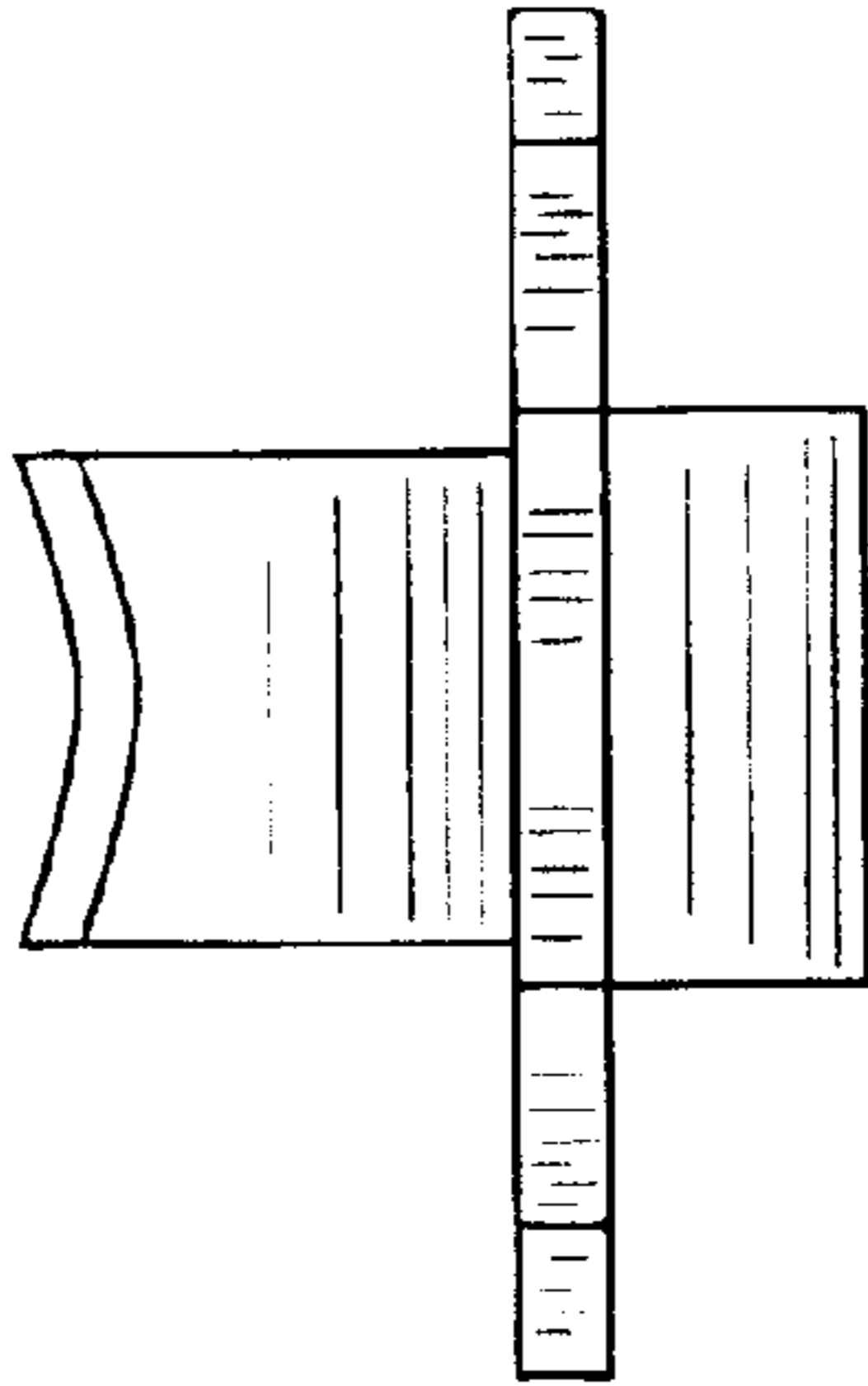


FIG. 5

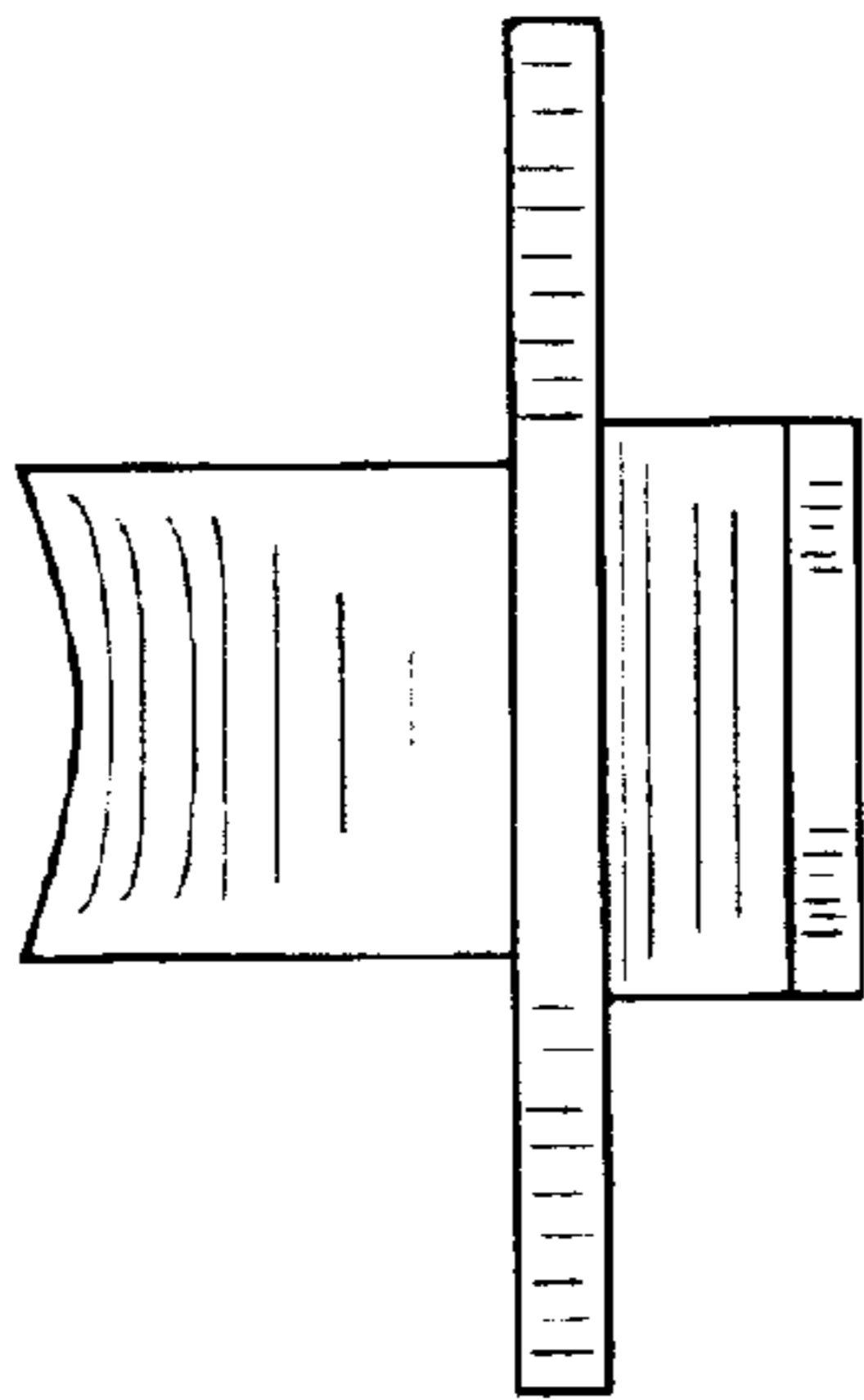


FIG. 4

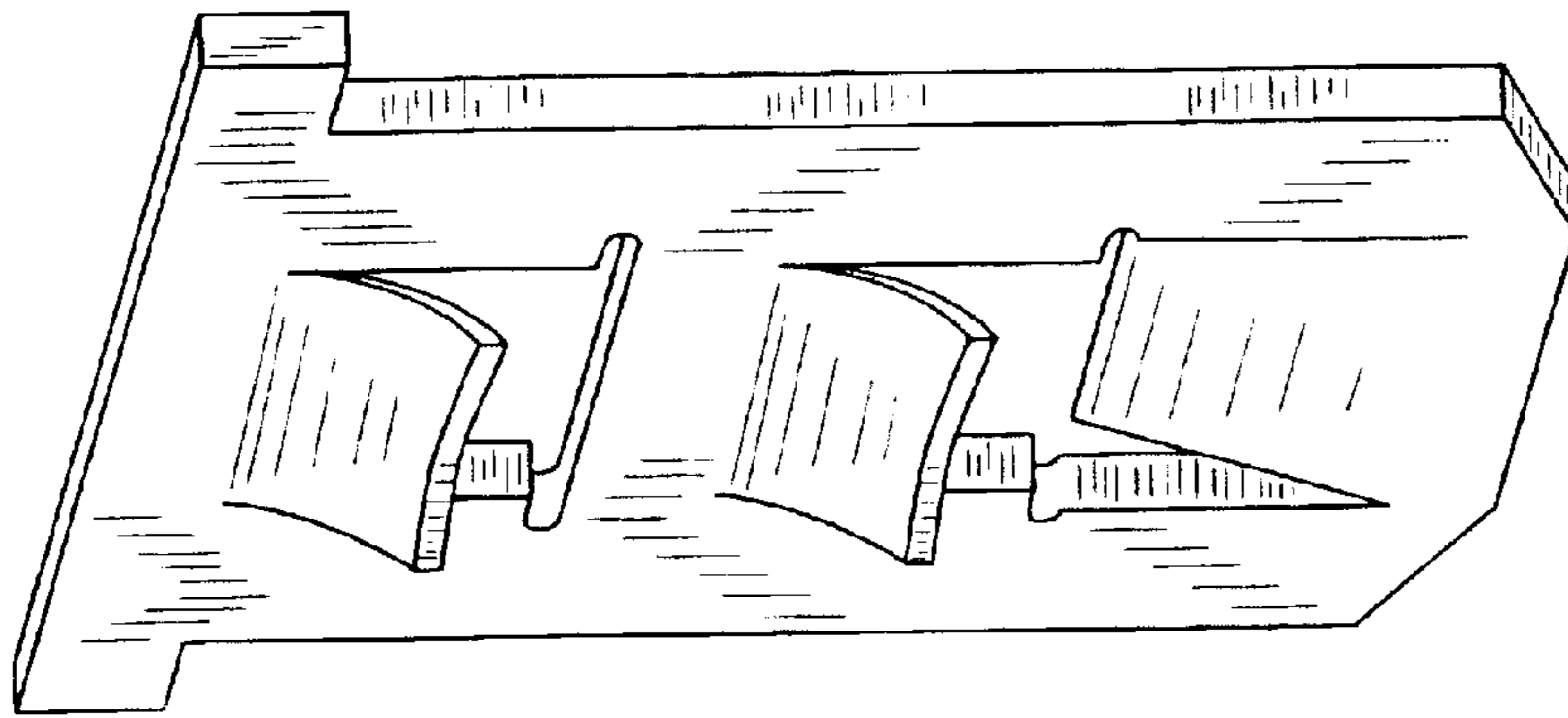


FIG. 7