



US00D491536S

(12) **United States Design Patent**  
**Tai et al.**

(10) **Patent No.: US D491,536 S**

(45) **Date of Patent: \*\* Jun. 15, 2004**

(54) **PULL TAB FOR ELECTRICAL CONNECTOR**

(75) Inventors: **Lung-Sheng Tai**, Tu-chen (TW);  
**Chia-Ming Kuo**, Tu-Chen (TW);  
**Zhen-Da Hung**, T-chen (TW);  
**Hsien-Chu Lin**, Tu-chen (TW)

(73) Assignee: **Hon Hai Precision Ind. Co., Ltd.**,  
Taipei Hsien (TW)

(\*\*) Term: **14 Years**

(21) Appl. No.: **29/182,395**

(22) Filed: **May 23, 2003**

(51) **LOC (7) Cl. .... 13-03**

(52) **U.S. Cl. .... D13/154**

(58) **Field of Search .... D13/154; 439/160,**  
439/476.1, 483, 484

(56) **References Cited**

**U.S. PATENT DOCUMENTS**

- 2,476,735 A \* 7/1949 Johnson ..... 439/160
- 2,989,721 A \* 6/1961 Steiner ..... 439/476.1
- 4,310,208 A \* 1/1982 Webster et al. .... 439/483 X
- 4,696,528 A \* 9/1987 Harnois ..... 439/160
- 5,085,596 A \* 2/1992 Bowen et al. .... 439/497

- 5,586,906 A \* 12/1996 Staros et al. .... 439/483
- 2002/0031926 A1 \* 3/2002 Takahashi et al. .... 439/152

\* cited by examiner

*Primary Examiner*—Joel Sincavage  
(74) *Attorney, Agent, or Firm*—Wei Te Chung

(57) **CLAIM**

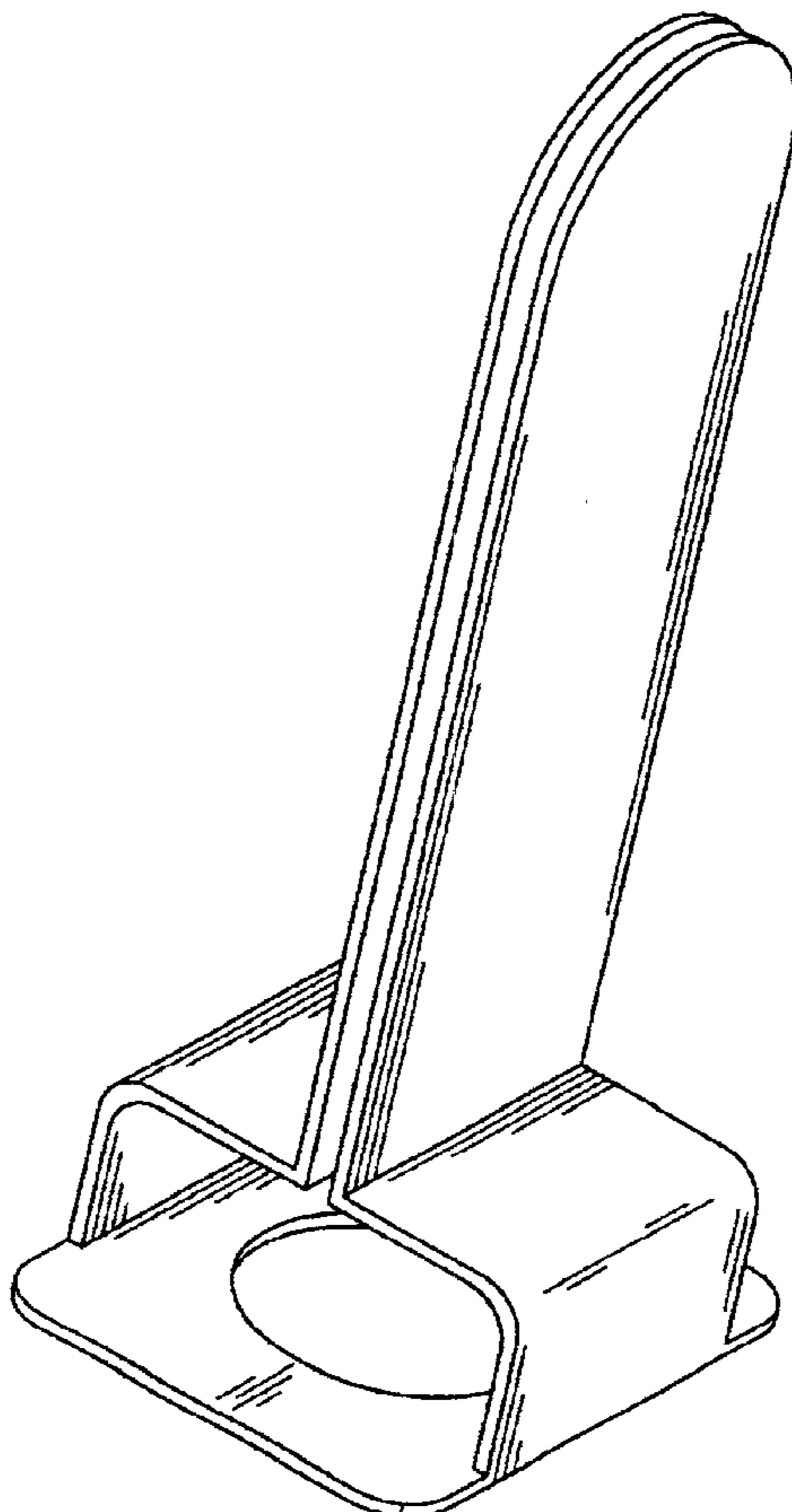
The ornamental design for a pull tab for electrical connector,  
as shown and described.

**DESCRIPTION**

FIG. 1 is a front, top and right side perspective view of a pull  
tab for electrical connector;  
FIG. 2 is a front elevational view thereof;  
FIG. 3 is a rear elevational view thereof;  
FIG. 4 is a left side elevational view thereof;  
FIG. 5 is a right side elevational view thereof;  
FIG. 6 is a top plan view thereof;  
FIG. 7 is a bottom plan view thereof; and,  
FIG. 8 is an assembled view of a pull tab for electrical  
connector.

The electrical connector shown in phantom lines in FIG. 8  
is for illustrative purposes only and forms no part of the  
claimed invention.

**1 Claim, 8 Drawing Sheets**



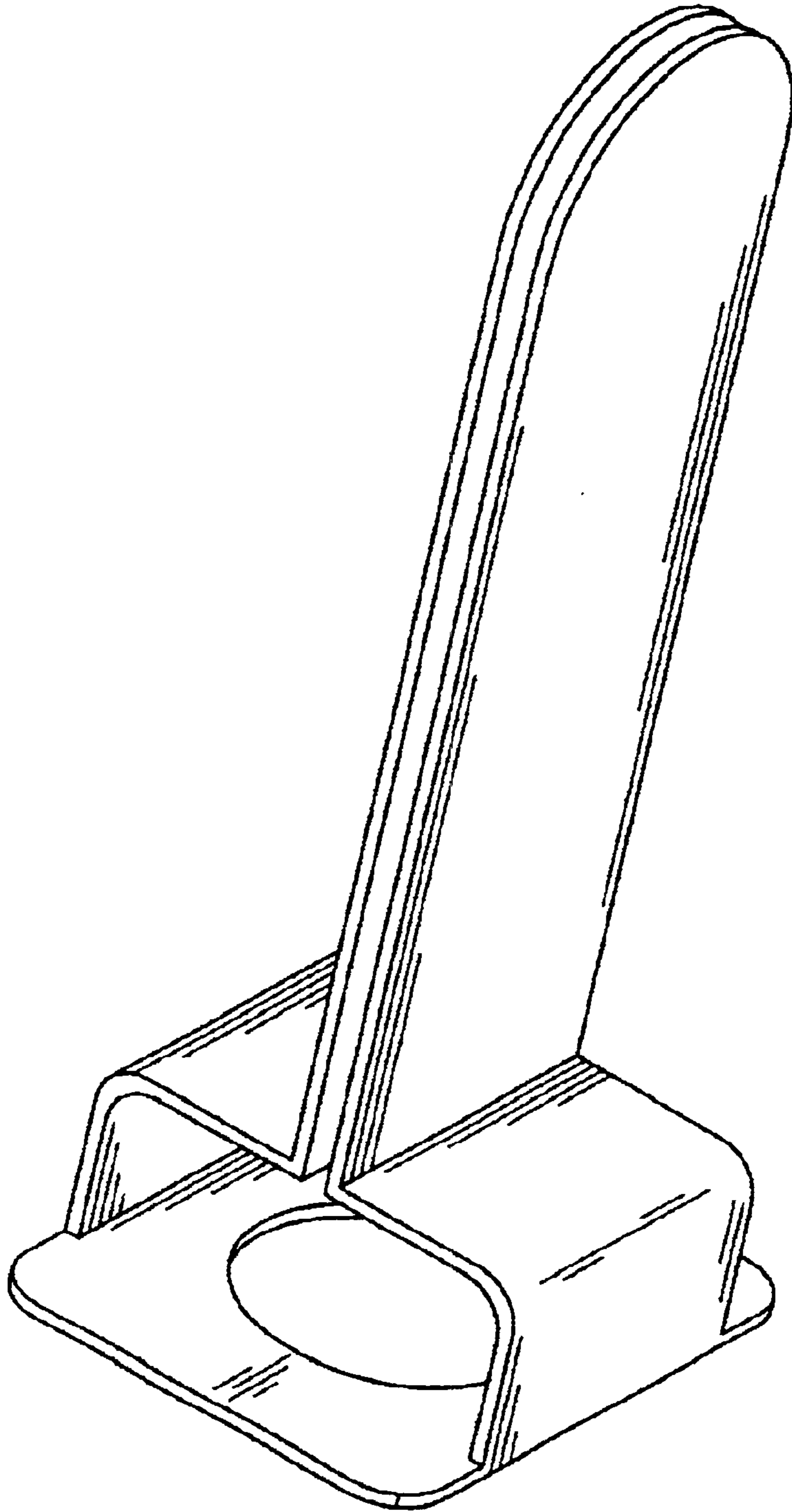


FIG. 1

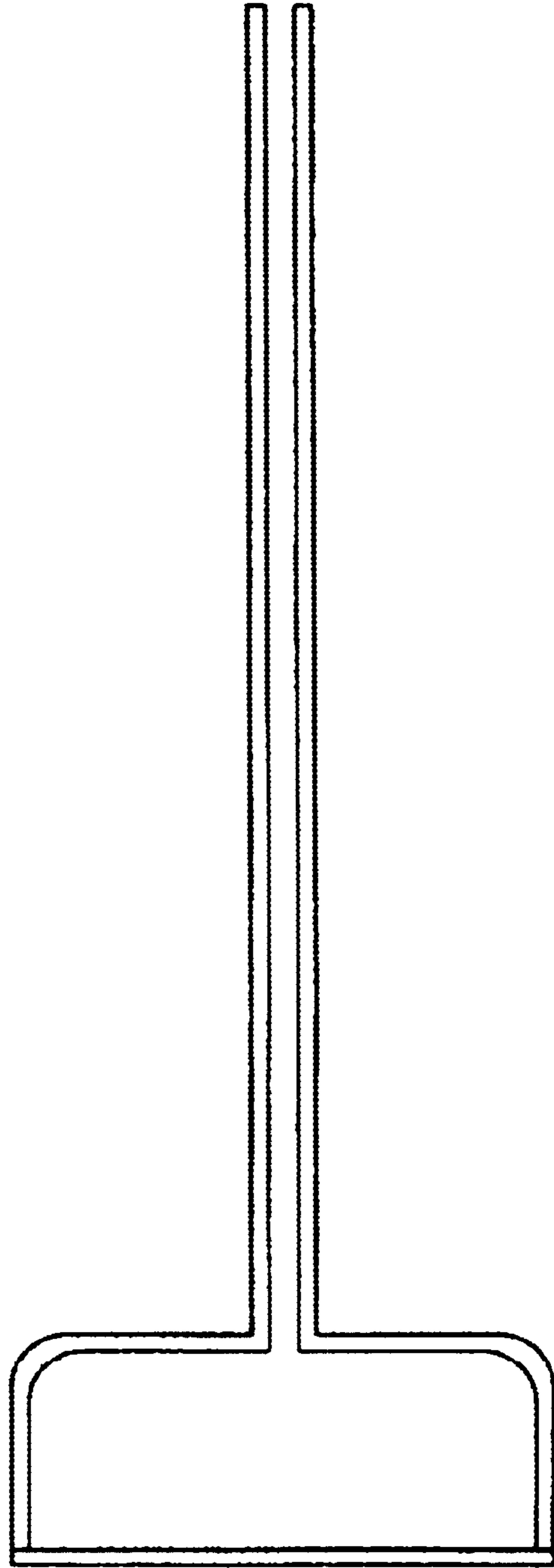


FIG. 2

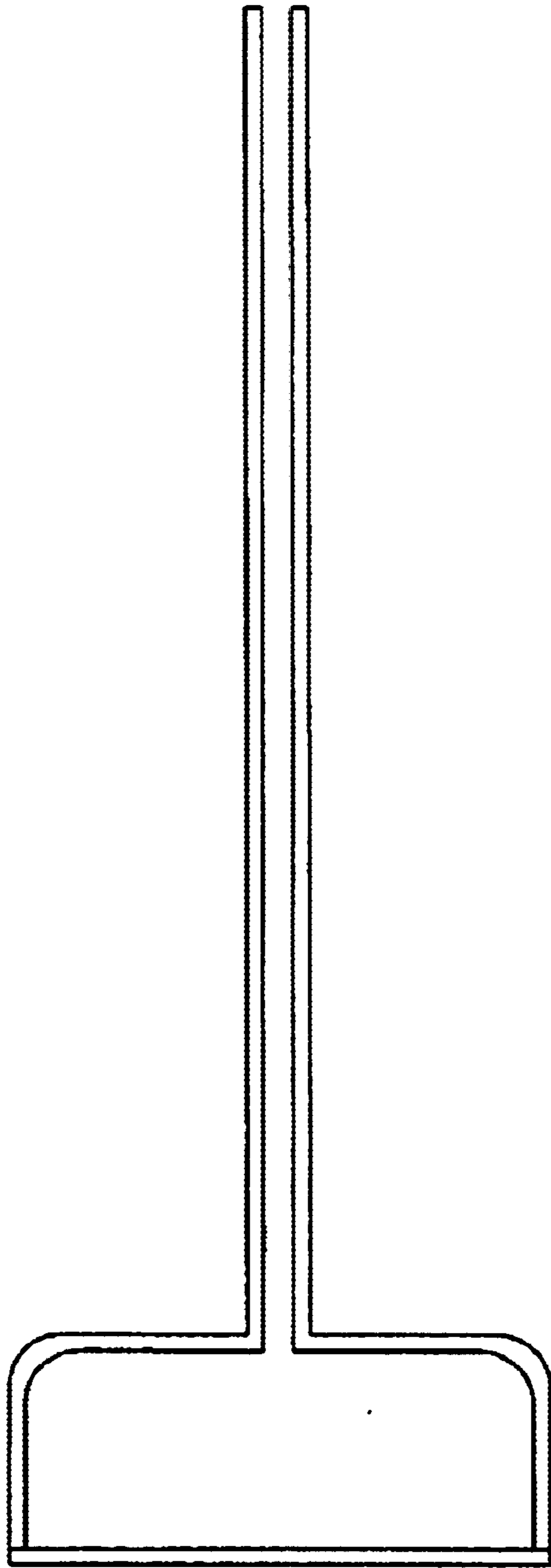


FIG. 3

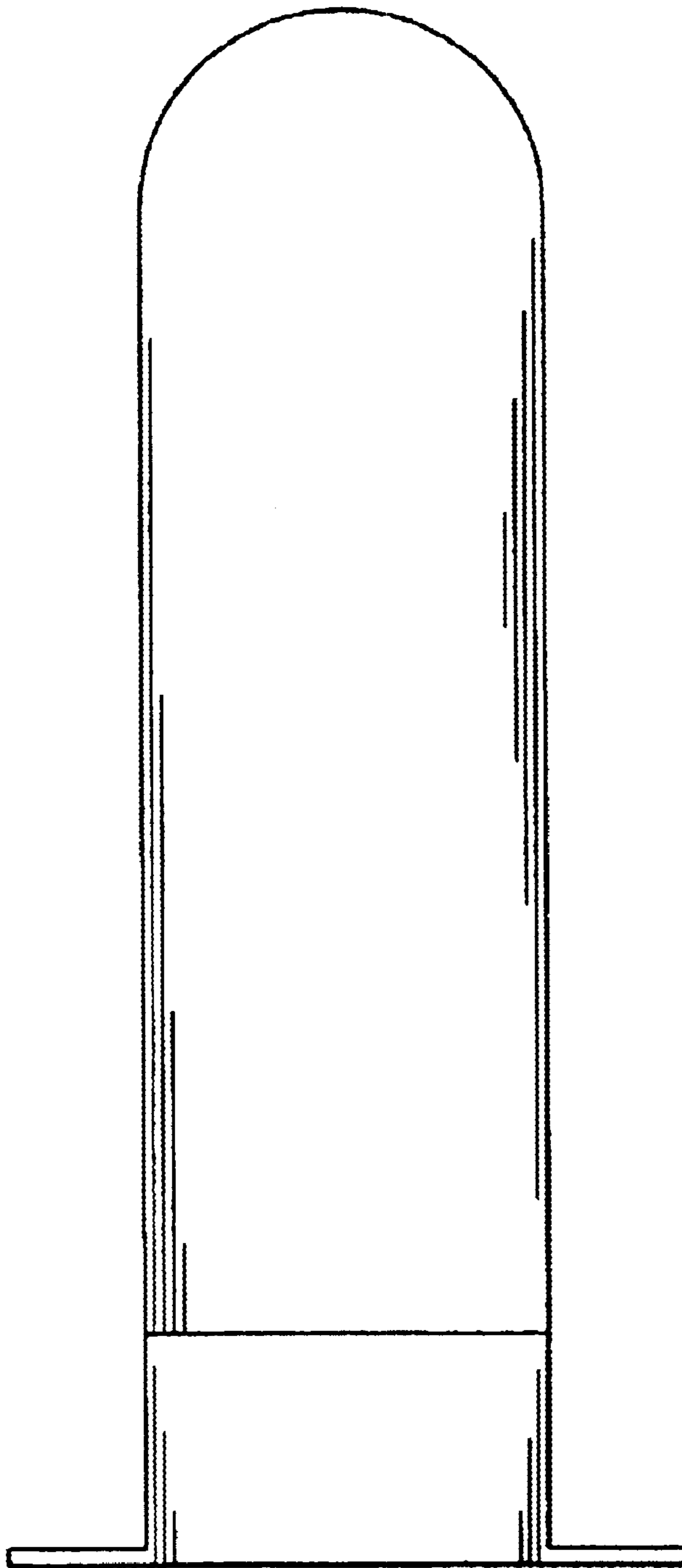


FIG. 4

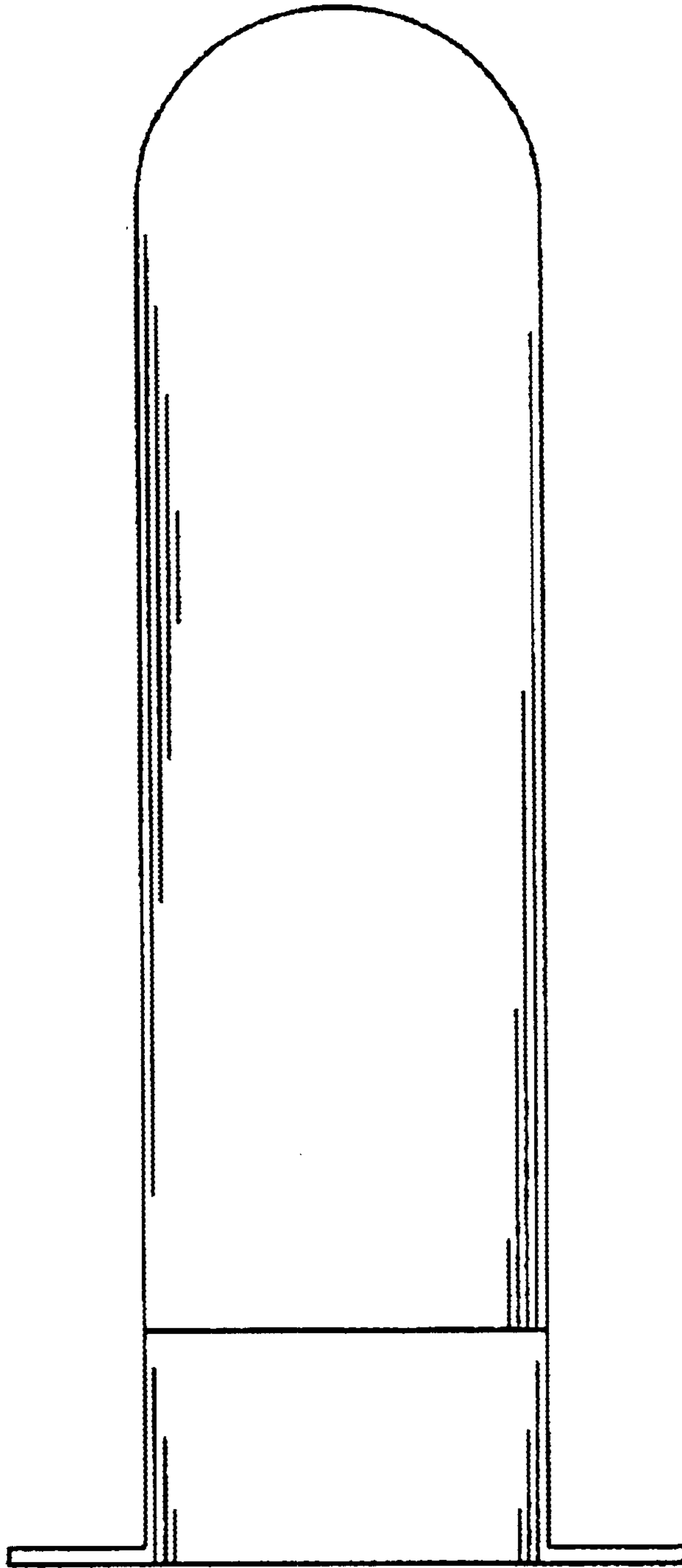


FIG. 5

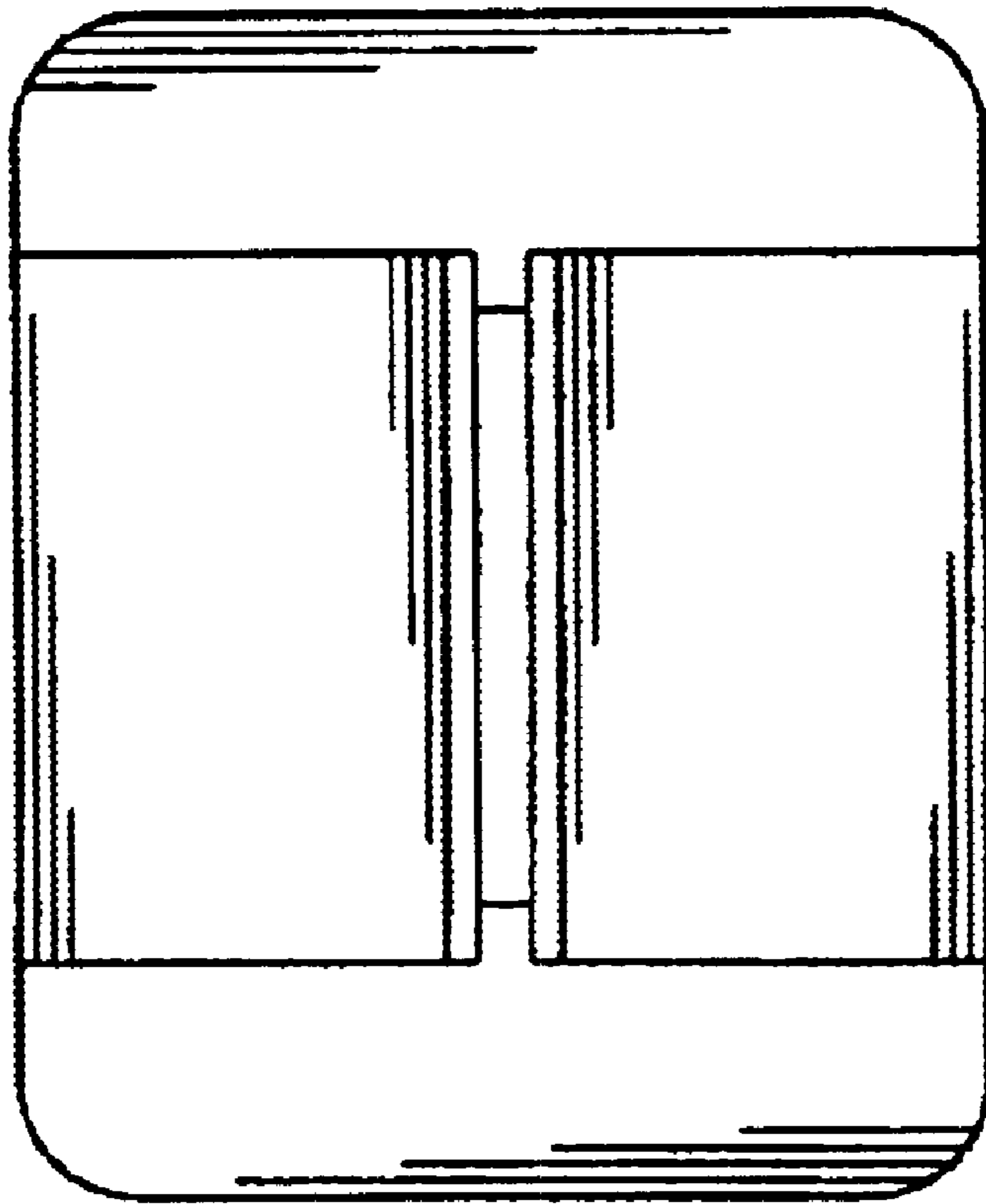


FIG. 6

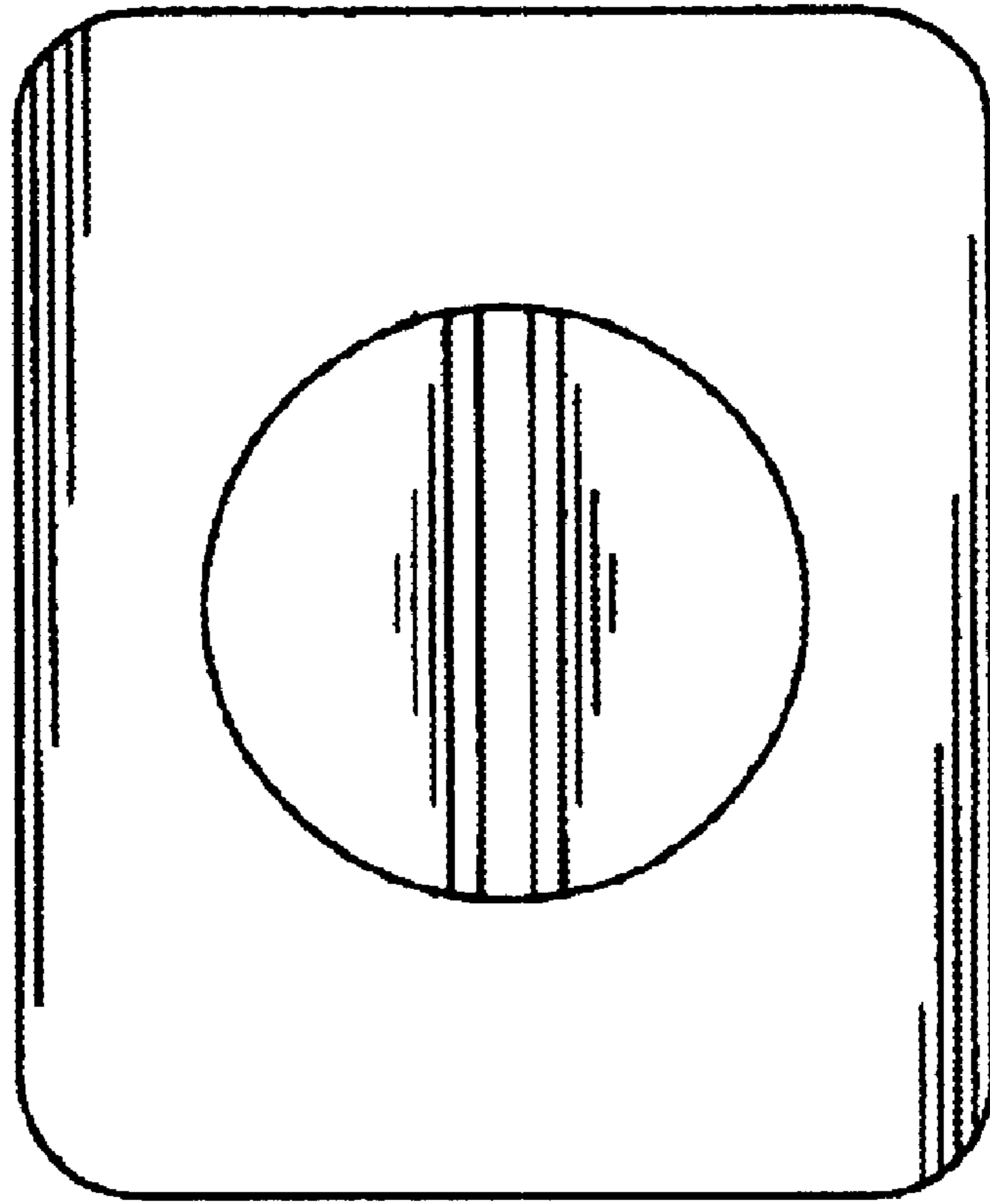


FIG. 7



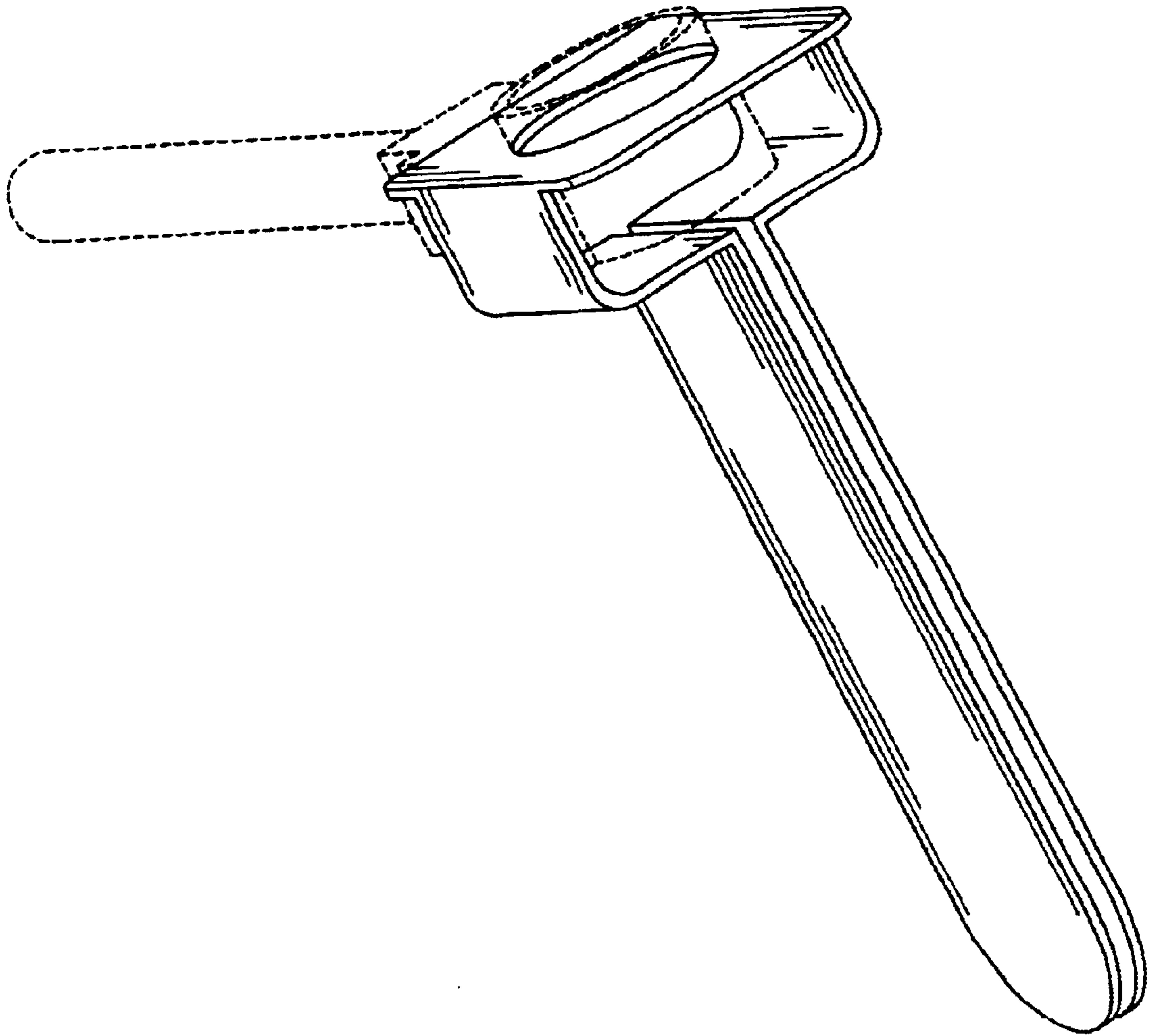


FIG. 8