



US00D491535S

(12) **United States Design Patent**  
**Chien**

(10) **Patent No.:** **US D491,535 S**

(45) **Date of Patent:** **\*\* Jun. 15, 2004**

(54) **HOLDING DEVICE OF AN ELECTRICAL CONNECTOR**

6,354,858 B1 \* 3/2002 Cooper et al. .... 439/327  
6,356,450 B1 \* 3/2002 Andreasen et al. .... 439/358 X

(75) Inventor: **Min-Lung Chien**, Taipei (TW)

\* cited by examiner

(73) Assignee: **Advanced Connectek, Inc.**, Taipei (TW)

*Primary Examiner*—Joel Sincavage  
(74) *Attorney, Agent, or Firm*—Johnson, Lin & Associates; Chauncey B. Johnson, Esq.

(\*\*) Term: **14 Years**

(57) **CLAIM**

(21) Appl. No.: **29/170,678**

The ornamental design for a holding device of an electrical connector, as shown and described.

(22) Filed: **Nov. 12, 2002**

**DESCRIPTION**

(30) **Foreign Application Priority Data**

Jul. 18, 2002 (TW) ..... 91303789

(51) **LOC (7) Cl.** ..... **13-03**

(52) **U.S. Cl.** ..... **D13/154**

(58) **Field of Search** ..... D13/154; 439/327, 439/358, 940

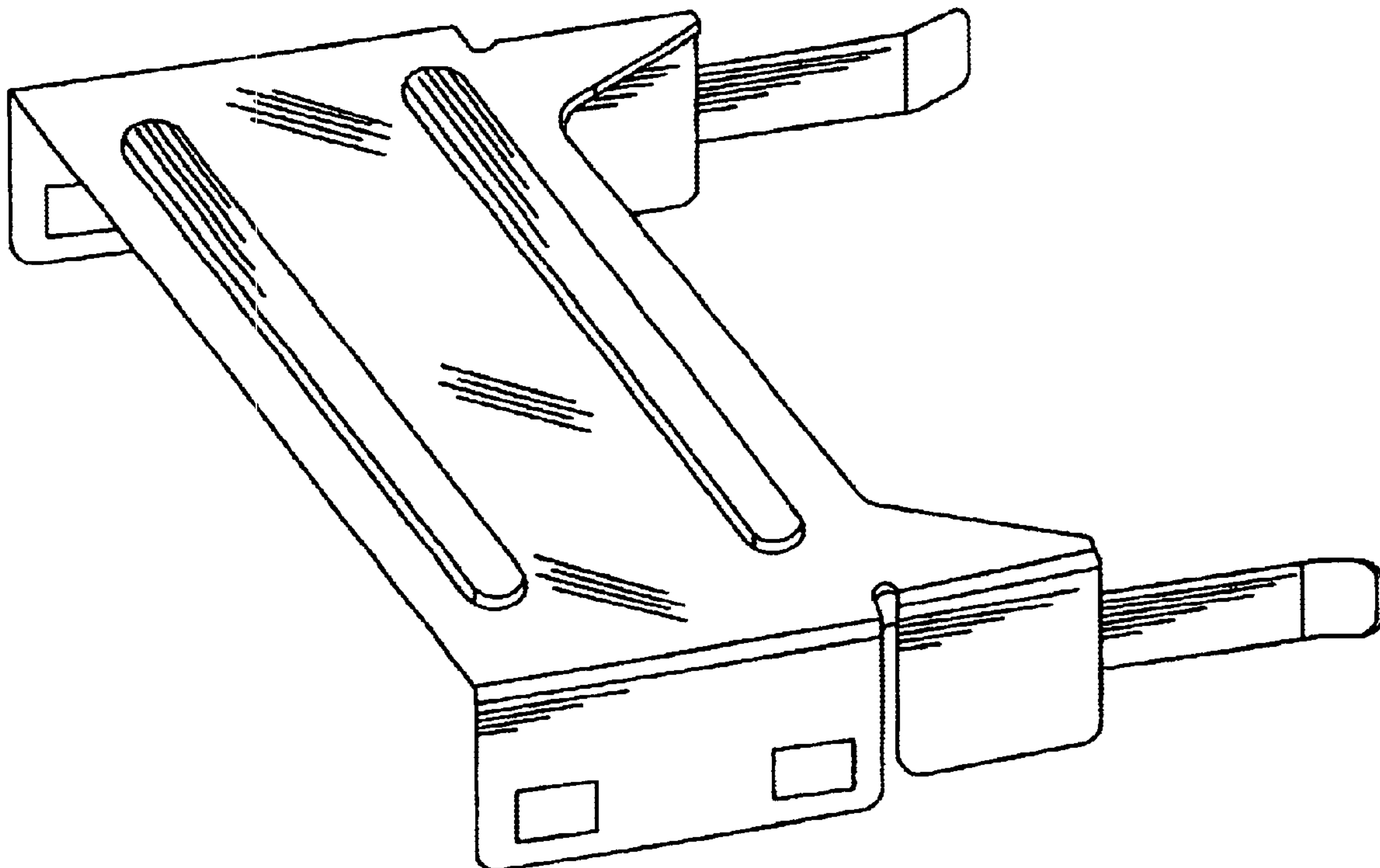
FIG. 1 is a perspective view of a holding device of an electrical connector showing our new design;  
FIG. 2 is a front view of the holding device of an electrical connector shown in FIG. 1;  
FIG. 3 is a rear view of the holding device of an electrical connector shown in FIG. 1;  
FIG. 4 is a left side view of the holding device of an electrical connector shown in FIG. 1;  
FIG. 5 is a right side view of the holding device of an electrical connector shown in FIG. 1;  
FIG. 6 is a top view of the holding device of an electrical connector shown in FIG. 1; and,  
FIG. 7 is a bottom view of the holding device of an electrical connector shown in FIG. 1.

(56) **References Cited**

**U.S. PATENT DOCUMENTS**

- 4,970,353 A \* 11/1990 Kotz ..... D13/156 X
- 5,055,971 A \* 10/1991 Fudala et al. .... 439/940 X
- 5,827,075 A \* 10/1998 Futatsugi et al. .... 439/79
- 6,120,303 A \* 9/2000 Tung ..... 439/940 X
- 6,146,155 A \* 11/2000 Boling et al. .... 439/940 X
- 6,176,727 B1 \* 1/2001 Liu et al. .... 439/358

**1 Claim, 4 Drawing Sheets**



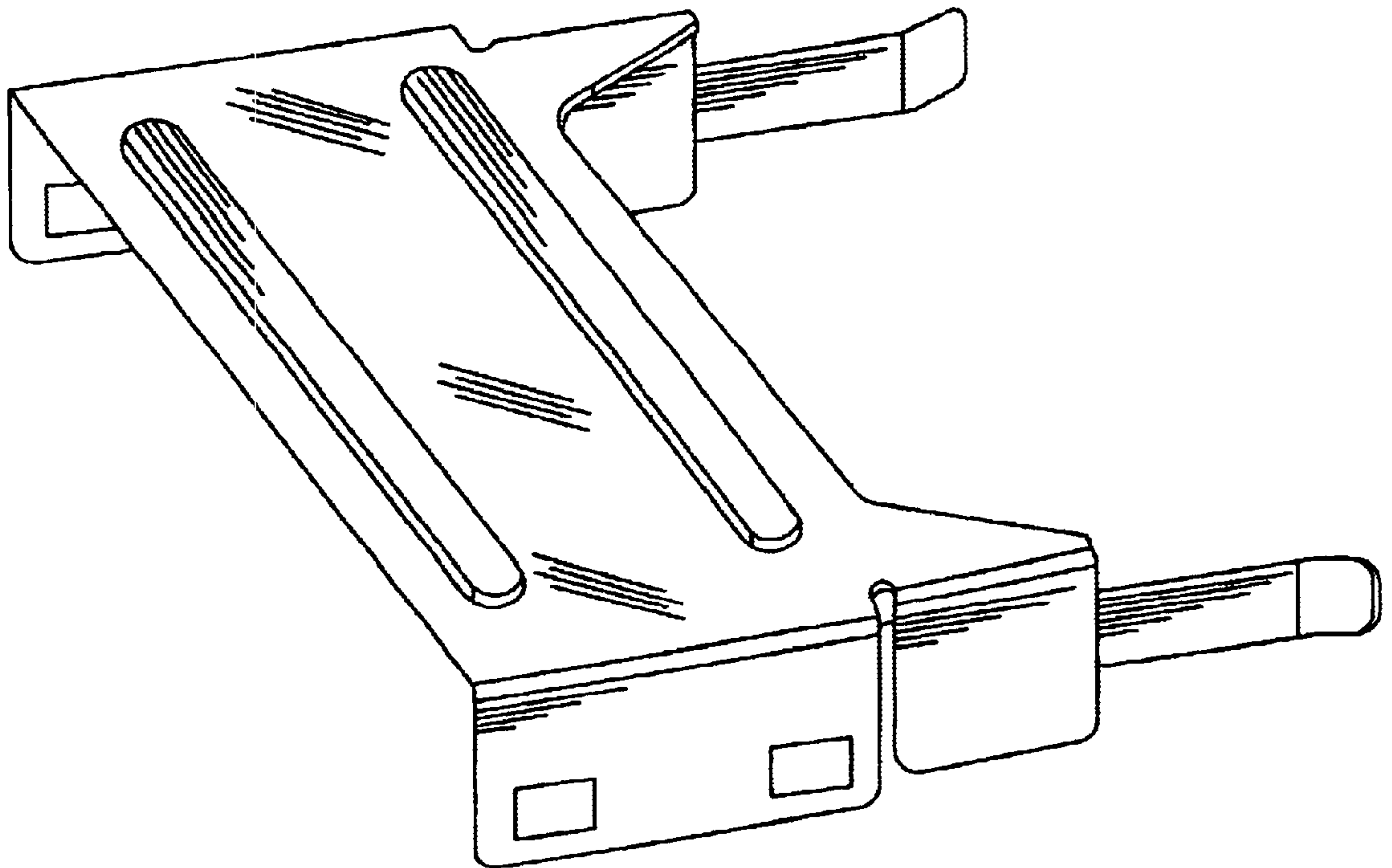


FIG.1



FIG. 2

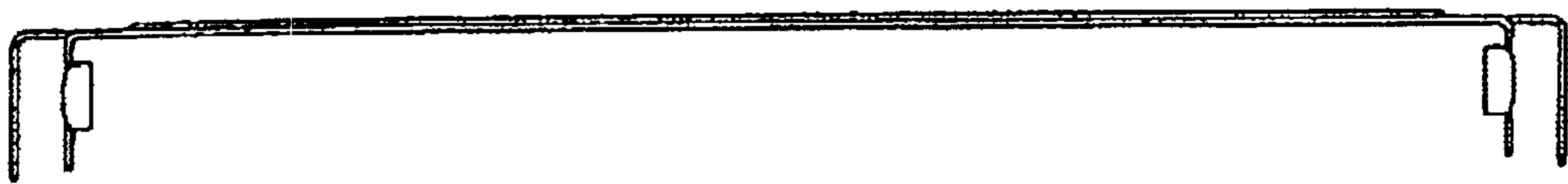


FIG. 3

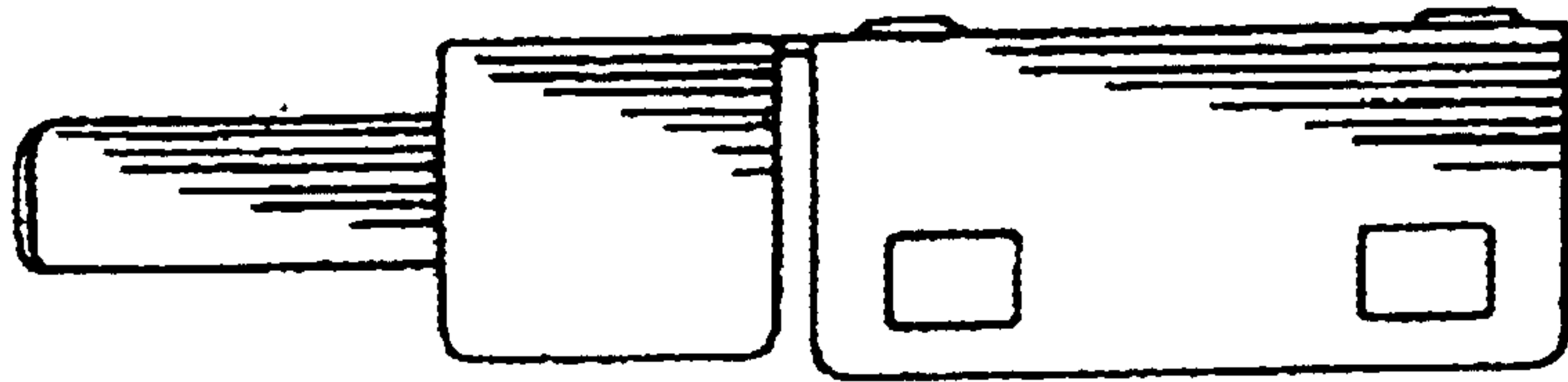


FIG. 4

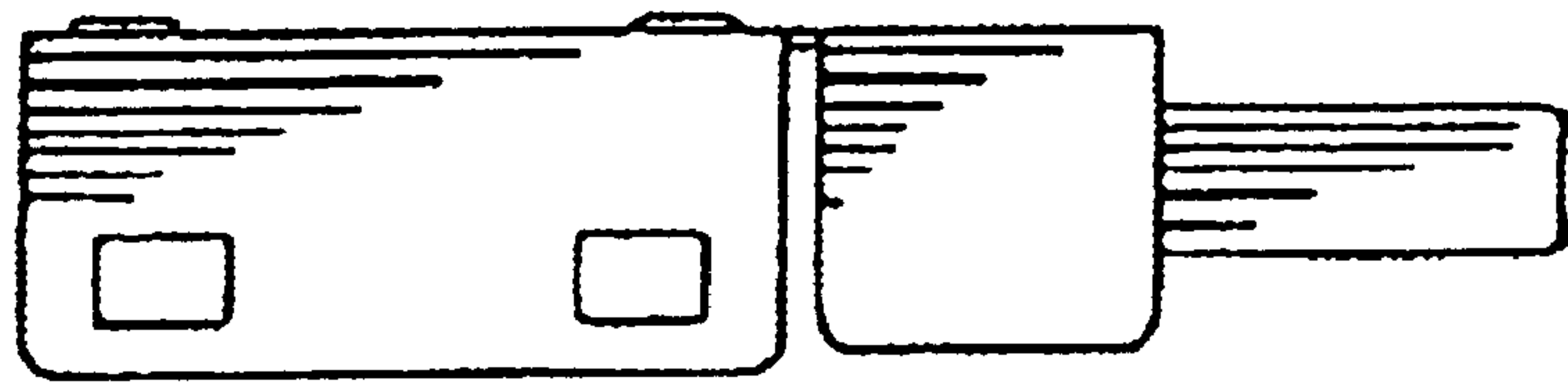


FIG. 5

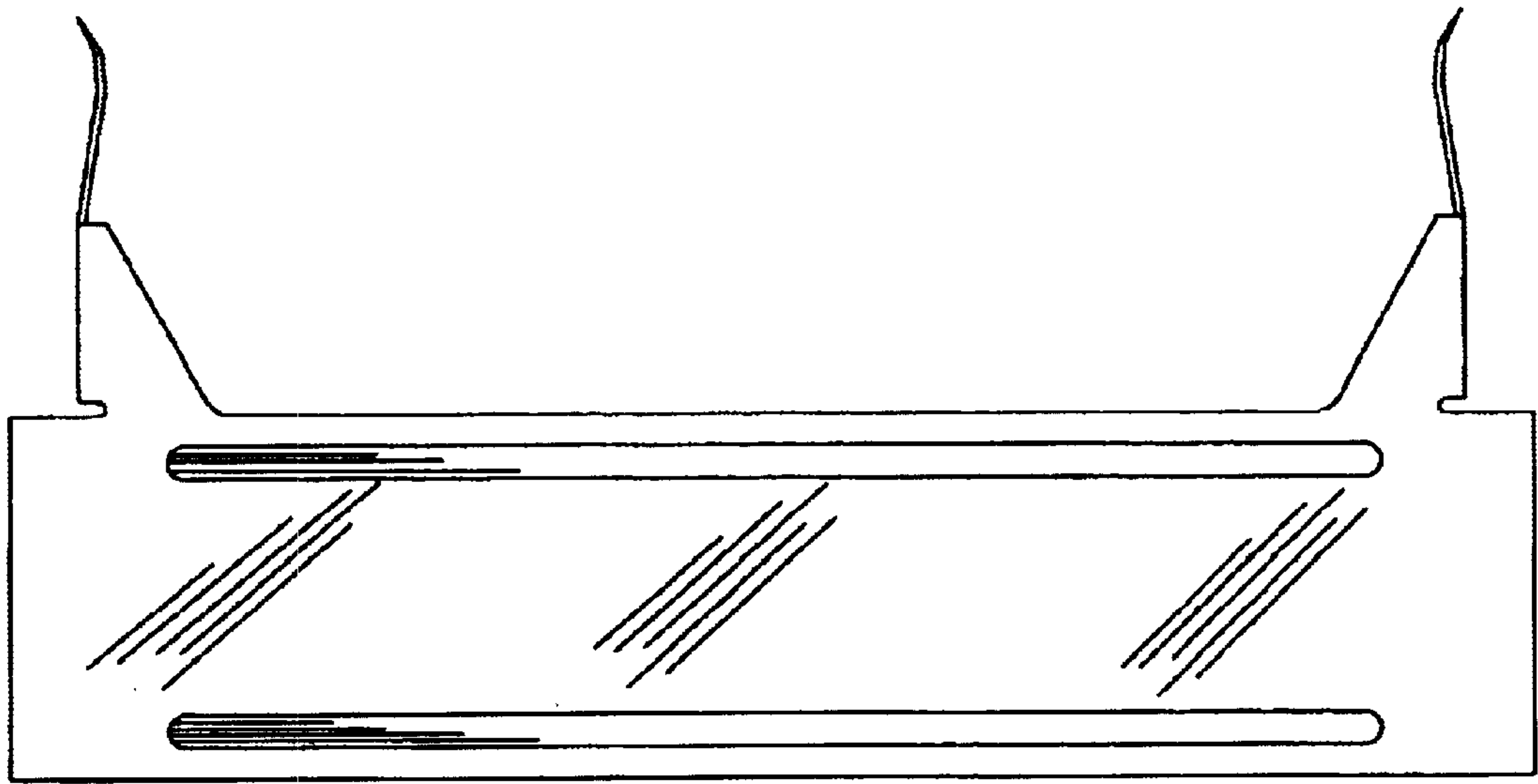


FIG. 6

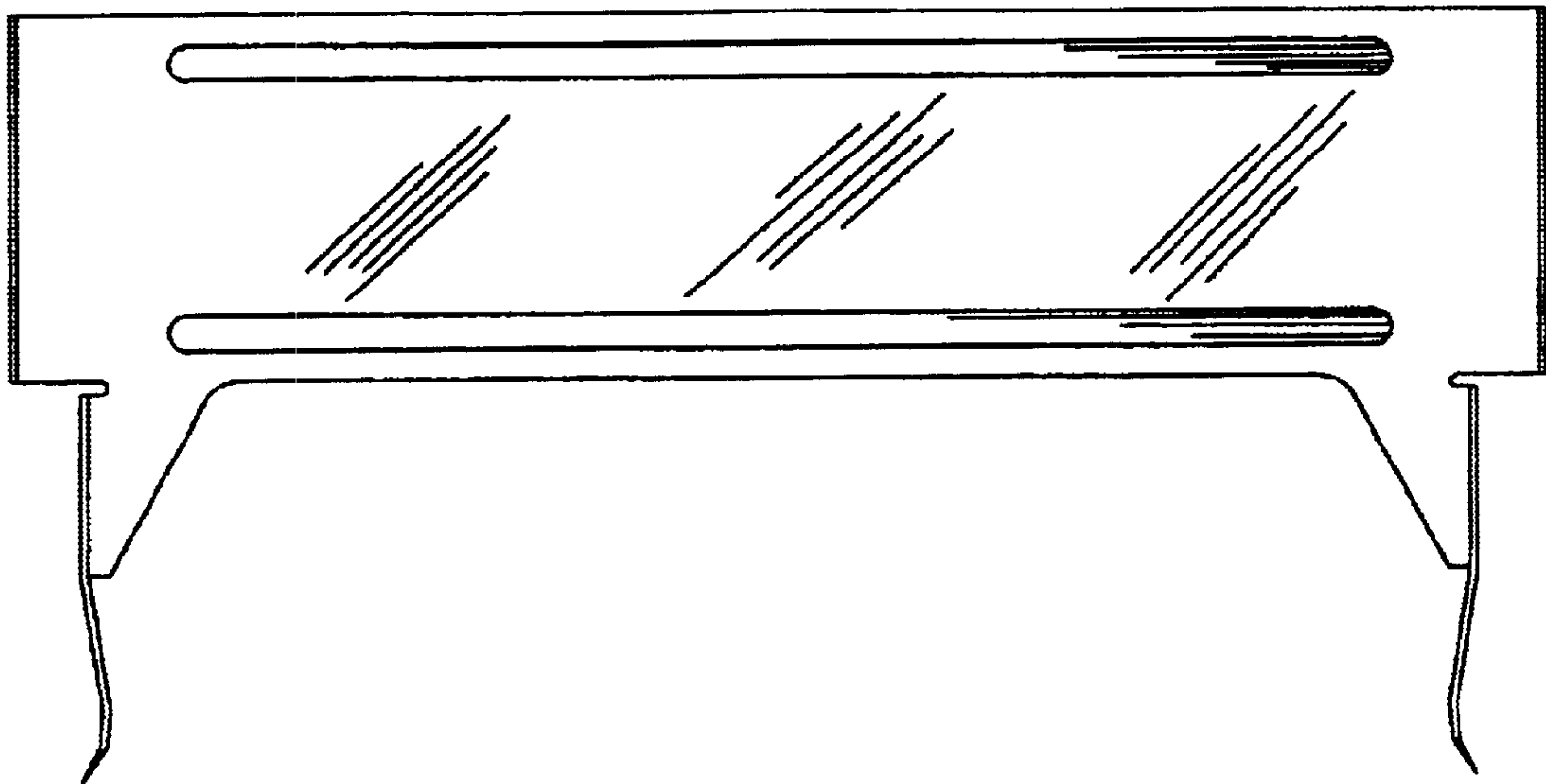


FIG. 7