



US00D491534S

(12) **United States Design Patent**
Ko

(10) **Patent No.:** **US D491,534 S**

(45) **Date of Patent:** **** Jun. 15, 2004**

- (54) **CABLE END CONNECTOR ASSEMBLY**
- (75) Inventor: **David Tso-Chin Ko**, Cypress, CA (US)
- (73) Assignee: **Hon Hai Precision Ind. Co., Ltd.**,
Taipei Hsien (TW)
- (**) Term: **14 Years**
- (21) Appl. No.: **29/189,837**
- (22) Filed: **Sep. 10, 2003**

5,645,454 A * 7/1997 Kosmala 439/675
 6,257,912 B1 * 7/2001 Boillot et al. 439/329
 D449,820 S * 10/2001 Lee D13/147
 D457,496 S * 5/2002 Ko D13/133
 6,575,761 B1 * 6/2003 Regnier 439/63

* cited by examiner

Primary Examiner—Philip S. Hyder
Assistant Examiner—Selina Sikder
 (74) *Attorney, Agent, or Firm*—Wei Te Chung

Related U.S. Application Data

- (63) Continuation-in-part of application No. 10/431,148, filed on May 6, 2003.
- (51) **LOC (7) Cl.** **13-03**
- (52) **U.S. Cl.** **D13/147**
- (58) **Field of Search** D13/133, 146,
D13/147, 154; 439/63, 352, 353, 357, 358,
581, 582, 585, 607–610, 638, 677–681,
842, 851, 852, 854, 857, 902

References Cited

U.S. PATENT DOCUMENTS

4,710,138 A * 12/1987 Bradley et al. 439/581

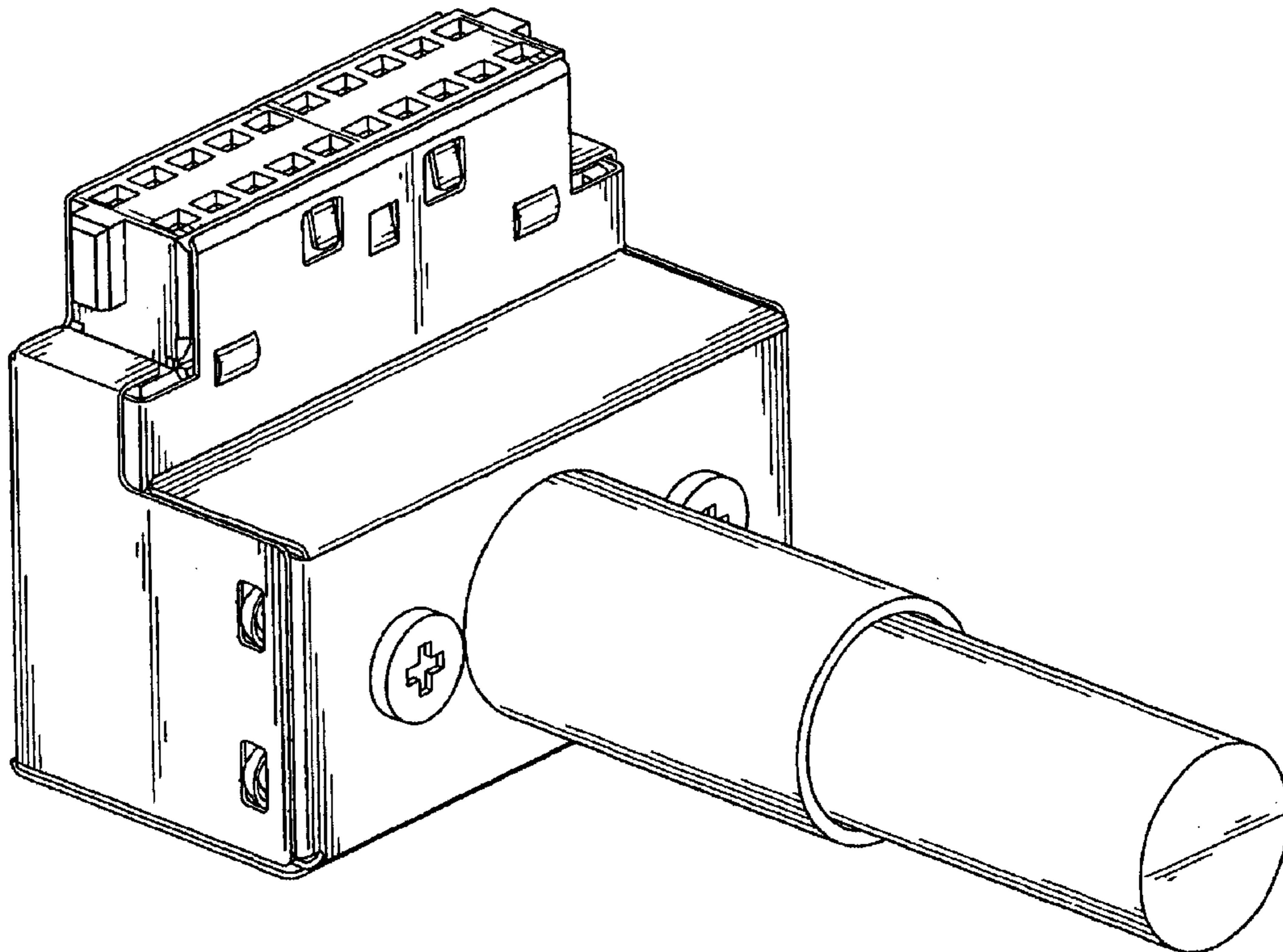
(57) **CLAIM**

The ornamental design for a cable end connector assembly, as shown.

DESCRIPTION

FIG. 1 is a front, top and left side perspective view of a cable end connector assembly showing a new design;
 FIG. 2 is a front elevational view thereof;
 FIG. 3 is rear elevational view thereof;
 FIG. 4 is left side elevational view thereof;
 FIG. 5 is a right side elevational view thereof;
 FIG. 6 is a top plan view thereof; and,
 FIG. 7 is a bottom plan view thereof.

1 Claim, 7 Drawing Sheets



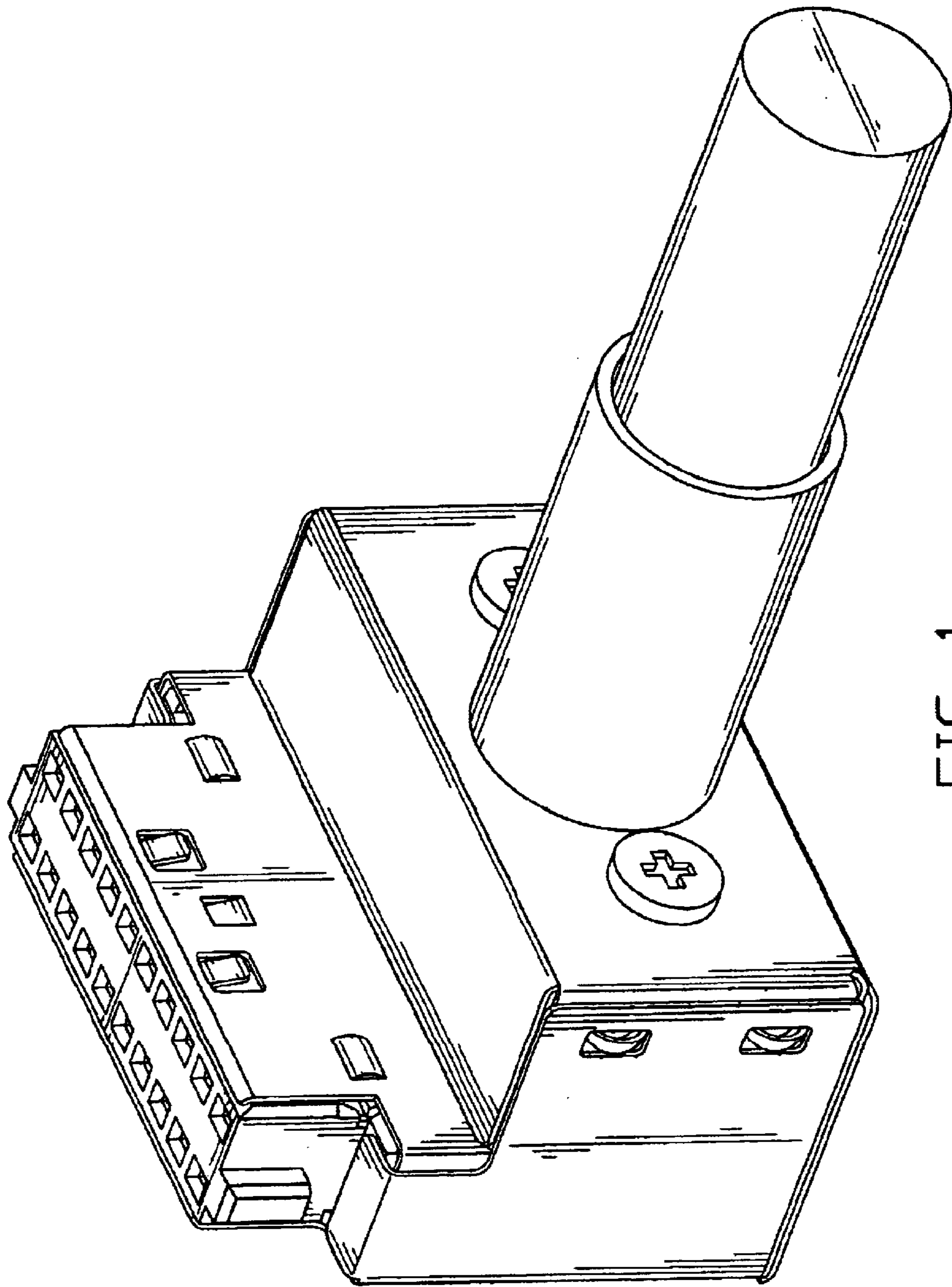


FIG. 1

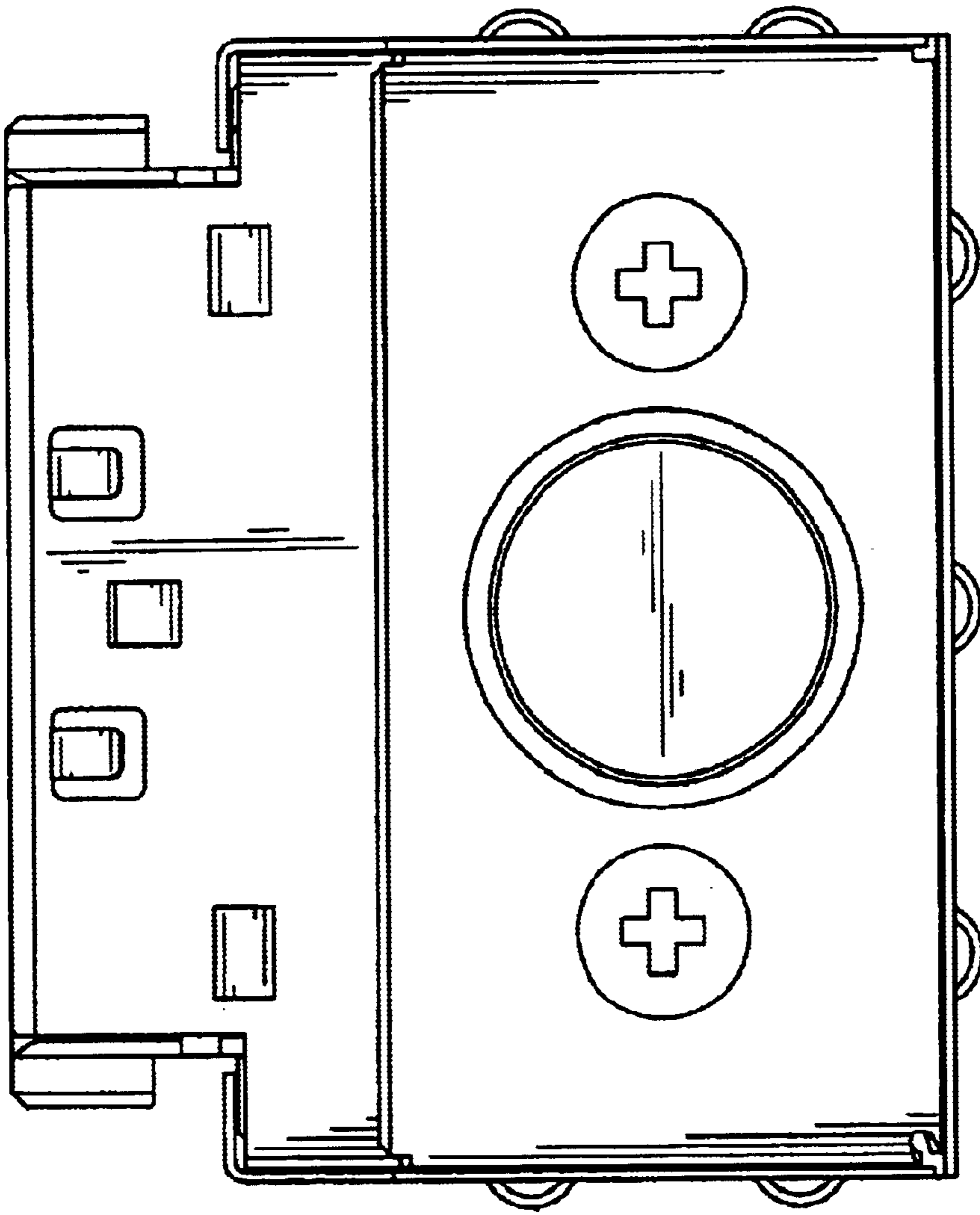


FIG. 2

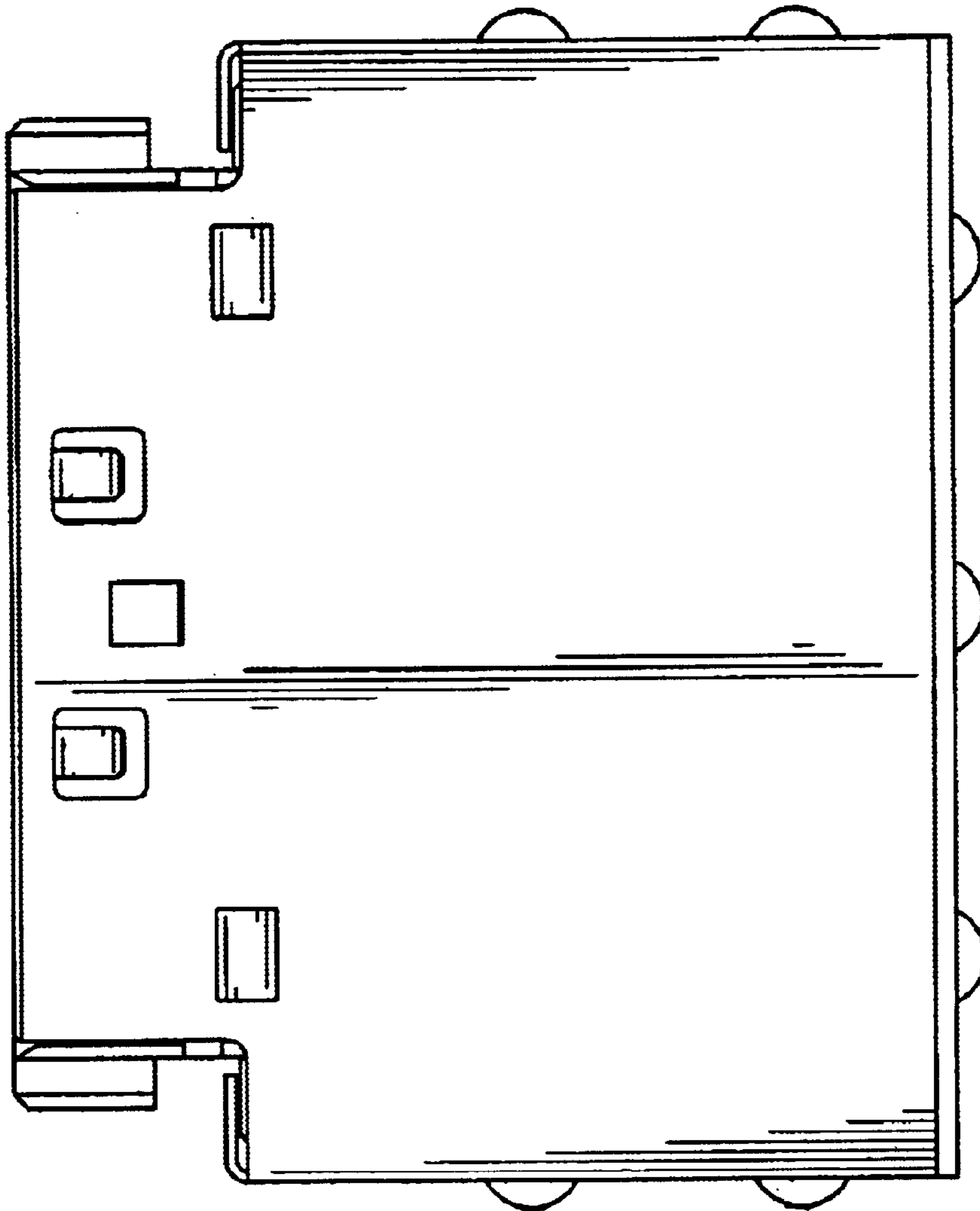


FIG. 3

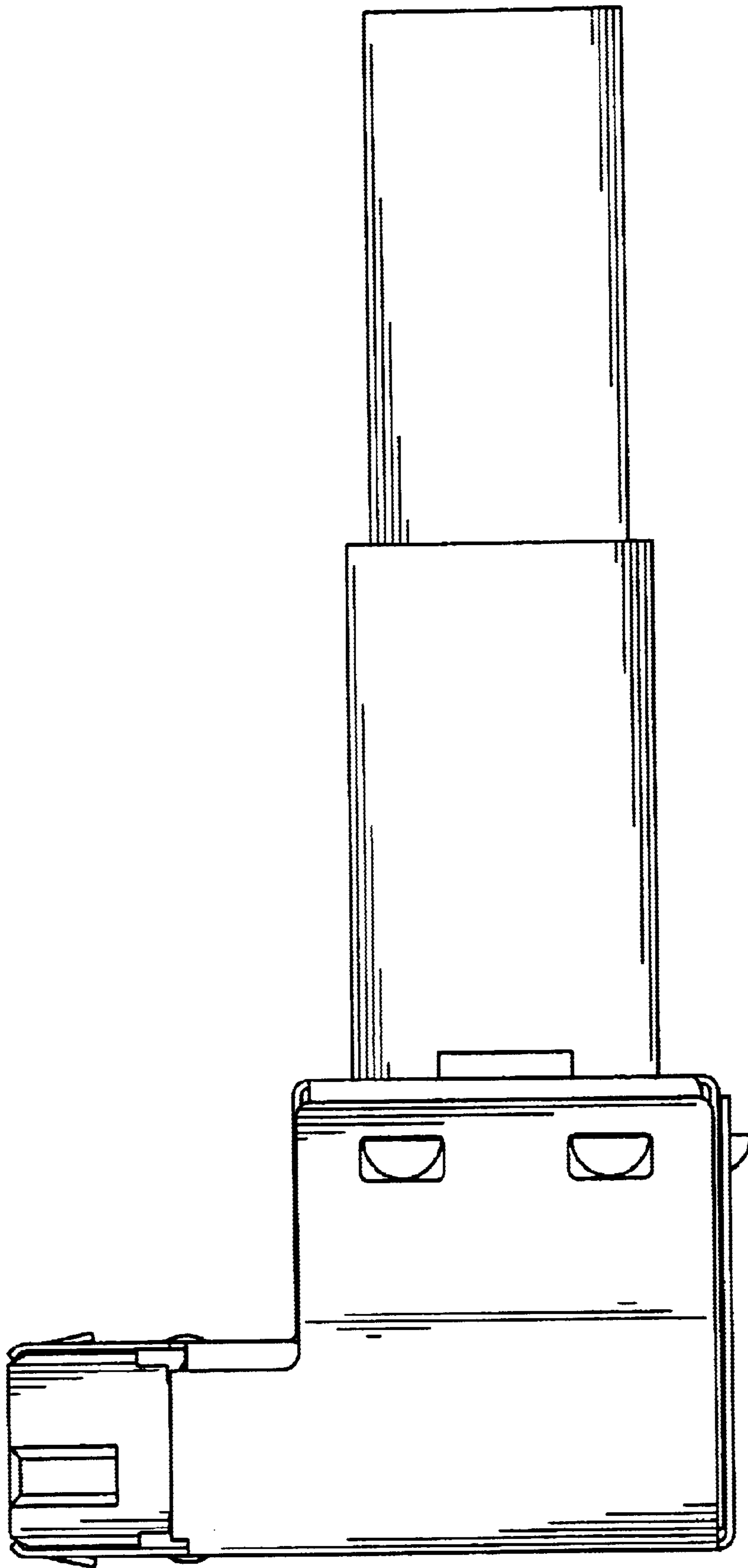


FIG. 4

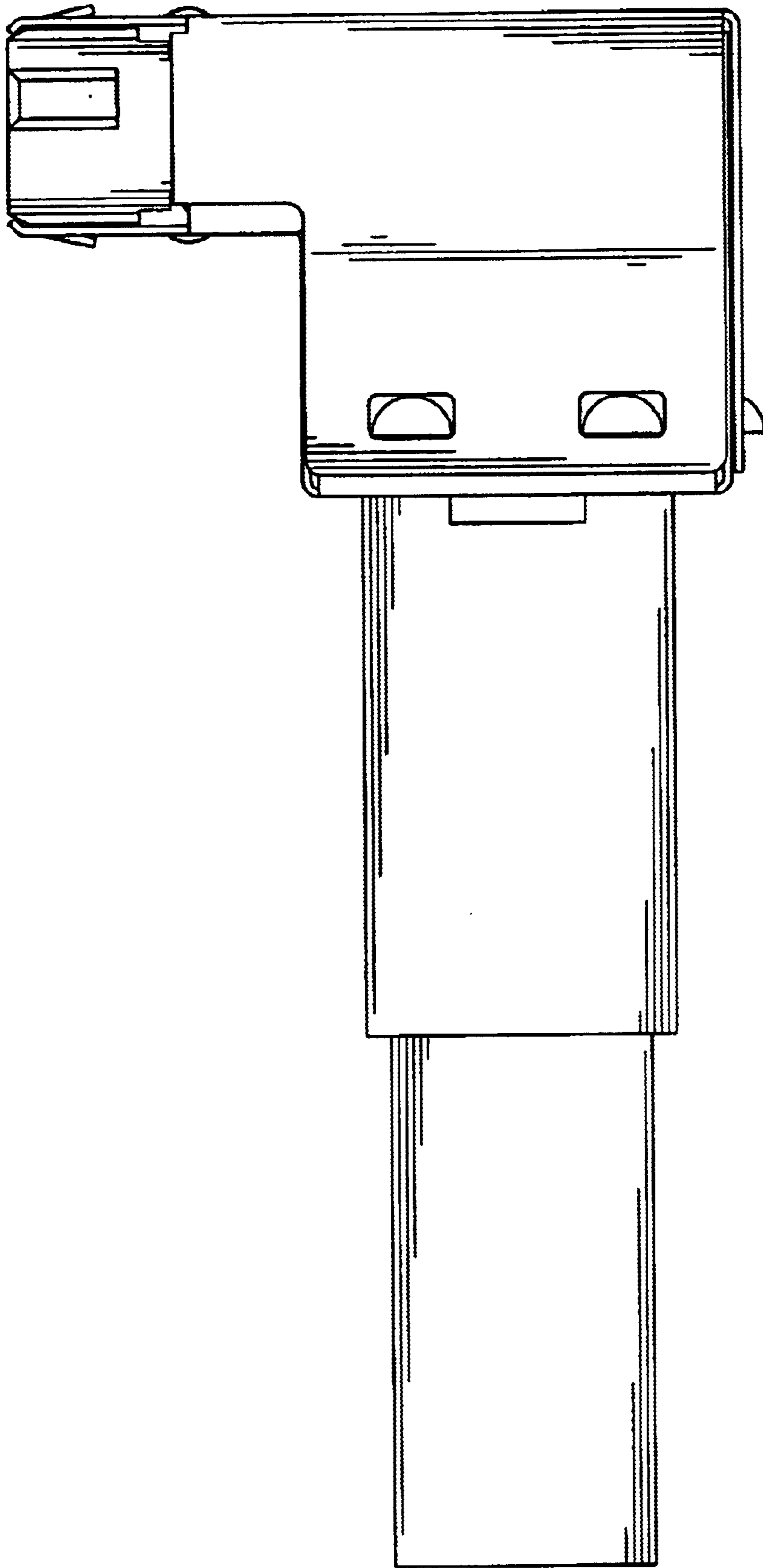


FIG. 5

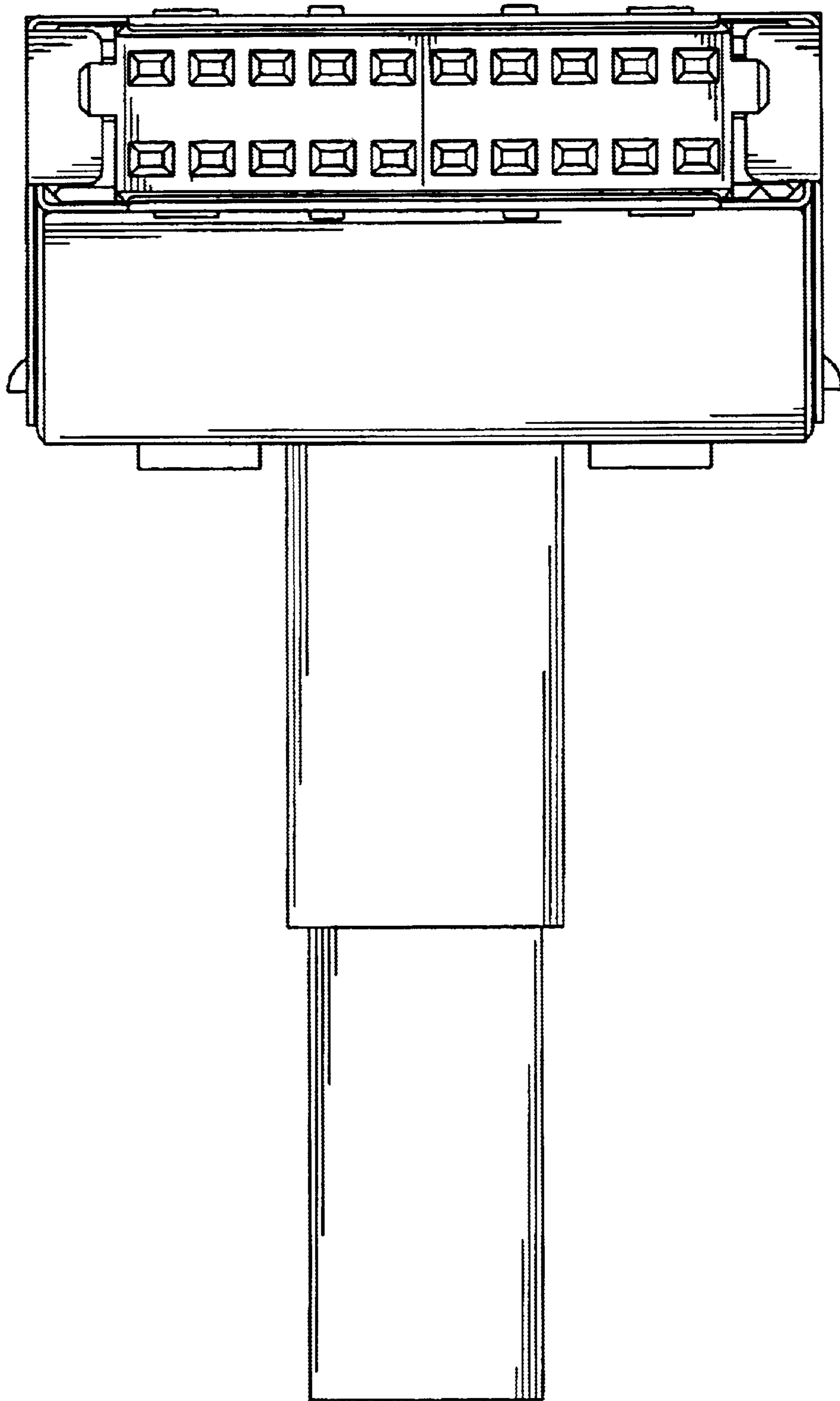


FIG. 6

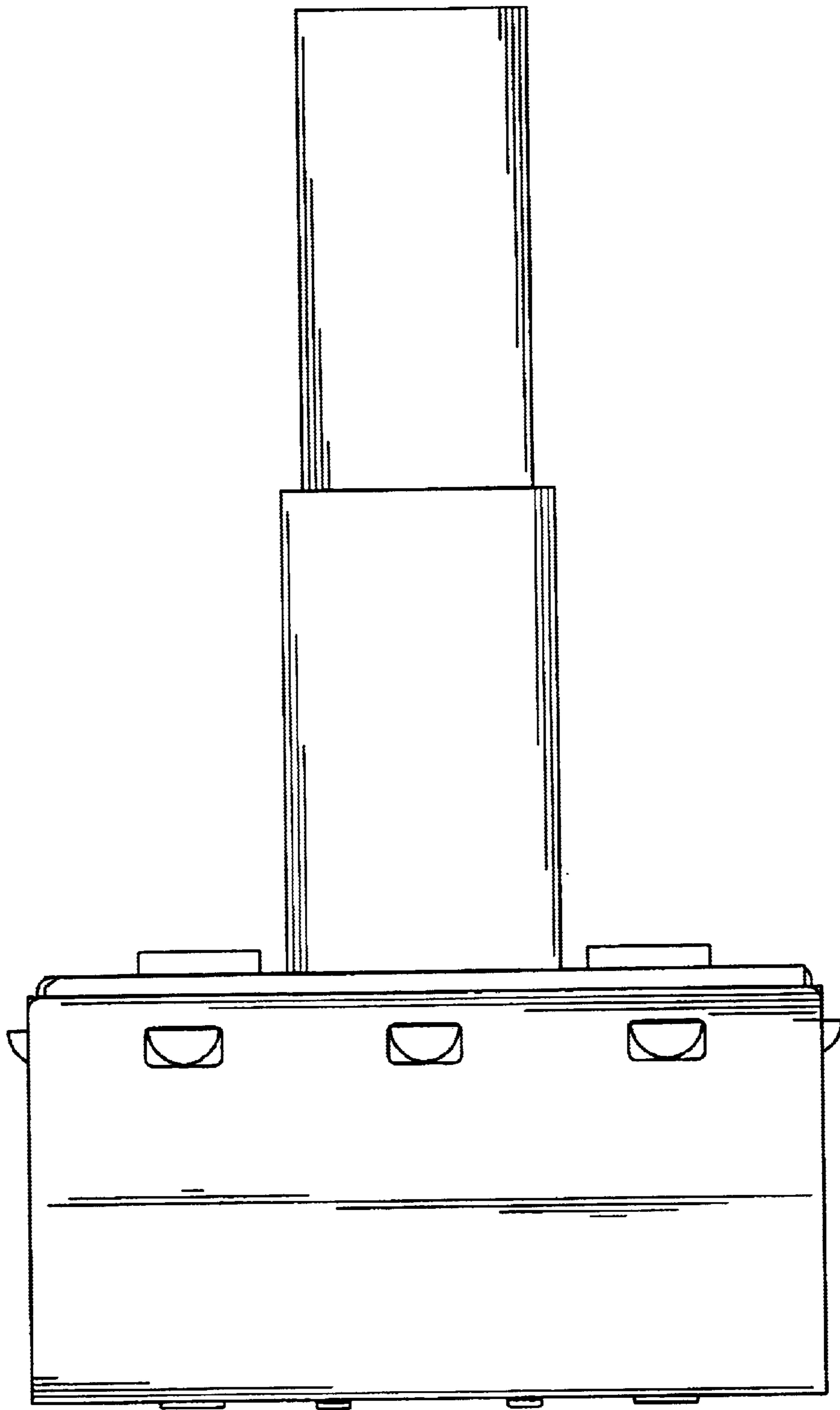


FIG. 7