



US00D491533S

(12) **United States Design Patent**  
**Ko**

(10) **Patent No.:** **US D491,533 S**

(45) **Date of Patent:** **\*\* Jun. 15, 2004**

(54) **ELECTRICAL CONNECTOR**

(75) Inventor: **David Tso-Chin Ko**, Cypress, CA (US)

(73) Assignee: **Hon Hai Precision Ind. Co., Ltd.**,  
Taipei Hsien (TW)

(\*\*) Term: **14 Years**

(21) Appl. No.: **29/189,836**

(22) Filed: **Sep. 10, 2003**

(51) **LOC (7) Cl.** ..... **13-03**

(52) **U.S. Cl.** ..... **D13/147**

(58) **Field of Search** ..... D13/147; 439/607-609,  
439/610, 497, 567

(56) **References Cited**

**U.S. PATENT DOCUMENTS**

- 6,347,960 B1 \* 2/2002 Chen ..... 439/607
- D465,202 S \* 11/2002 Kubota ..... D13/147
- 6,544,071 B1 \* 4/2003 Wu ..... 439/607

- D478,320 S \* 8/2003 Suzuki et al. .... D13/147
- 6,619,986 B1 \* 9/2003 Yeh ..... 439/607
- D481,360 S \* 10/2003 Kuroki et al. .... D13/147

\* cited by examiner

*Primary Examiner*—Philip S. Hyder

*Assistant Examiner*—Selina Sikder

(74) *Attorney, Agent, or Firm*—Wei Te Chung

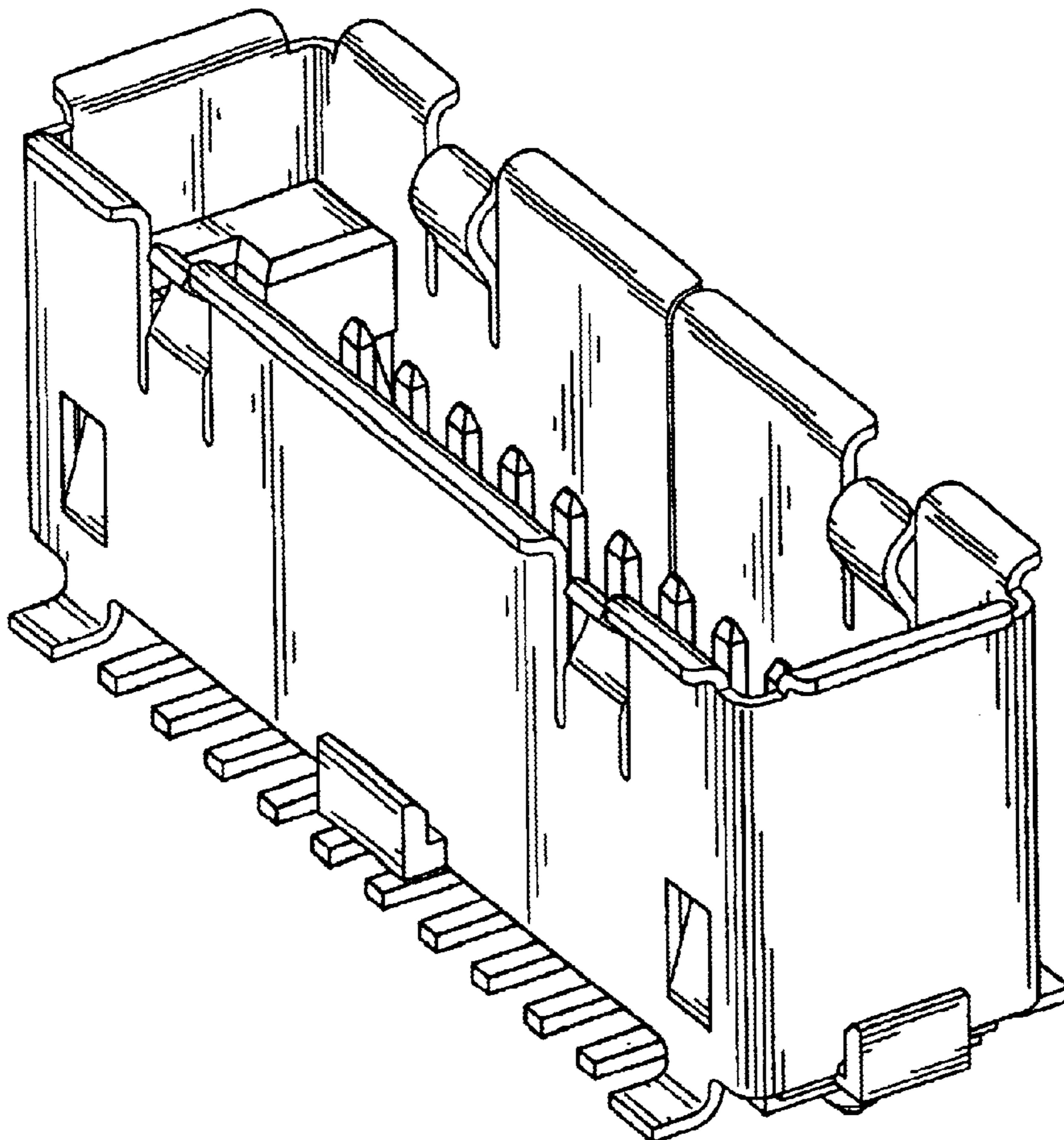
(57) **CLAIM**

The ornamental design for an electrical connector, as shown.

**DESCRIPTION**

FIG. 1 is a front, top and left side perspective view of an electrical connector showing a new design; FIG. 2 is a front elevational view thereof; FIG. 3 is rear elevational view thereof; FIG. 4 is left side elevational view thereof; FIG. 5 is a right side elevational view thereof; FIG. 6 is a top plan view thereof; and, FIG. 7 is a bottom plan view thereof.

**1 Claim, 4 Drawing Sheets**



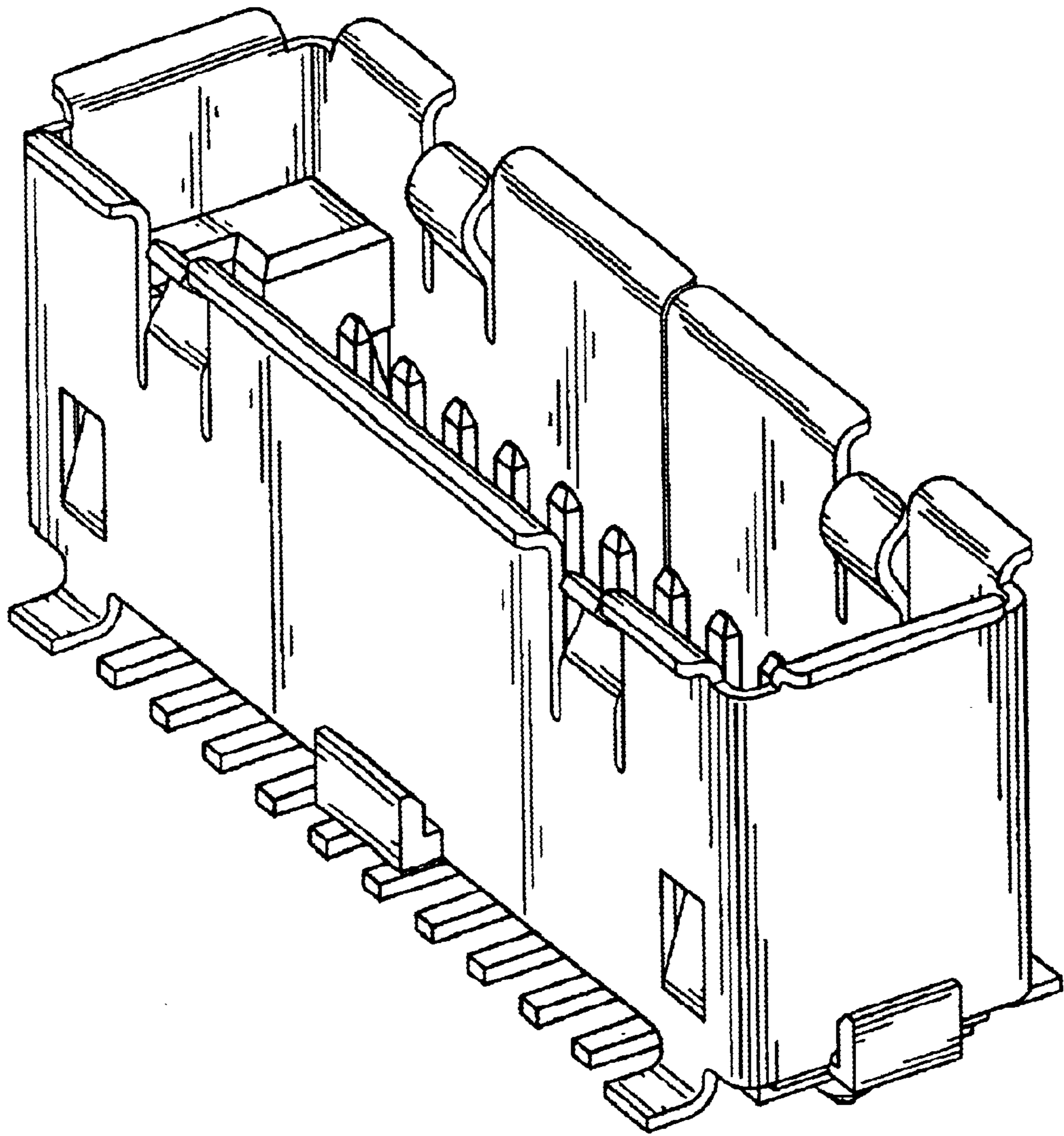


FIG. 1

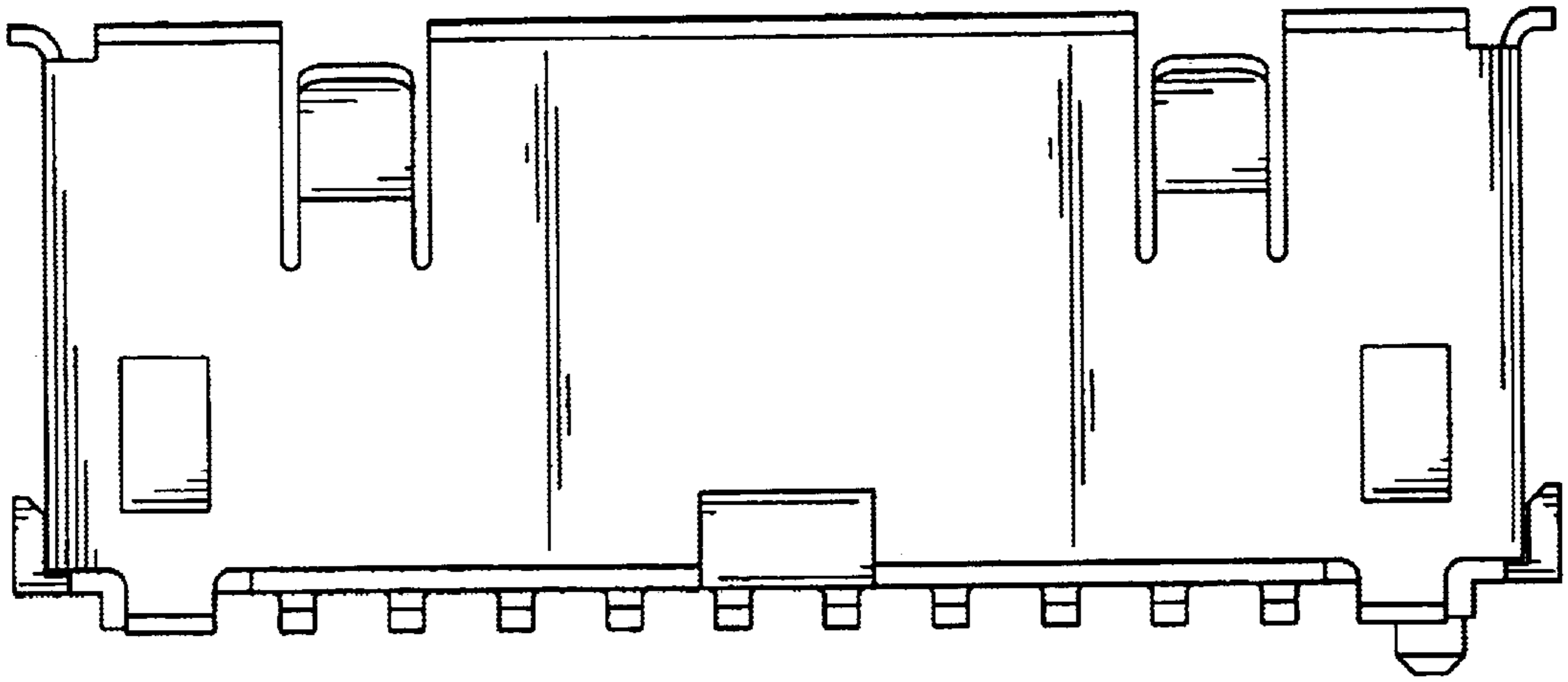


FIG. 2

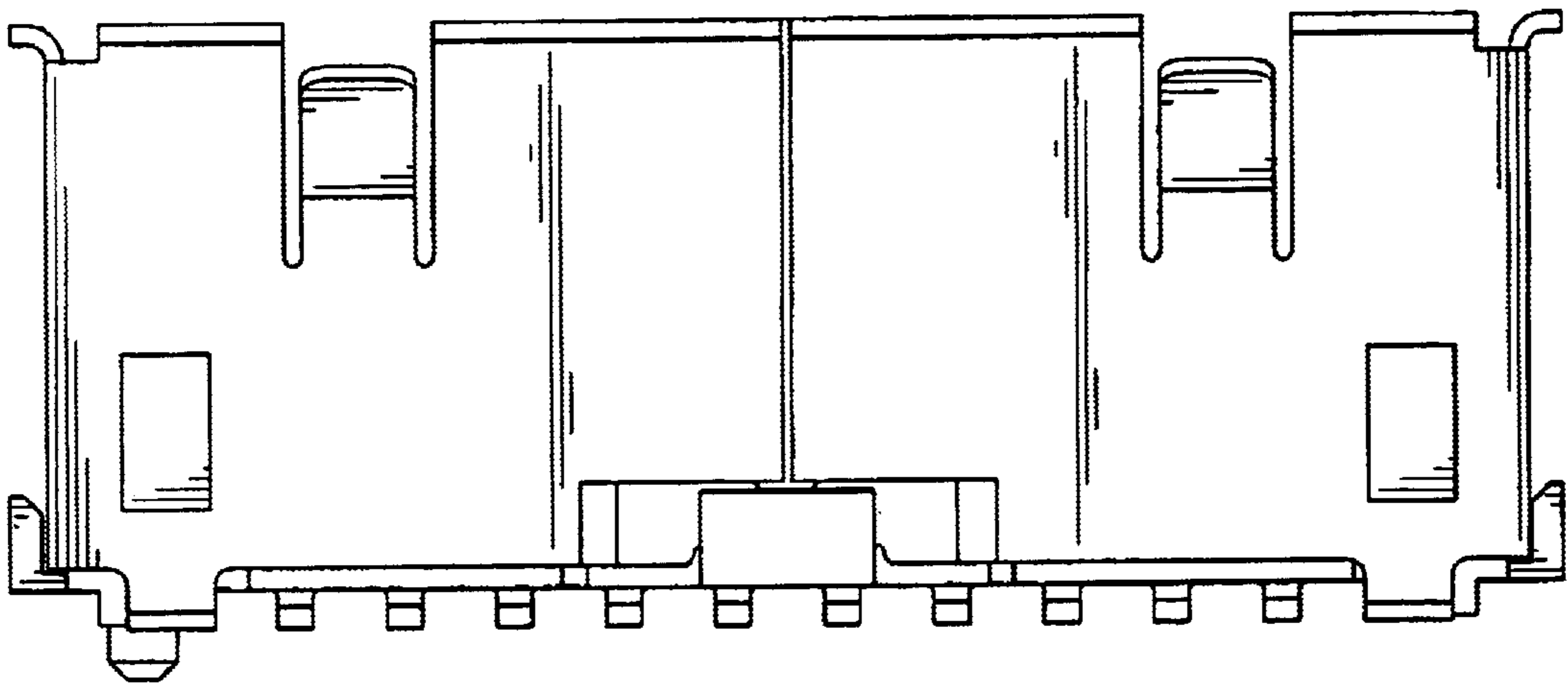


FIG. 3

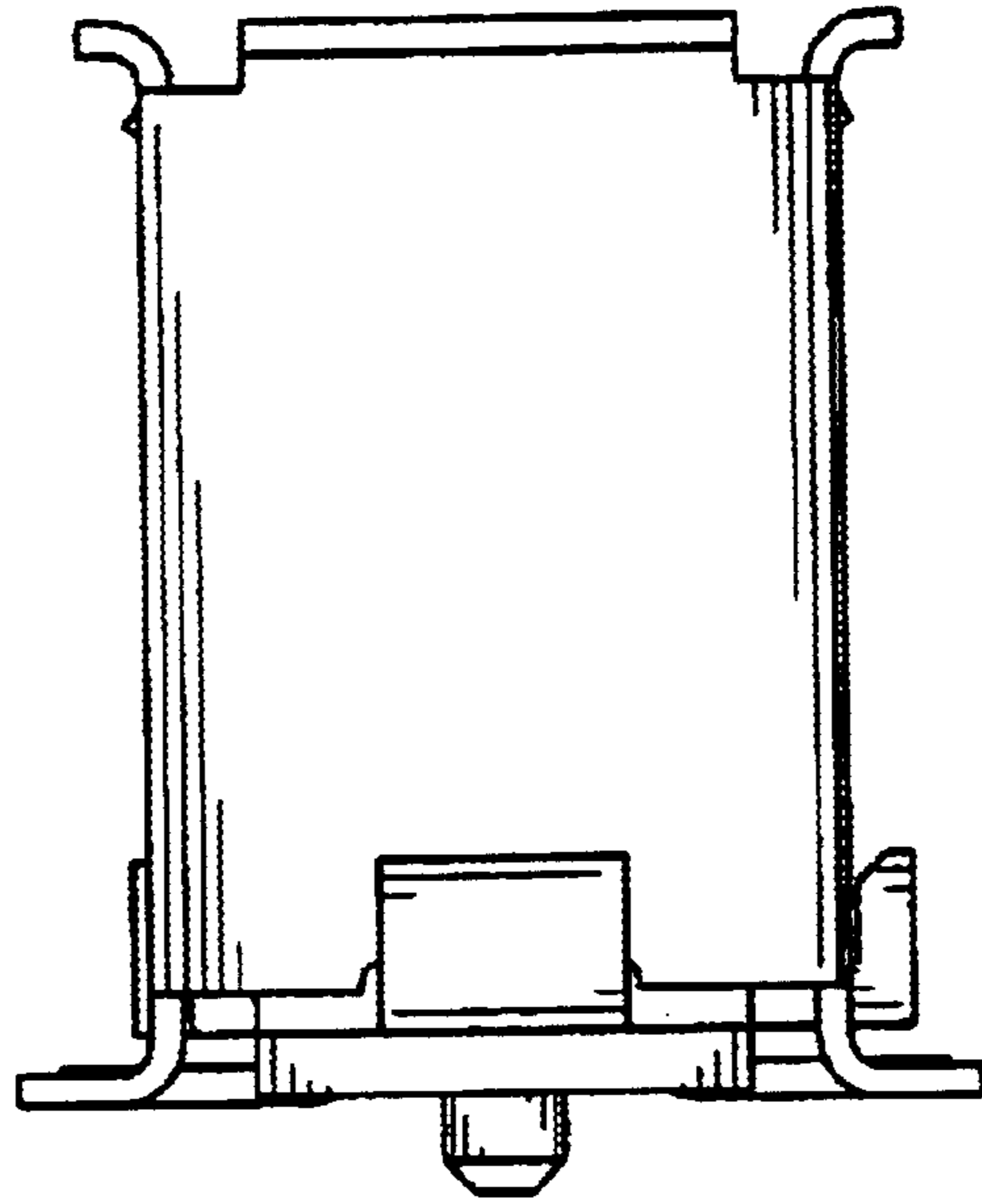


FIG. 4

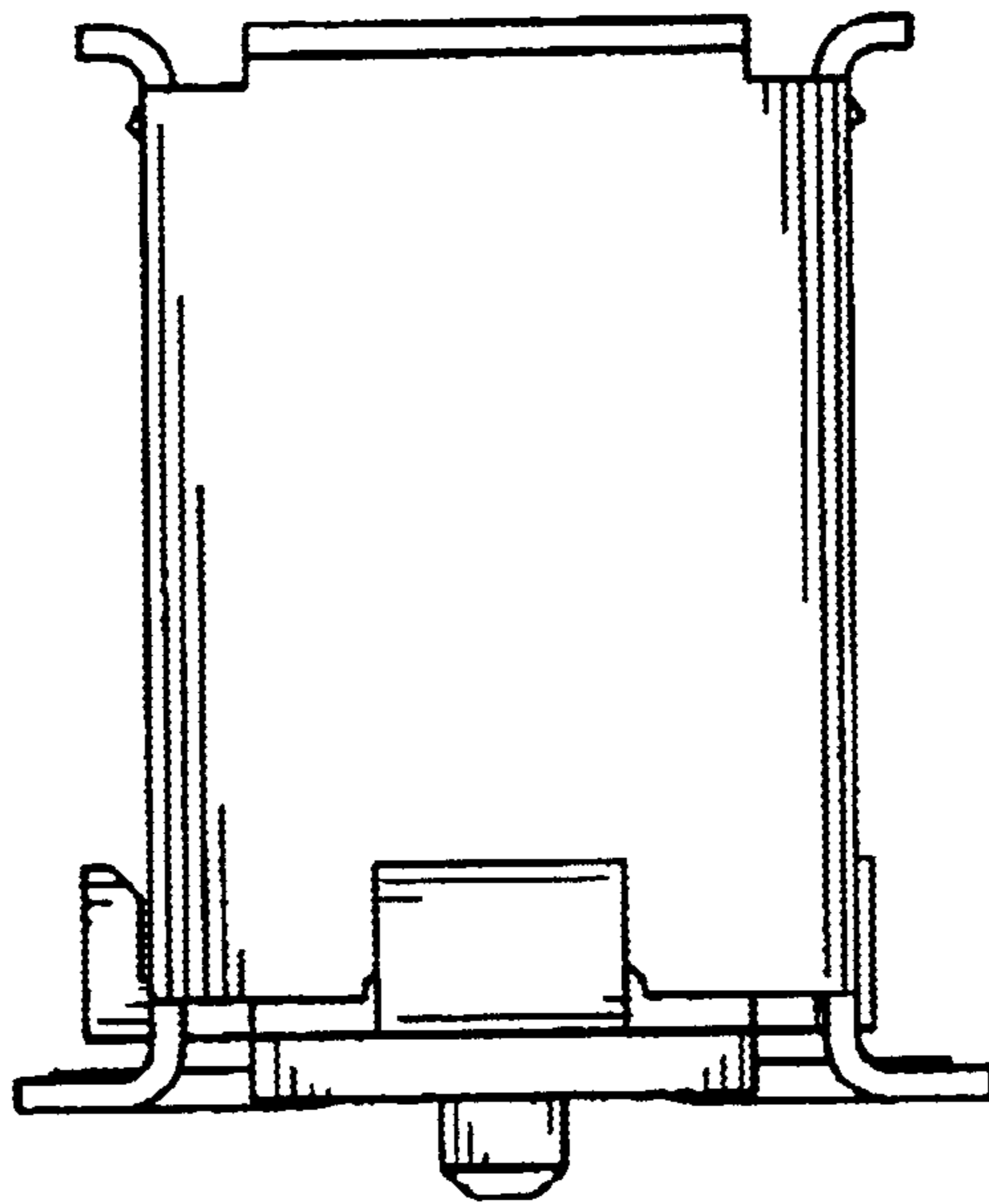


FIG. 5

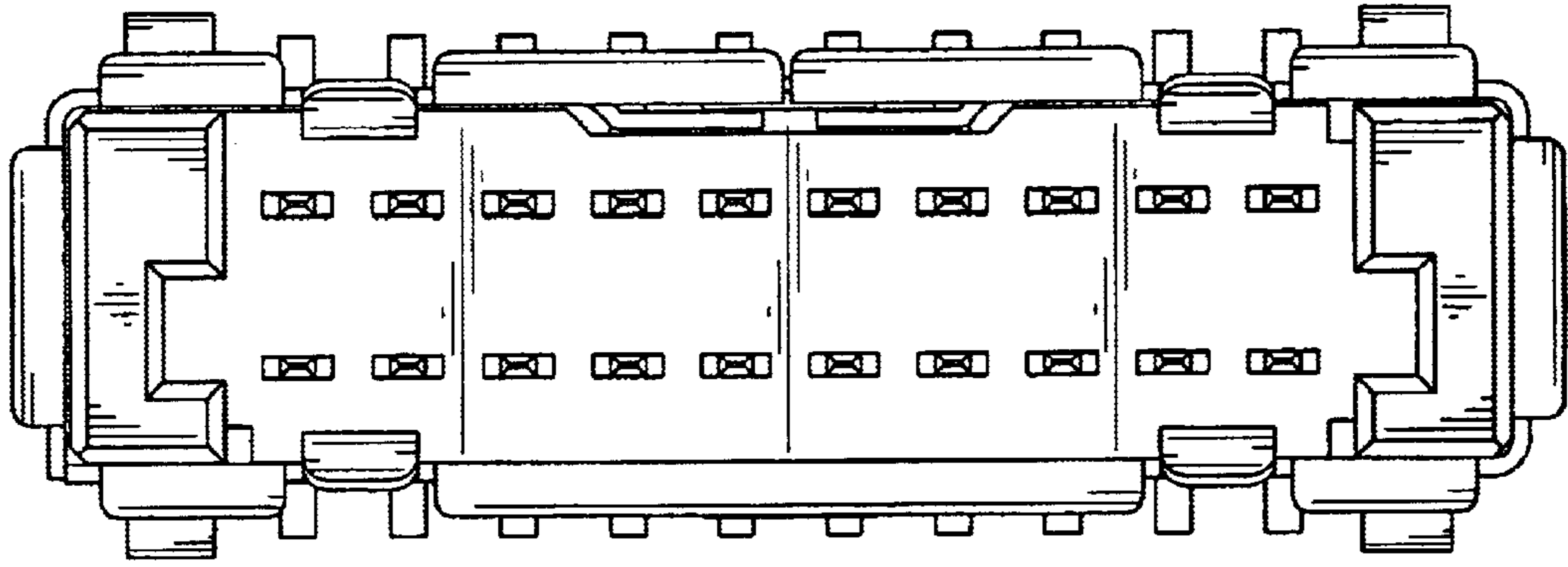


FIG. 6

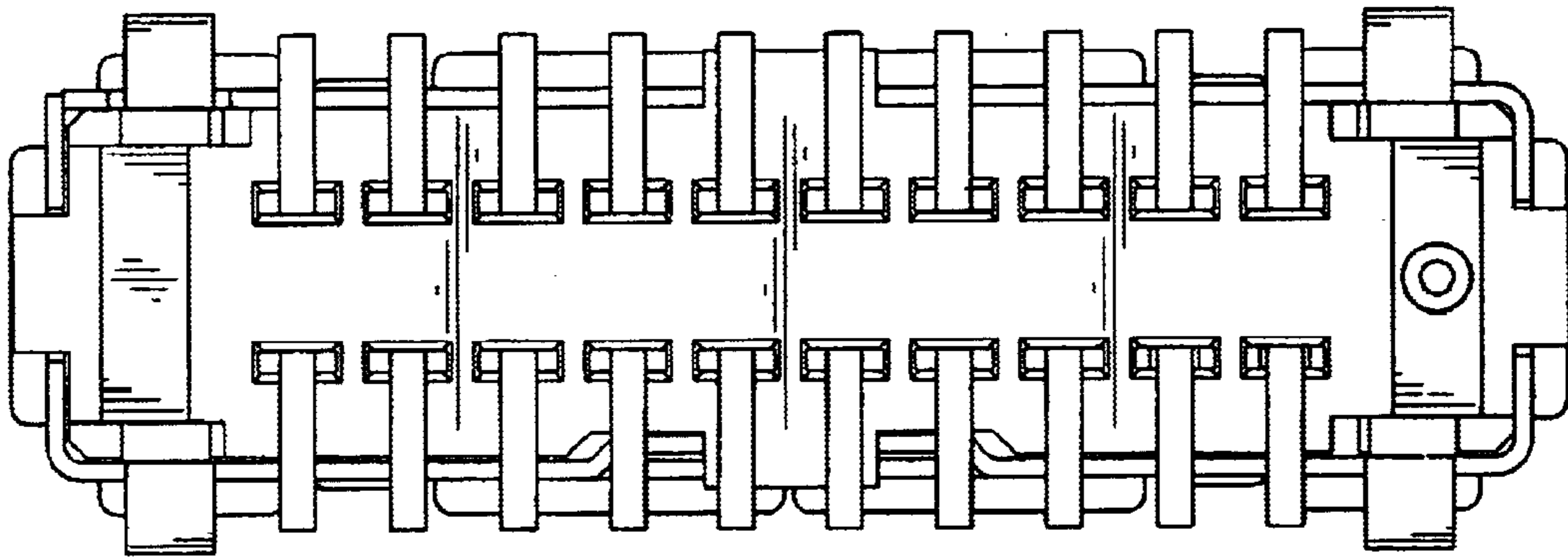


FIG. 7