



US00D491532S

(12) **United States Design Patent**
Chung et al.

(10) **Patent No.:** **US D491,532 S**

(45) **Date of Patent:** **** Jun. 15, 2004**

(54) **CABLE CONNECTOR ASSEMBLY**

(75) Inventors: **Yung-Chien Chung**, Tu-Chen (TW);
Chieh-Chao Yu, Tu-Chen (TW);
Hsien-Chu Lin, Tu-Chen (TW);
Chi-Kai Huang, Tu-Chen (TW)

(73) Assignee: **Hon Hai Precision Ind. Co., Ltd.**,
Taipei Hsien (TW)

(**) Term: **14 Years**

(21) Appl. No.: **29/189,506**

(22) Filed: **Sep. 5, 2003**

(30) **Foreign Application Priority Data**

Jul. 30, 2003 (CN) 092304661

(51) **LOC (7) Cl.** **13-03**

(52) **U.S. Cl.** **D13/147**

(58) **Field of Search** D13/133, 146,
D13/147; 439/248, 502, 536, 540.1, 571,
623, 638

(56) **References Cited**

U.S. PATENT DOCUMENTS

4,648,682 A * 3/1987 Tubbs 439/391

5,456,618 A * 10/1995 Nakamura 439/610
5,938,476 A * 8/1999 Wu et al. 439/610
D422,968 S * 4/2000 Tsai et al. D13/147
6,315,590 B1 * 11/2001 Grois et al. 439/248
D473,848 S * 4/2003 Zheng et al. D13/147

* cited by examiner

Primary Examiner—Philip S. Hyder

Assistant Examiner—Selina Sikder

(74) *Attorney, Agent, or Firm*—Wei Te Chung

(57) **CLAIM**

The ornamental design for a cable connector assembly, as shown and described.

DESCRIPTION

FIG. 1 is a front, top and right side perspective view of a cable connector assembly;

FIG. 2 is a front elevational view thereof;

FIG. 3 is a rear elevational view thereof;

FIG. 4 is a left side elevational view thereof;

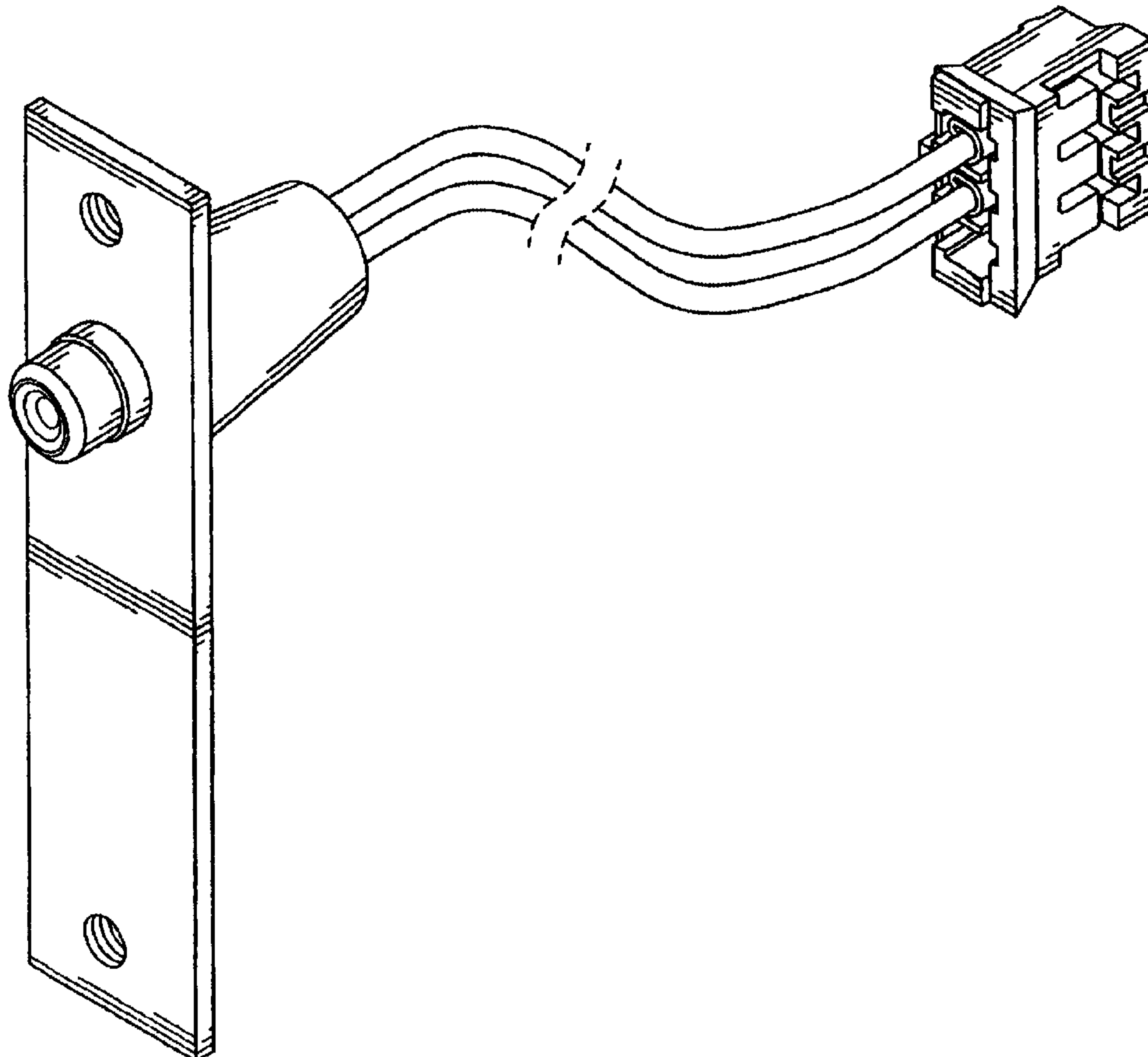
FIG. 5 is a right side elevational view thereof;

FIG. 6 is a top plan view thereof; and,

FIG. 7 is a bottom plan view thereof.

The cables are shown broken away throughout the drawing figures to indicate indeterminate length.

1 Claim, 7 Drawing Sheets



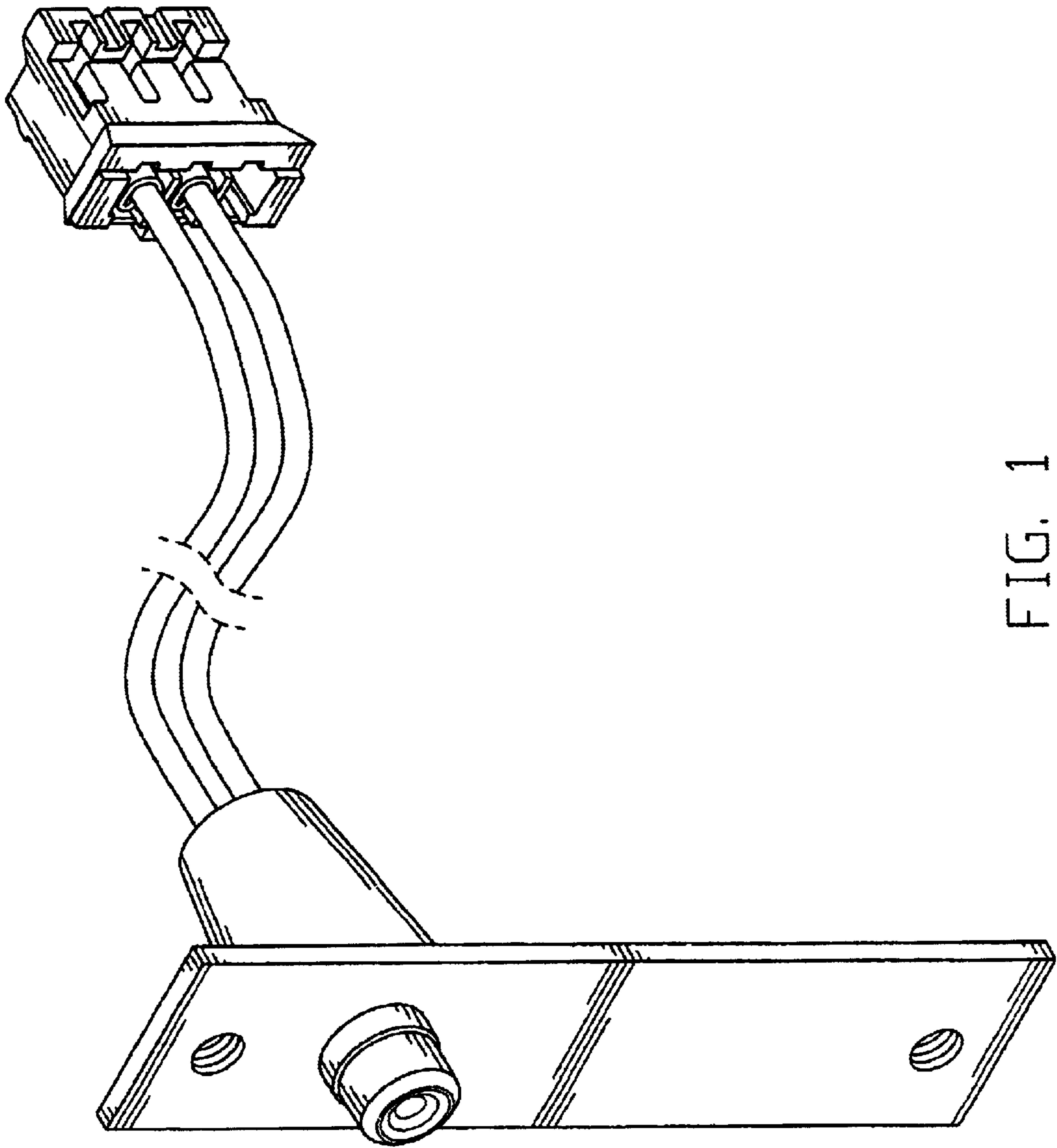


FIG. 1

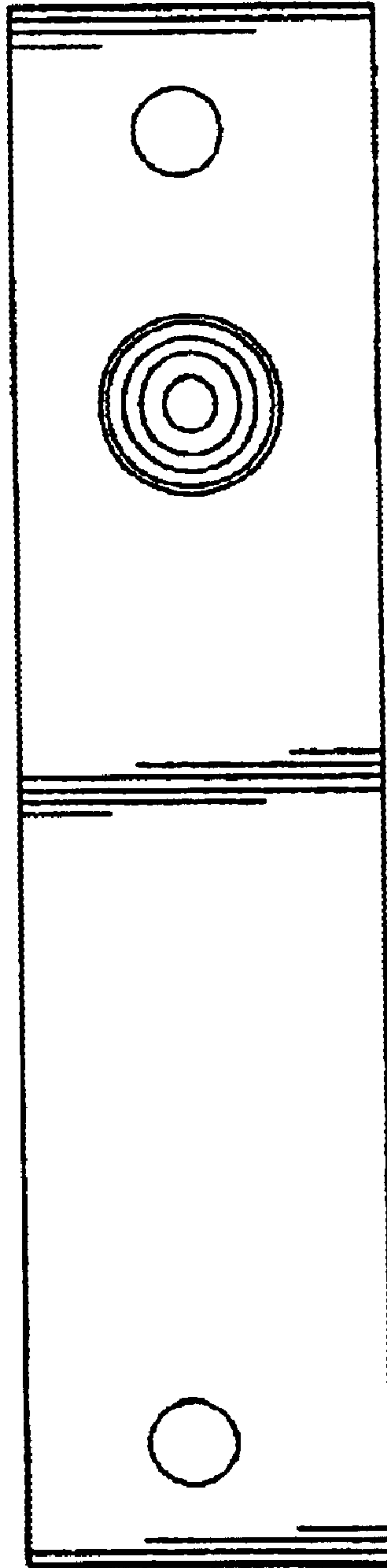


FIG. 2

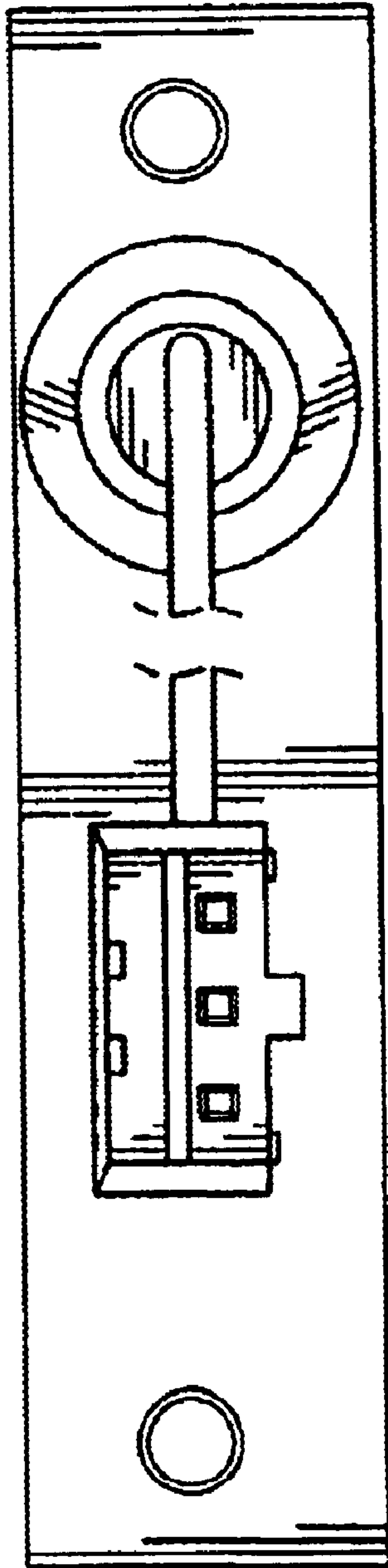


FIG. 3

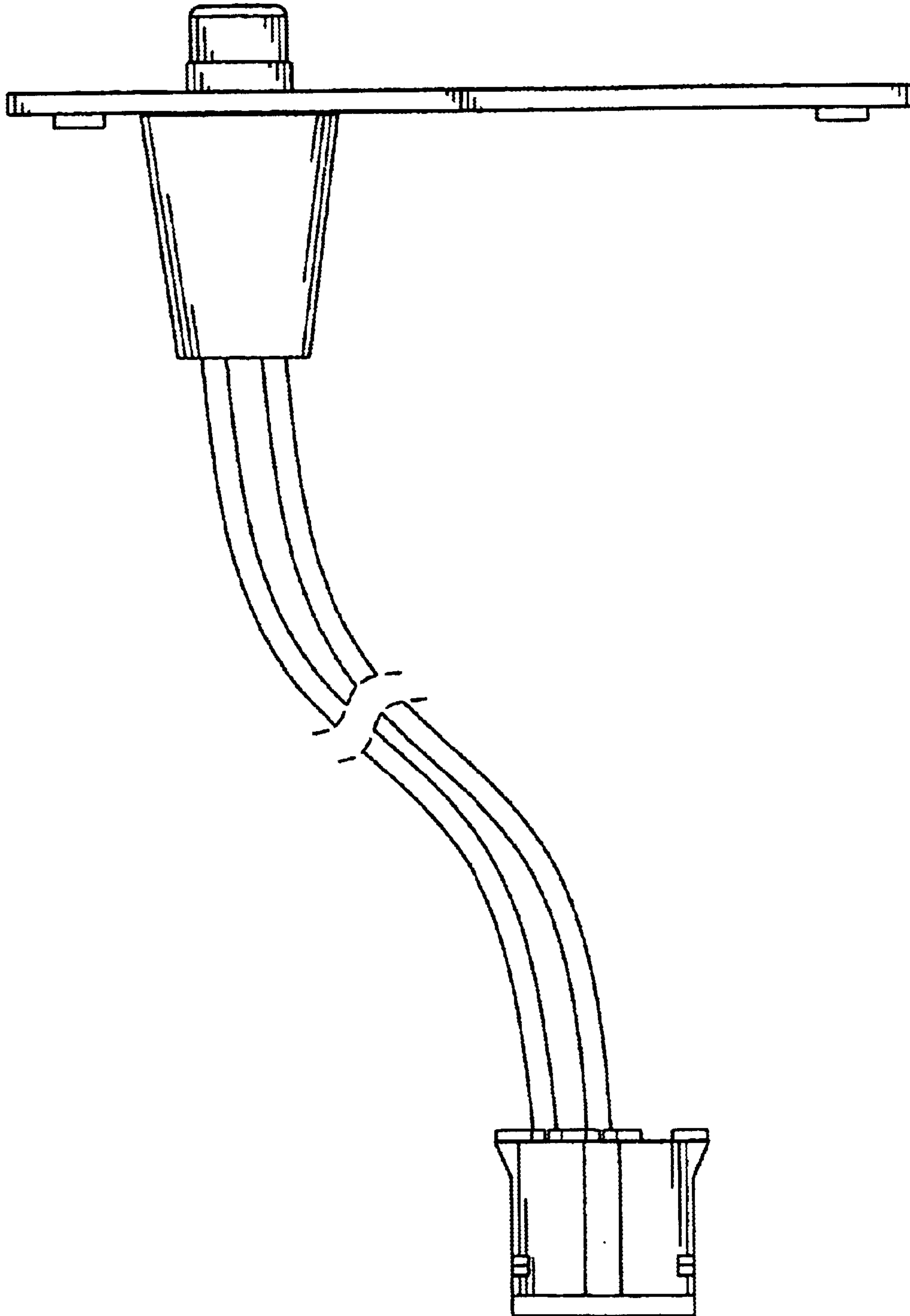


FIG. 4

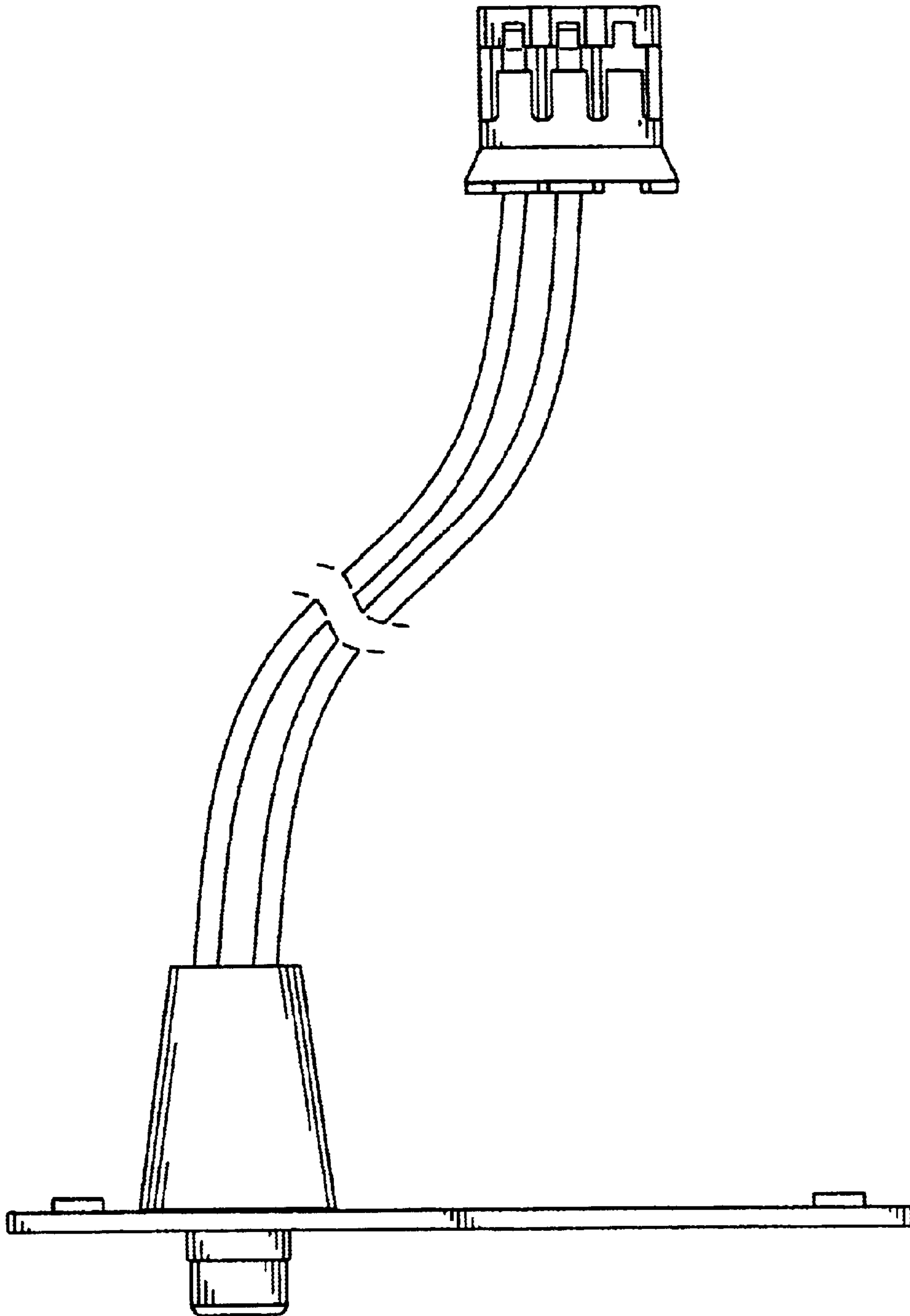


FIG. 5

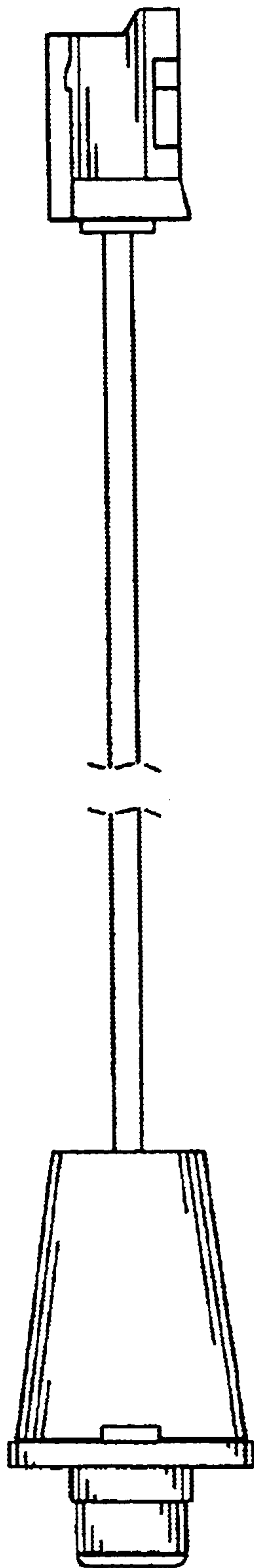


FIG. 6

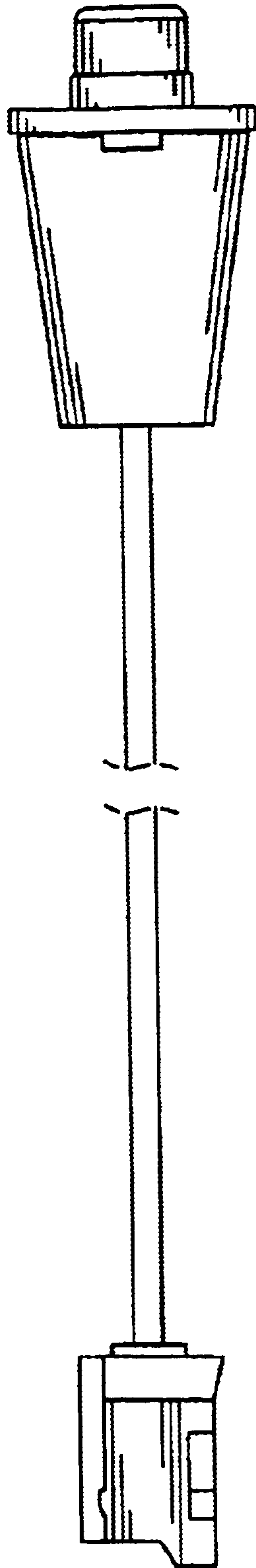


FIG. 7