



US00D491531S

(12) **United States Design Patent**  
**Lee**

(10) **Patent No.:** **US D491,531 S**

(45) **Date of Patent:** **\*\* Jun. 15, 2004**

(54) **ELECTRICAL CONNECTOR**  
(75) Inventor: **George Lee**, Irvine, CA (US)  
(73) Assignee: **Hon Hai Precision Ind. Co., Ltd.**,  
Taipei Hsien (TW)  
(\*\*) Term: **14 Years**

6,190,192 B1 \* 2/2001 White et al. .... 439/292  
6,416,354 B1 \* 7/2002 Lee ..... 439/484  
6,500,023 B1 \* 12/2002 Duong et al. .... 439/484  
D480,052 S \* 9/2003 Hisamatsu et al. .... D13/147  
6,616,473 B2 \* 9/2003 Kamata et al. .... 439/352  
6,623,287 B2 \* 9/2003 Hatagishi et al. .... 439/157  
D482,333 S \* 11/2003 Hisamatsu et al. .... D13/147

\* cited by examiner

(21) Appl. No.: **29/189,441**  
(22) Filed: **Sep. 5, 2003**

*Primary Examiner*—Philip S. Hyder  
*Assistant Examiner*—Selina Sikder  
(74) *Attorney, Agent, or Firm*—Wei Te Chung

**Related U.S. Application Data**

(63) Continuation-in-part of application No. 29/187,071, filed on Jul. 24, 2003.

(51) **LOC (7) Cl.** ..... **13-03**  
(52) **U.S. Cl.** ..... **D13/147**  
(58) **Field of Search** ..... D13/147; 439/157,  
439/160, 266, 292, 352, 358, 476.1, 484,  
940

(57) **CLAIM**

The ornamental design for an electrical connector, as shown.

**DESCRIPTION**

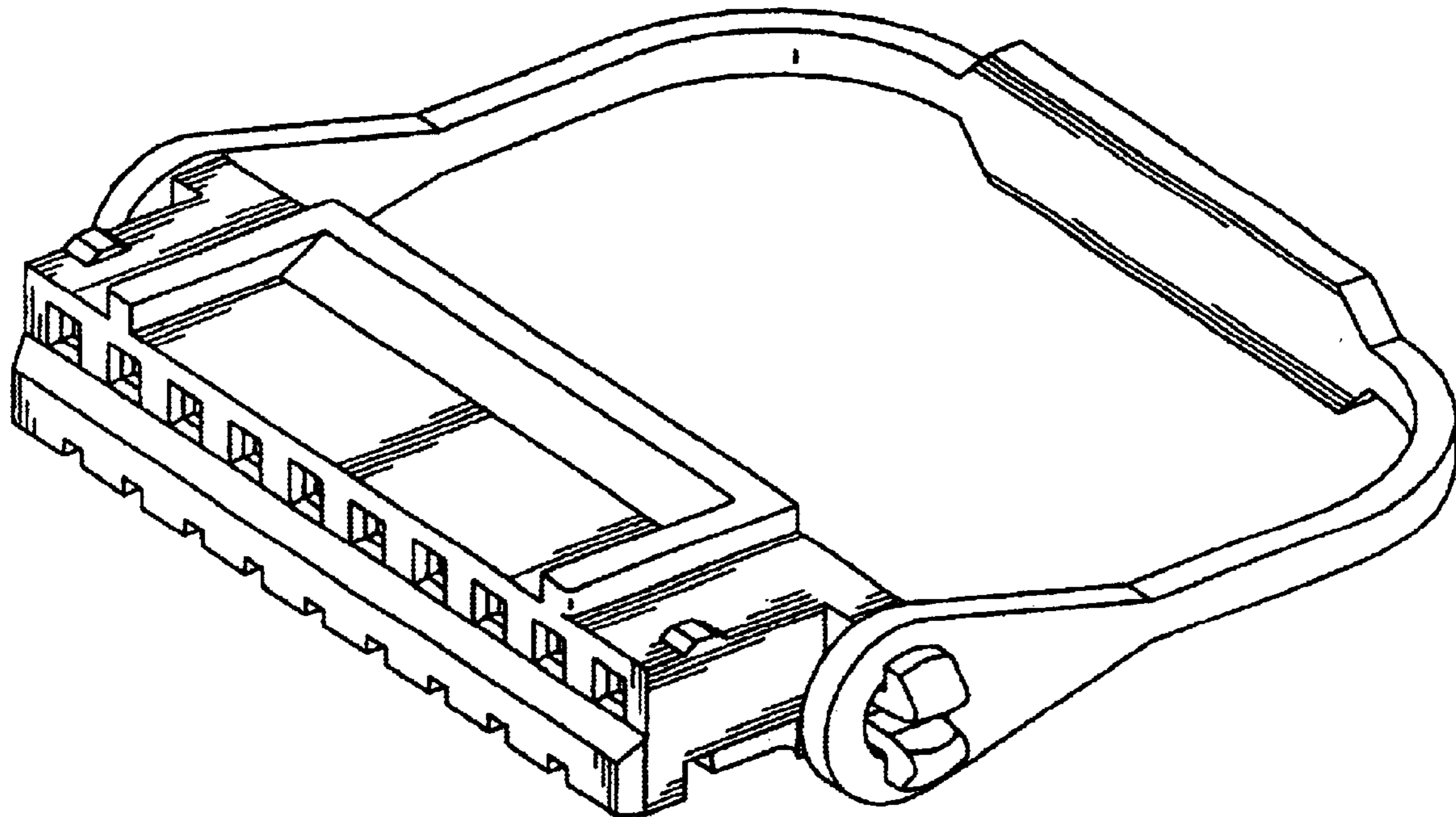
FIG. 1 is a front, top and left side perspective view of an electrical connector showing my new design;  
FIG. 2 is a front elevational view thereof;  
FIG. 3 is a rear elevational view thereof;  
FIG. 4 is a left side elevational view thereof;  
FIG. 5 is a right side elevational view thereof;  
FIG. 6 is a top plan view thereof; and,  
FIG. 7 is a bottom plan view thereof.

(56) **References Cited**

**U.S. PATENT DOCUMENTS**

D432,086 S \* 10/2000 Lee ..... D13/147  
6,179,642 B1 \* 1/2001 Hwang ..... 439/358

**1 Claim, 7 Drawing Sheets**



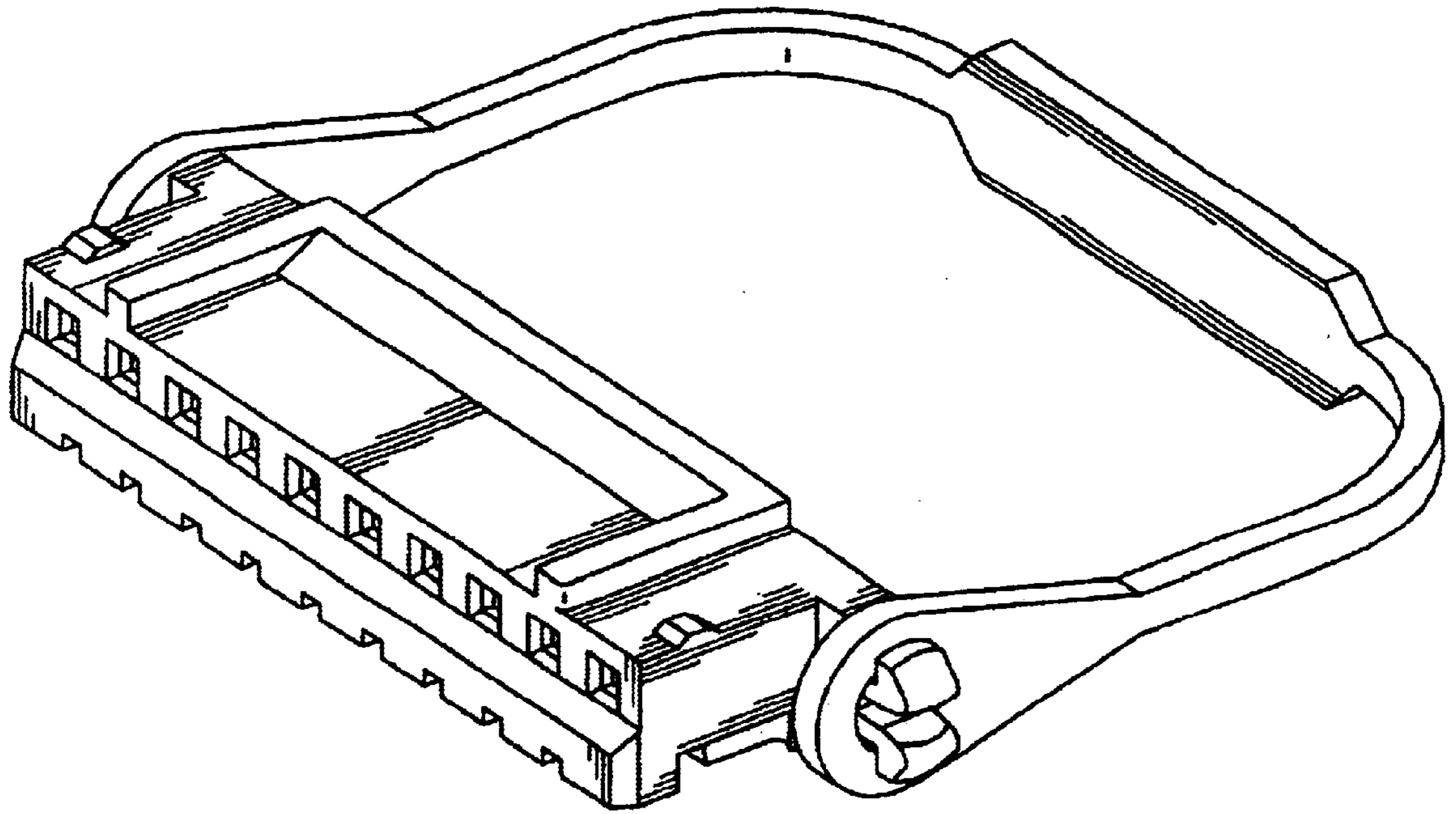


FIG. 1

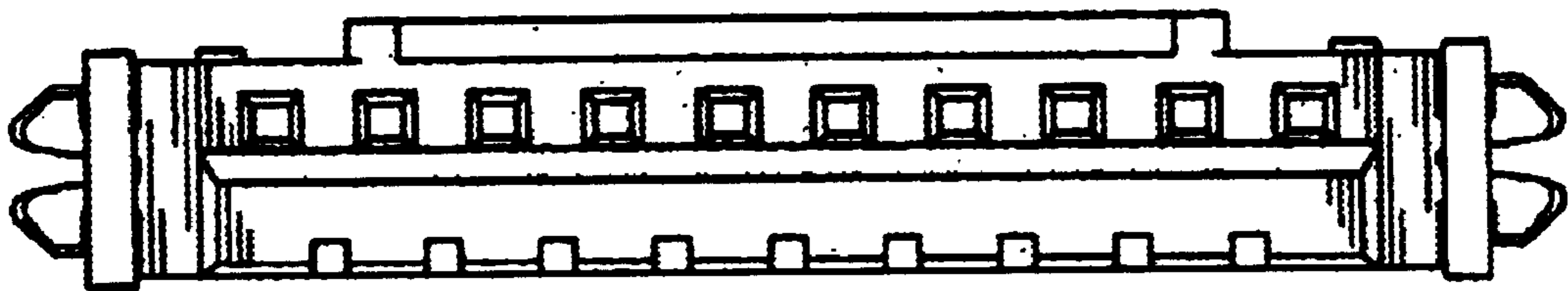


FIG. 2

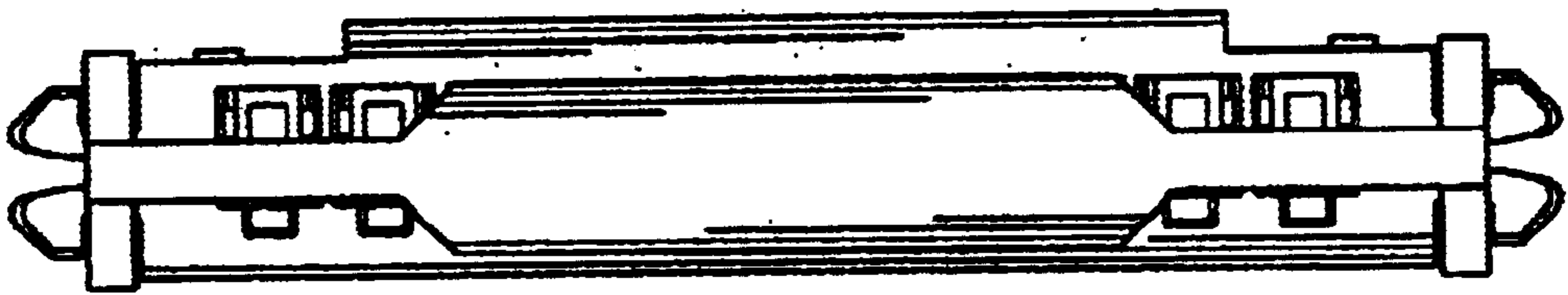


FIG. 3

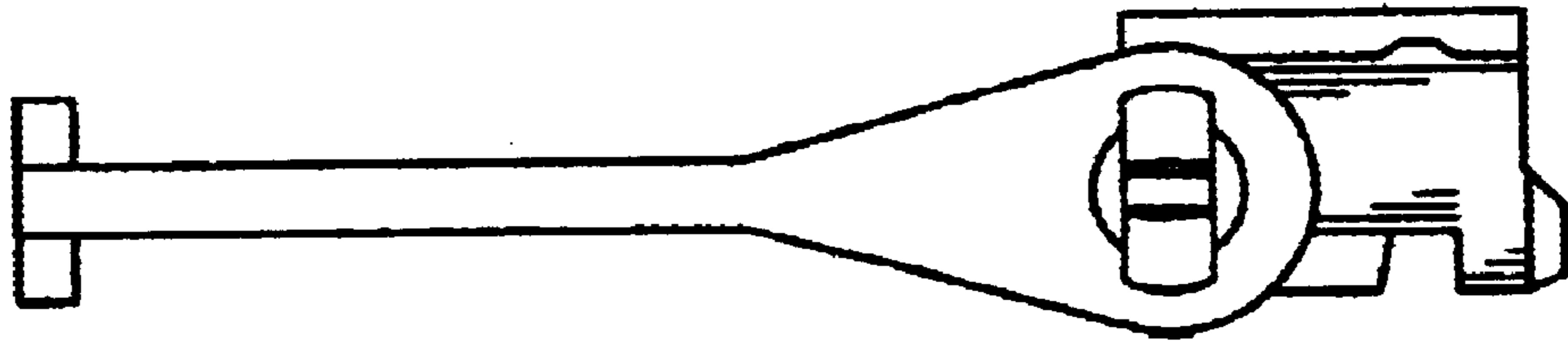


FIG. 4

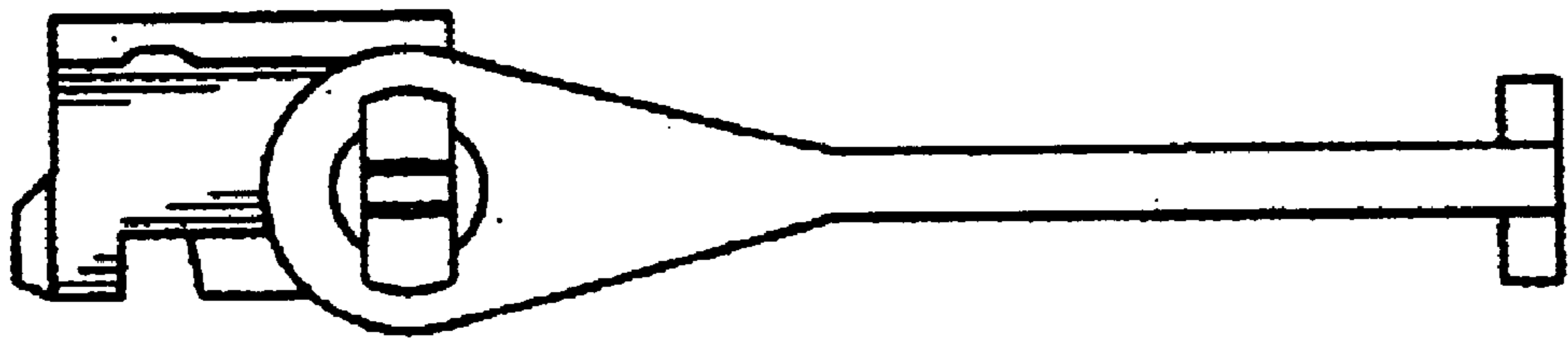


FIG. 5

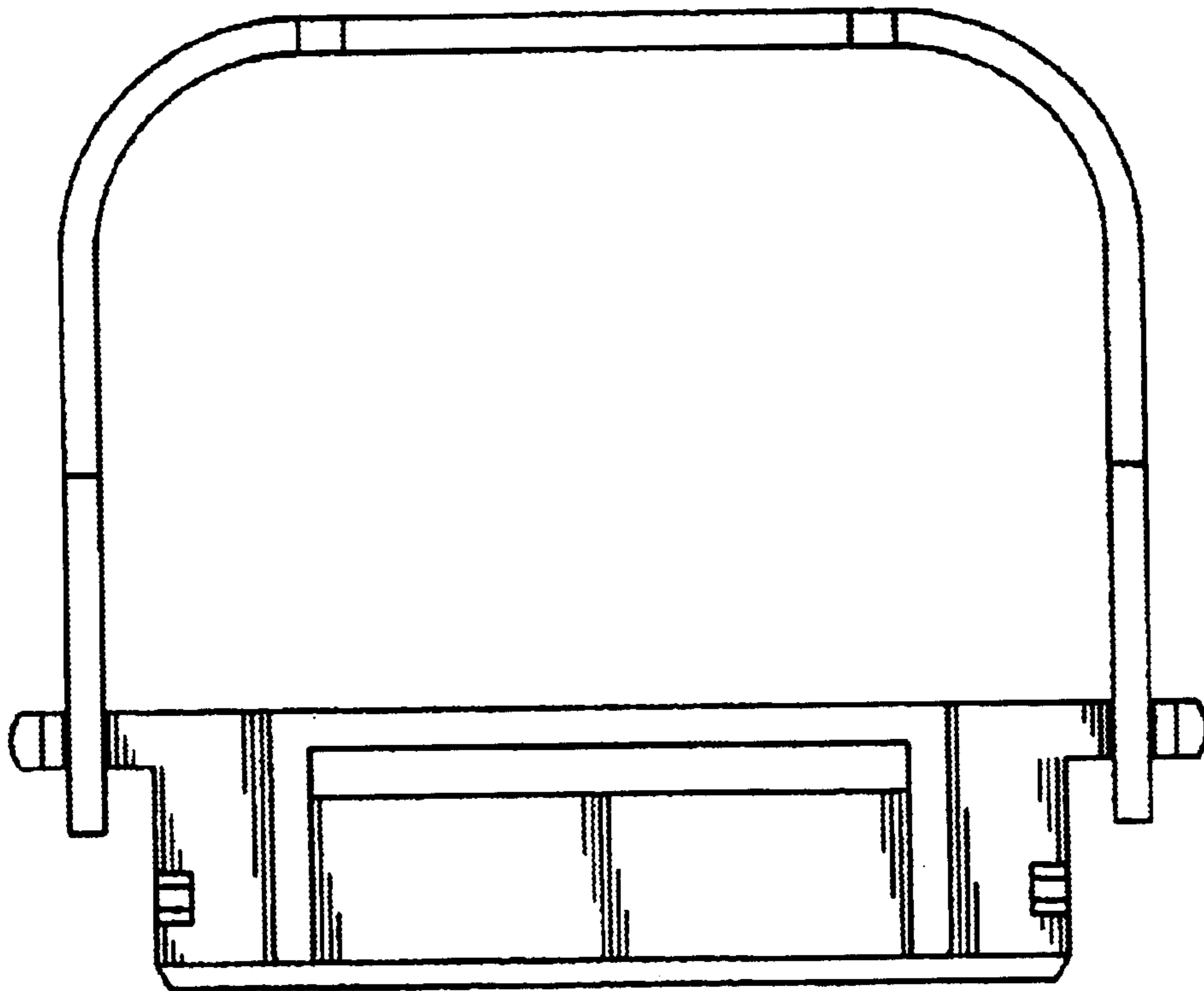


FIG. 6

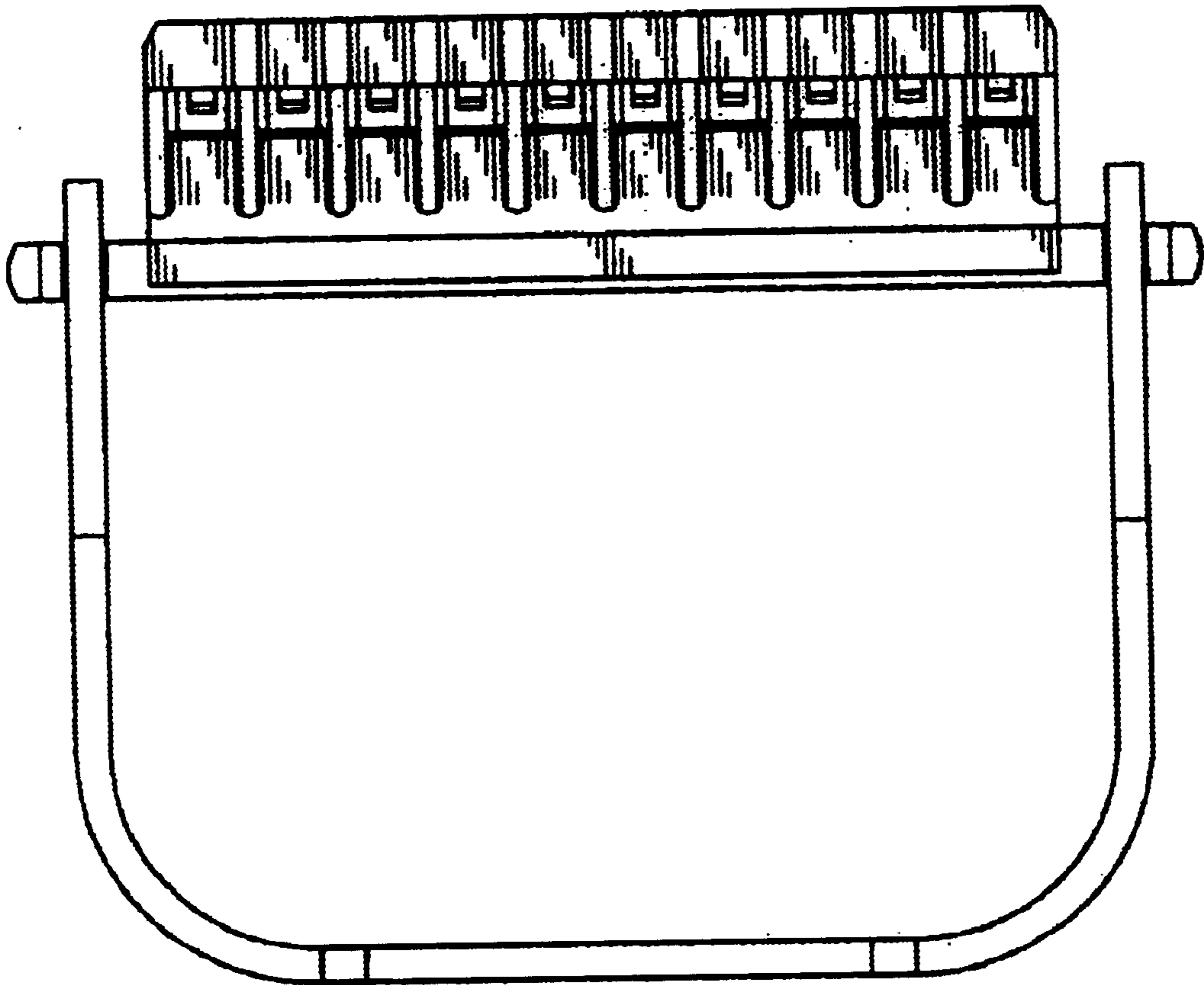


FIG. 7