



US00D491530S

(12) **United States Design Patent**
Yang et al.

(10) **Patent No.:** **US D491,530 S**

(45) **Date of Patent:** **** Jun. 15, 2004**

(54) **CABLE CONNECTOR ASSEMBLY**

(75) Inventors: **Shu-chen Yang**, Tu-chen (TW);
Yung-Chien Chung, Tu-chen (TW);
Hsien-Chu Lin, Tu-chen (TW);
Chih-Kai Huang, Tu-Chen (TW)

(73) Assignee: **Hon Hai Precision Ind. Co., Ltd.**,
Taipei Hsien (TW)

(**) Term: **14 Years**

(21) Appl. No.: **29/186,646**

(22) Filed: **Jul. 17, 2003**

(30) **Foreign Application Priority Data**

May 23, 2003 (TW) 92303248

(51) **LOC (7) Cl.** **13-03**

(52) **U.S. Cl.** **D13/147**

(58) **Field of Search** D13/146, 147,
D13/154; 439/352, 353, 357, 358, 607-610,
677-681, 686

(56) **References Cited**

U.S. PATENT DOCUMENTS

D340,241 S * 10/1993 Nakamura D13/146

D344,491 S * 2/1994 Nakamura D13/147

D364,377 S * 11/1995 Johnson et al. D13/146
5,934,942 A * 8/1999 Patel et al. 439/610
D422,560 S * 4/2000 Lok D13/147
6,116,937 A * 9/2000 Pan 439/352
D449,820 S * 10/2001 Lee D13/147
D478,319 S * 8/2003 Yeh D13/147

* cited by examiner

Primary Examiner—Ted Shooman

Assistant Examiner—Selina Sikder

(74) *Attorney, Agent, or Firm*—Wei Te Chung

(57) **CLAIM**

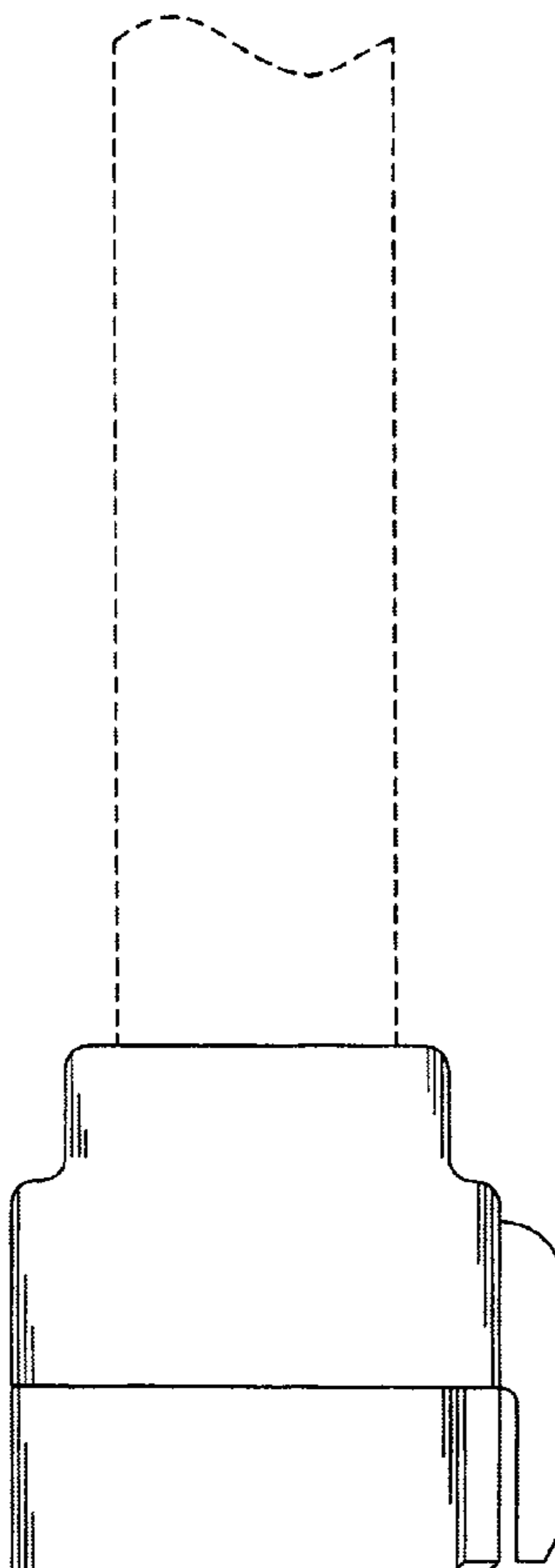
The ornamental design for a cable connector assembly, as shown and described.

DESCRIPTION

FIG. 1 is a front, top and right side perspective view of a cable connector assembly showing our new design; FIG. 2 is a front elevational view of FIG. 1; FIG. 3 is a rear elevational view of FIG. 1; FIG. 4 is a left side elevational view of FIG. 1; FIG. 5 is a right side elevational view of FIG. 1; FIG. 6 is a top plan view of FIG. 1; and, FIG. 7 is a bottom plan view of FIG. 1.

The broken line showing of the environment is for illustrative purpose only and forms no part of the claimed design.

1 Claim, 6 Drawing Sheets



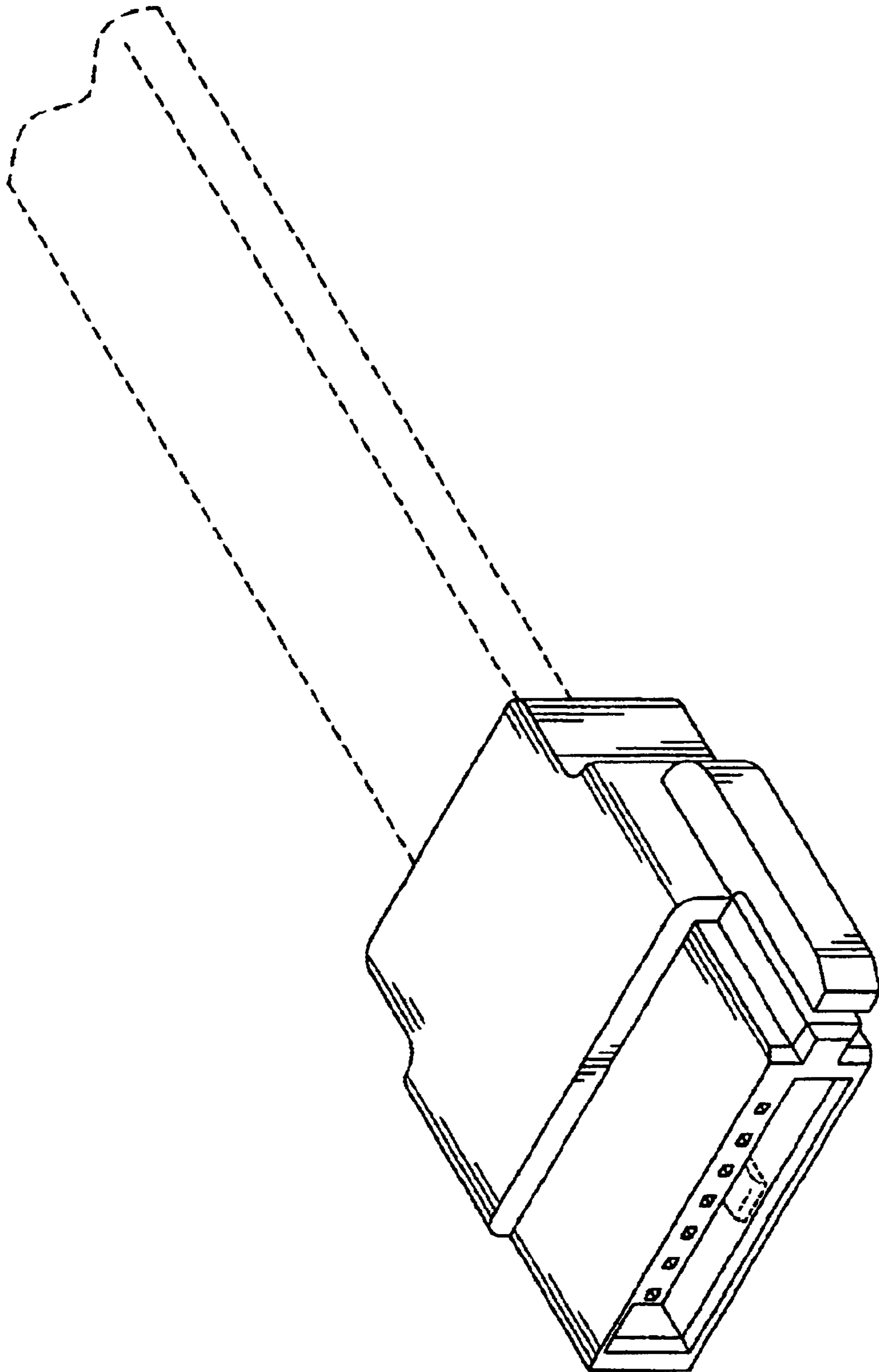


FIG. 1

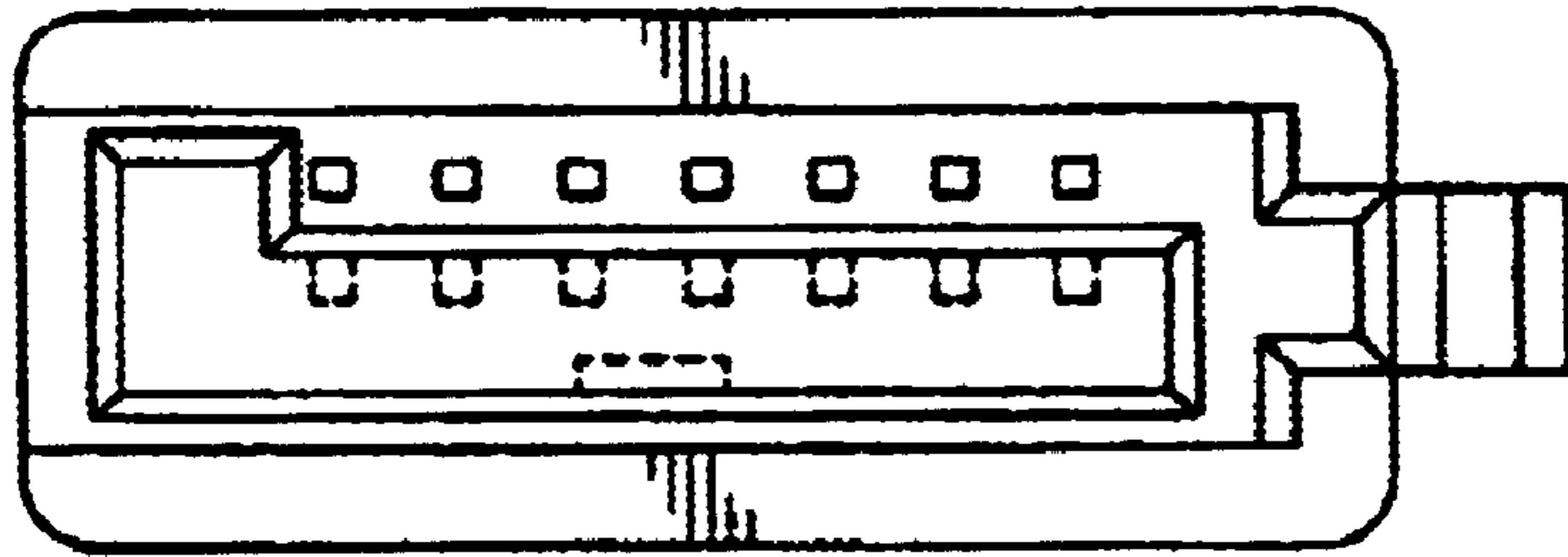


FIG. 2

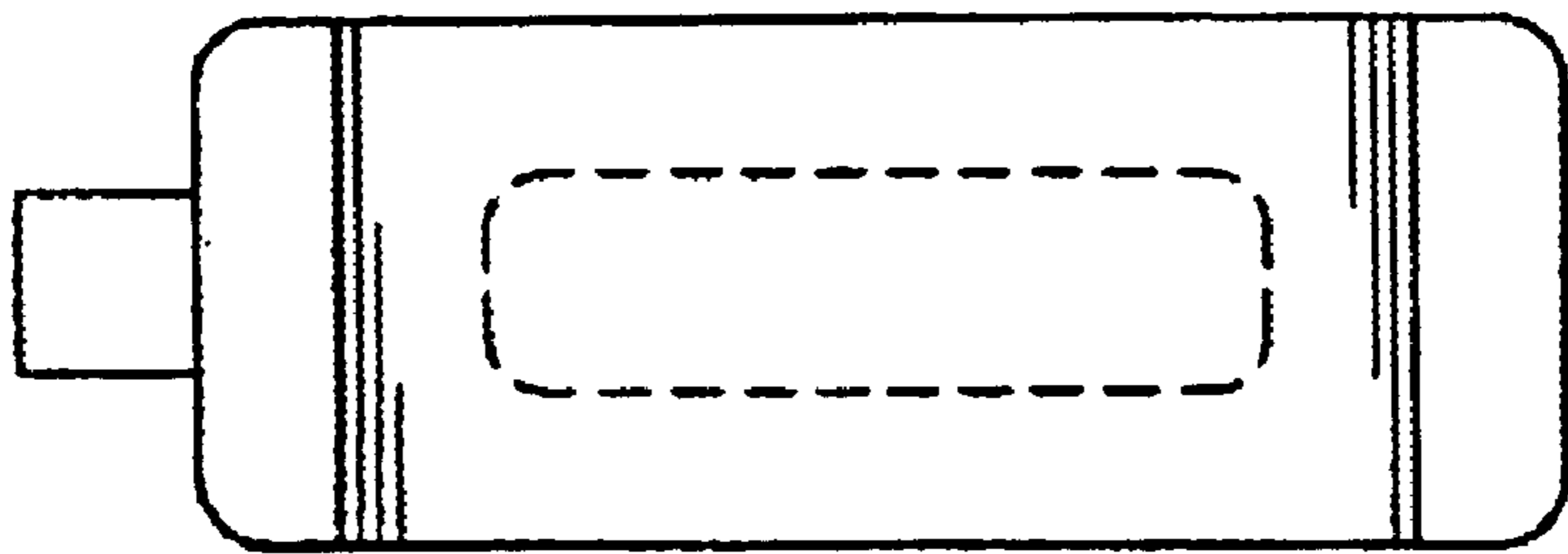


FIG. 3

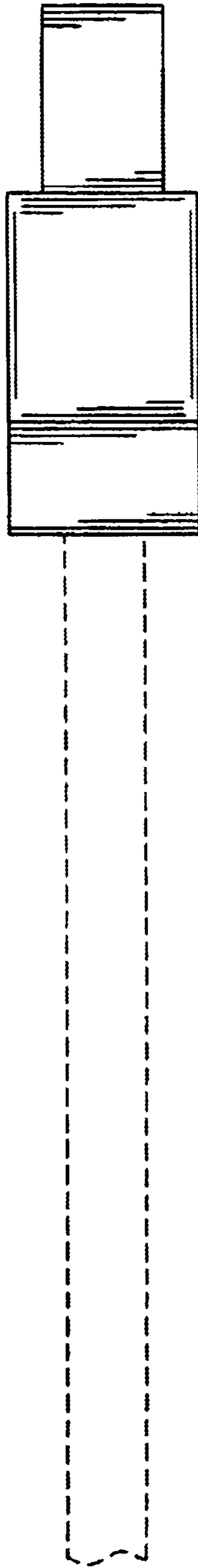


FIG. 4

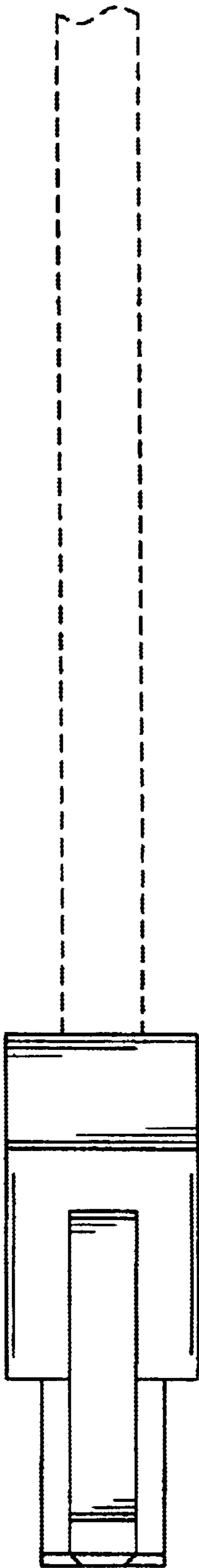


FIG. 5

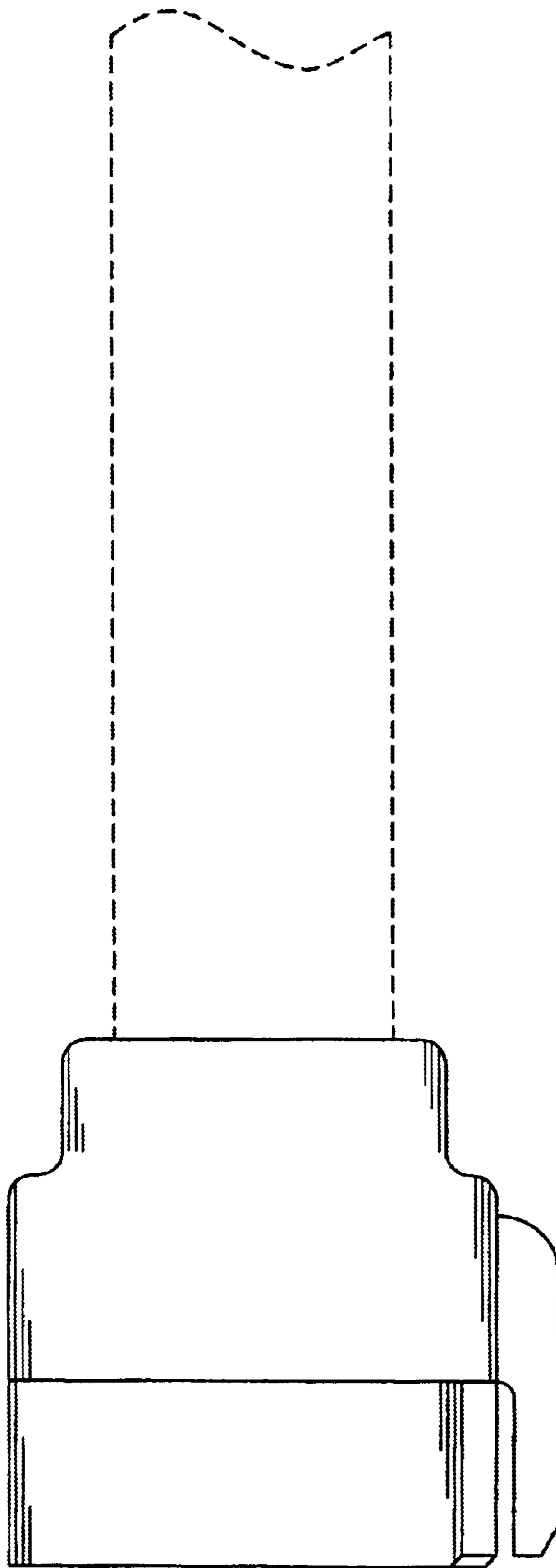


FIG. 6

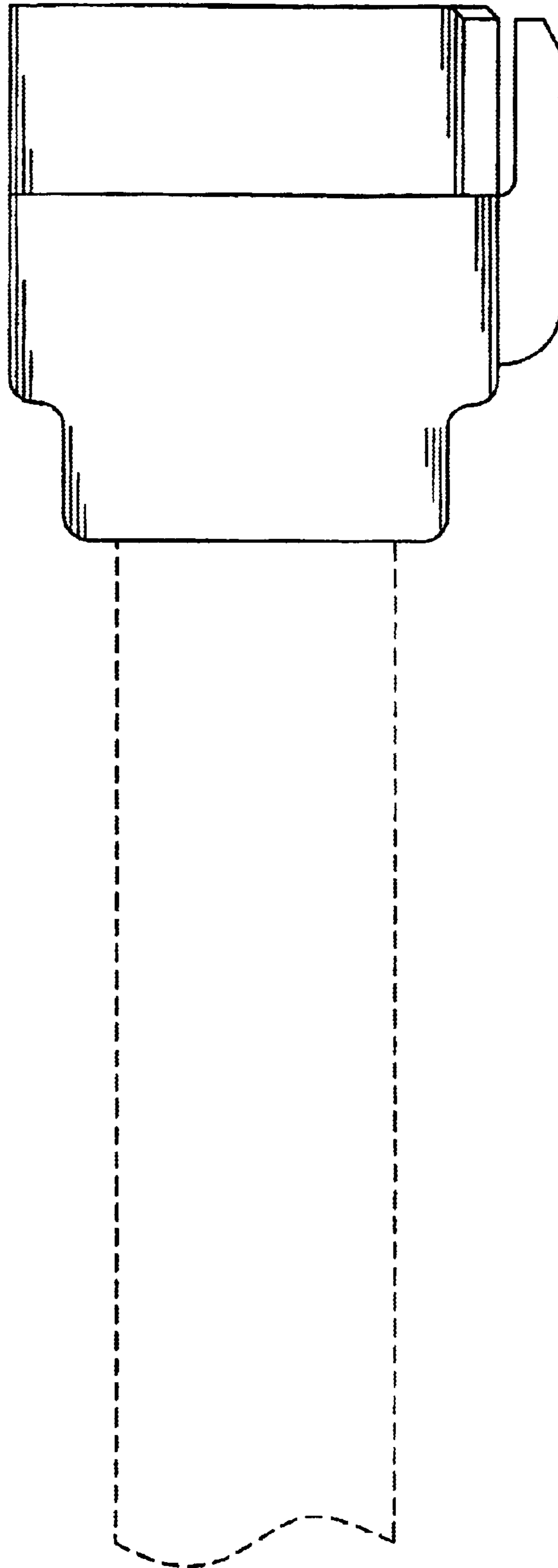


FIG. 7