



US00D491528S

(12) **United States Design Patent**
Fan

(10) **Patent No.:** **US D491,528 S**

(45) **Date of Patent:** **** Jun. 15, 2004**

- (54) **ELECTRICAL CONNECTOR**
- (75) Inventor: **Chia-Hao Fan, Tu-Chen (TW)**
- (73) Assignee: **Hon Hai Precision Ind. Co. Ltd., Taipei Hsien (TW)**
- (**) Term: **14 Years**
- (21) Appl. No.: **29/185,076**
- (22) Filed: **Jun. 20, 2003**
- (30) **Foreign Application Priority Data**
May 9, 2003 (TW) 092302919
- (51) **LOC (7) Cl.** **13-03**
- (52) **U.S. Cl.** **D13/147**
- (58) **Field of Search** D13/147; 439/74, 439/79, 83, 101, 108, 181, 378, 495, 637, 638, 680, 910

- D455,127 S * 4/2002 Wu D13/147
- 6,390,833 B1 * 5/2002 Chang 439/108
- 6,565,390 B2 * 5/2003 Wu 439/680
- 6,634,894 B1 * 10/2003 Ko 439/108
- 6,663,430 B2 * 12/2003 Usui et al. 439/609

* cited by examiner

Primary Examiner—Philip S. Hyder
Assistant Examiner—Selina Sikder
(74) *Attorney, Agent, or Firm*—Wei Te Chung

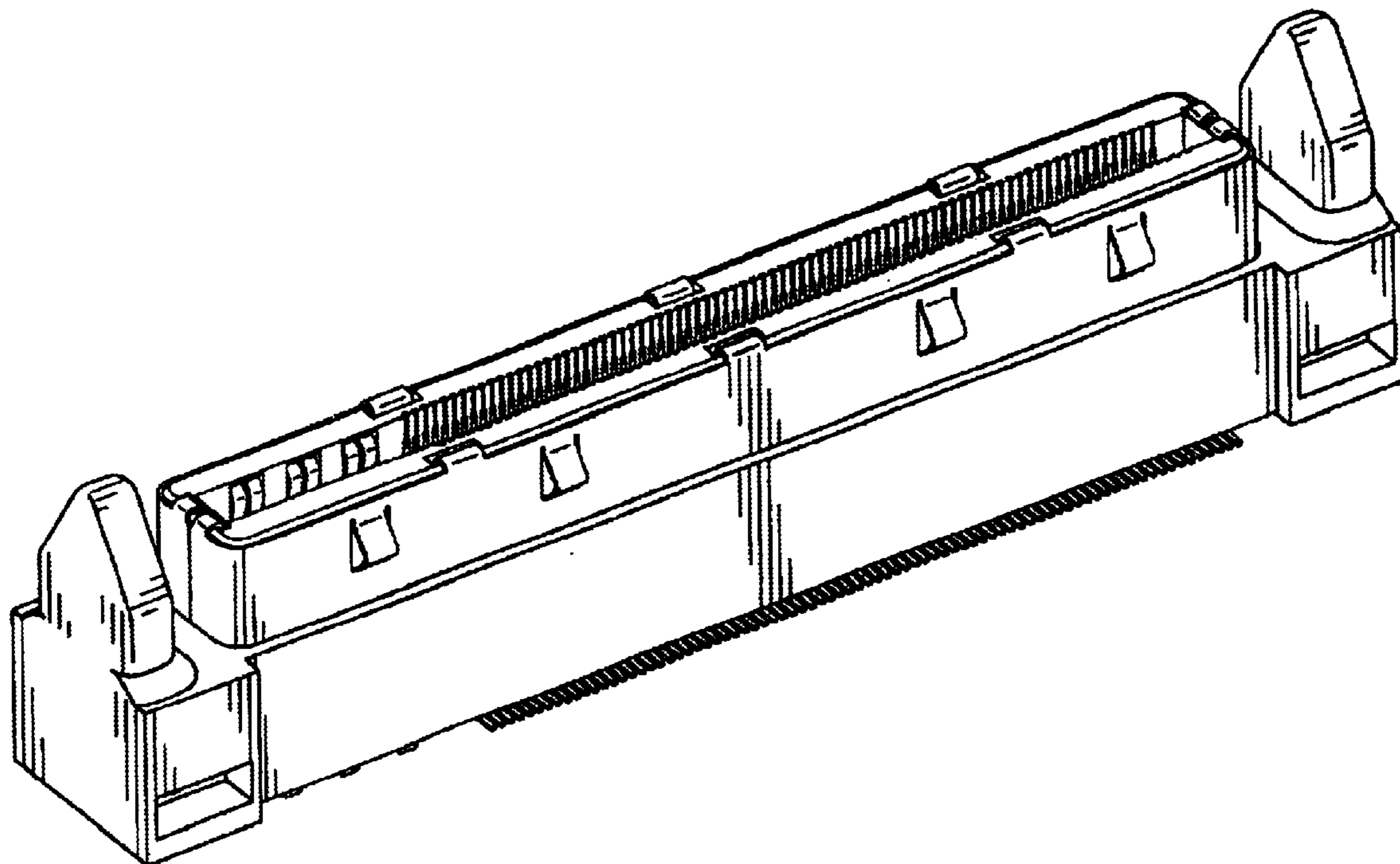
- (56) **References Cited**
U.S. PATENT DOCUMENTS
5,356,300 A * 10/1994 Costello et al. 439/101
5,466,171 A * 11/1995 Bixler et al. 439/378

(57) **CLAIM**
The ornamental design for an electrical connector, as shown.

DESCRIPTION

FIG. 1 is a front, top and left side perspective view of an electrical connector;
FIG. 2 is a front elevational view thereof;
FIG. 3 is a rear elevational view thereof;
FIG. 4 is a left side elevational view thereof;
FIG. 5 is a right side elevational view thereof;
FIG. 6 is a top plan view thereof; and,
FIG. 7 is a bottom plan view thereof.

1 Claim, 6 Drawing Sheets



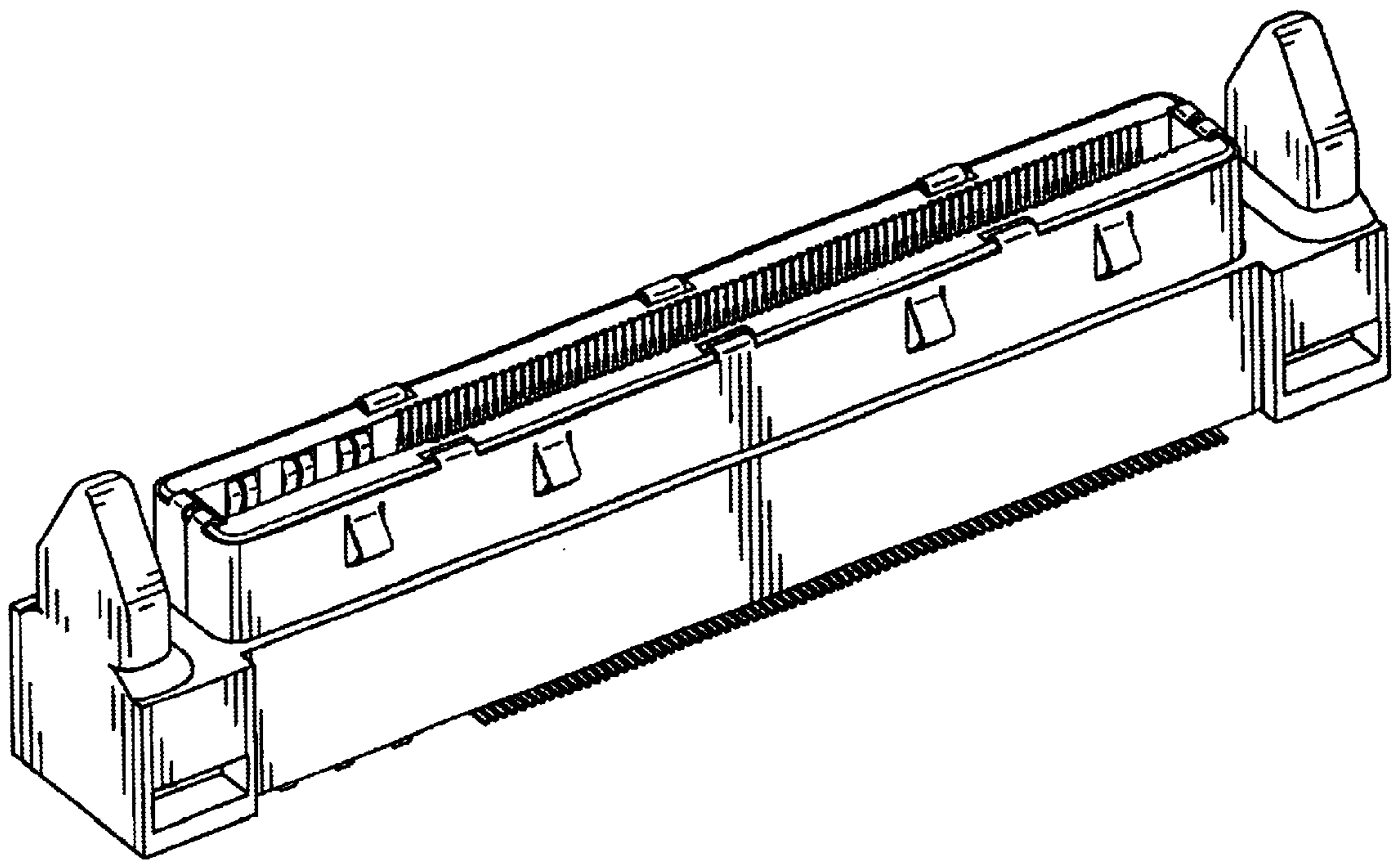


FIG. 1

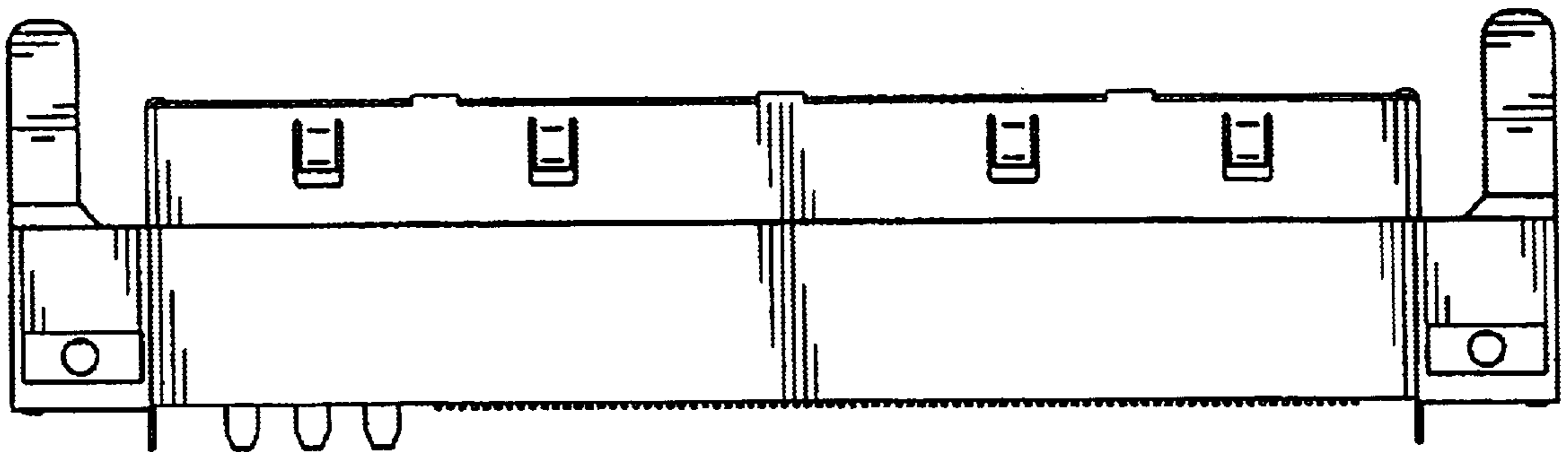


FIG. 2

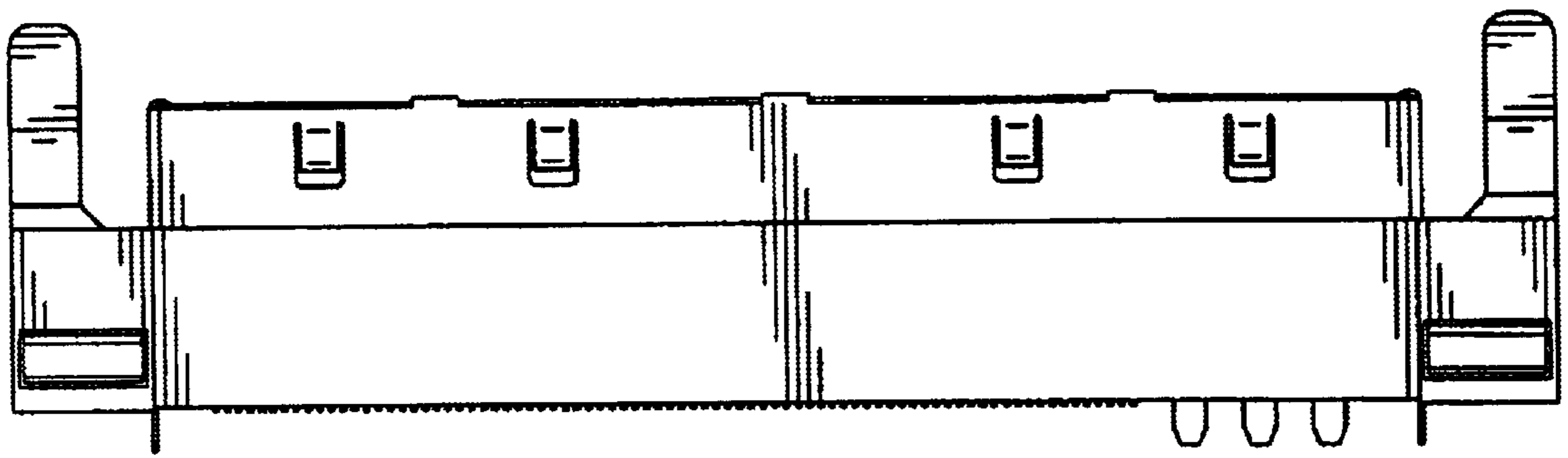


FIG. 3

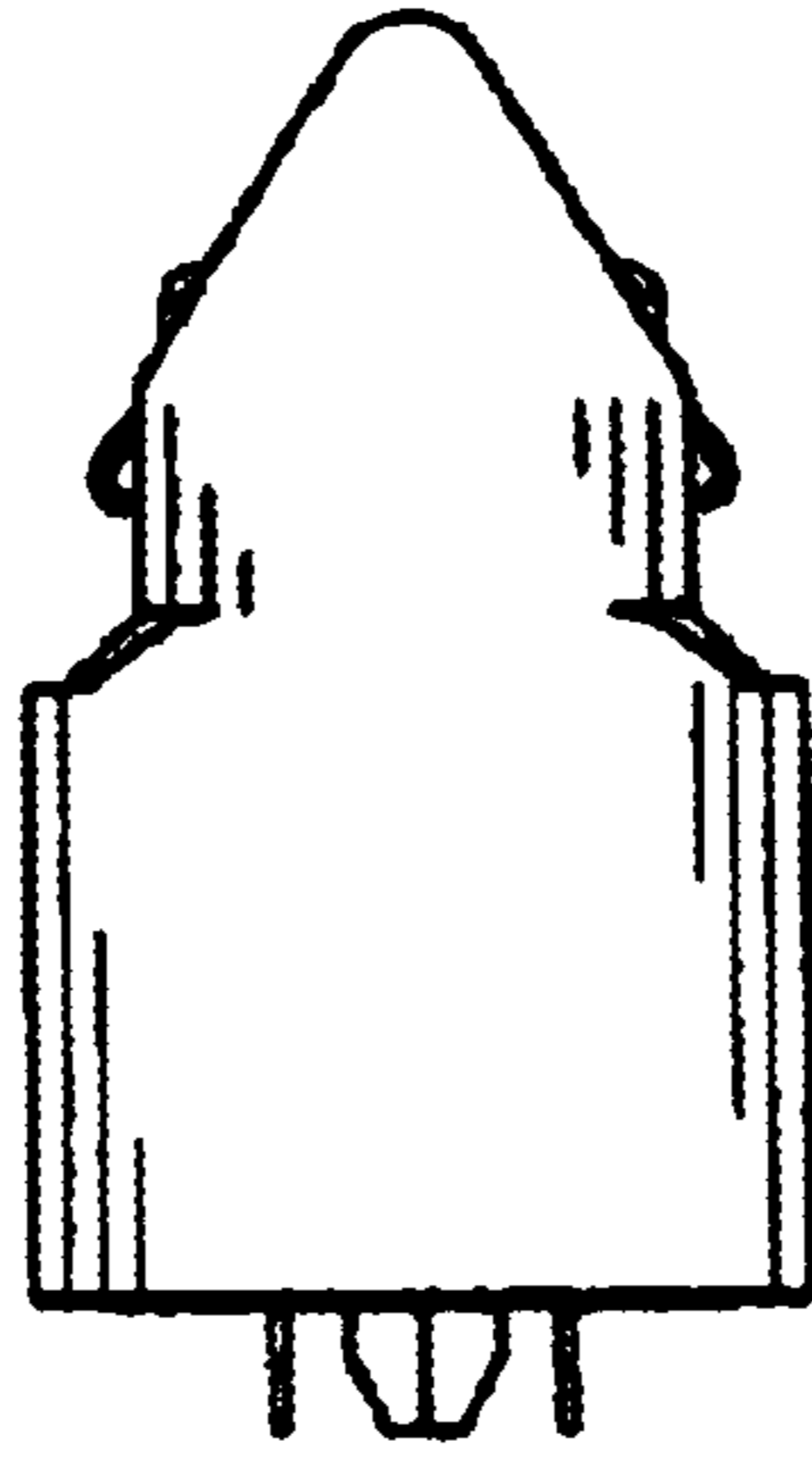


FIG. 4

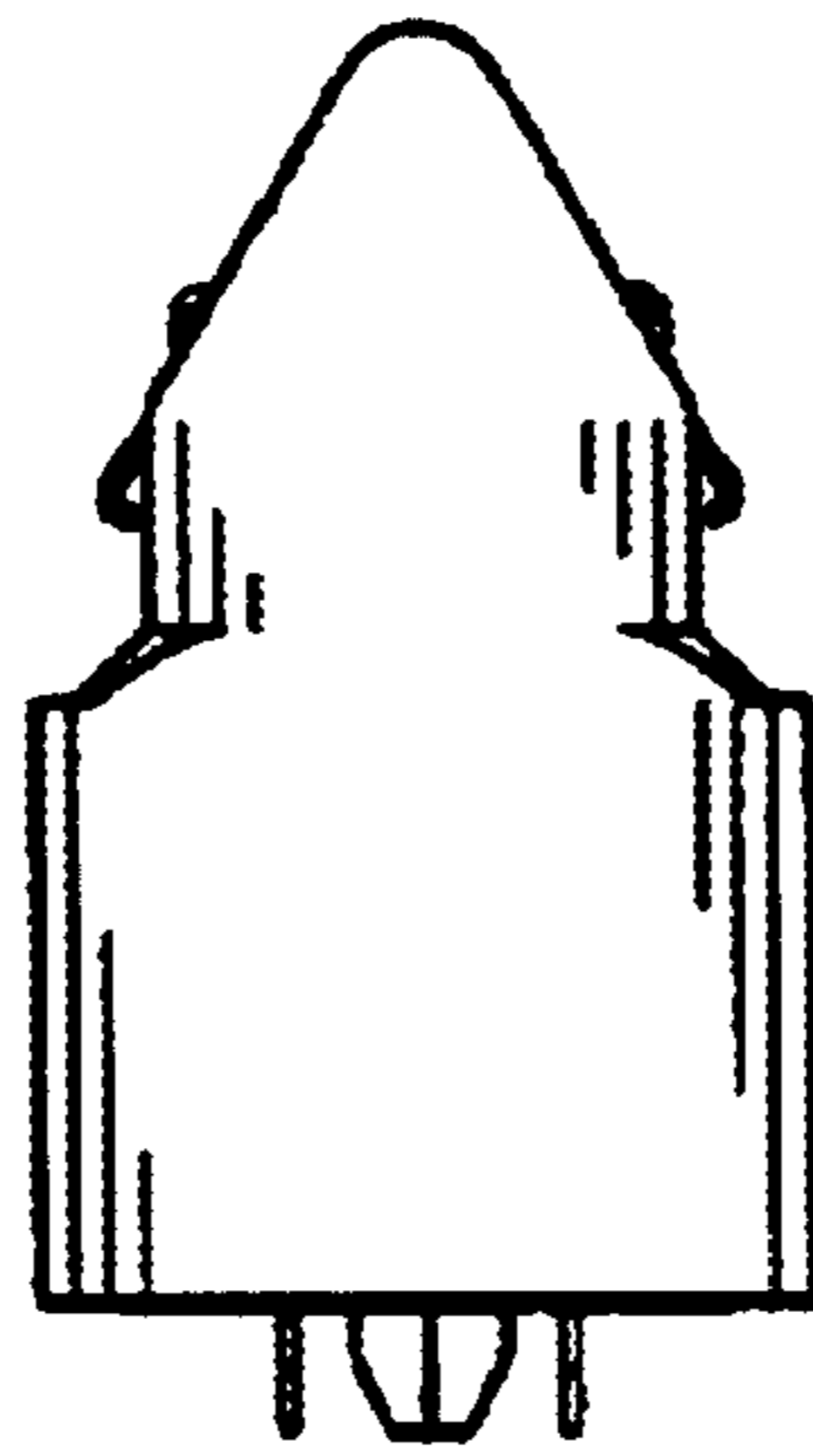


FIG. 5

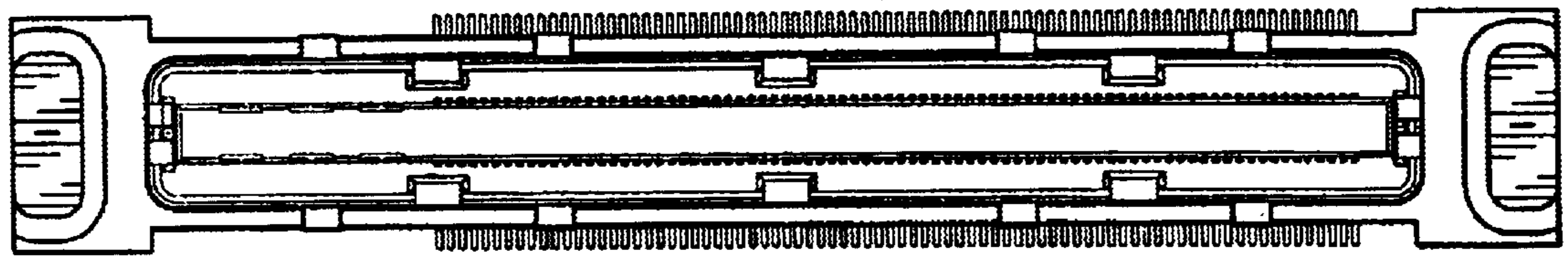


FIG. 6

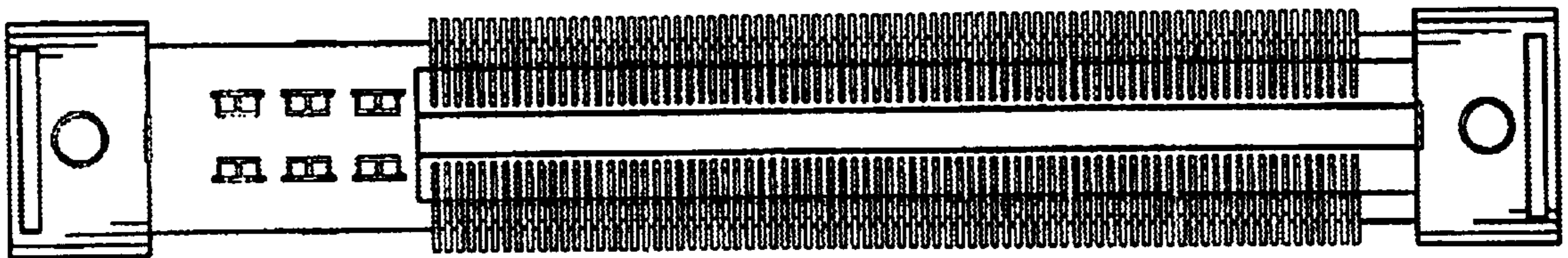


FIG. 7