



US00D491524S

(12) **United States Design Patent**  
**Imai**

(10) **Patent No.:** **US D491,524 S**

(45) **Date of Patent:** **\*\* Jun. 15, 2004**

(54) **CONTROL PANEL FOR AN ENGINE OPERATED GENERATOR**

(75) Inventor: **Shuhei Imai, Saitama (JP)**

(73) Assignee: **Honda Giken Kogyo Kabushiki Kaisha, Tokyo (JP)**

(\*\*) Term: **14 Years**

(21) Appl. No.: **29/179,848**

(22) Filed: **Apr. 16, 2003**

(30) **Foreign Application Priority Data**

Nov. 18, 2002 (JP) ..... 2002-031657

(51) **LOC (7) Cl.** ..... **13-01**

(52) **U.S. Cl.** ..... **D13/112**

(58) **Field of Search** ..... D13/110, 111, D13/112, 113, 114, 115, 118, 184, 199, 162, 164, 177; 165/1.1; 200/5 A, 5 R; 361/422

(56) **References Cited**

**U.S. PATENT DOCUMENTS**

- D275,104 S \* 8/1984 Kuschewski et al. .... D14/114
- D314,743 S \* 2/1991 Ishii ..... D13/116
- D366,027 S \* 1/1996 Hout ..... D13/162

- D373,571 S \* 9/1996 Zambelli et al. .... D13/162
- D416,544 S \* 11/1999 Jordan ..... D13/162
- D441,714 S \* 5/2001 Yuzuriha ..... D13/116
- 6,331,740 B1 \* 12/2001 Morohoshi et al. .... 290/1 A
- D478,311 S \* 8/2003 Yaguchi et al. .... D13/114

\* cited by examiner

*Primary Examiner*—Philip S. Hyder

*Assistant Examiner*—Daniel Bui

(74) *Attorney, Agent, or Firm*—Westerman, Hattori, Daniels & Adrian, LLP

(57) **CLAIM**

The ornamental design for, control panel for an engine operated generator, as shown and described.

**DESCRIPTION**

FIG. 1 is a front elevation view of control panel for an engine operated generator, showing my new design;  
 FIG. 2 is a rear elevation view thereof;  
 FIG. 3 is a top plan view thereof;  
 FIG. 4 is a bottom plan view thereof;  
 FIG. 5 is a right side elevation view thereof;  
 FIG. 6 is a left side elevation view thereof; and,  
 FIG. 7 is a front perspective view thereof.

**1 Claim, 4 Drawing Sheets**

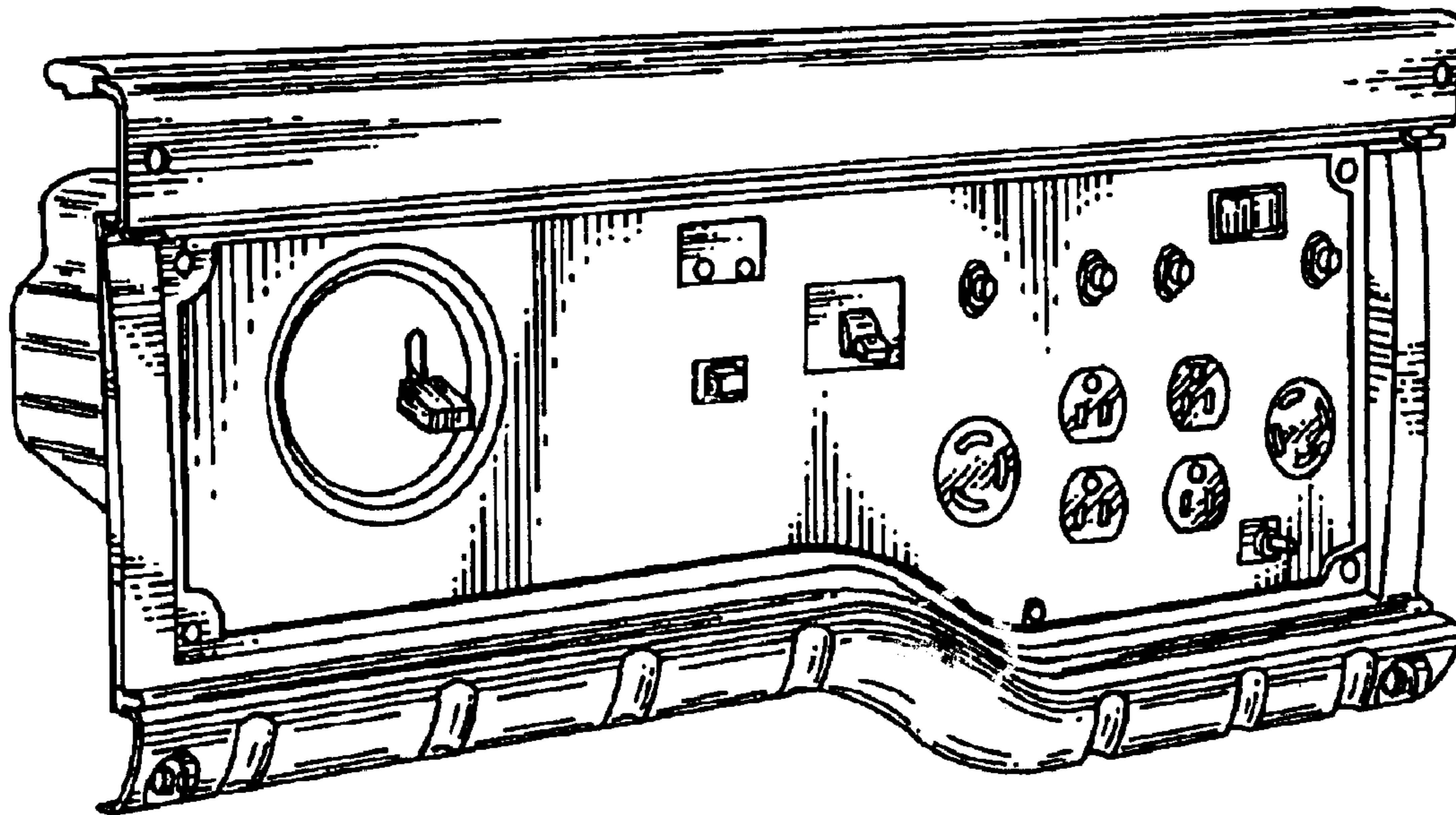


FIG. 1

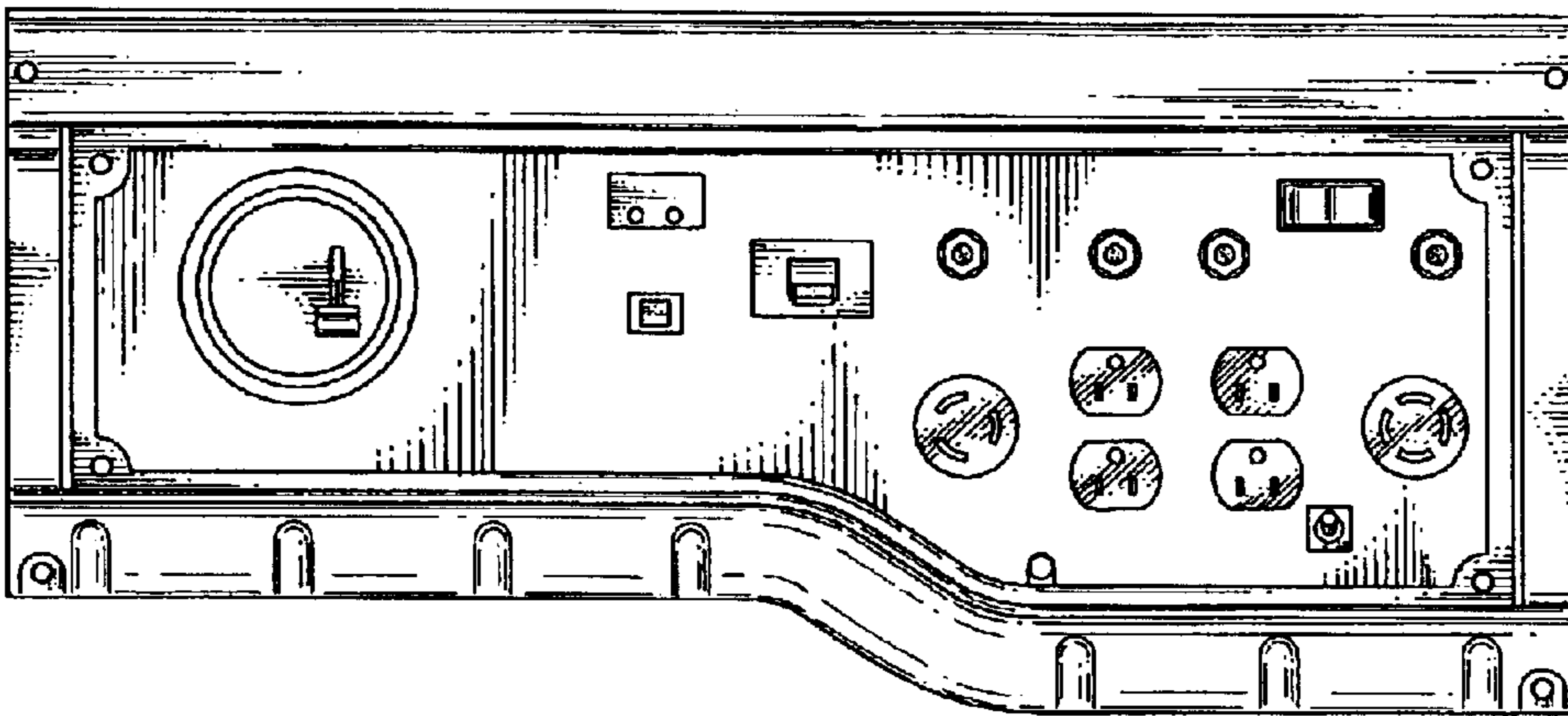


FIG. 2

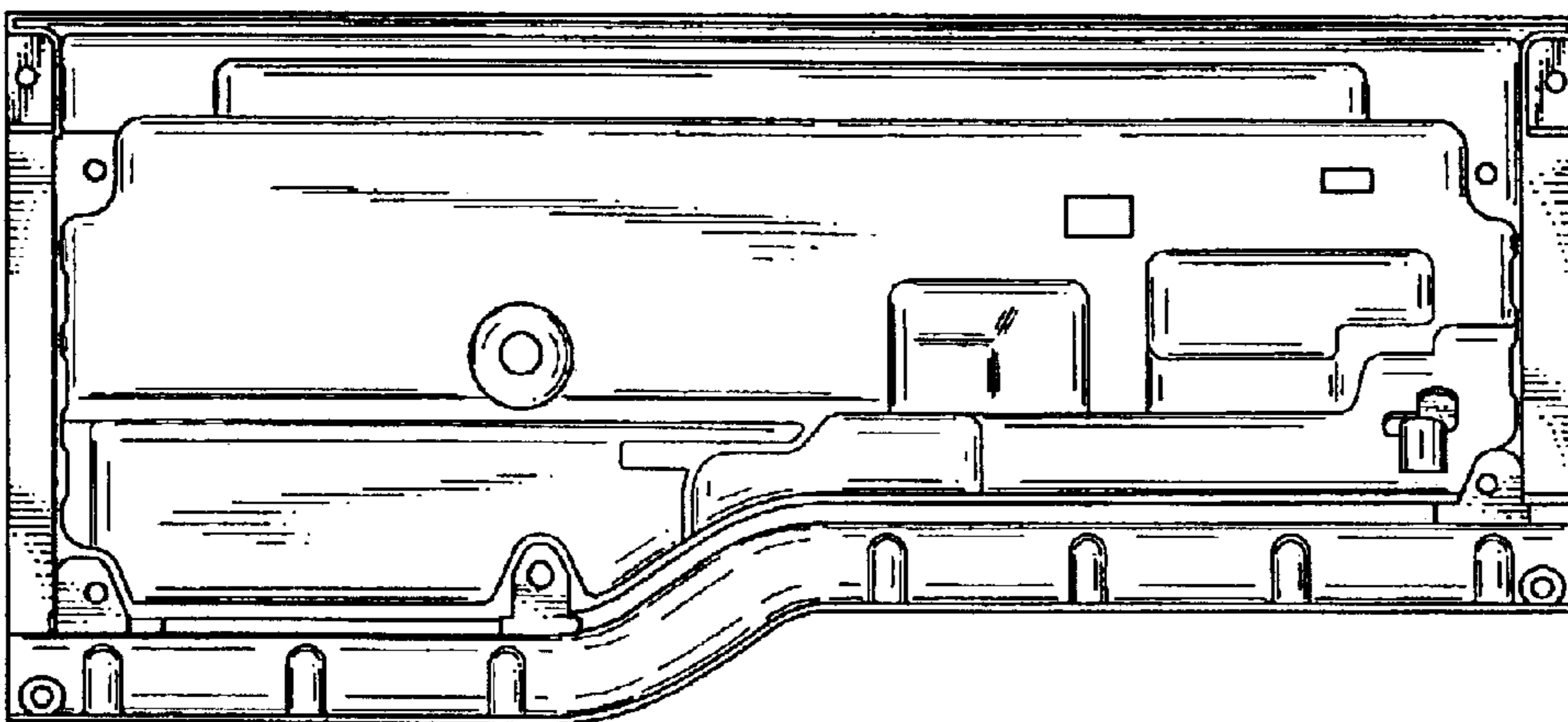


FIG. 3

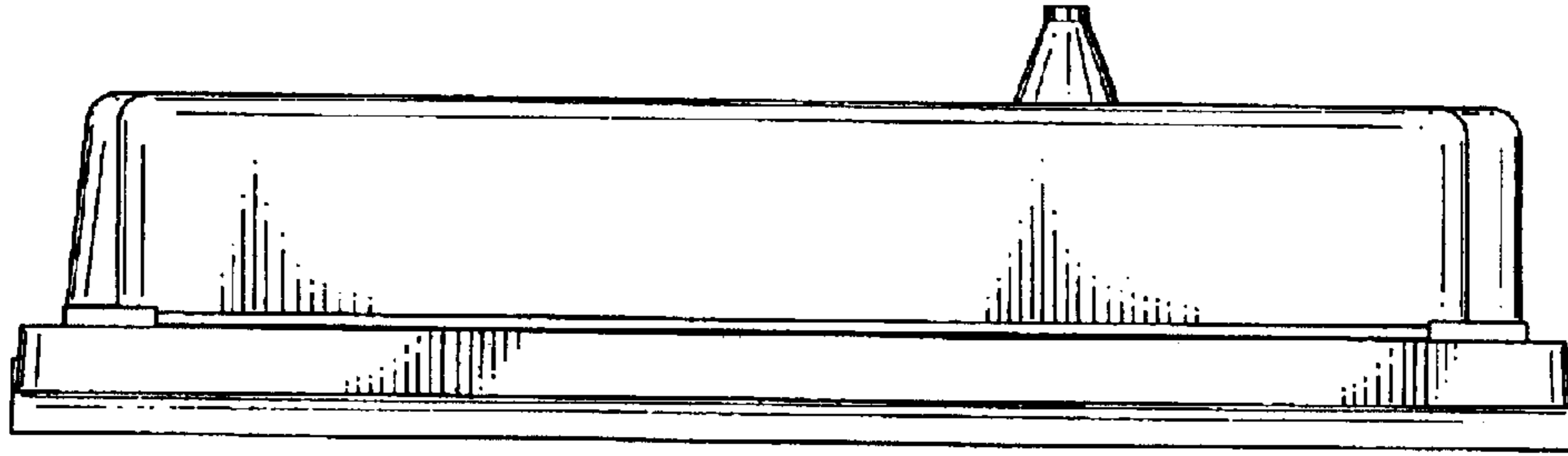
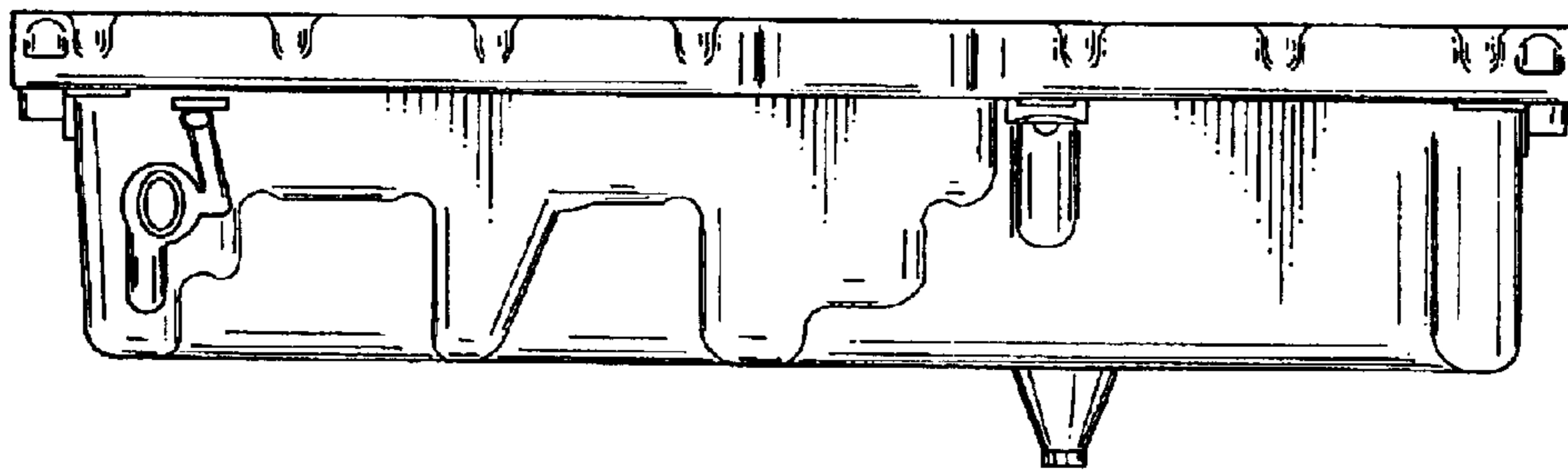
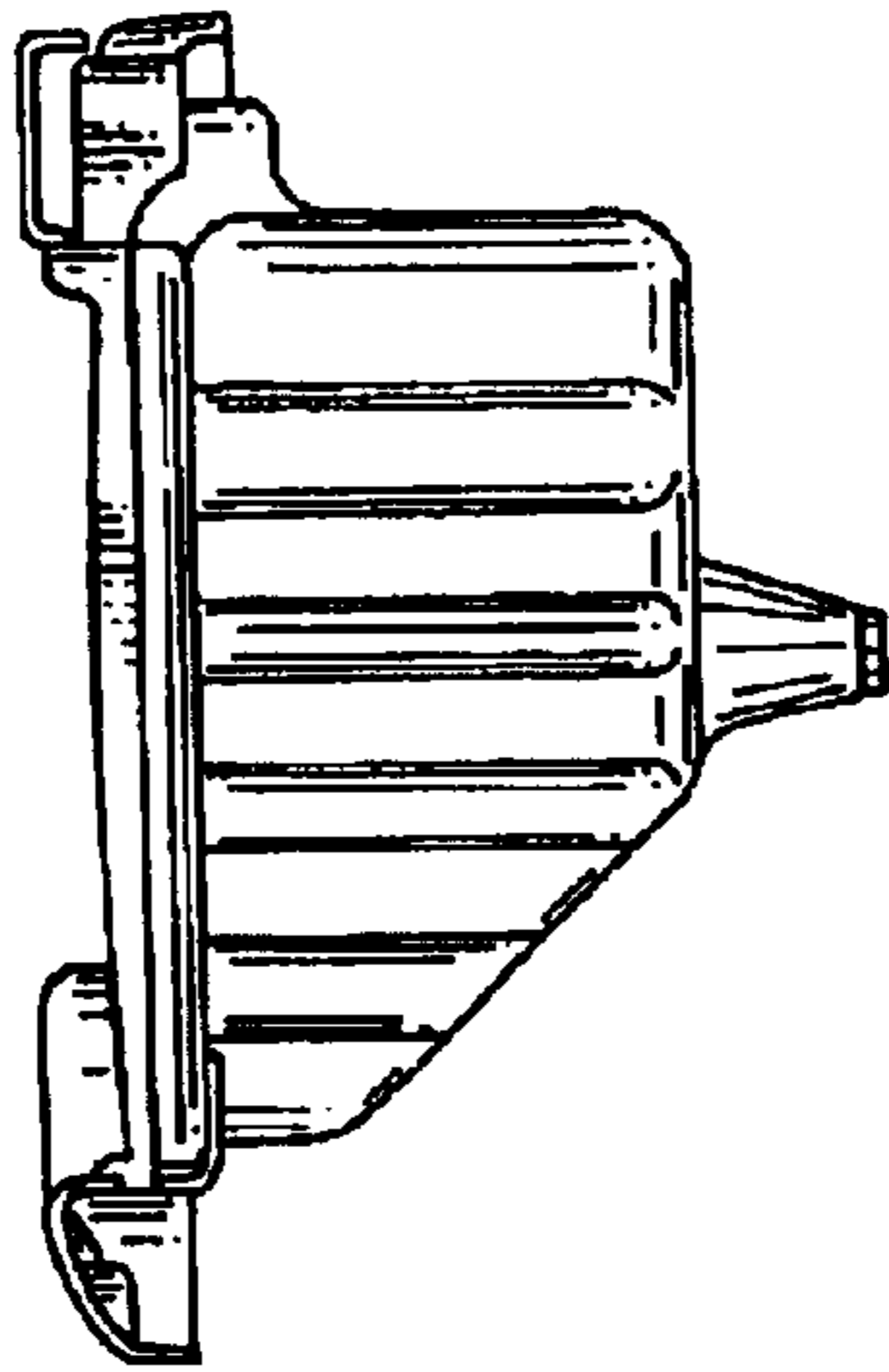


FIG. 4



F I G. 5



F I G. 6

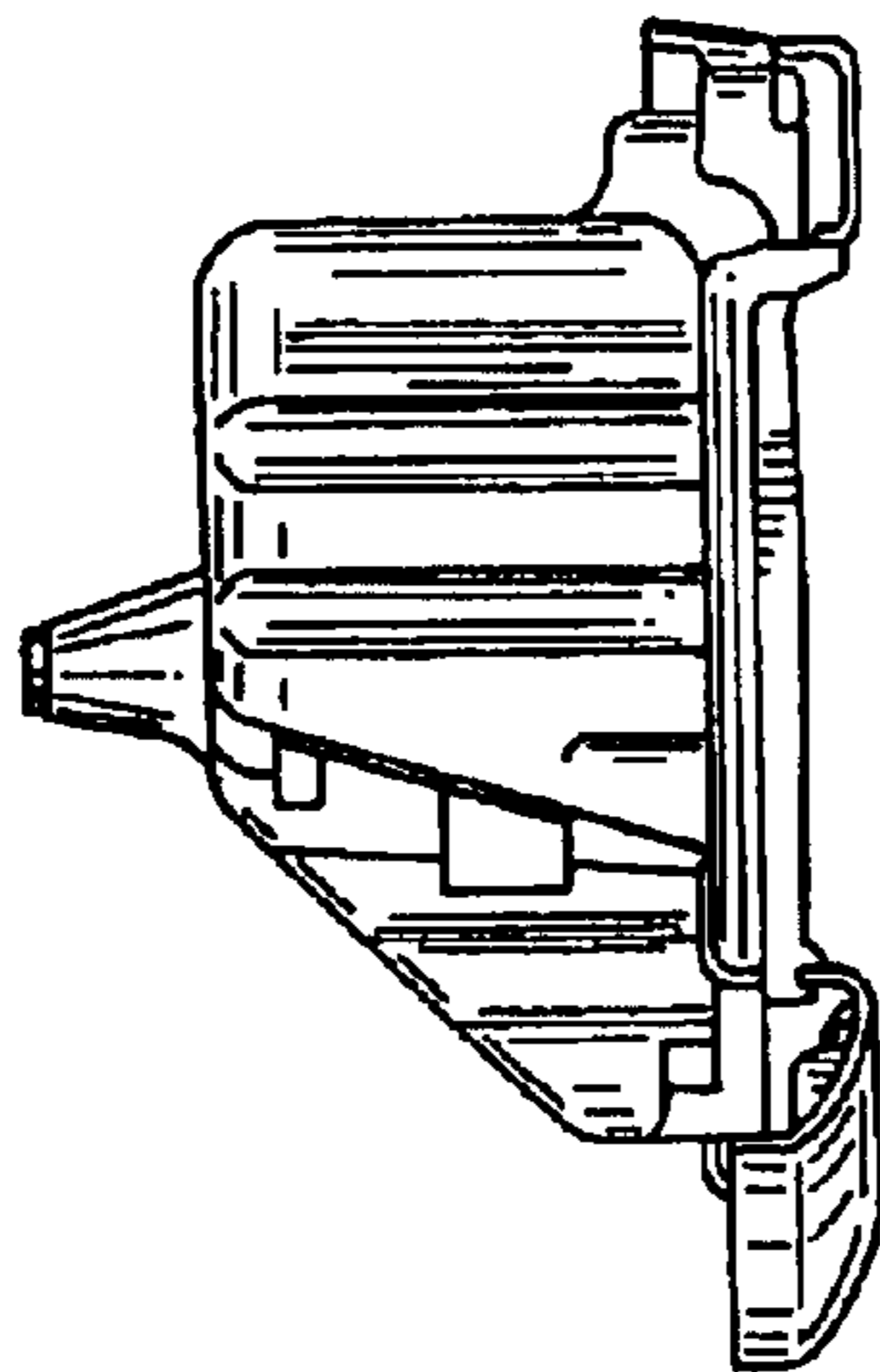


FIG. 7

