



US00D491523S

(12) **United States Design Patent**
Chi et al.

(10) **Patent No.:** **US D491,523 S**

(45) **Date of Patent:** **** Jun. 15, 2004**

(54) **POWER SUPPLY**

(75) Inventors: **Pei-Chin Chi**, Taipei (TW); **Li-Yang Chang**, Taipei (TW); **Chi-Hsiang Kao**, Taipei (TW)

(73) Assignee: **Elitegroup Computer Systems Co., Ltd.**, Taipei (TW)

(**) Term: **14 Years**

(21) Appl. No.: **29/187,045**

(22) Filed: **Jul. 28, 2003**

(51) **LOC (7) Cl.** **13-02**

(52) **U.S. Cl.** **D13/110**

(58) **Field of Search** D13/110, 112, D13/123, 184, 199; 165/122; 307/64, 66, 150, 151; 361/679; 363/141, 144

(56) **References Cited**

U.S. PATENT DOCUMENTS

- D286,280 S * 10/1986 Holtman et al. D13/101
- D288,800 S * 3/1987 Gemmell D13/110
- D314,183 S * 1/1991 Wong D13/160

- D403,662 S * 1/1999 Caldes et al. D13/110
- 6,099,354 A * 8/2000 Troyan 439/638
- D462,320 S * 9/2002 Krieger et al. D13/107
- D483,725 S * 12/2003 Thompson et al. D13/184

* cited by examiner

Primary Examiner—Philip S. Hyder

Assistant Examiner—Daniel Bui

(74) *Attorney, Agent, or Firm*—Bacon & Thomas

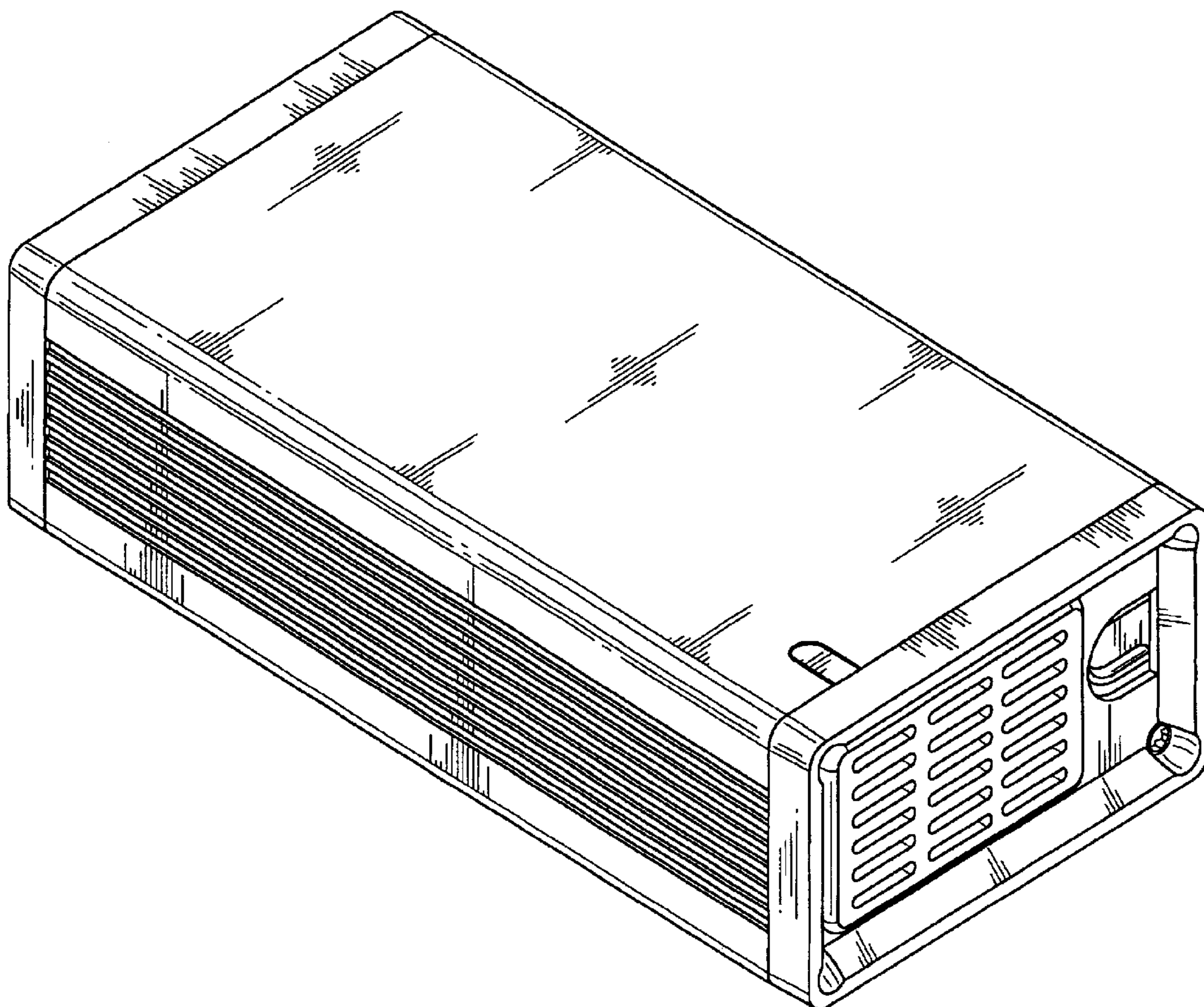
(57) **CLAIM**

The ornamental design for a power supply, as shown and described.

DESCRIPTION

FIG. 1 is a perspective view of power supply showing my new design.
 FIG. 2 is a front elevational view thereof;
 FIG. 3 is a rear elevational view thereof;
 FIG. 4 is a left side elevational view thereof;
 FIG. 5 is a right side elevational view thereof;
 FIG. 6 is a top plan view thereof; and,
 FIG. 7 is a bottom plan view thereof.

1 Claim, 5 Drawing Sheets



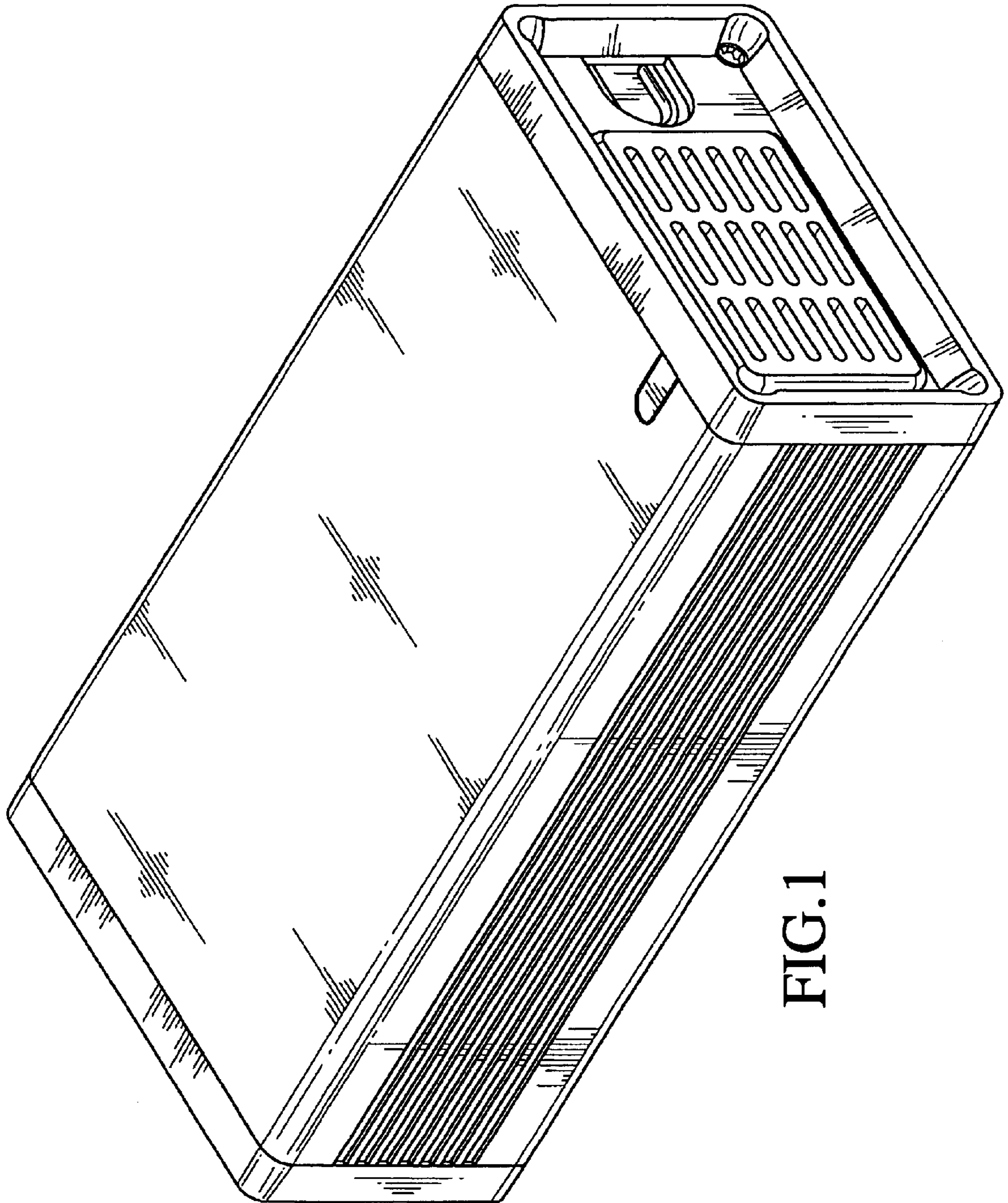


FIG. 1

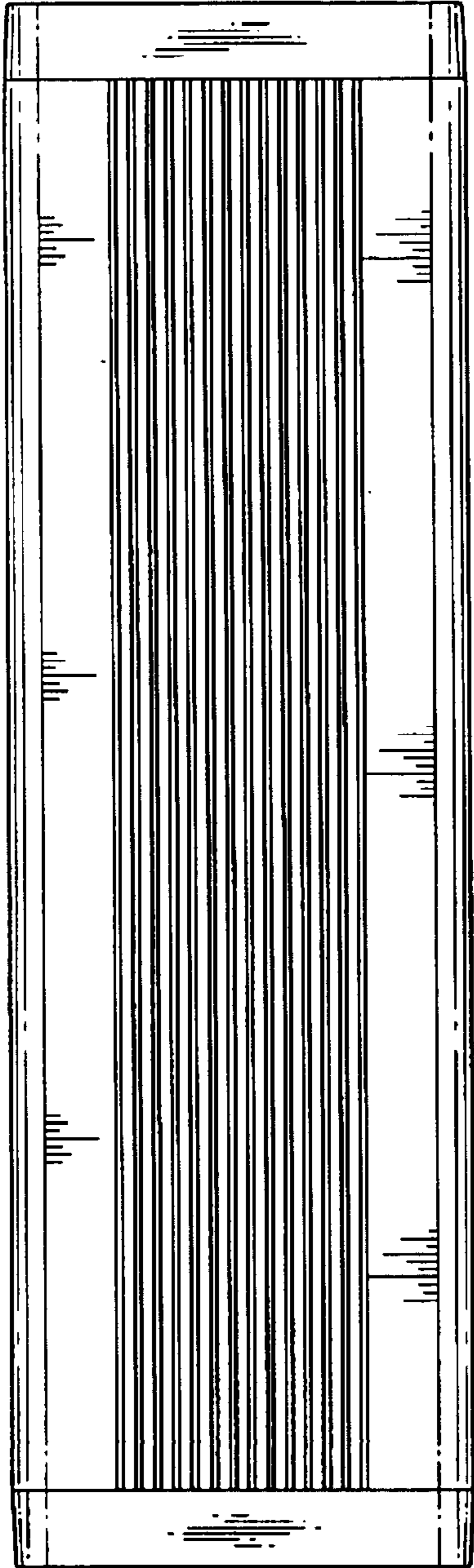


FIG. 2

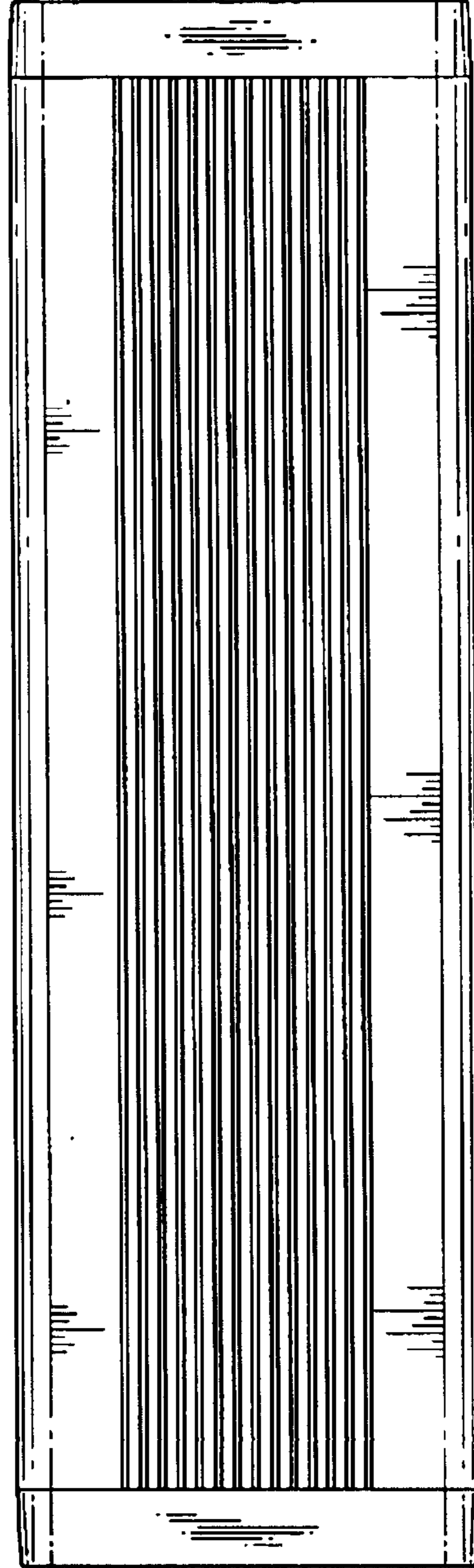


FIG. 3

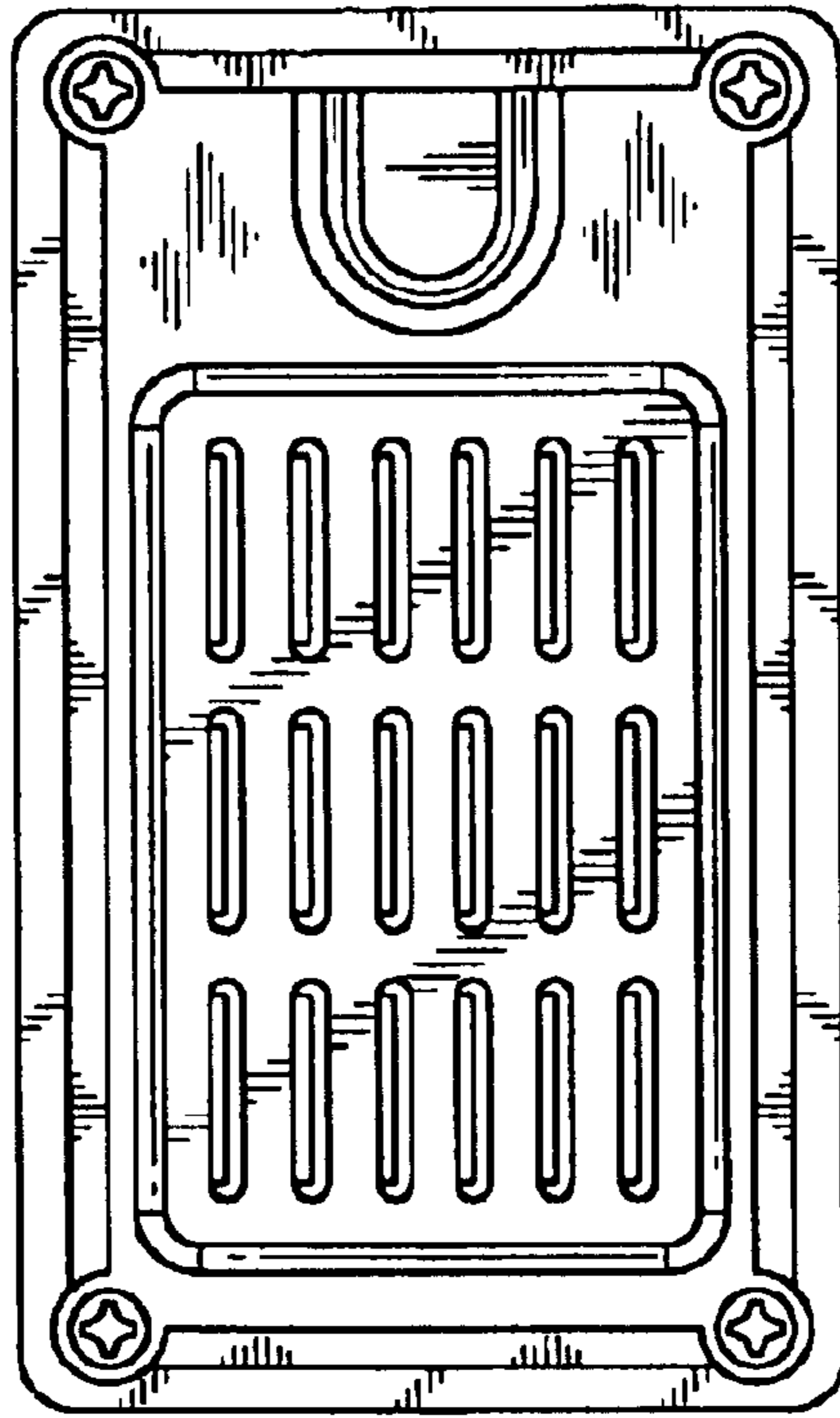


FIG.5

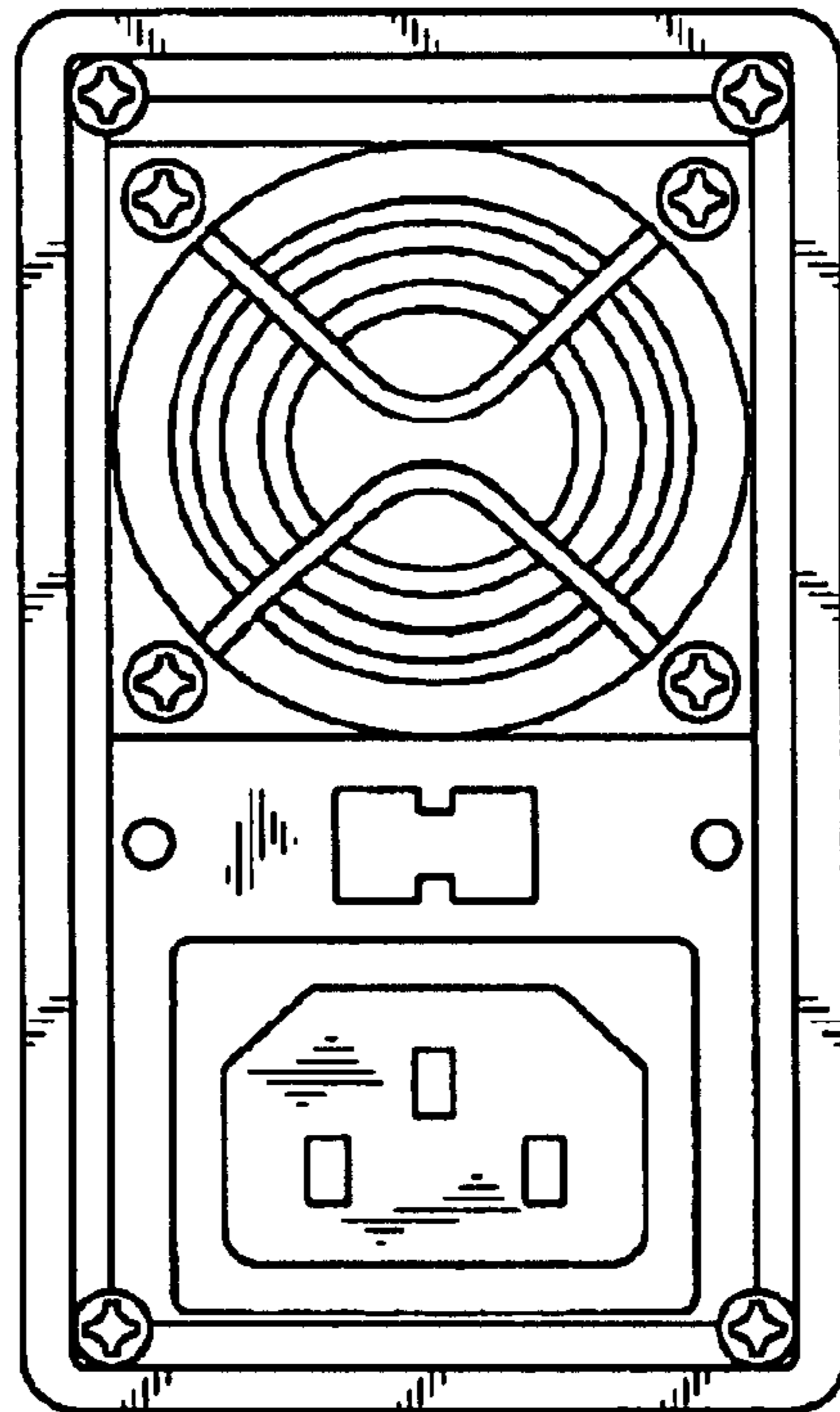


FIG.4

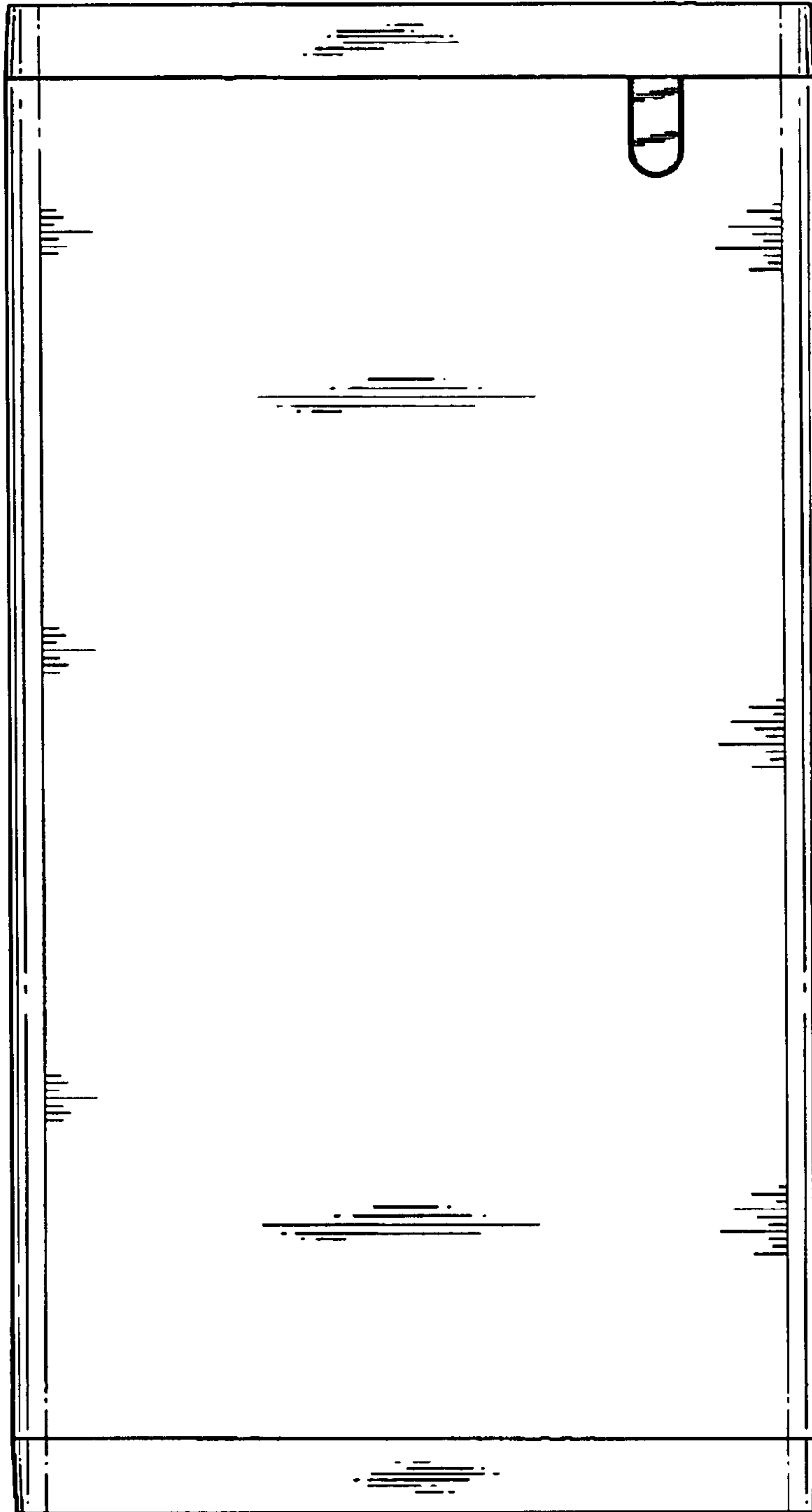


FIG.6

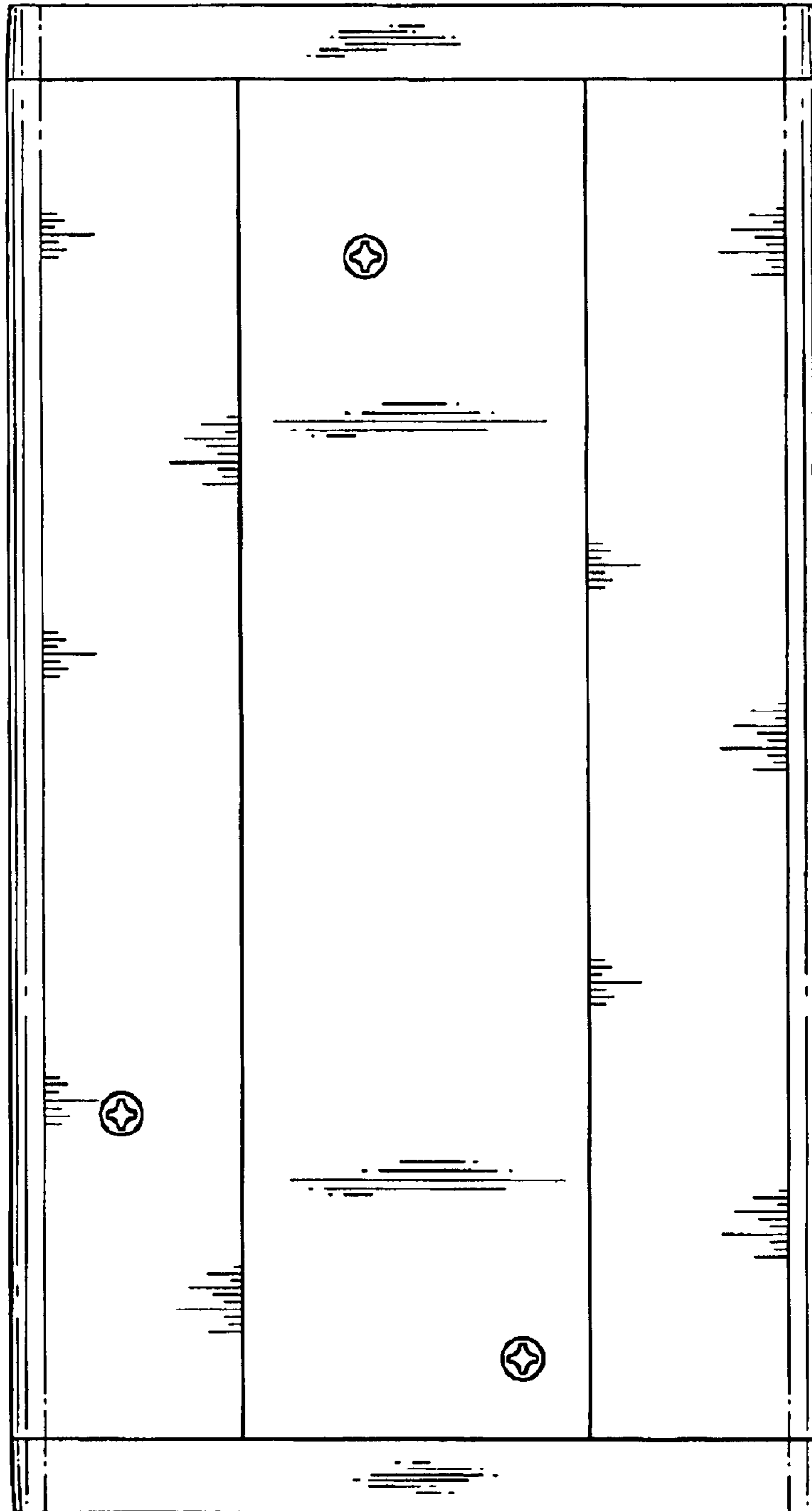


FIG. 7