



US00D491521S

(12) **United States Design Patent**
Yamamoto

(10) **Patent No.:** **US D491,521 S**
(45) **Date of Patent:** **** Jun. 15, 2004**

(54) **BATTERY CHARGER**

2003/0039103 A1 * 2/2003 Wang 361/728

(75) Inventor: **Yuji Yamamoto, Anjo (JP)**

FOREIGN PATENT DOCUMENTS

(73) Assignee: **Makita Corporation, Aichi-ken (JP)**

JP 959790 10/1995

(**) Term: **14 Years**

* cited by examiner

(21) Appl. No.: **29/193,618**

Primary Examiner—Joel Sincavage

(22) Filed: **Nov. 13, 2003**

(74) *Attorney, Agent, or Firm*—Dennison, Schultz,
Dougherty & MacDonald

(30) **Foreign Application Priority Data**

(57) **CLAIM**

Jun. 24, 2003 (JP) 2003-021932

The ornamental design for a battery charger, as shown and described.

(51) **LOC (7) Cl.** **13-02**

DESCRIPTION

(52) **U.S. Cl.** **D13/103**

(58) **Field of Search** D13/107, 108;
320/107–116

FIG. 1 is a perspective view of a battery charger as viewed from an upper front-right side thereof showing our new design.

(56) **References Cited**

U.S. PATENT DOCUMENTS

- 4,288,733 A * 9/1981 Bilanceri et al. 320/113
- D302,808 S * 8/1989 Skuza et al. D13/107
- D313,004 S * 12/1990 Hasegawa et al. D13/108
- D321,337 S * 11/1991 Sakamoto et al. D13/108
- 5,065,082 A * 11/1991 Fushiya 320/110
- D327,669 S * 7/1992 Sakamoto et al. D13/108
- D404,006 S * 1/1999 Clowers et al. D13/107

FIG. 2 is a perspective view of a battery charger as viewed from an upper rear-left side thereof.

FIG. 3 is a front elevation view thereof;

FIG. 4 is a rear elevation view thereof;

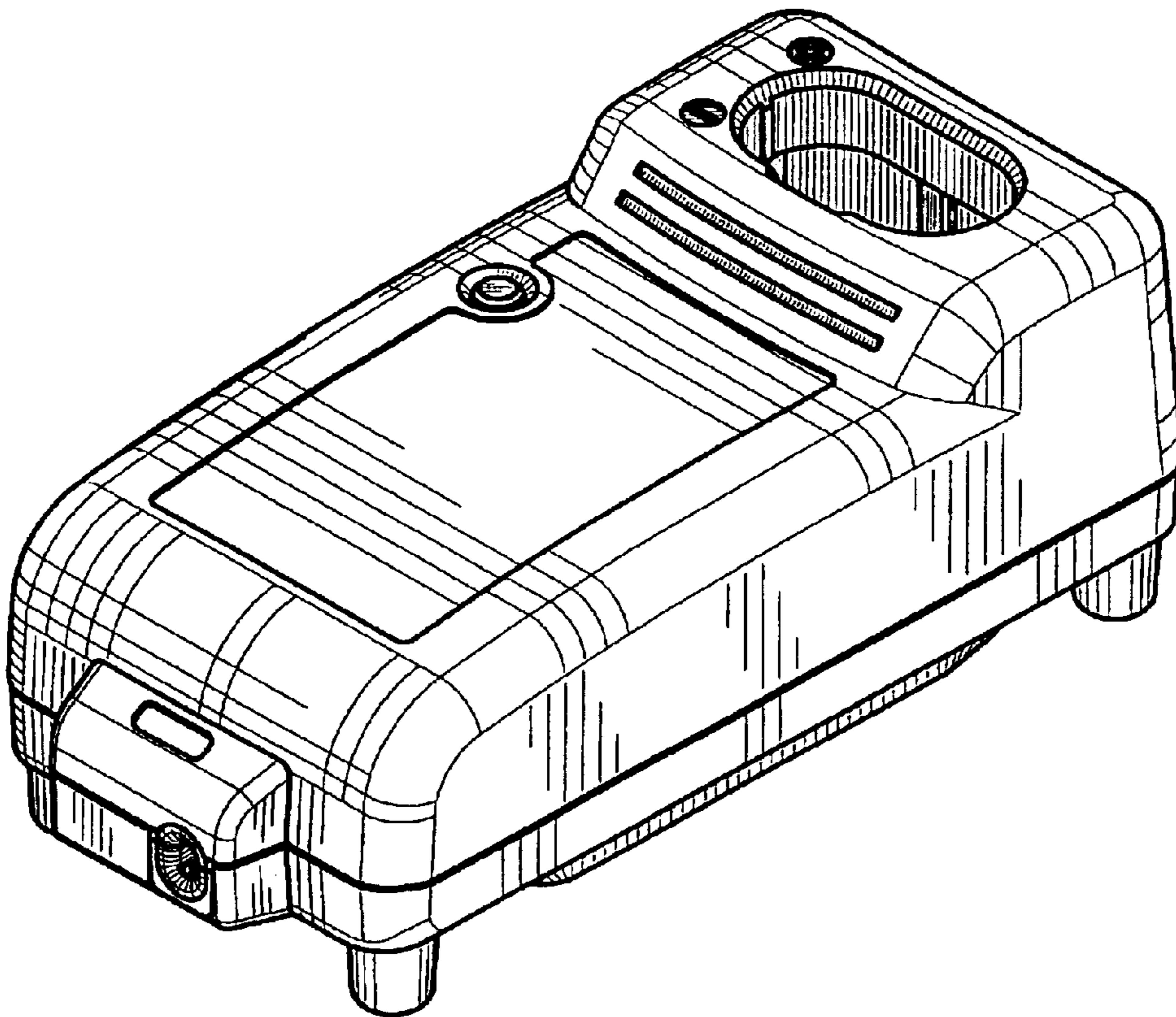
FIG. 5 is a left side elevation view thereof;

FIG. 6 is a right side elevation view thereof;

FIG. 7 is a top plan view thereof; and,

FIG. 8 is a bottom view thereof.

1 Claim, 4 Drawing Sheets



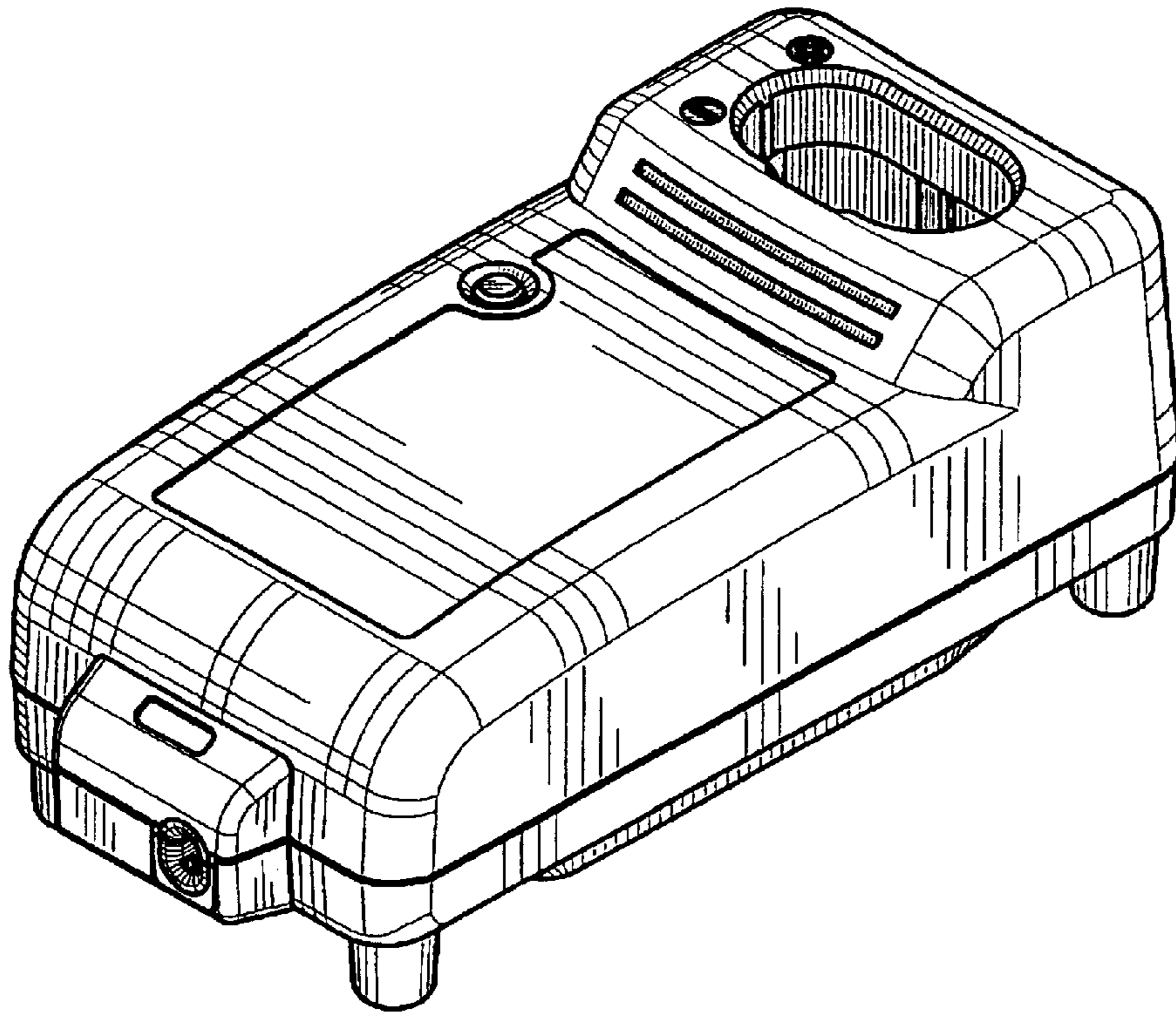


FIG. 1

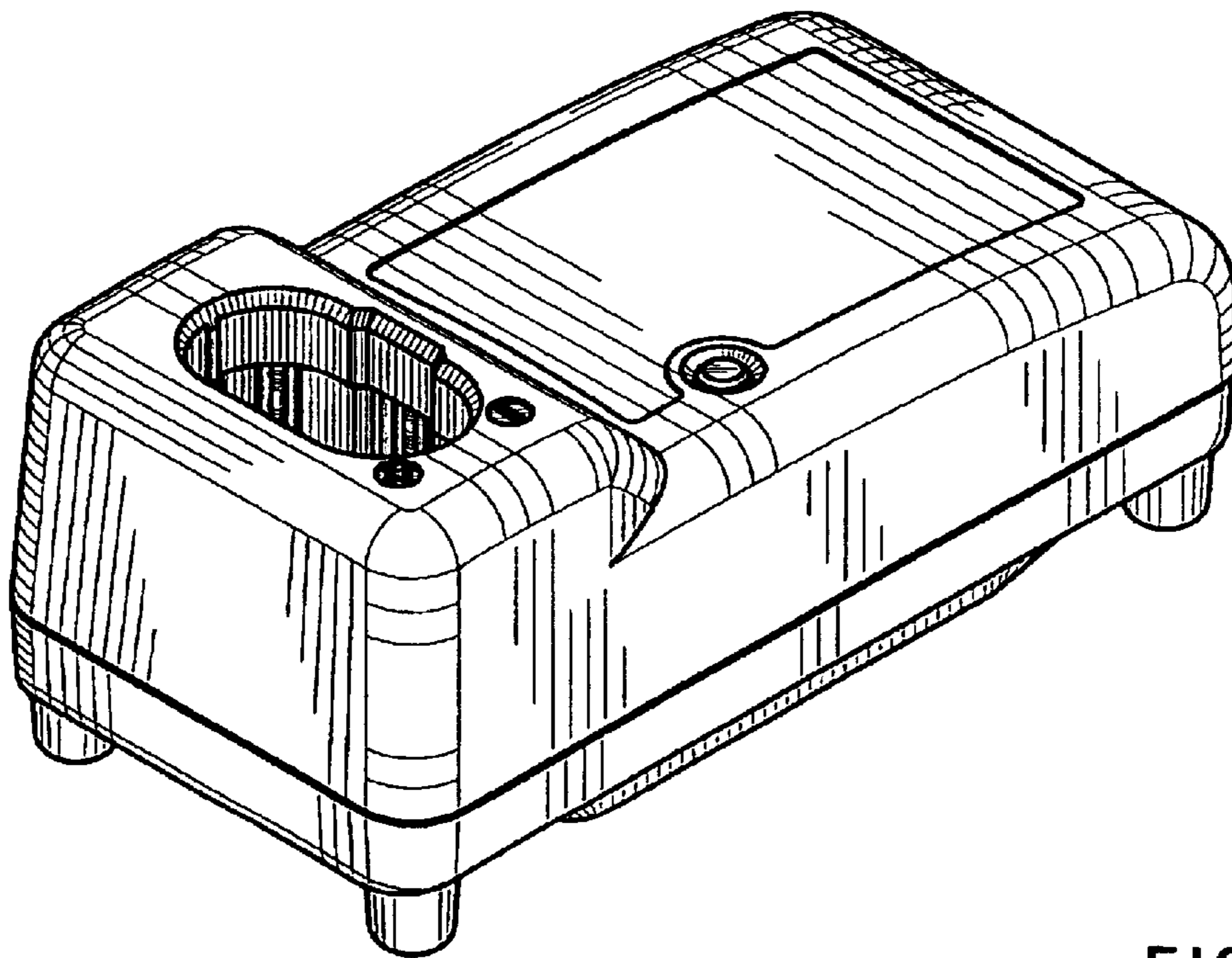


FIG. 2

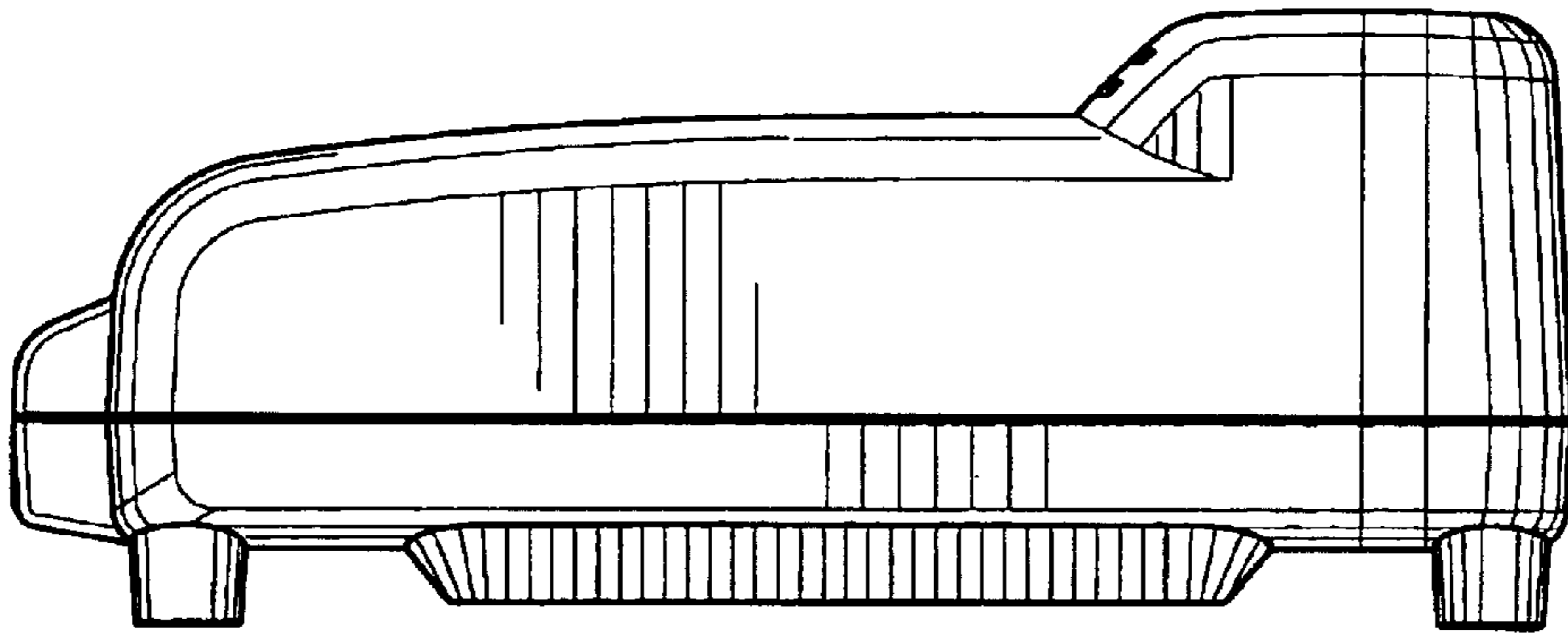


FIG. 3



FIG. 4

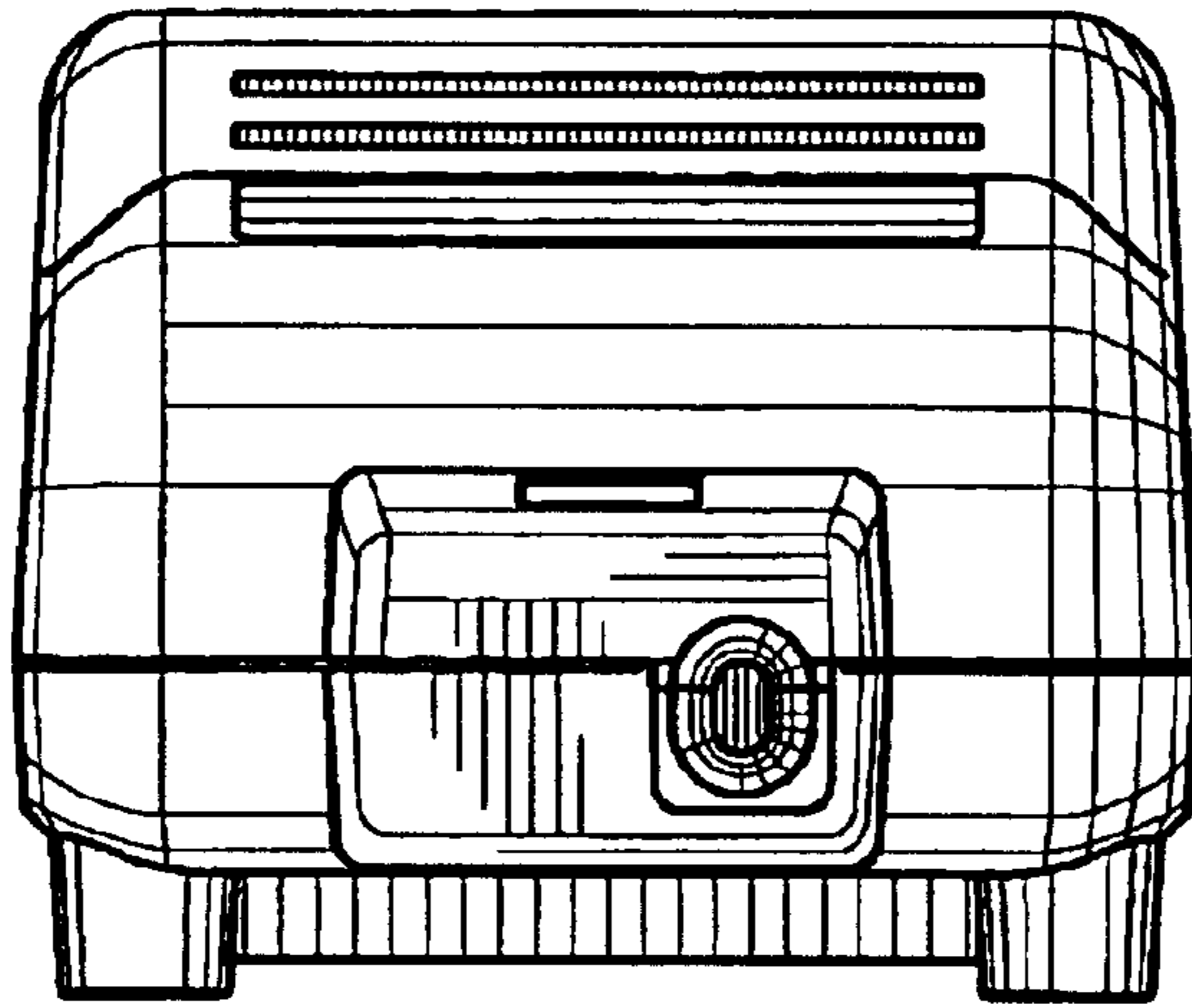


FIG. 5

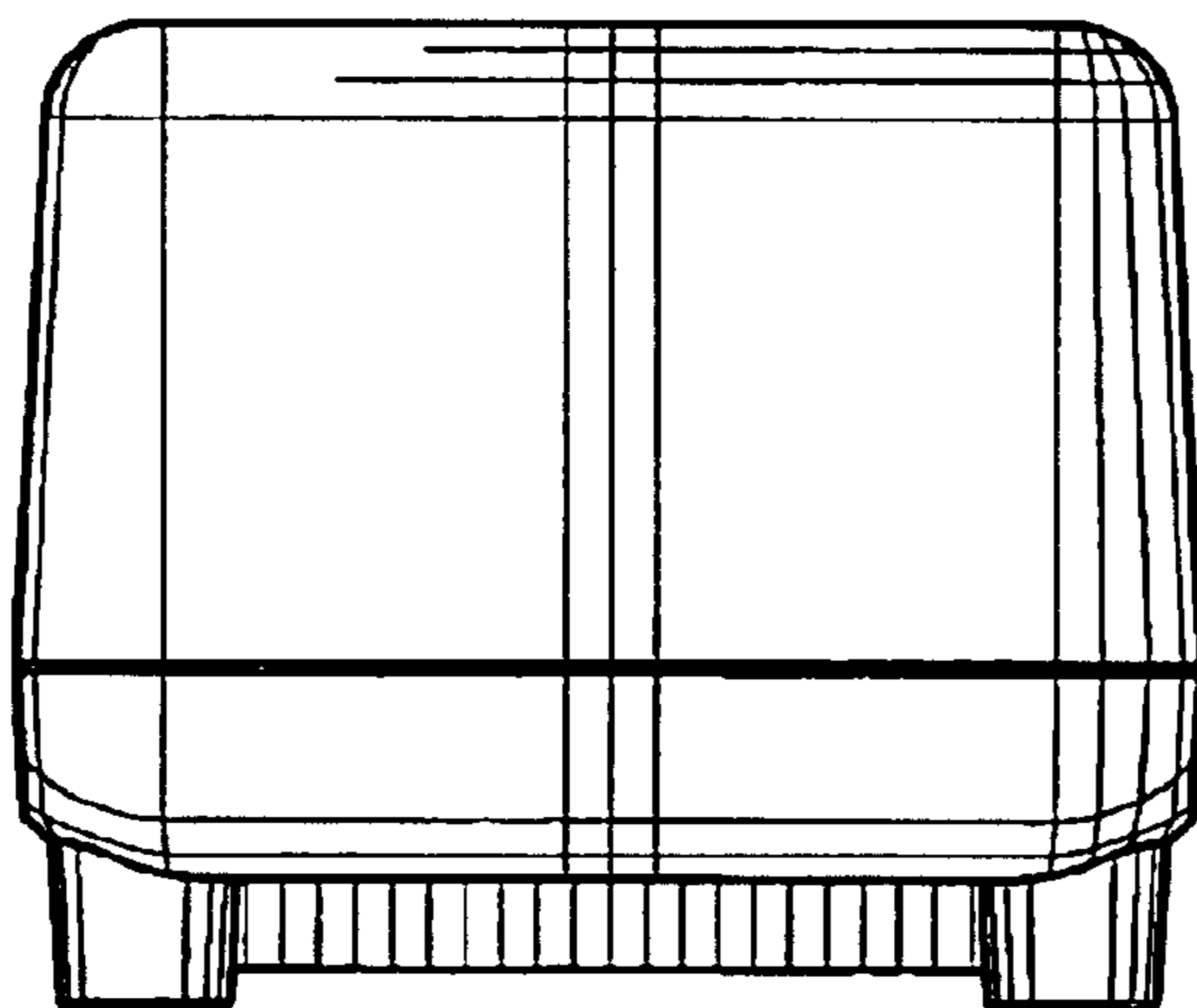


FIG. 6

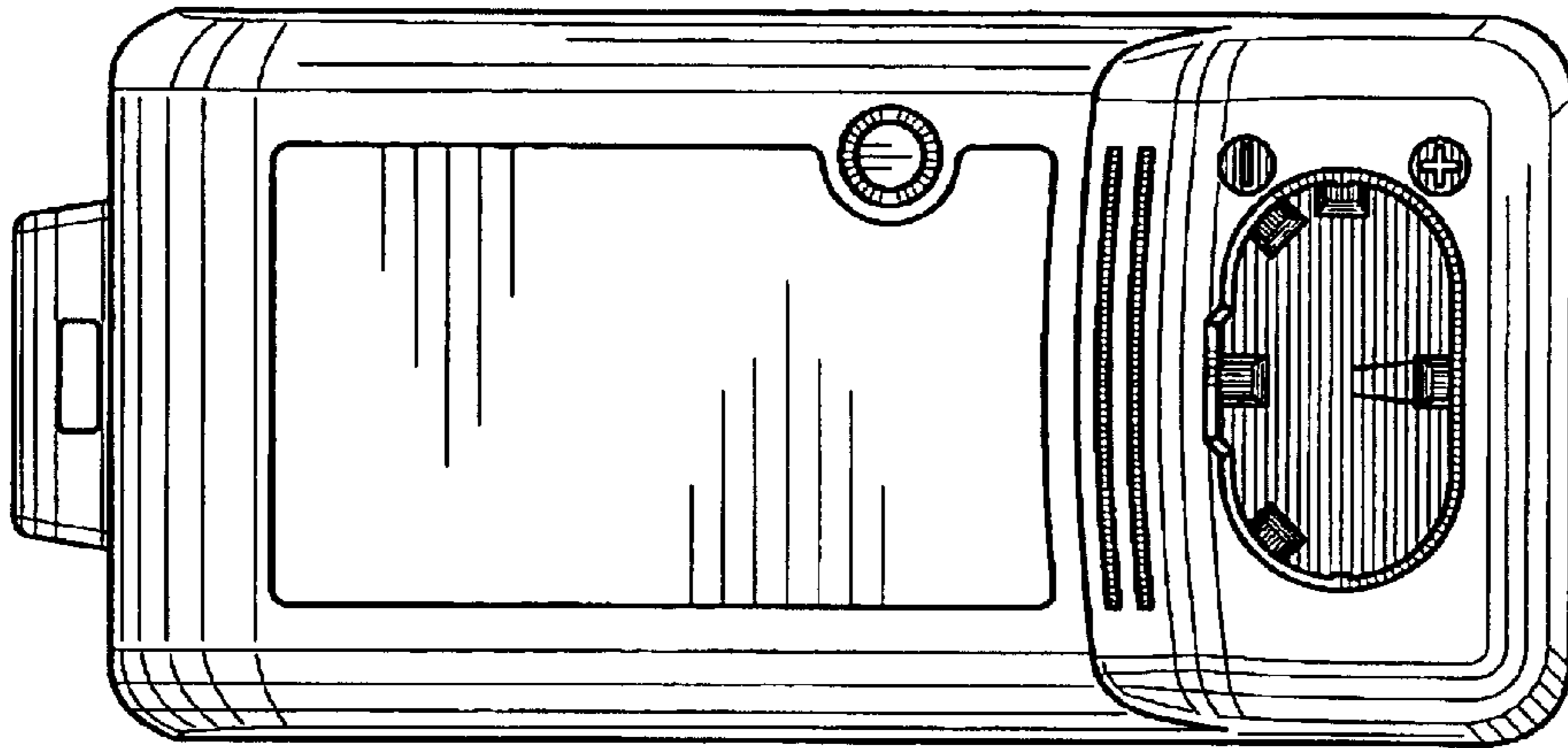


FIG. 7

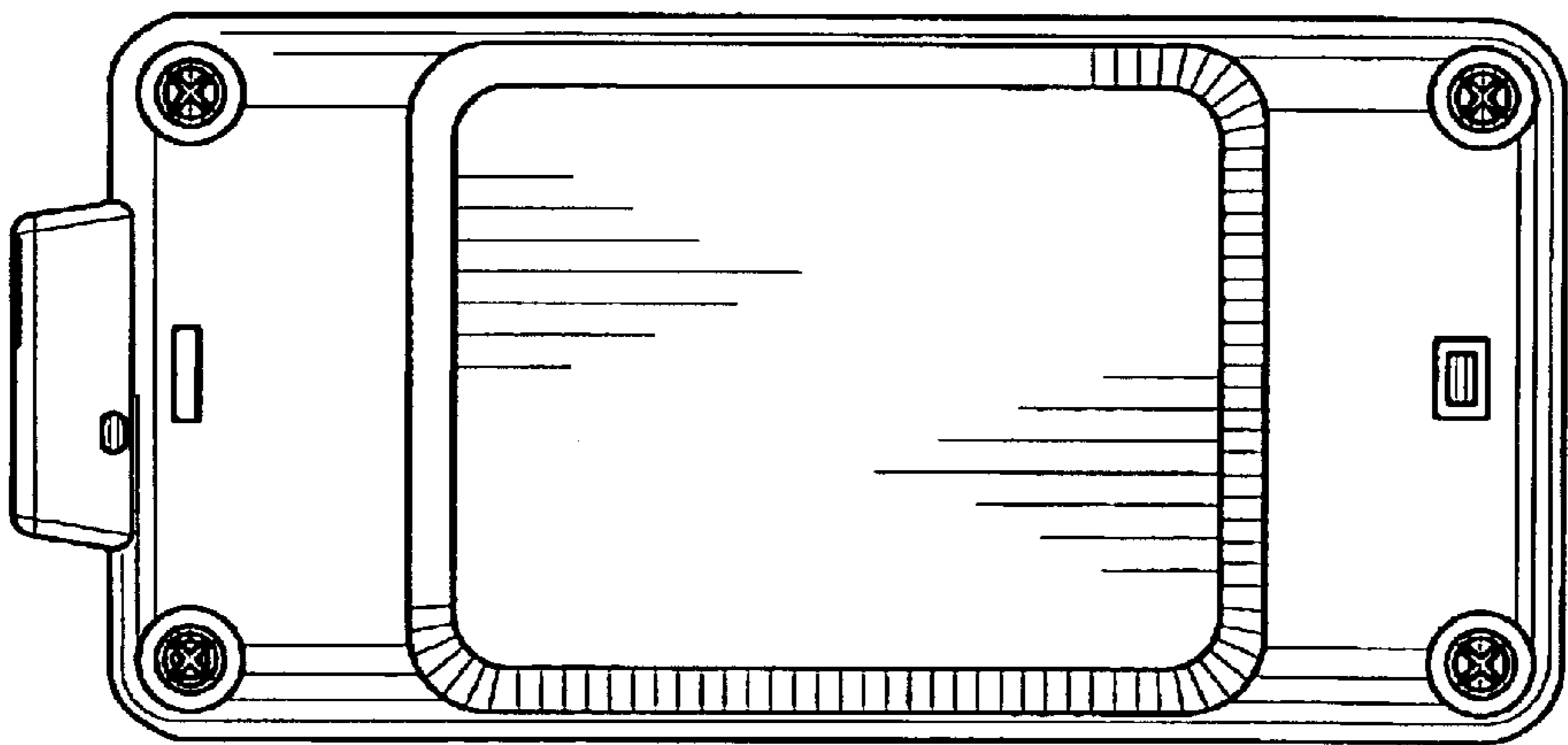


FIG. 8