



US00D491520S

(12) **United States Design Patent**
Hutton et al.

(10) **Patent No.:** **US D491,520 S**

(45) **Date of Patent:** **** Jun. 15, 2004**

(54) **WOOD PELLET**

6,134,813 A * 10/2000 Vickers 37/196

(76) Inventors: **William B. Hutton**, 330 Riverside Dr.,
St. Helens, OR (US) 97051; **Deanice B.**
Hutton, 330 Riverside Dr., St. Helens,
OR (US) 97051

* cited by examiner

Primary Examiner—Holly Baynham
(74) *Attorney, Agent, or Firm*—John Smith-Hill; Smith-Hill
and Bedell

(**) Term: **14 Years**

(57) **CLAIM**

(21) Appl. No.: **29/159,983**

The new and ornamental design for a wood pellet, as shown
and described.

(22) Filed: **May 1, 2002**

(51) **LOC (7) Cl.** **23-05**

(52) **U.S. Cl.** **D13/100**

(58) **Field of Search** D13/100; 126/146,
126/77, 147, 163, 152 B, 540; 110/108;
44/530, 532, 591, 491

DESCRIPTION

FIG. 1 is a perspective view of a wood pellet showing our
new design,

FIG. 2 is an end elevation thereof,

FIG. 3 is a side elevation thereof, the opposite side elevation
corresponding to FIG. 1,

FIG. 4 is a top plan view thereof; and,

FIG. 5 is a bottom plan view thereof.

The wood pellet is of indeterminate length

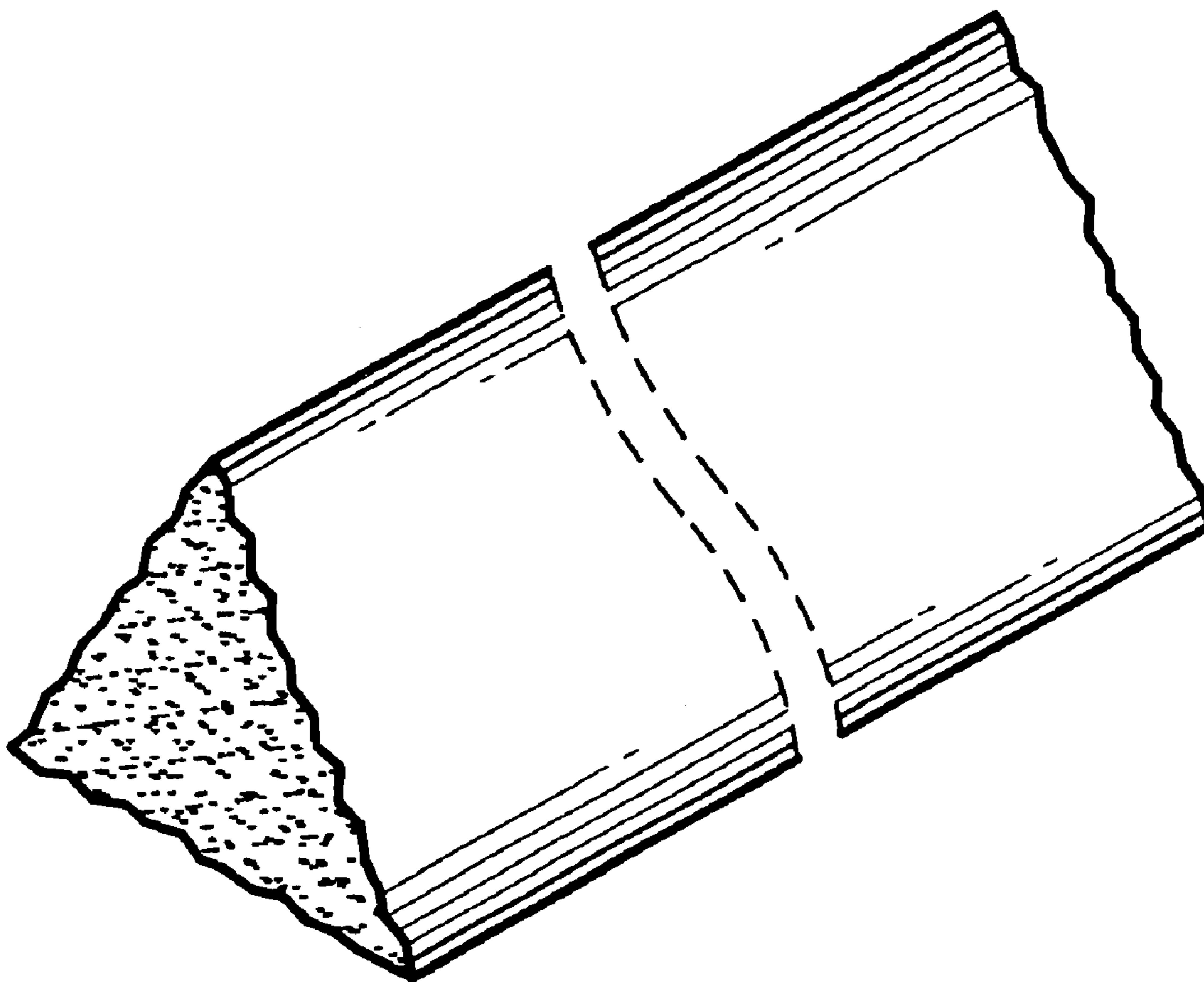
The broken lines which define the bounds of the claimed
design form no part thereof. The claimed design is shown
broken away in all views to indicate indeterminate length.

(56) **References Cited**

U.S. PATENT DOCUMENTS

57,890 A *	9/1866	Gilson	44/530
4,537,001 A *	8/1985	Uppstrom	52/608
4,758,195 A *	7/1988	Walsh	446/85
4,914,855 A *	4/1990	Sherman	43/136
5,486,393 A *	1/1996	Wiklund	428/58
6,024,626 A *	2/2000	Mendelsohn	446/92

1 Claim, 2 Drawing Sheets



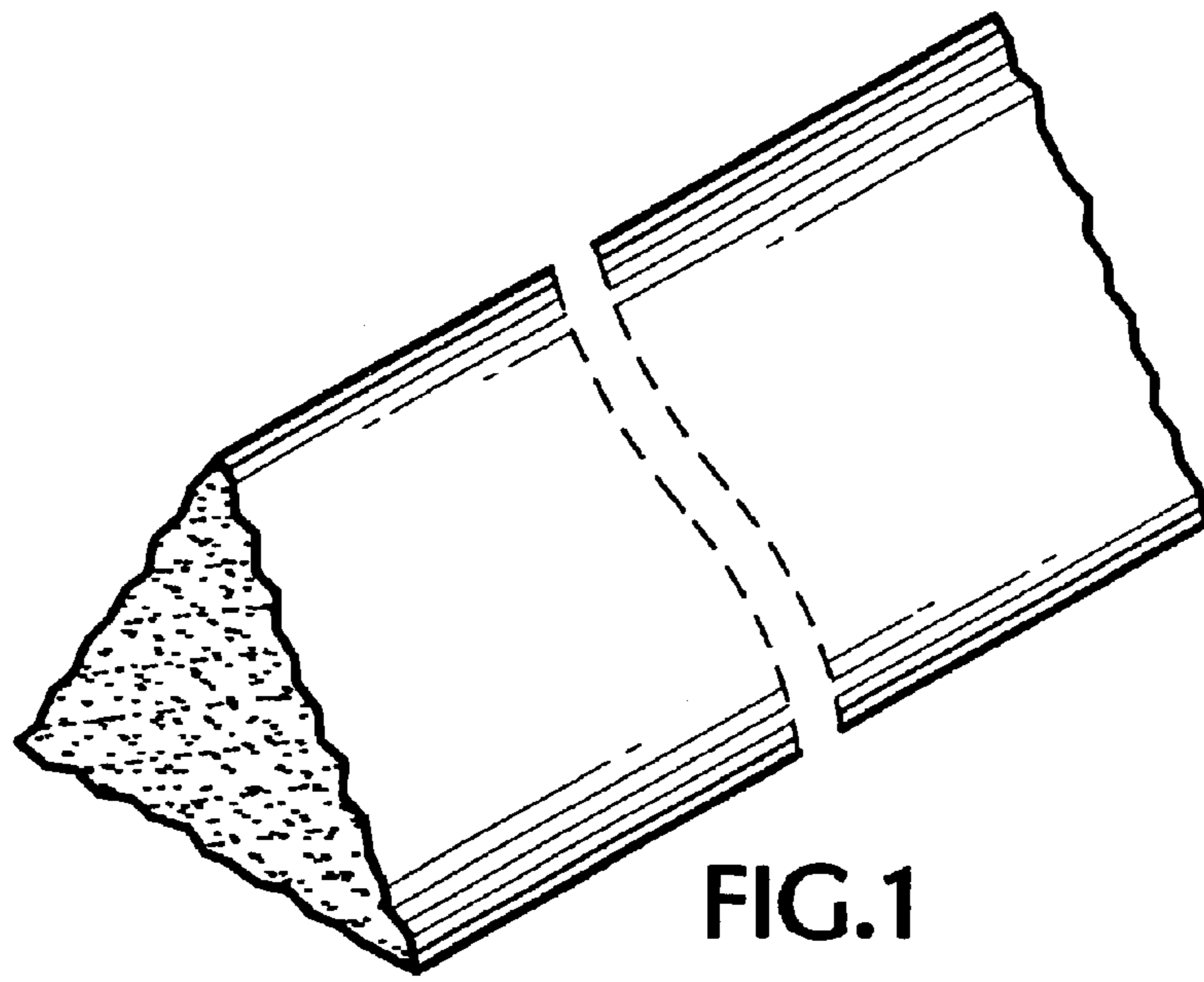


FIG. 1

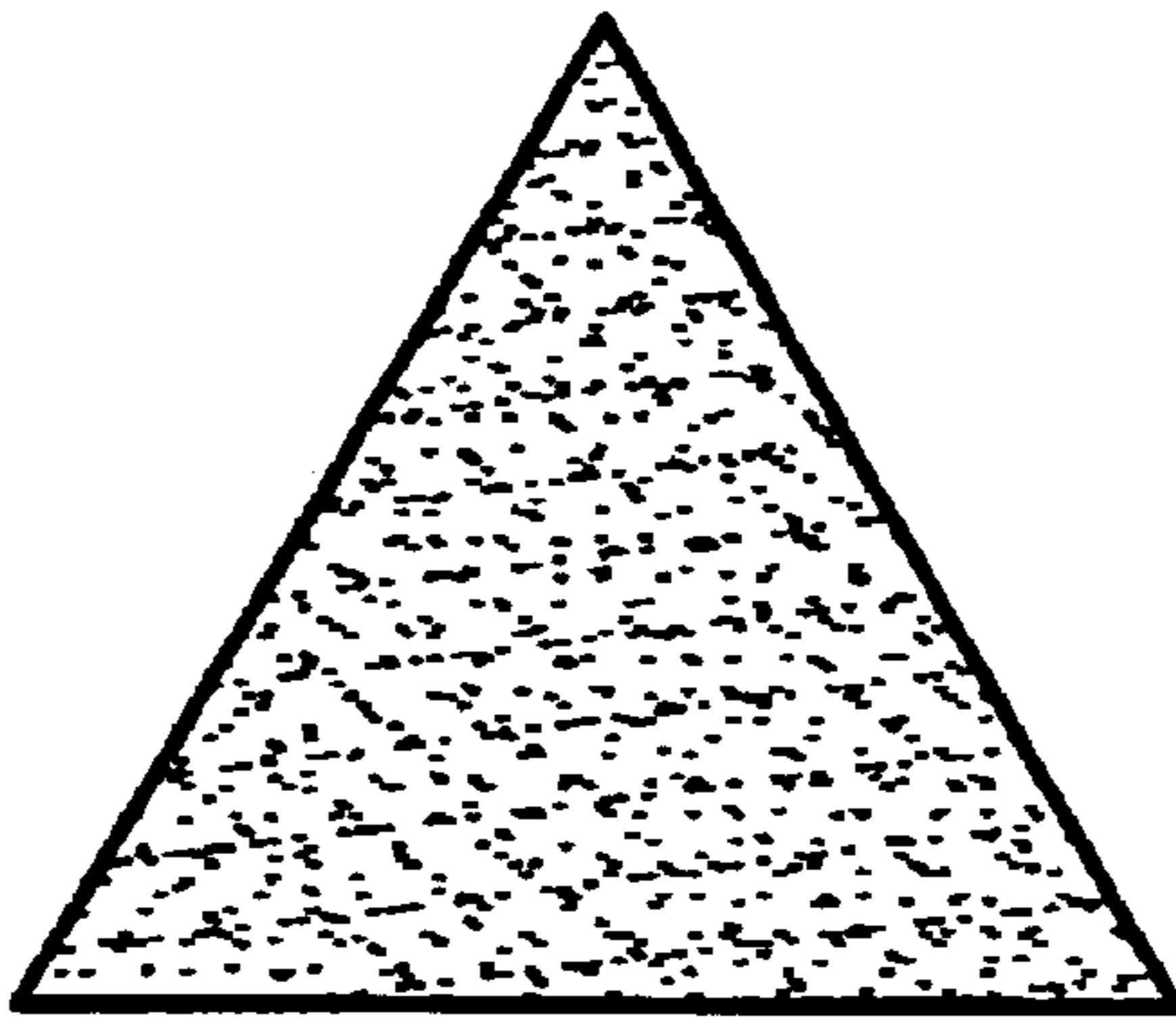


FIG. 2

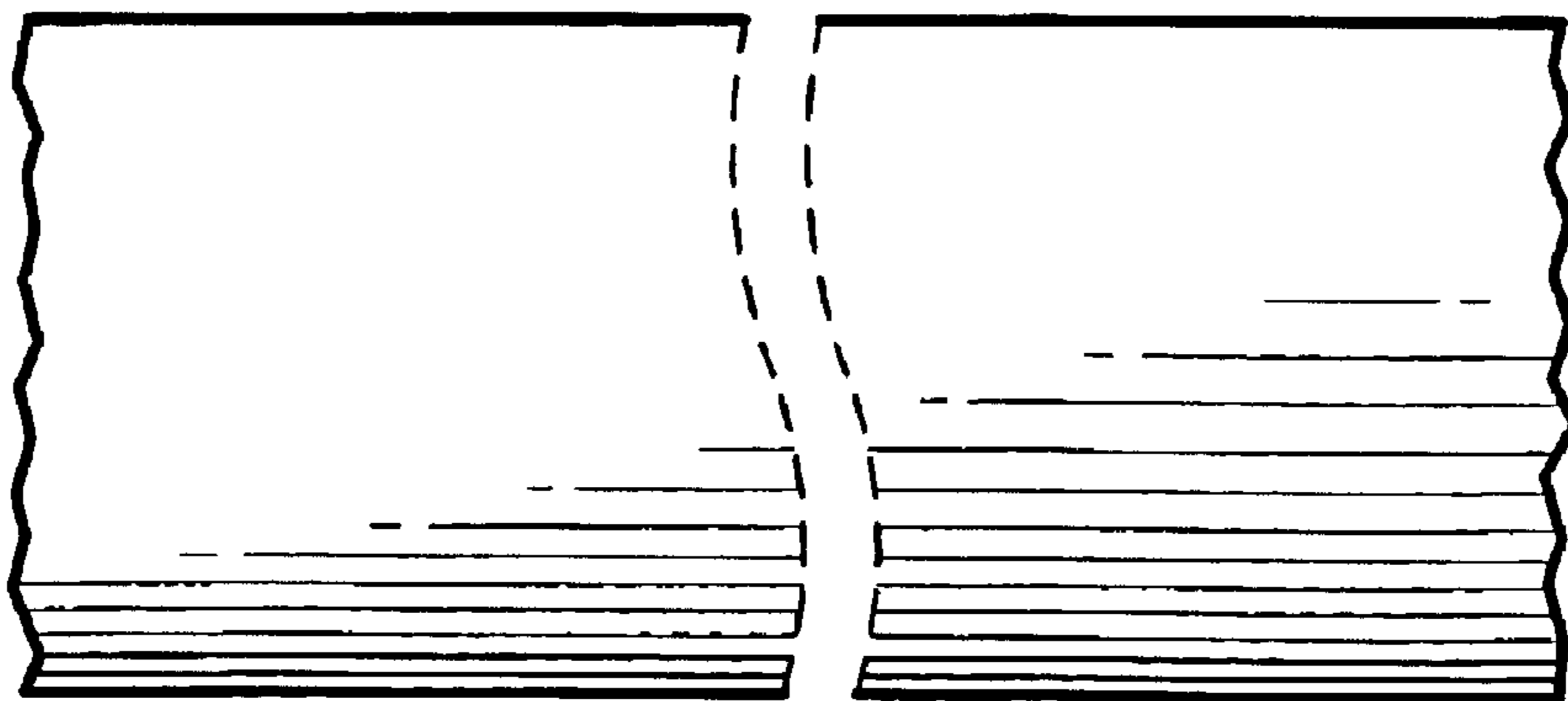


FIG. 3

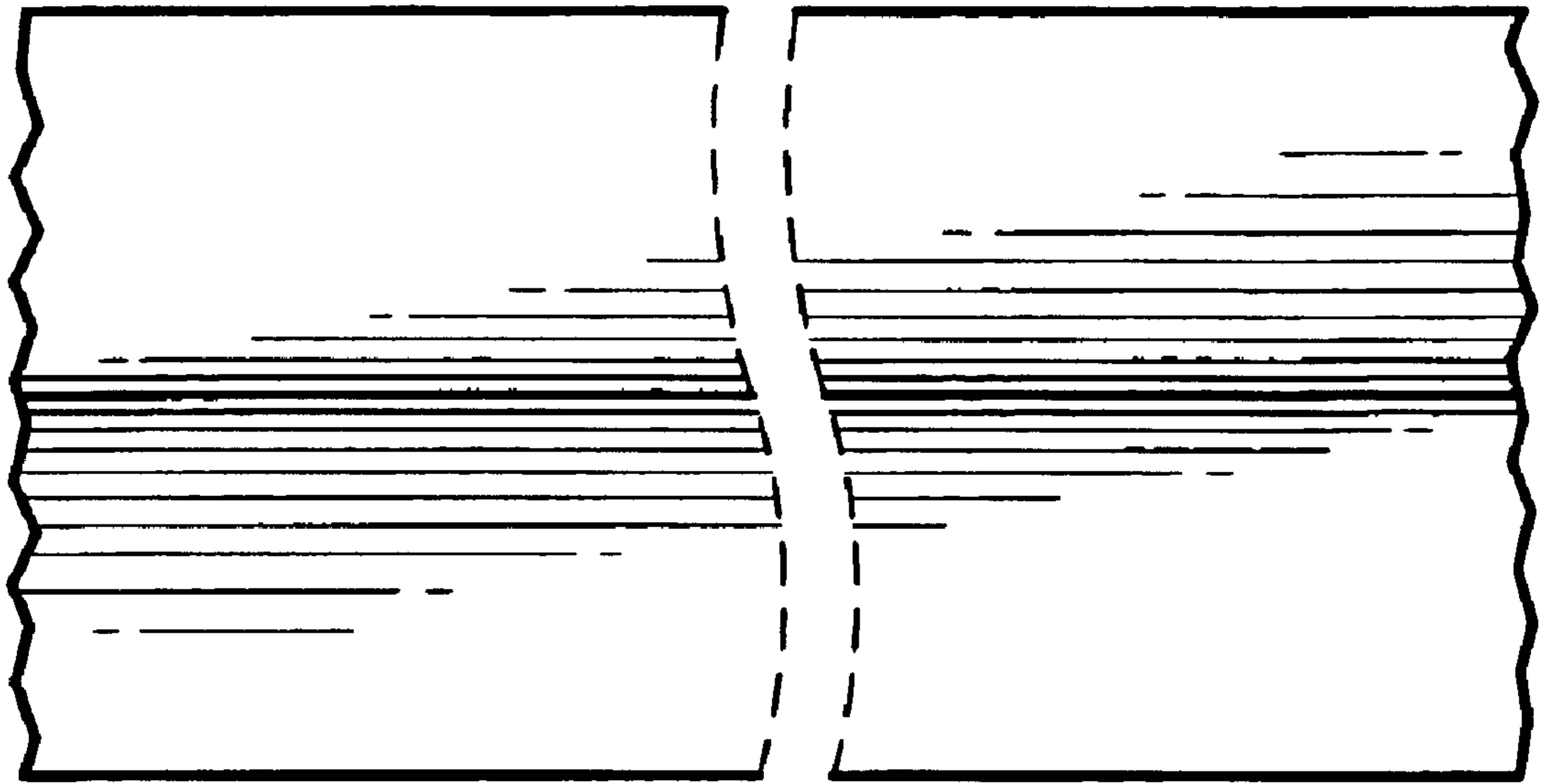


FIG. 4

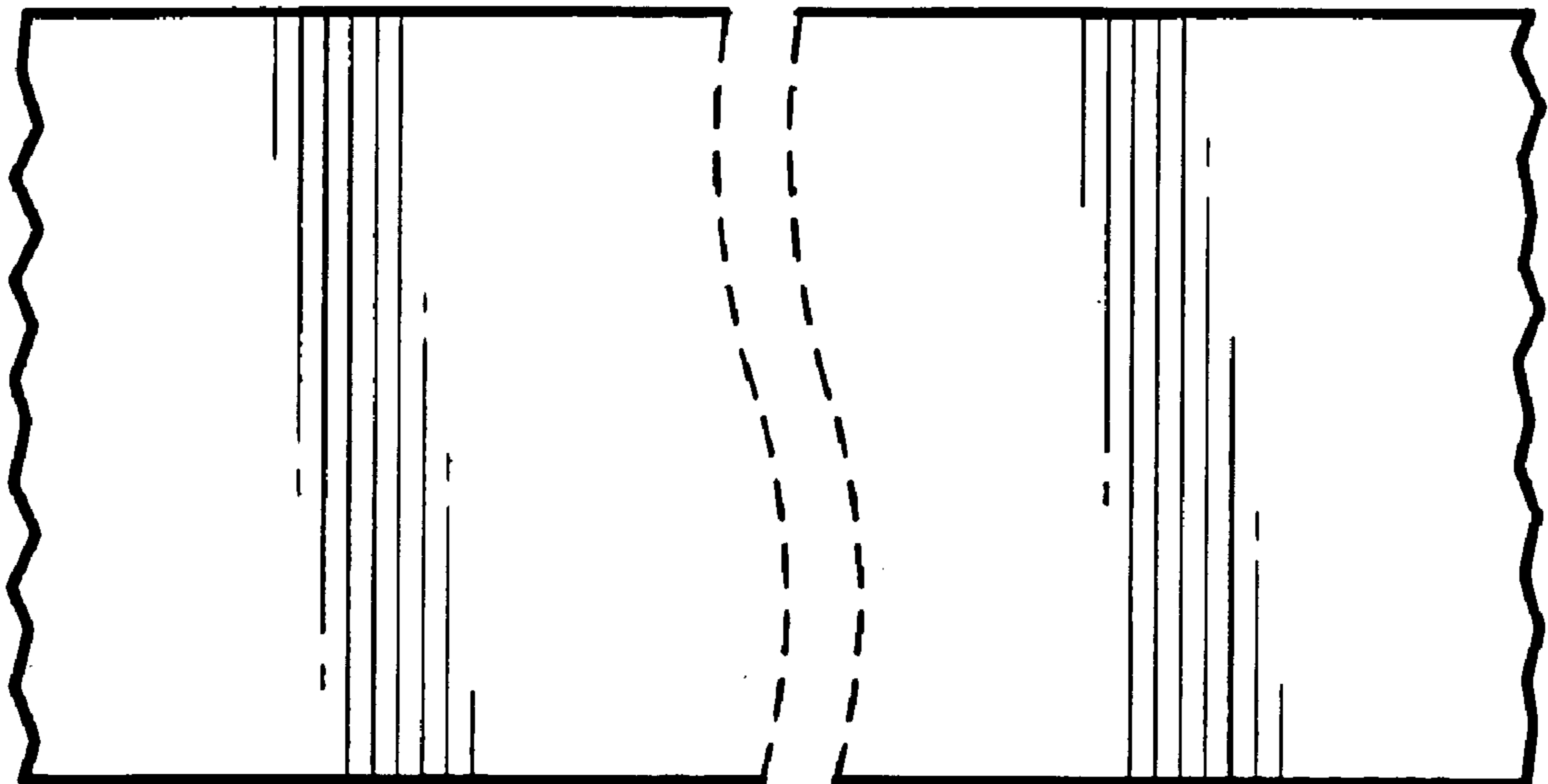


FIG. 5