



US00D491518S

(12) **United States Design Patent**  
**Miyabe et al.**

(10) **Patent No.:** **US D491,518 S**

(45) **Date of Patent:** **\*\* Jun. 15, 2004**

(54) **TIRE TREAD**

(75) Inventors: **Saburo Miyabe**, Grossauheim (DE);  
**Helmut Fehl**, Schluechtern (DE);  
**Christian Windisch**, Chemnitz (DE);  
**Wako Iwamura**, Rancho Palos Verdes,  
CA (US); **Tadao Matsumoto**, Akashi  
(JP); **Nobuaki Minami**, Kobe (JP)

(73) Assignee: **The Goodyear Tire & Rubber  
Company**, Akron, OH (US)

(\*\*) Term: **14 Years**

(21) Appl. No.: **29/188,313**

(22) Filed: **Aug. 14, 2003**

(30) **Foreign Application Priority Data**

Feb. 27, 2003 (DE) ..... 403 01 797

(51) **LOC (7) Cl.** ..... **12-15**

(52) **U.S. Cl.** ..... **D12/556**

(58) **Field of Search** ..... D12/546, 551-556,  
D12/563-565, 567, 579, 581, 586-590,  
599, 600-603, 900; 152/209.1-209.28

(56) **References Cited**

**U.S. PATENT DOCUMENTS**

D400,830 S \* 11/1998 Gerresheim et al. .... D12/551

**OTHER PUBLICATIONS**

GT Radial Champiro 40 Tire, 2002 Tread Design Guide, Jan.  
2002, p. 36. 1/4.\*

Falken Tire Tread Illustration (Far Left), Modern Tire Dealer  
Magazine, Oct. 2001, p. 45.\*

Bridgestone Potenza S-03 Pole Position Tire, Modern Tire  
Dealer Magazine, Oct. 2001, p. 51.\*

\* cited by examiner

*Primary Examiner*—Robert M. Spear  
(74) *Attorney, Agent, or Firm*—David L. King; Richard B.  
O’Planick

(57) **CLAIM**

The ornamental Design for a tire tread, as shown and  
described.

**DESCRIPTION**

FIG. 1 is a perspective view of a tire tread showing our new  
design, it being understood that the pattern repeats uni-  
formly throughout the circumference of the tread;

FIG. 2 is a front elevational view thereof;

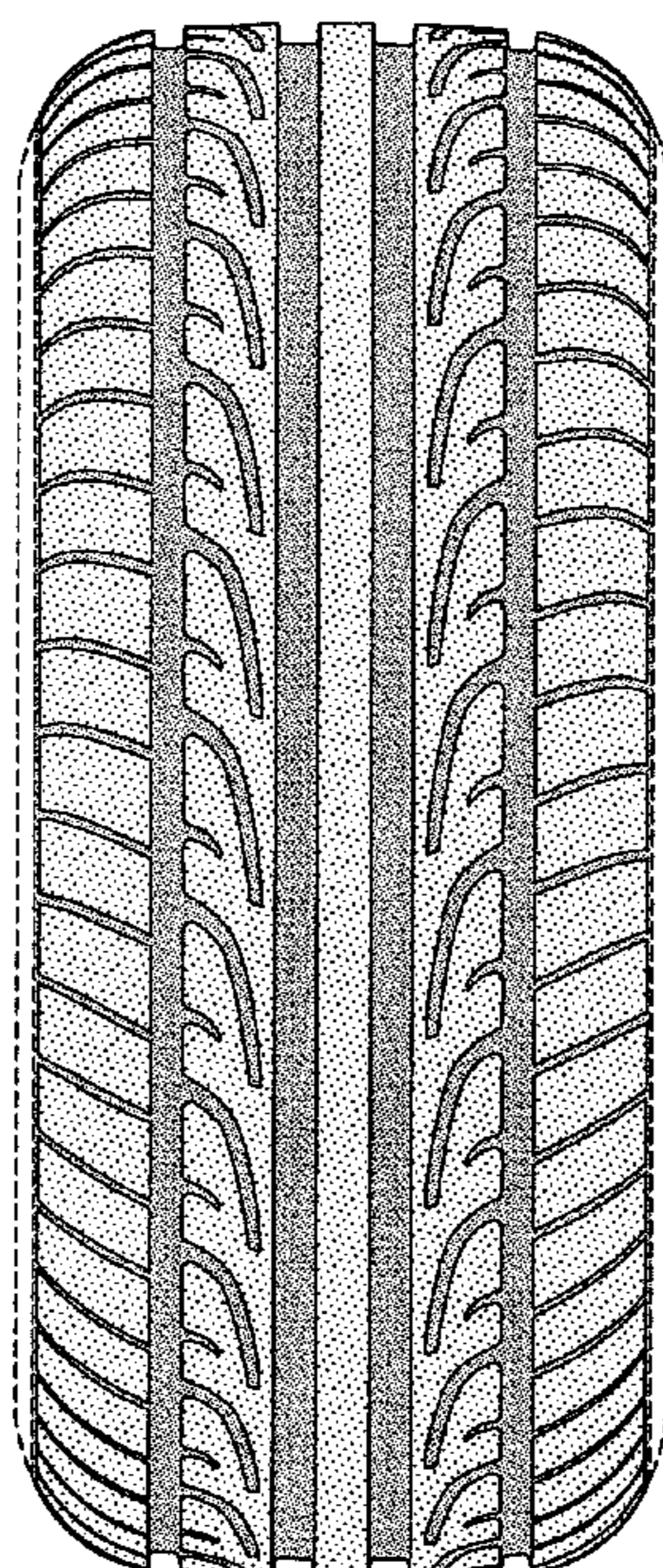
FIG. 3 is a right side elevational view thereof; the opposite  
side elevational view being a mirror image thereof; and,

FIG. 4 is an enlarged fragmentary front elevational view  
thereof.

In the drawings, the broken lines defining the sidewall, inner  
bead and the peripheral boundary between the tire tread and  
the sidewall are for illustrative purposes only and form no  
part of the claimed design.

The dark stippled surface shading represents the recessed  
portion of the tread grooves having a depth as best shown in  
FIG. 2.

**1 Claim, 4 Drawing Sheets**



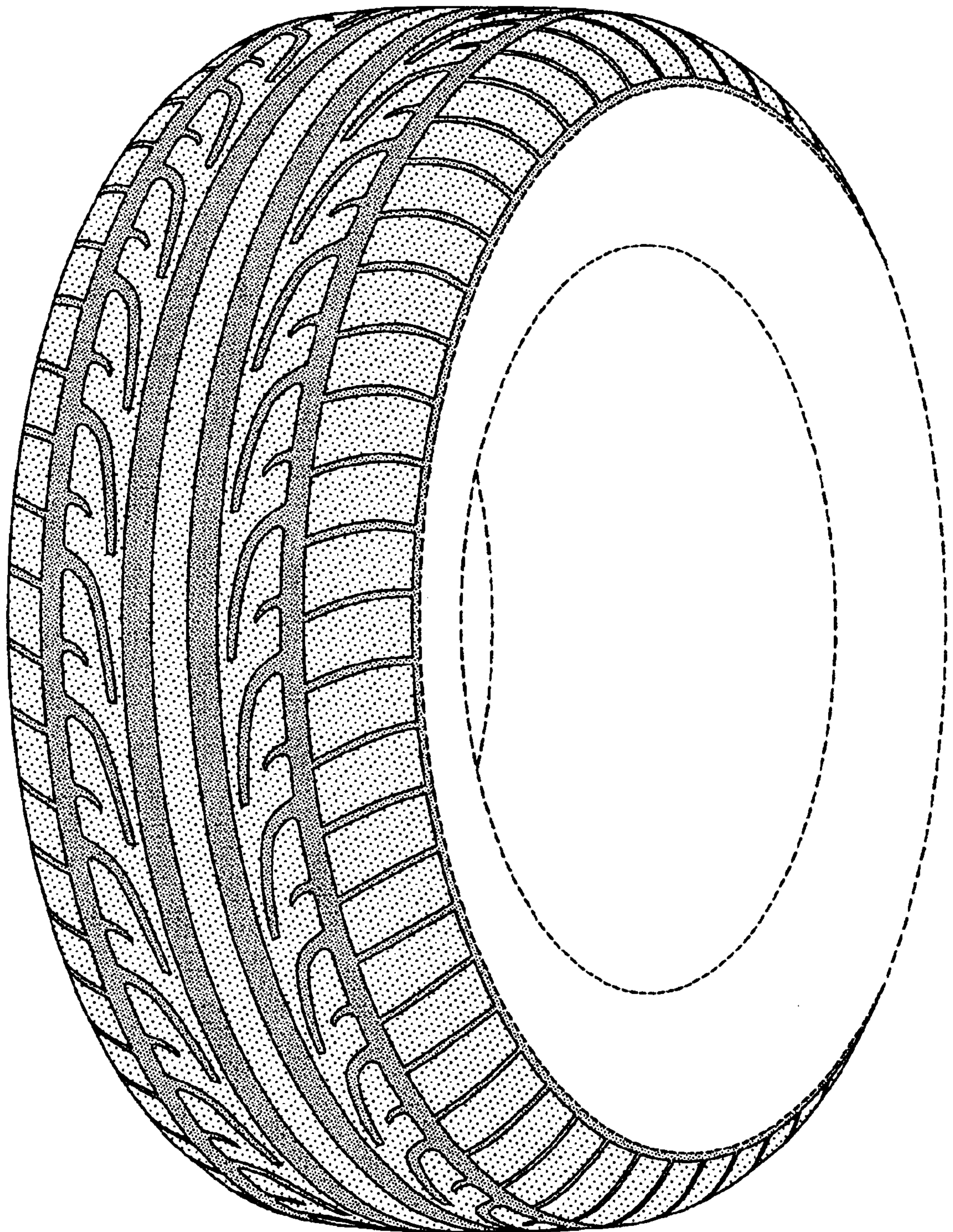


FIG-1

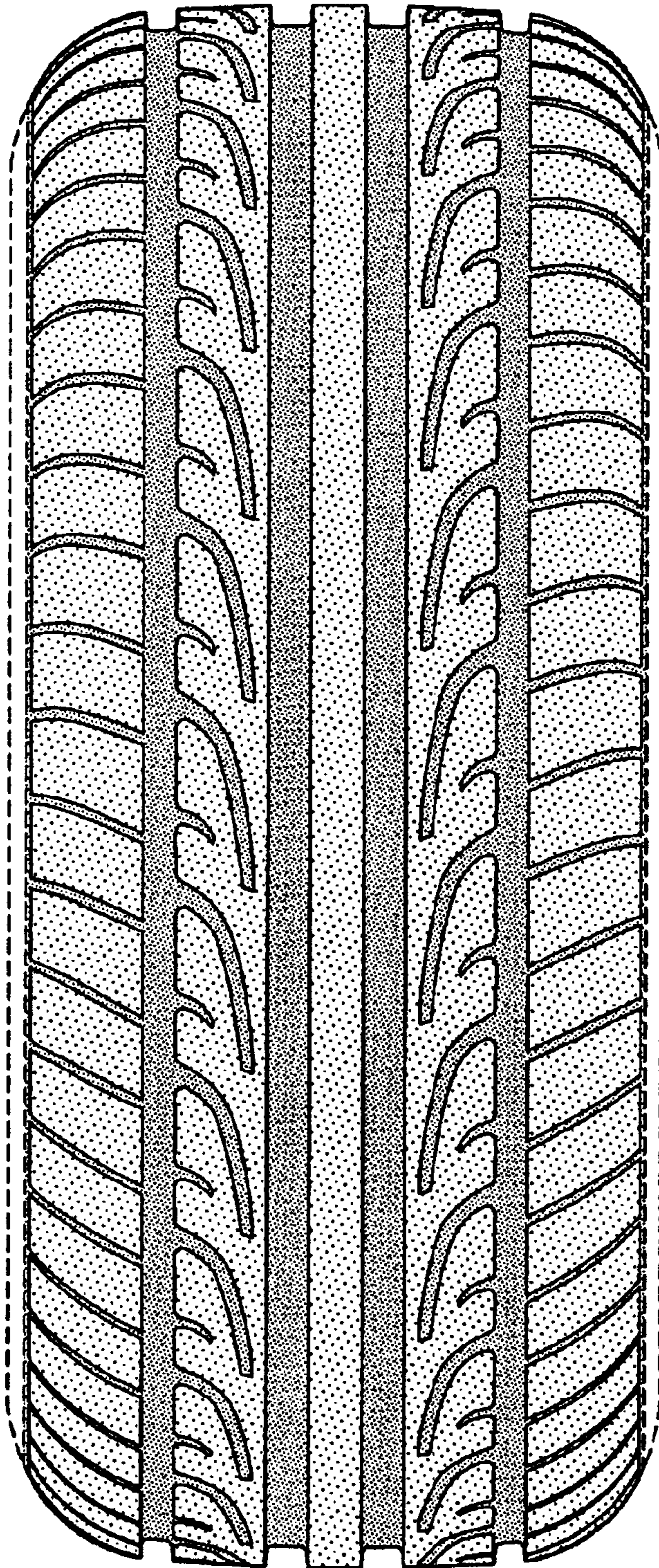


FIG-2

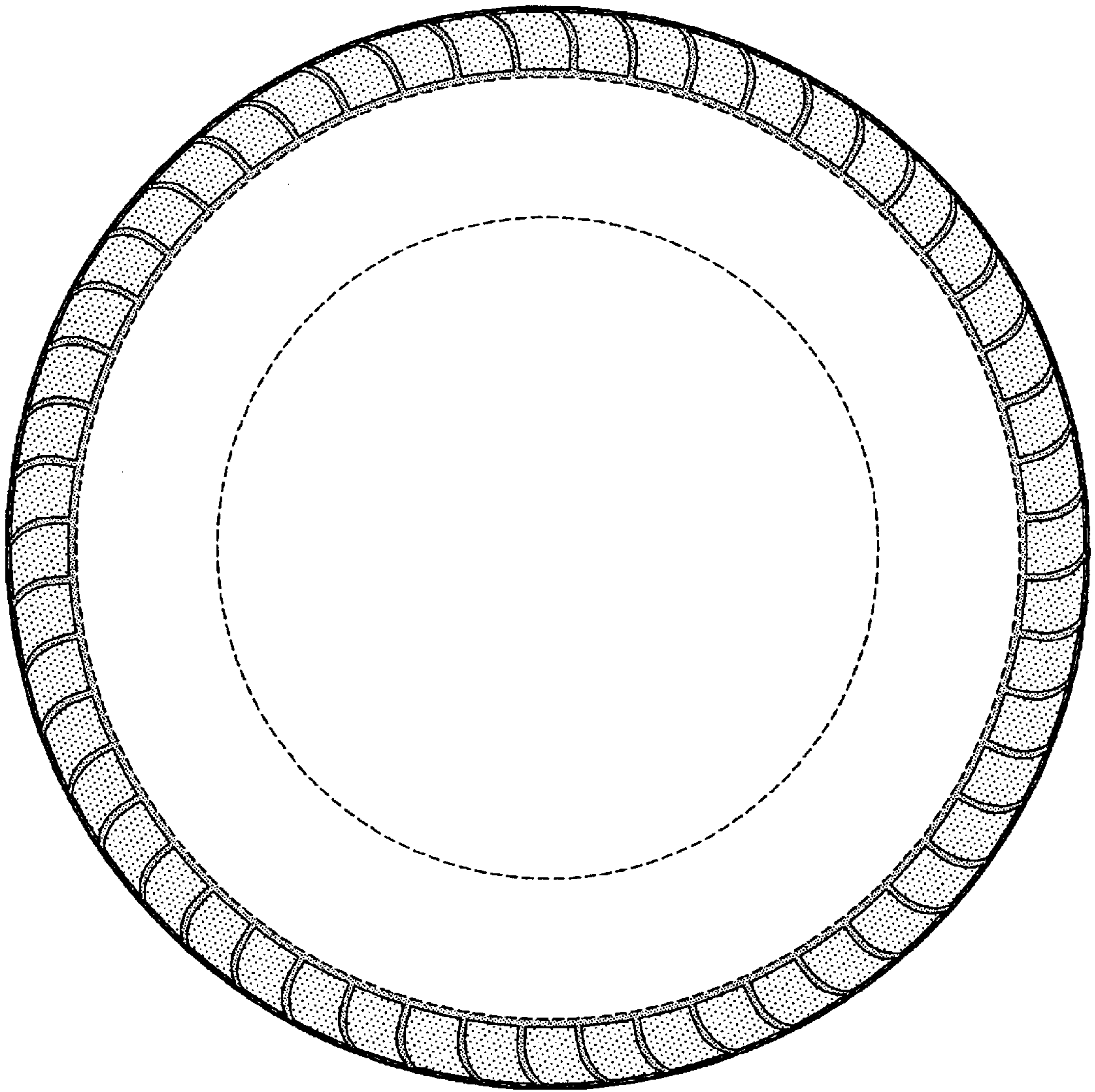


FIG-3

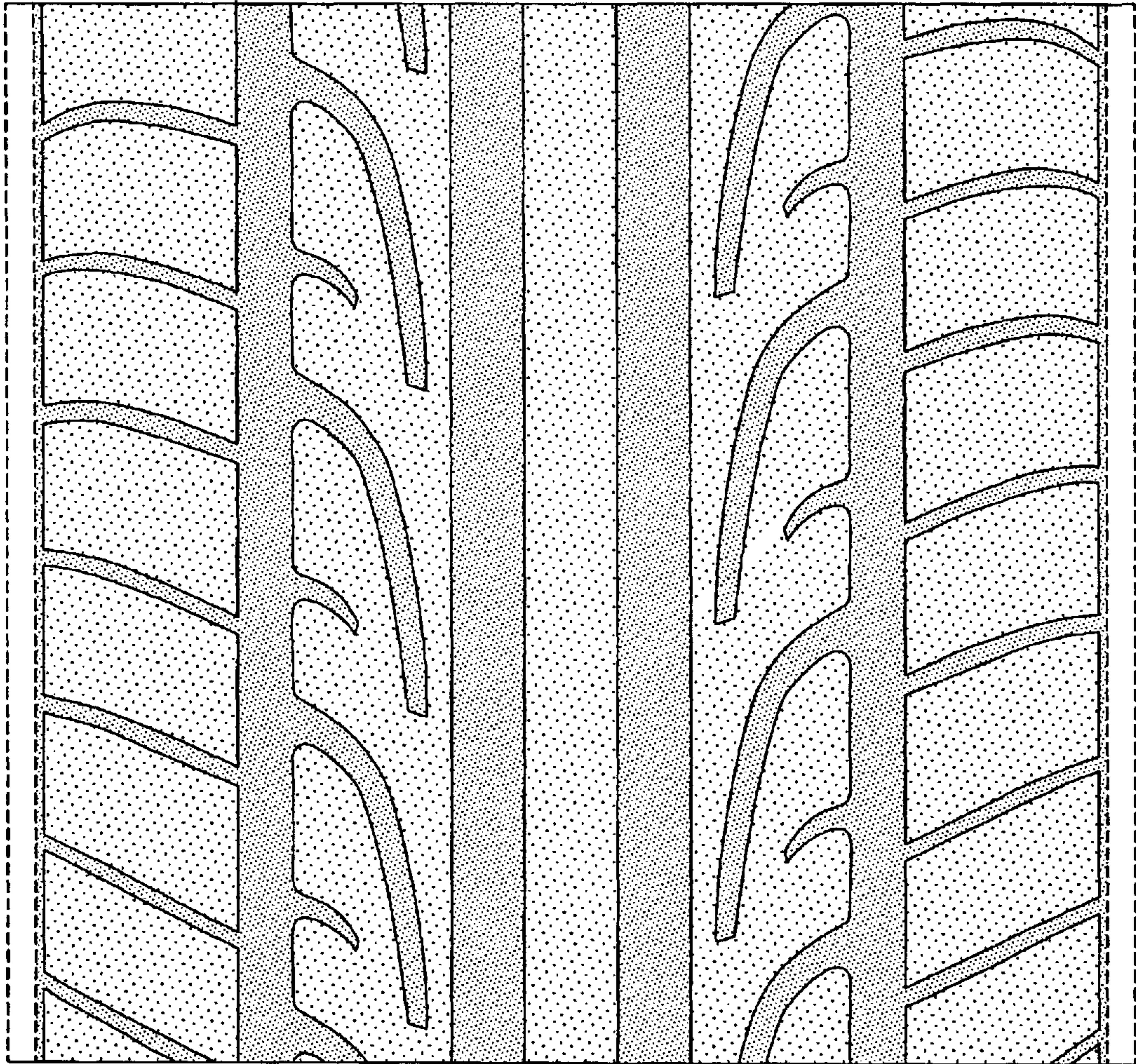


FIG-4