



US00D491509S

(12) **United States Design Patent**
Bundy

(10) **Patent No.:** **US D491,509 S**

(45) **Date of Patent:** **** Jun. 15, 2004**

(54) **RECEIVER STEP WITH ADDITIONAL BRAKE LIGHTS**

(76) Inventor: **Troy Bundy**, 1020 E. 39 St., Tulsa, OK (US) 74105

(**) Term: **14 Years**

(21) Appl. No.: **29/178,843**

(22) Filed: **Apr. 1, 2003**

(51) **LOC (7) Cl.** **12-16**

(52) **U.S. Cl.** **D12/203**

(58) **Field of Search** D12/203, 162, D12/400; 280/163, 164.1, 169, 153.5, 165-166, 507, 500, 848, 491.5, 45.1; 248/220.22, 220.31, 298.1, 224.7-224.8; 362/499, 541; 40/205-206, 590-591, 575; 182/90-92; 293/117, 120; 403/3-4; 224/519, 521, 527

(56) **References Cited**

U.S. PATENT DOCUMENTS

4,463,962 A	8/1984	Snyder	
D370,452 S	* 6/1996	Beasley D12/203
5,702,118 A	12/1997	Hanson et al.	
5,829,774 A	11/1998	Klemp	
5,979,094 A	11/1999	Brafford, Jr.	
6,007,033 A	12/1999	Casson et al.	
6,053,627 A	4/2000	Vo et al.	
D430,519 S	* 9/2000	Beauvais D12/162

6,140,919 A	10/2000	Buchanan	
D444,754 S	* 7/2001	Storer D12/203
6,357,899 B1	3/2002	Craven	
D463,345 S	9/2002	Cipolla	
D464,919 S	* 10/2002	Pichan D12/162
6,491,315 B2	12/2002	Hagen et al.	
6,511,086 B2	1/2003	Schlicht	
D471,137 S	* 3/2003	Shepherd et al. D12/162
D474,728 S	* 5/2003	Ruffin D12/203

* cited by examiner

Primary Examiner—Stacia Cadmus
(74) *Attorney, Agent, or Firm*—Molly D. McKay

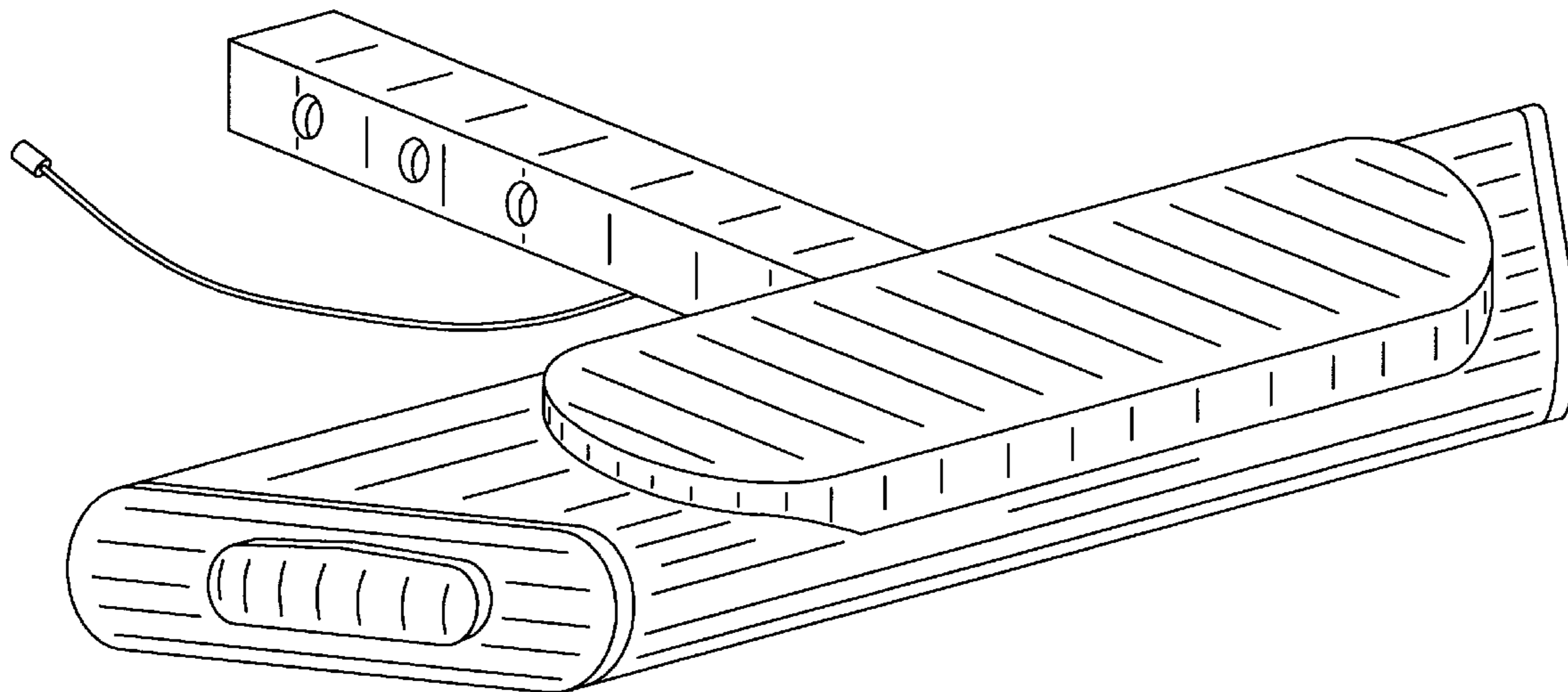
(57) **CLAIM**

The ornamental design for a receiver step with additional brake lights, as shown and described.

DESCRIPTION

FIG. 1 is a perspective view of a receiver step with additional brake lights showing my new design; FIG. 2 is a top plan view thereof; FIG. 3 is a rear view thereof; FIG. 4 is a bottom plan view thereof; FIG. 5 is a side elevational view thereof; and, FIG. 6 is a front view thereof. FIGS. 2-6 are shown on a reduced scale as compared with FIG. 1.

1 Claim, 2 Drawing Sheets



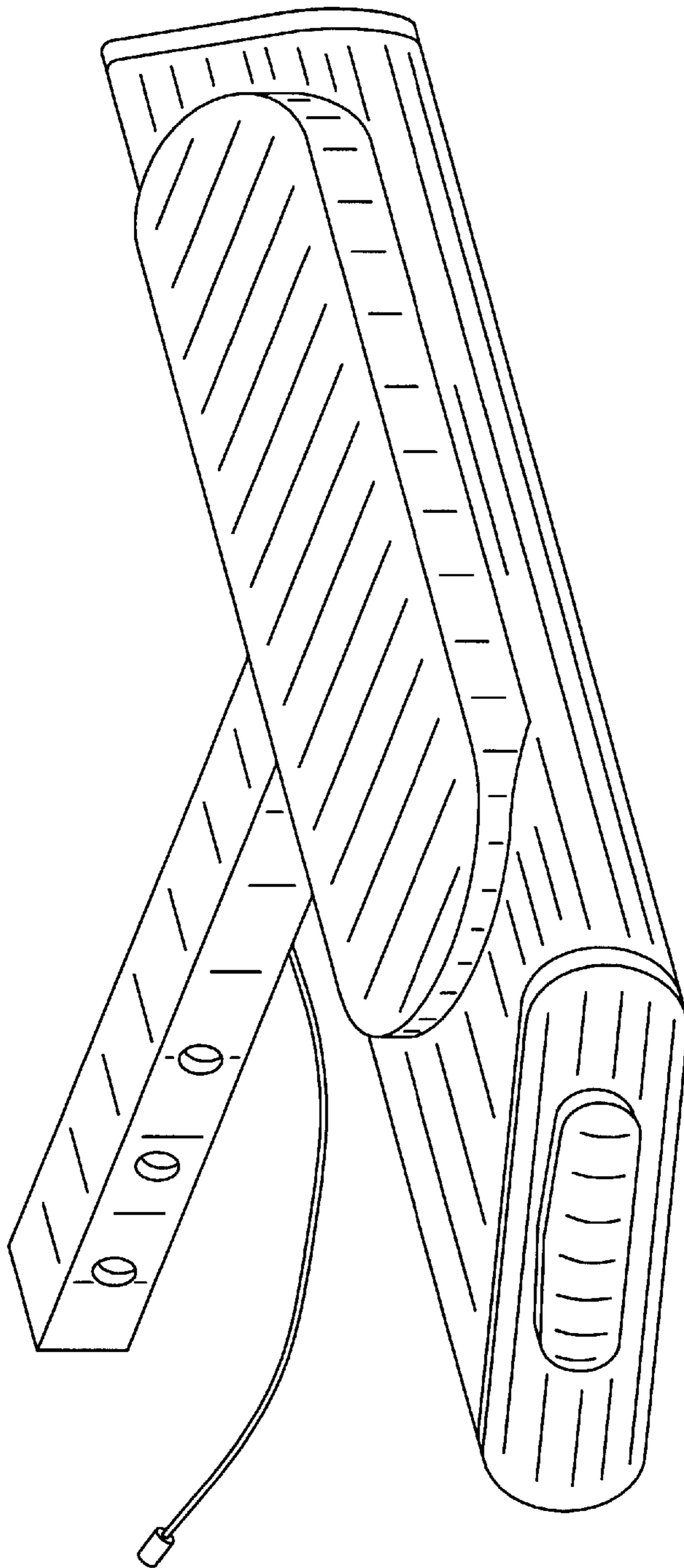


Fig. 1

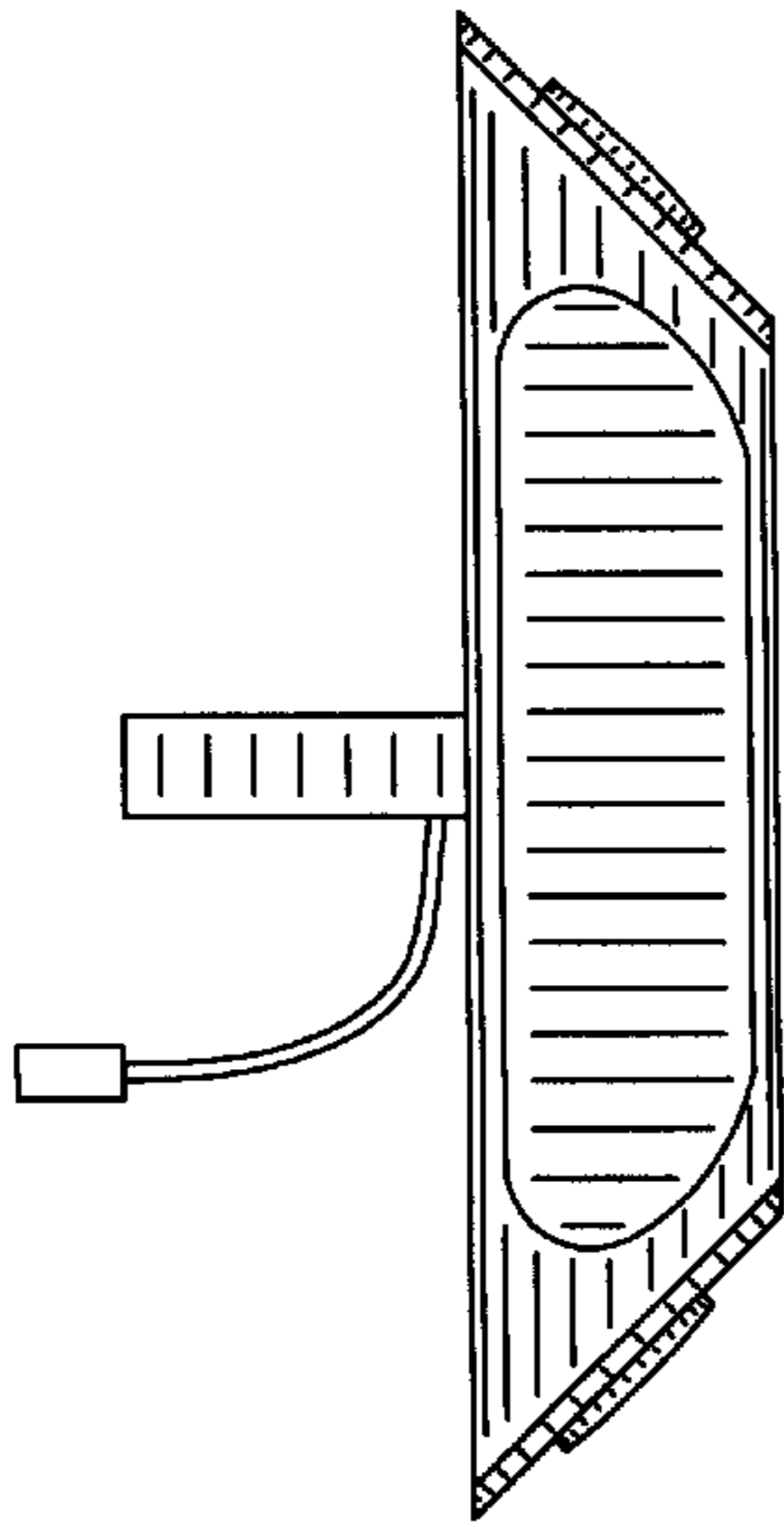


Fig. 2

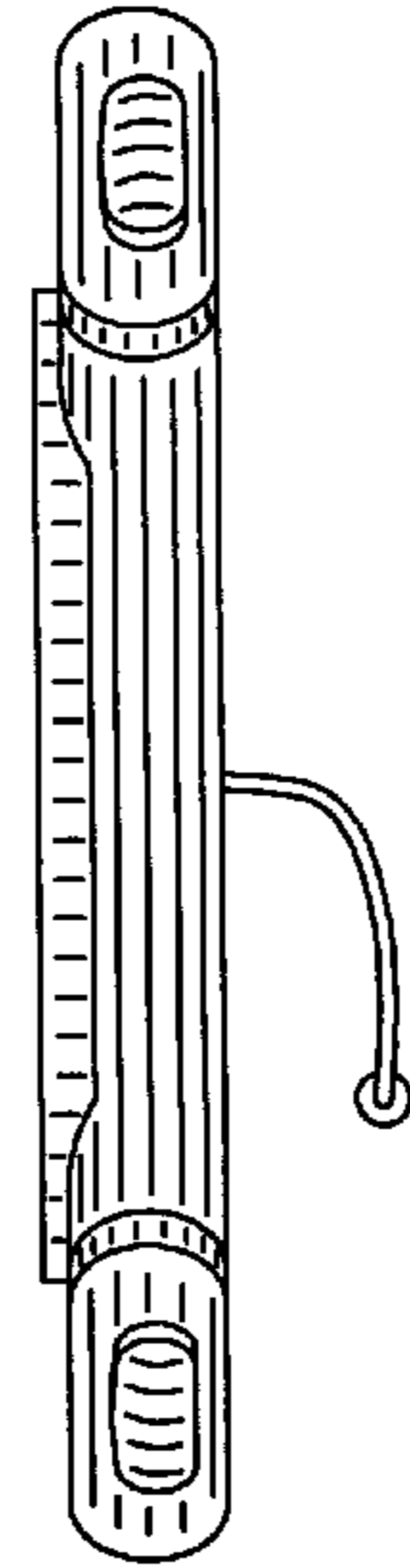


Fig. 3

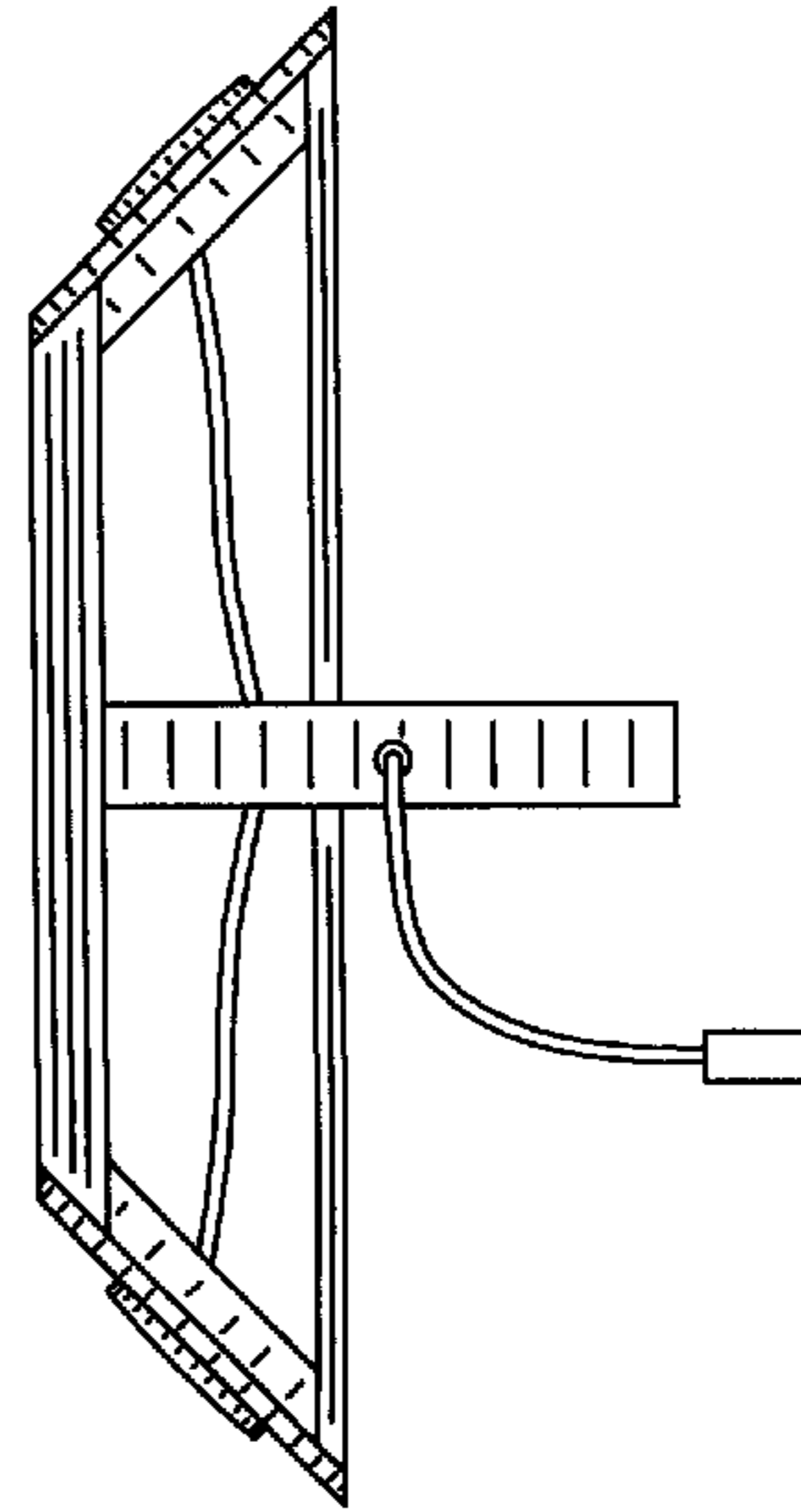


Fig. 4

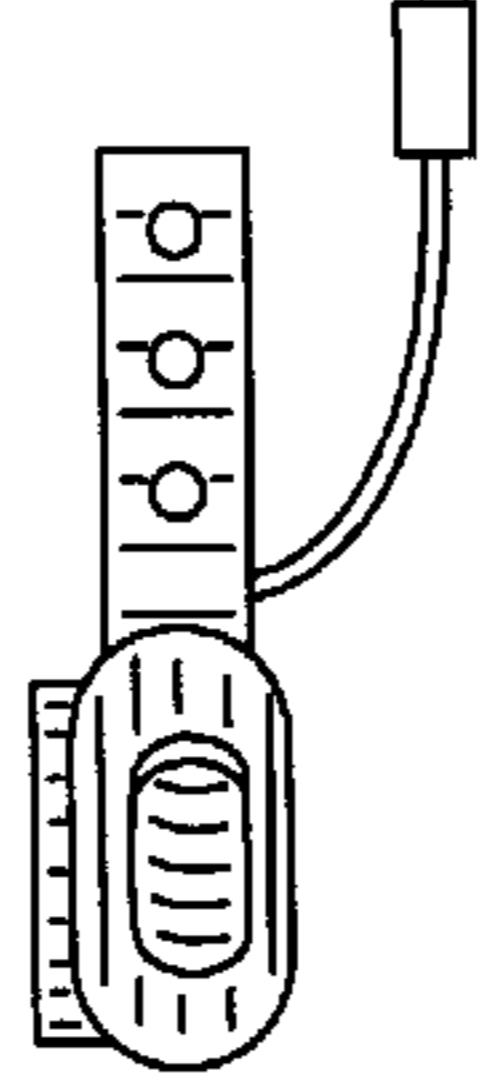


Fig. 5

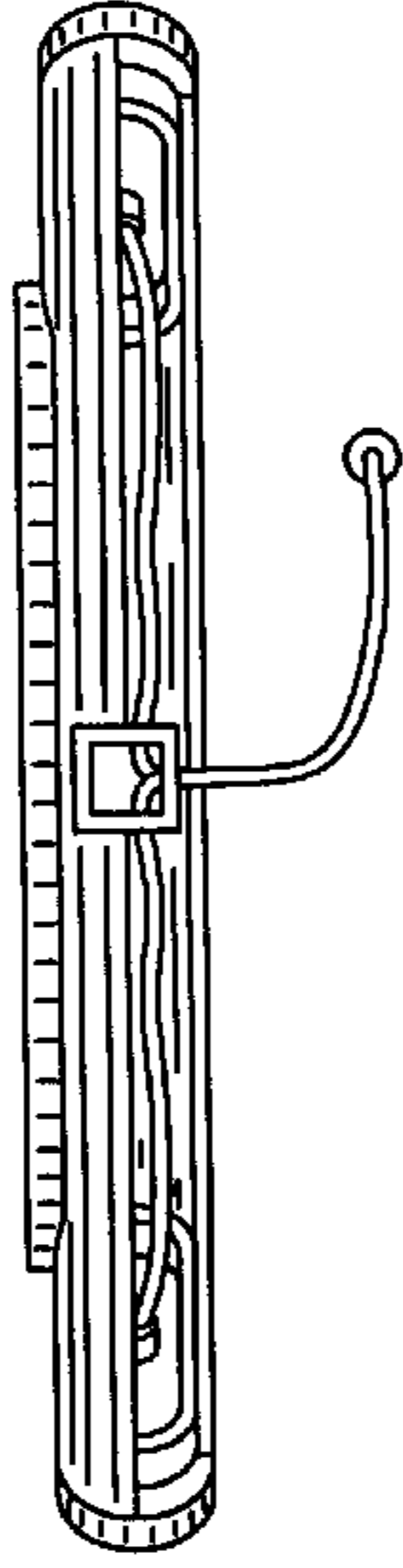


Fig. 6