



US00D491504S

(12) **United States Design Patent**
Sato et al.

(10) **Patent No.:** **US D491,504 S**
(45) **Date of Patent:** **** Jun. 15, 2004**

(54) **INSTRUMENT FOR DISPLAYING INFORMATION, FOR USE IN AN AUTOMOBILE**

(75) Inventors: **Shigeyuki Sato, Yokohama (JP); Yasuyuki Nakagawa, Tokyo (JP)**

(73) Assignee: **Calsonic Kansei Corporation, Tokyo (JP)**

(**) Term: **14 Years**

(21) Appl. No.: **29/176,737**

(22) Filed: **Feb. 25, 2003**

(30) **Foreign Application Priority Data**

Aug. 27, 2002 (JP) 2002-022923

(51) **LOC (7) Cl.** **12-16**

(52) **U.S. Cl.** **D12/192**

(58) **Field of Search** D12/192; 180/90; 280/750-752; 296/190-191, 70; D10/46, 102, 98, 122-127

(56) **References Cited**

U.S. PATENT DOCUMENTS

D54,138 S	*	11/1919	Smith	D12/182
D180,845 S	*	8/1957	Rintelmann	D10/98
D381,614 S	*	7/1997	Ma	D12/192
D413,294 S	*	8/1999	Lagaay	D12/192
D413,295 S	*	8/1999	Sauter	D12/192
D436,565 S	*	1/2001	Tsay et al.	D12/192

D440,925 S	*	4/2001	Pfeiffer	D12/192
D466,062 S	*	11/2002	Tsay et al.	D12/192
D467,845 S	*	12/2002	Pfeiffer et al.	D12/192
D471,141 S	*	3/2003	Hofmann et al.	D12/192
D475,956 S	*	6/2003	Juraschek et al.	D12/192
D475,957 S	*	6/2003	Machinek	D12/192
D483,308 S	*	12/2003	Wyszogrod	D12/192

* cited by examiner

Primary Examiner—Stacia Cadmus

(74) *Attorney, Agent, or Firm*—Chapman and Cutler LLP

(57) **CLAIM**

The ornamental design for the instrument for displaying information, for use in an automobile, as shown and described.

DESCRIPTION

FIG. 1 is a front elevational view of the instrument, showing our new design;
FIG. 2 is a left side elevational view thereof, it being understood that the right side is mirror image thereof;
FIG. 3 is a top plan view thereof;
FIG. 4 is a bottom plan view thereof;
FIG. 5 is a section view taken along line 5—5 in FIG. 1;
FIG. 6 is a section view taken along line 6—6 in FIG. 1;
FIG. 7 is a section view taken along line 7—7 in FIG. 1; and, FIG. 8 is a perspective view thereof.

The sectional views are included to clarify the shape of the design. The broken lines in the drawings are for illustrative purposes only and form no part of the claimed design.

1 Claim, 3 Drawing Sheets

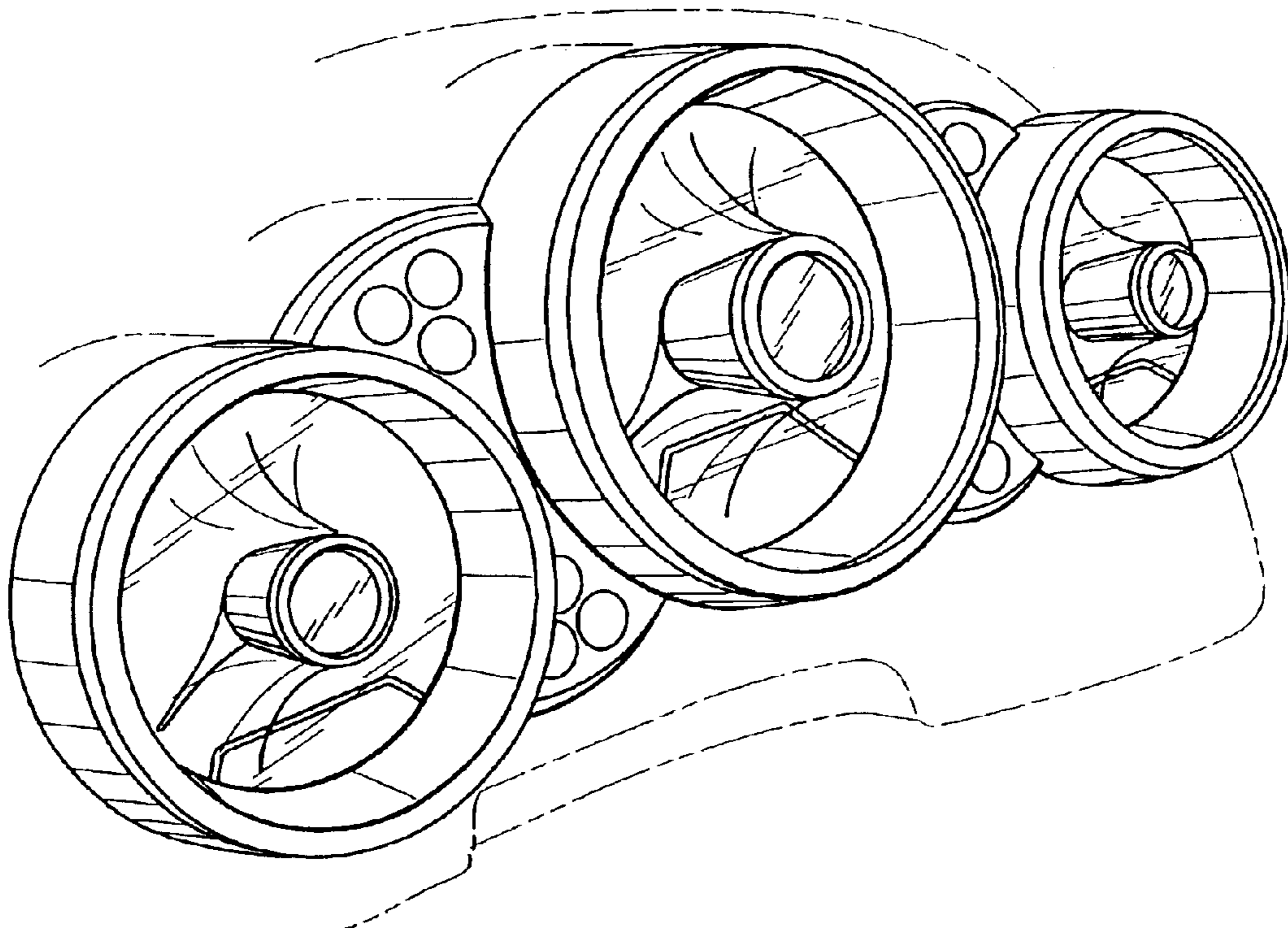


Fig. 1

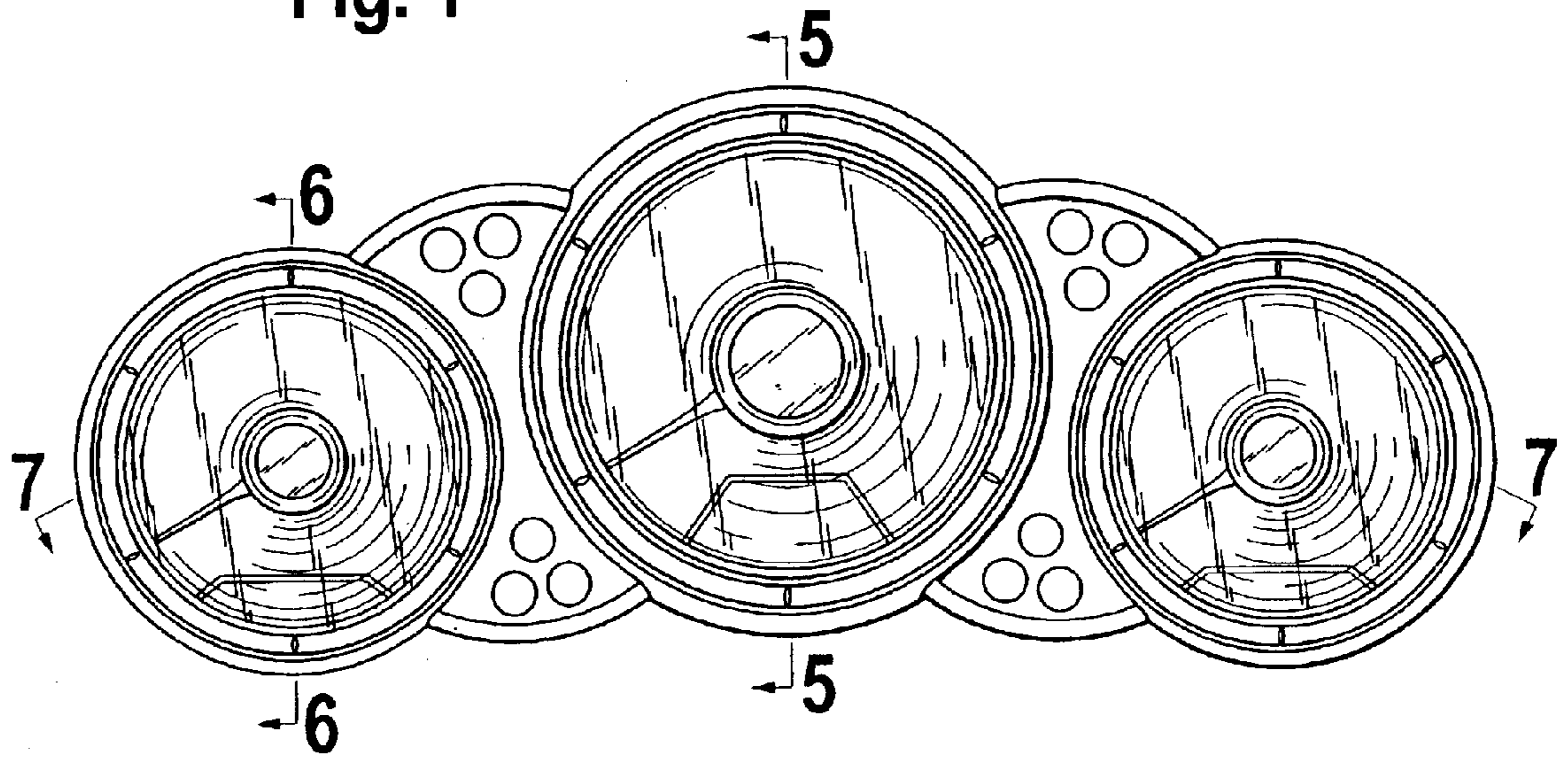


Fig. 2

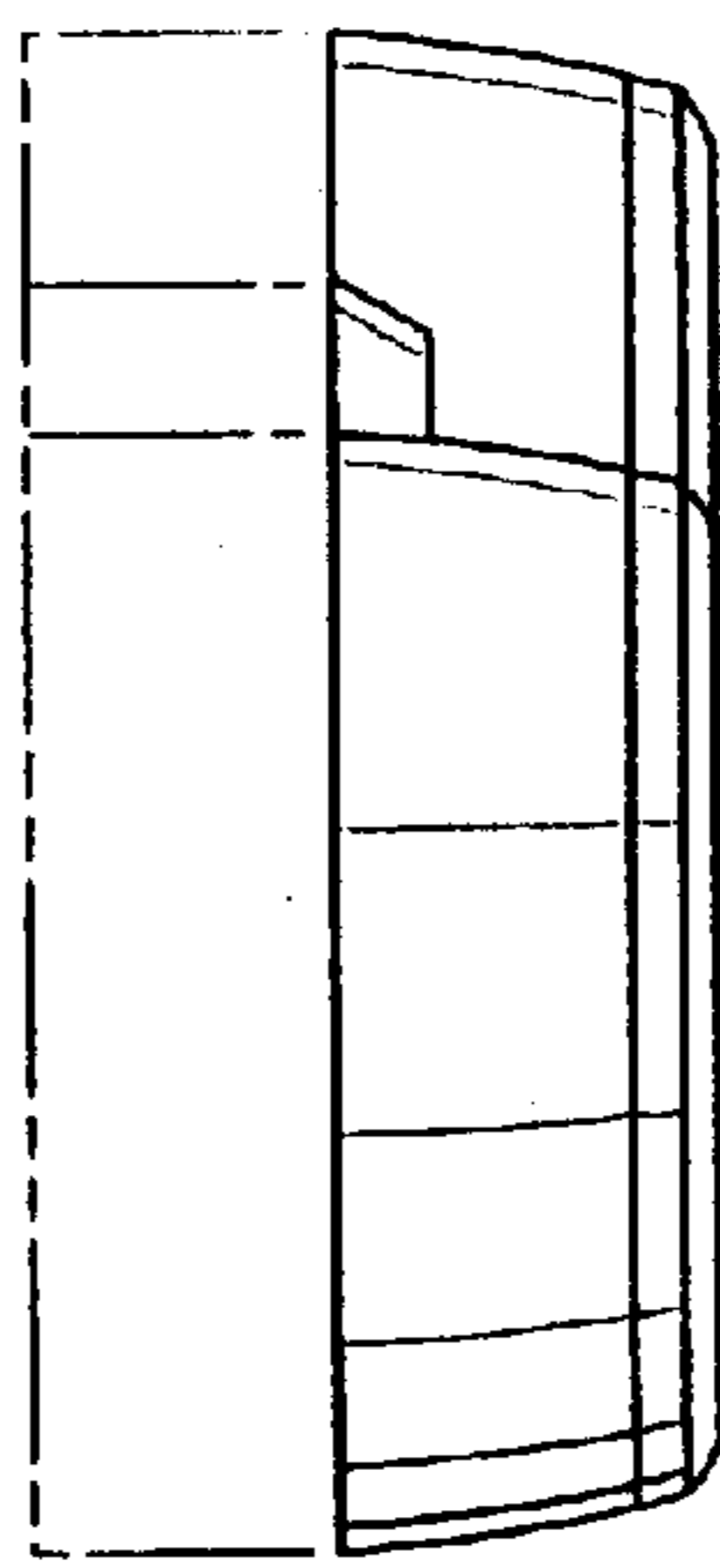


Fig. 3

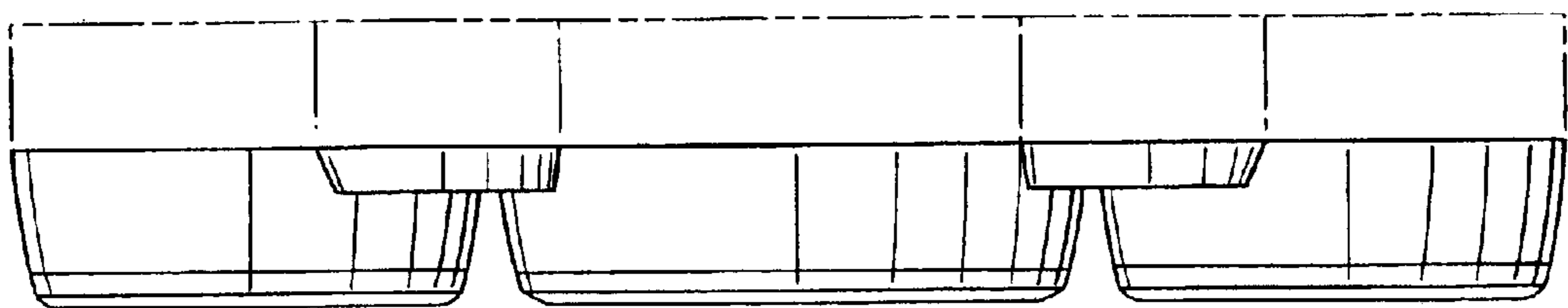


Fig. 4

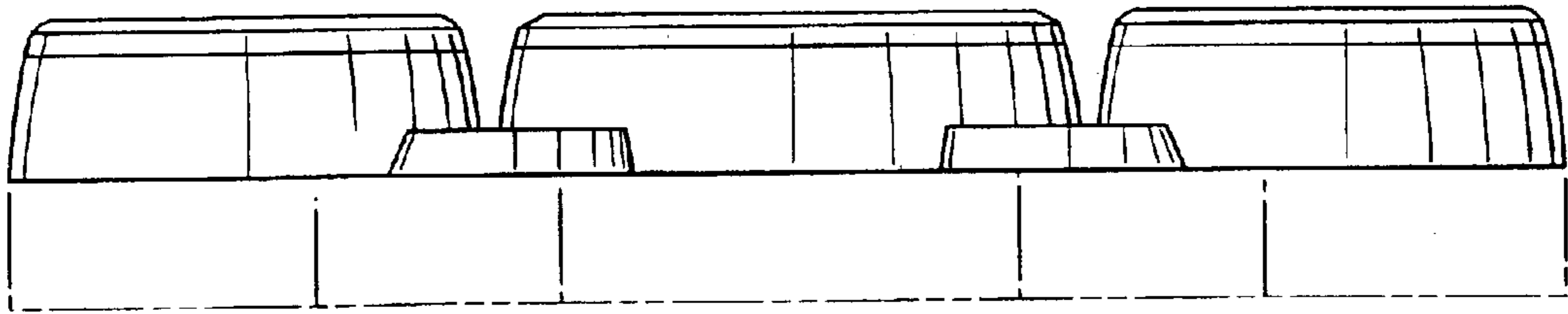


Fig. 5

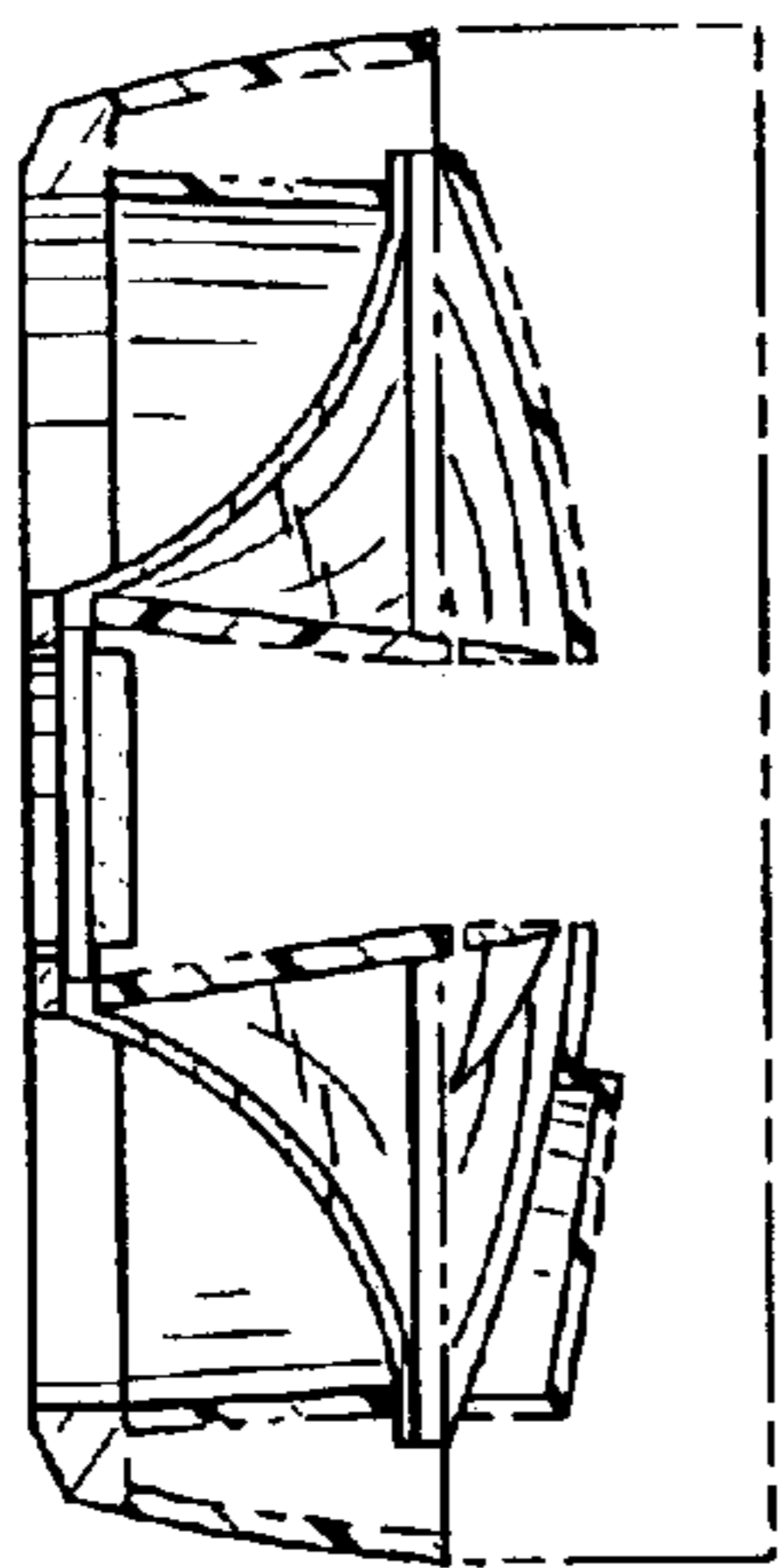


Fig. 6

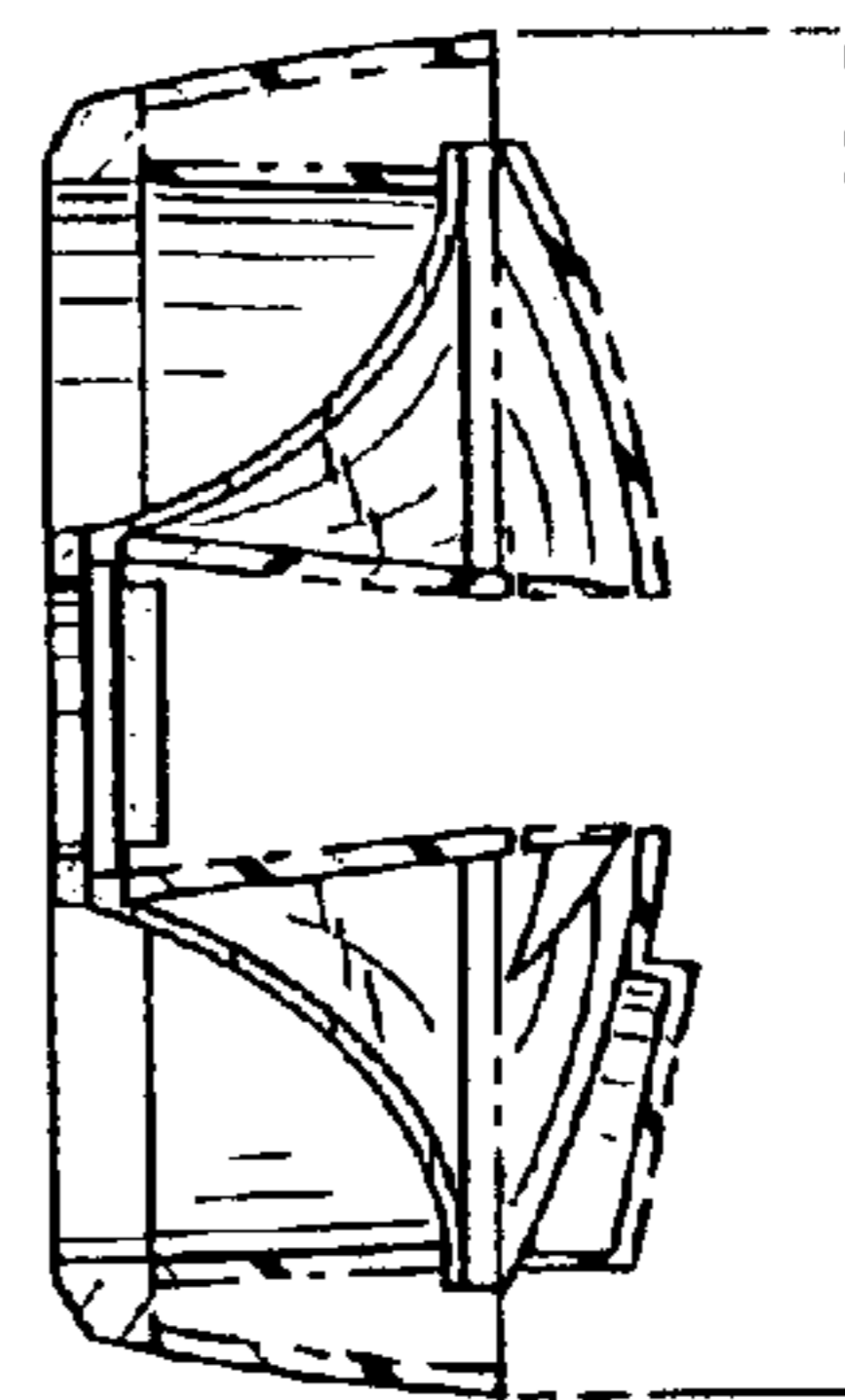


Fig. 7

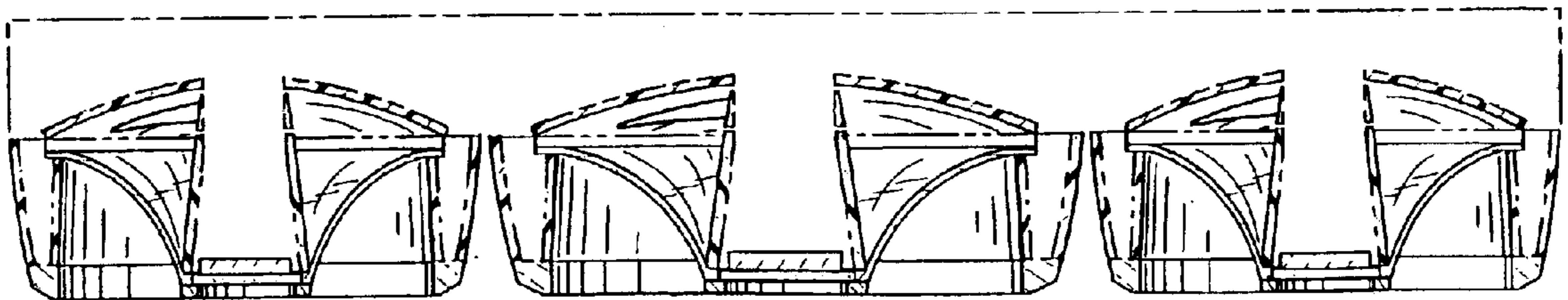


Fig. 8

