



US00D491501S

(12) **United States Design Patent**
Kuo

(10) **Patent No.:** **US D491,501 S**

(45) **Date of Patent:** **** Jun. 15, 2004**

(54) **AUTOMOBILE REARVIEW MIRROR**

D484,837 S * 1/2004 Liu D12/187

(75) Inventor: **Fang-Mei Kuo**, Yungkang (TW)

* cited by examiner

(73) Assignee: **Aloha Auto Industry Co.**, Tainan (TW)

Primary Examiner—Melody N. Brown

(**) Term: **14 Years**

(74) *Attorney, Agent, or Firm*—Alan D. Kamrath; Nikolai & Merserau, P.A.

(21) Appl. No.: **29/181,613**

(57) **CLAIM**

(22) Filed: **May 13, 2003**

The ornamental design for an automobile rearview mirror, as shown and described.

(51) **LOC (7) Cl.** **12-16**

(52) **U.S. Cl.** **D12/187**

(58) **Field of Search** D12/187-189;
359/838-850, 855-881; 248/475.1, 476

DESCRIPTION

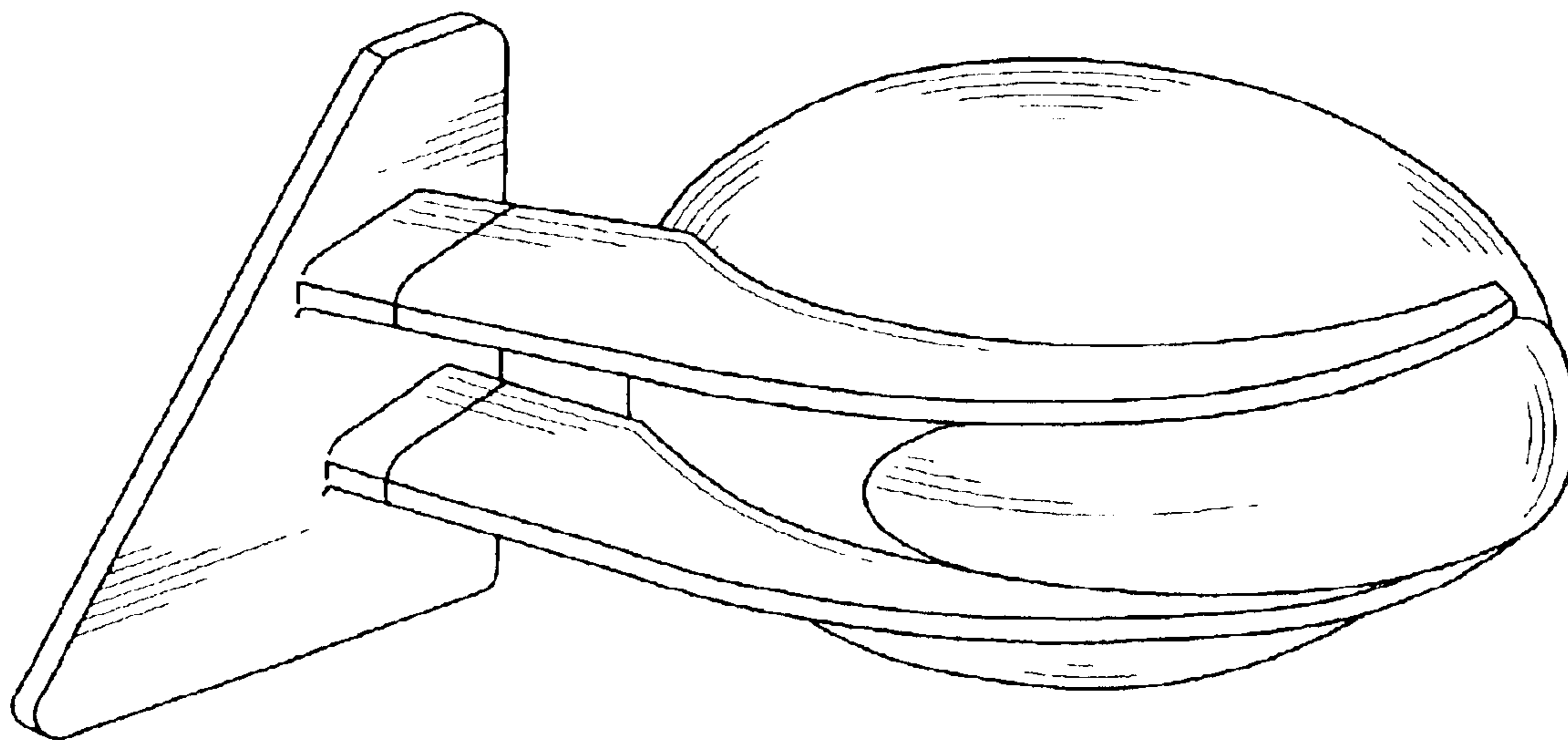
(56) **References Cited**

U.S. PATENT DOCUMENTS

- D350,721 S * 9/1994 Dayton et al. D12/187
- D427,127 S * 6/2000 Horowitz D12/187
- D432,473 S * 10/2000 Sieber D12/187
- D449,262 S * 10/2001 Kuo D12/187
- D463,342 S * 9/2002 Sinkwitz D12/187

FIG. 1 is a perspective view of an automobile rearview mirror showing my new design;
FIG. 2 is a front side elevational view thereof;
FIG. 3 is a rear side elevational view thereof;
FIG. 4 is a left side elevational view thereof;
FIG. 5 is a right side elevational view thereof;
FIG. 6 is a top plan view thereof; and,
FIG. 7 is a bottom plan view thereof.

1 Claim, 3 Drawing Sheets



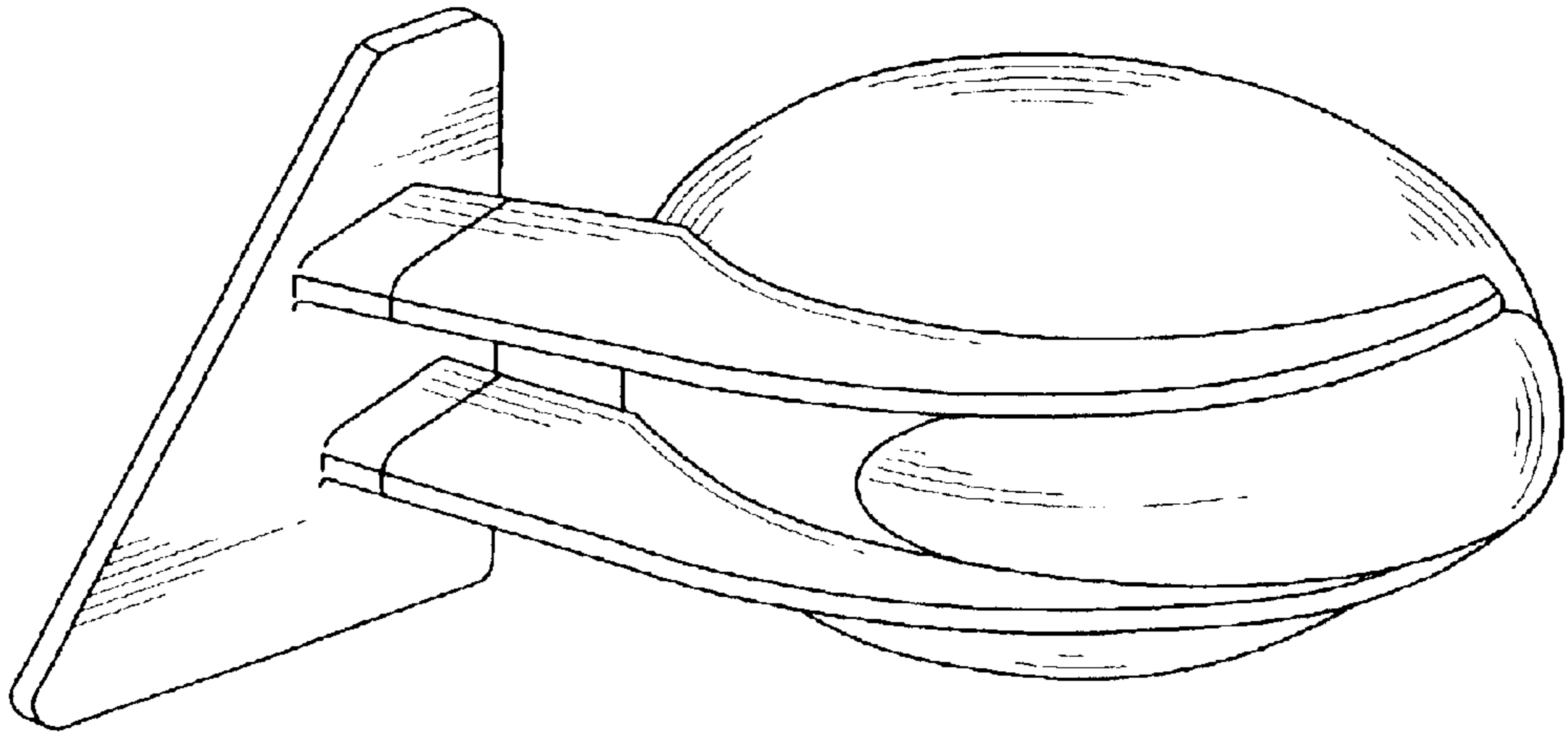


FIG. 1

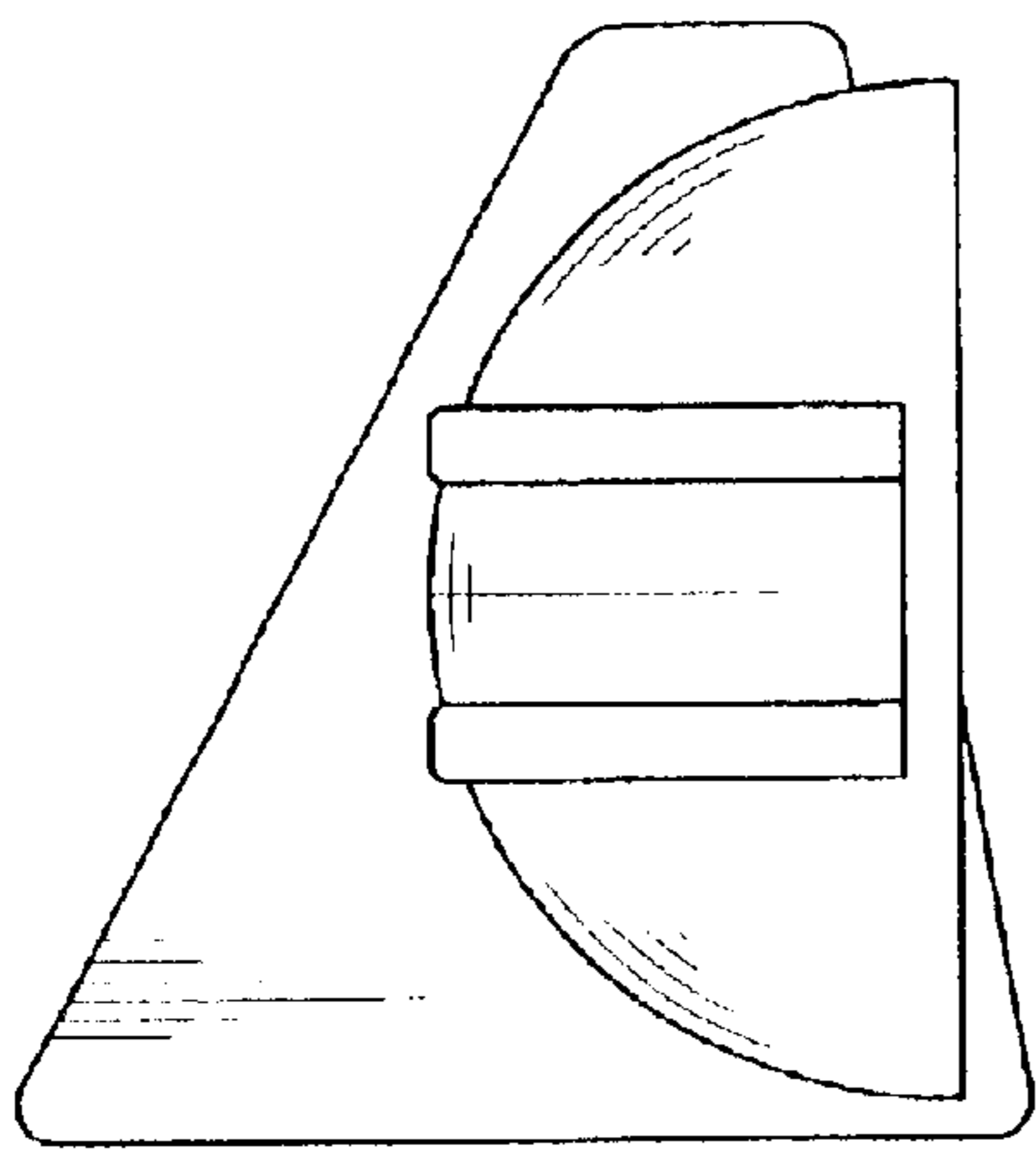


FIG. 4

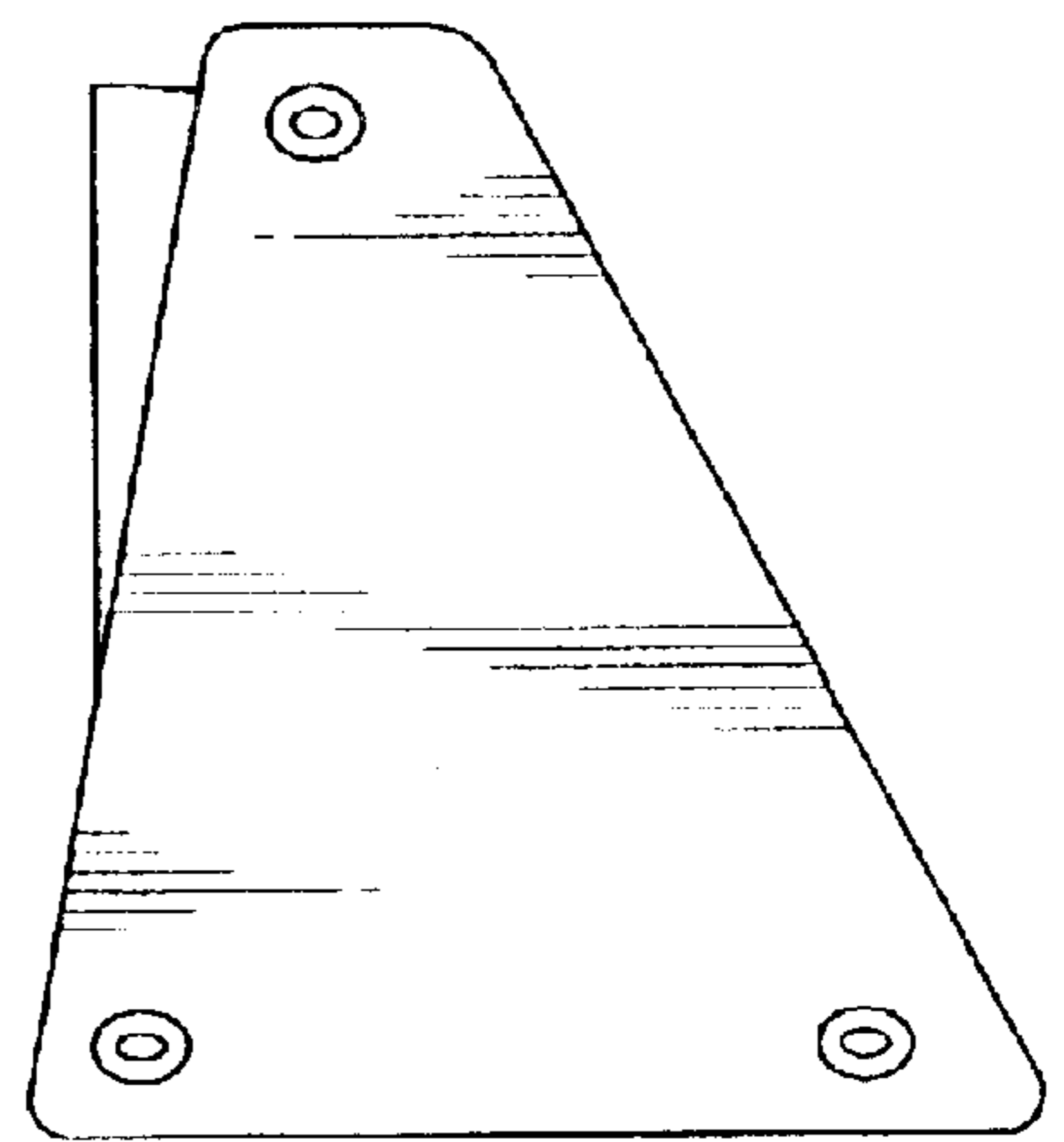


FIG. 5

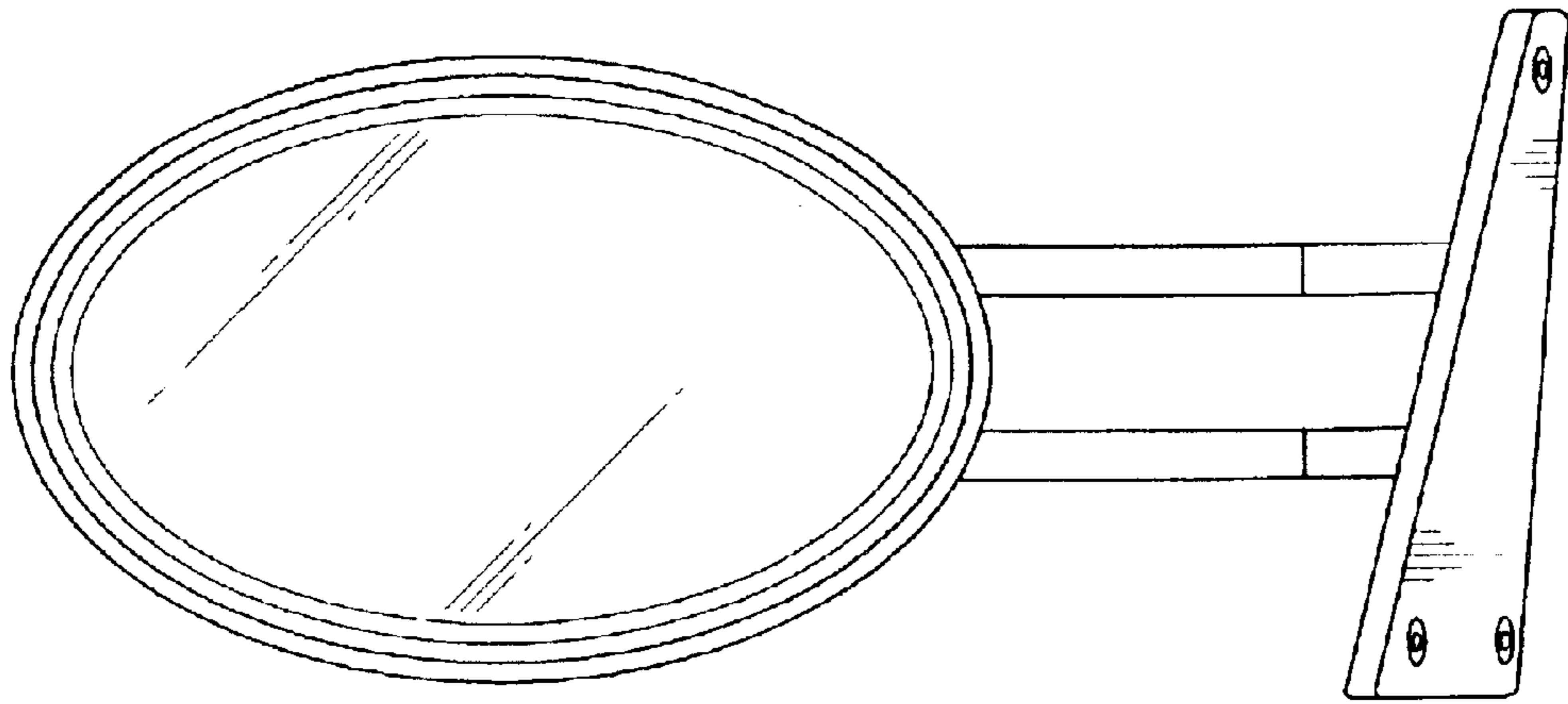


FIG. 2

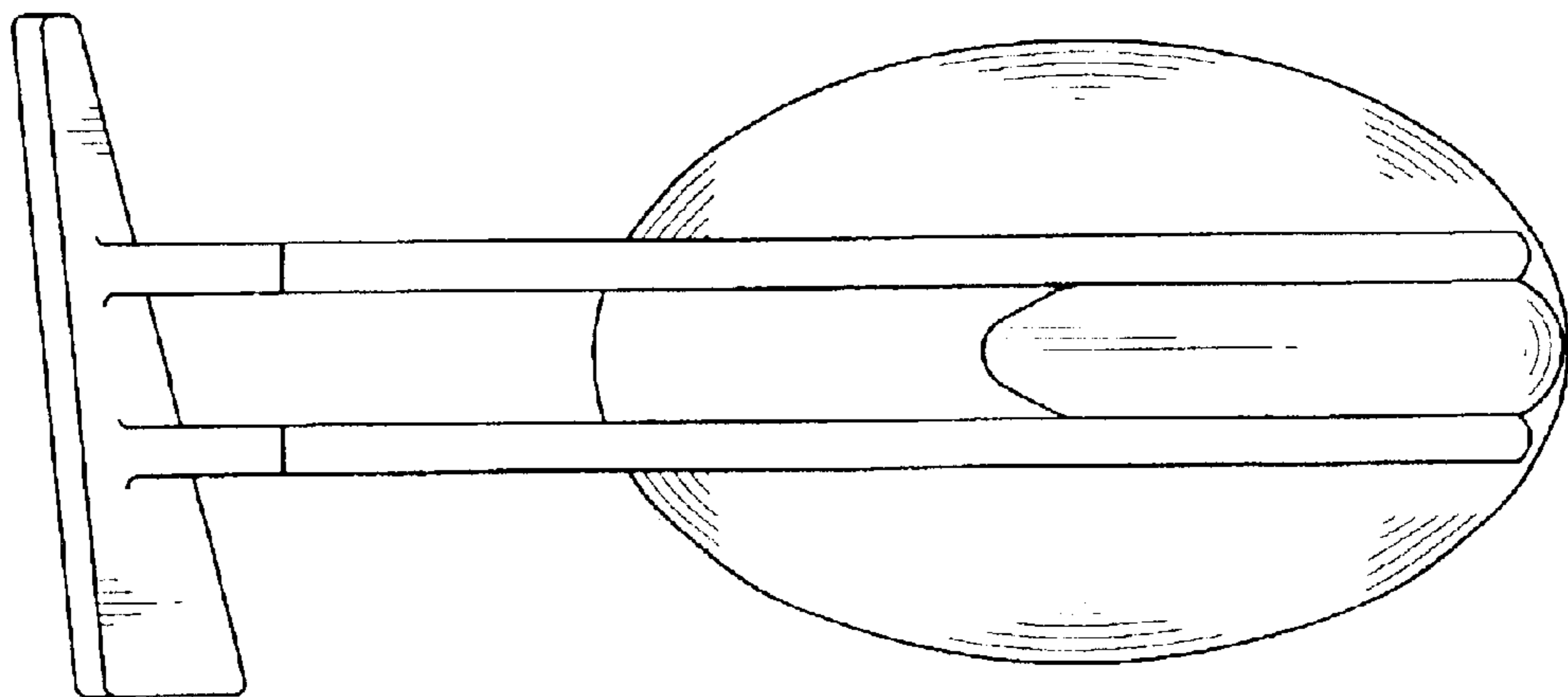


FIG. 3

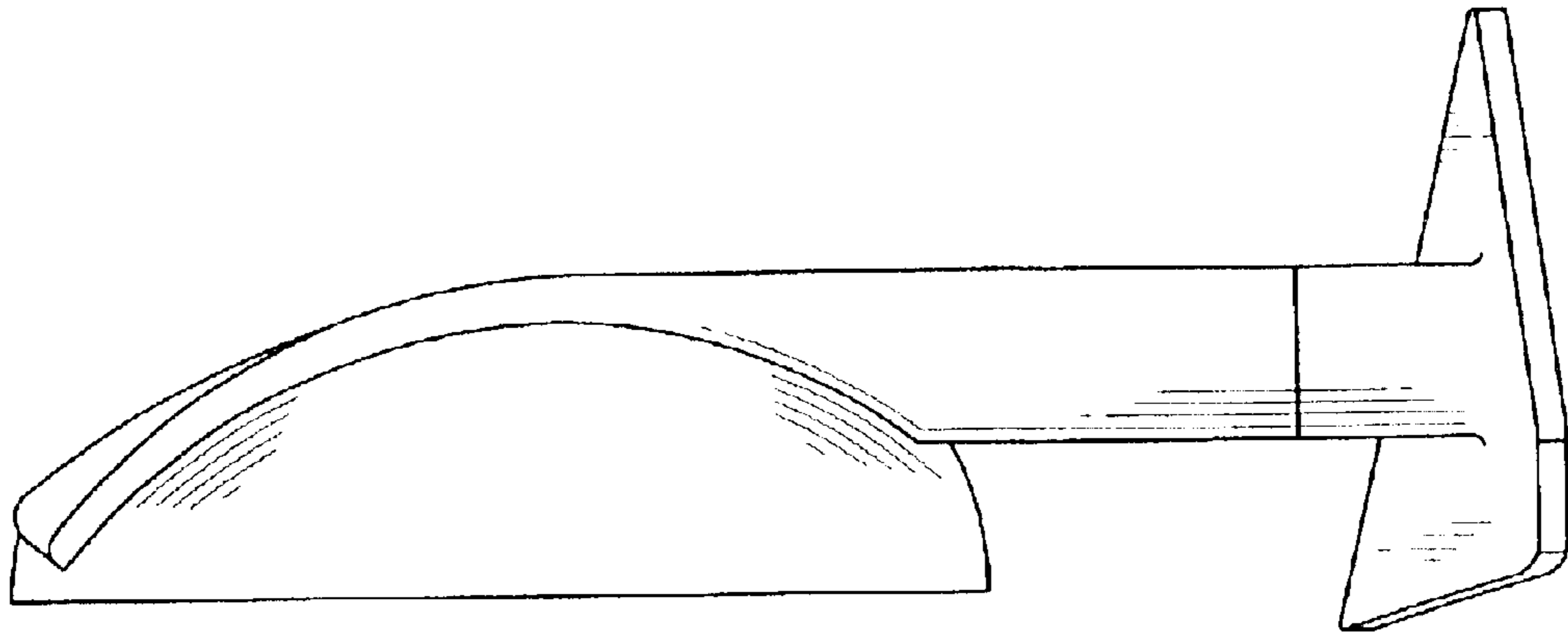


FIG. 6

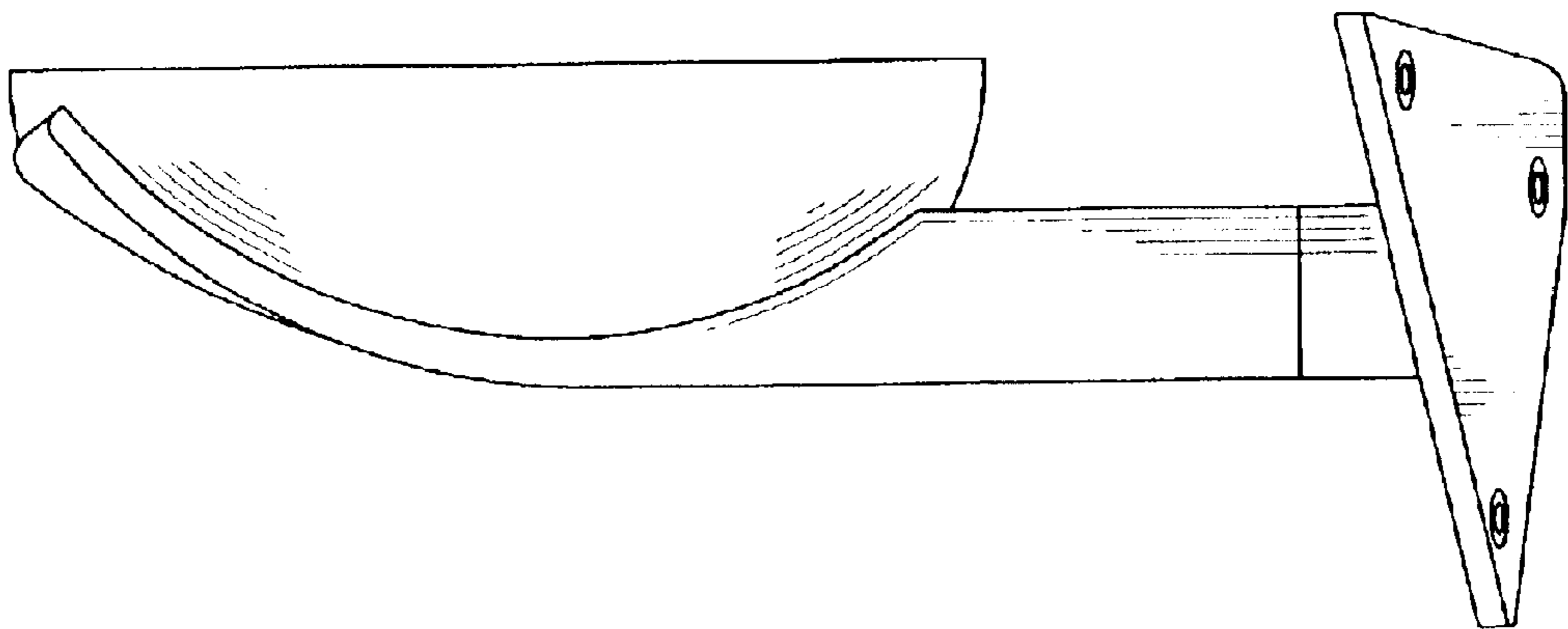


FIG. 7