



US00D491500S

(12) **United States Design Patent**
Fujiwara et al.

(10) **Patent No.:** **US D491,500 S**
(45) **Date of Patent:** **** Jun. 15, 2004**

(54) **CALIPER BODY FOR VEHICULAR DISK BRAKE**

(75) Inventors: **Atsushi Fujiwara**, Takahama (JP);
Yasuhito Noguchi, Kariya (JP);
Shinichi Morita, Nagoya (JP)

(73) Assignee: **A Advics Co., Ltd.**, Kariya (JP)

(**) Term: **14 Years**

(21) Appl. No.: **29/180,513**

(22) Filed: **Apr. 25, 2003**

(30) **Foreign Application Priority Data**

Oct. 29, 2002 (JP) 2002-029467

(51) **LOC (7) Cl.** **12-16**

(52) **U.S. Cl.** **D12/180**

(58) **Field of Search** D12/180; 188/71.1,
188/73.1, 250 B, 73.45

(56) **References Cited**

U.S. PATENT DOCUMENTS

D417,642 S * 12/1999 Ashley, Sr. D12/180
D426,180 S * 6/2000 Pink et al. D12/180
D462,040 S * 8/2002 Ueno et al. D12/180

FOREIGN PATENT DOCUMENTS

JP 842797 7/1992
JP 984965 7/1997
JP 999539 12/1997
JP 1025215 11/1998
JP 1025305 11/1998
JP 1025305-1 8/1999
JP 1054670 11/1999

JP 1101138 2/2001
JP 1102391 3/2001
JP 1102980 3/2001
JP 1134087 2/2002
JP 1134111 2/2002
JP 1151622 9/2002
JP 1151631 9/2002
JP 1170704 4/2003

* cited by examiner

Primary Examiner—Lisa Lichtenstein

(74) *Attorney, Agent, or Firm*—Burns, Doane, Swecker & Mathis, L.L.P.

(57) **CLAIM**

The ornamental design for a caliper body for vehicular disk brake, as shown and described.

DESCRIPTION

FIG. 1 is a front view showing a caliper body for vehicular disk brake according to the present invention; FIG. 2 is a rear view showing the caliper body of FIG. 1; FIG. 3 is a top plan view showing the caliper body of FIG. 1; FIG. 4 is a bottom plan view showing the caliper body of FIG. 1; FIG. 5 is a right side view showing the caliper body of FIG. 1; FIG. 6 is a left side view showing the caliper body of FIG. 1; FIG. 7 is a front perspective view showing the caliper body of FIG. 1; and, FIG. 8 is a rear perspective view showing the caliper body of FIG. 1.

1 Claim, 4 Drawing Sheets

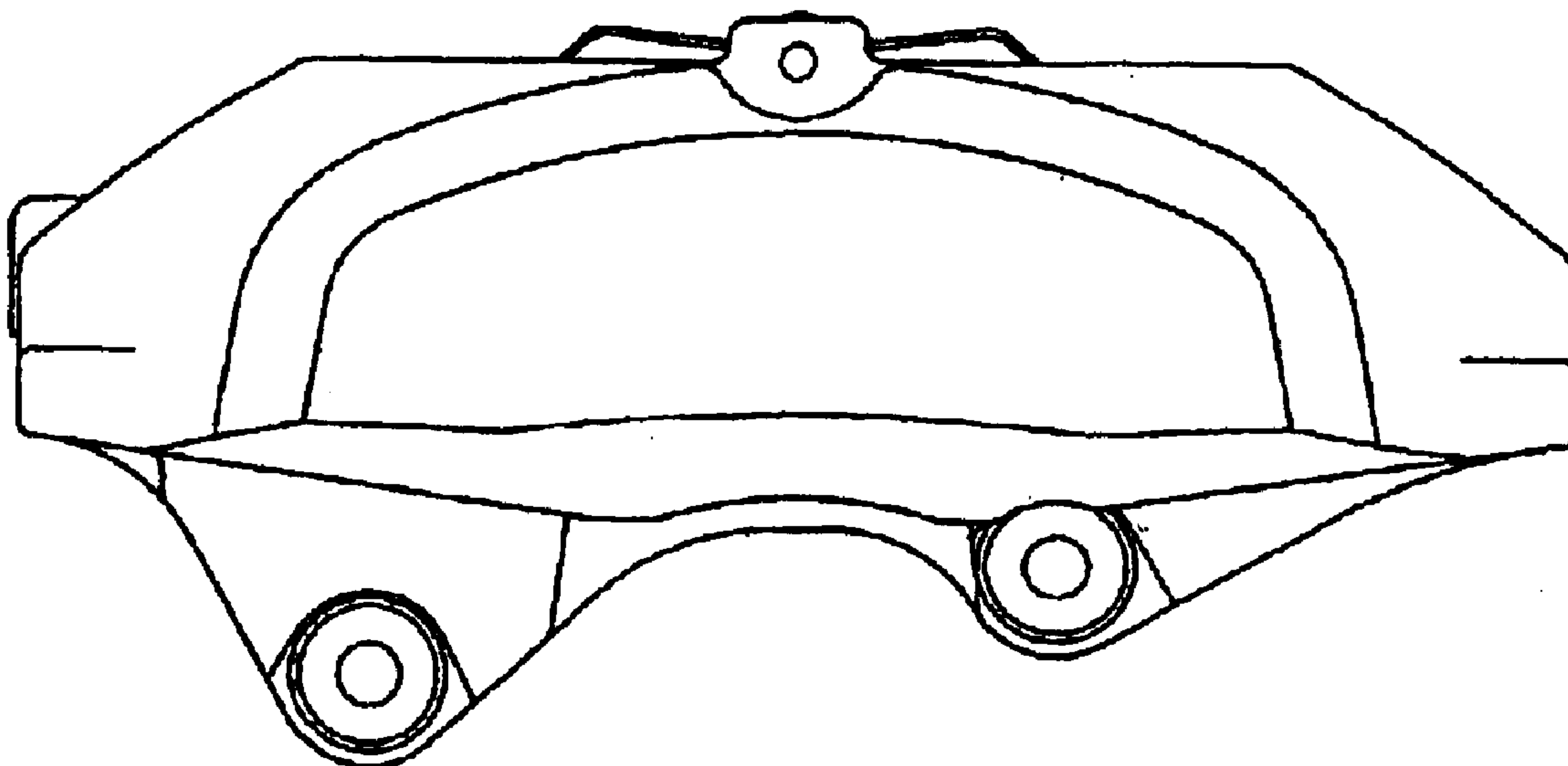


Fig. 1

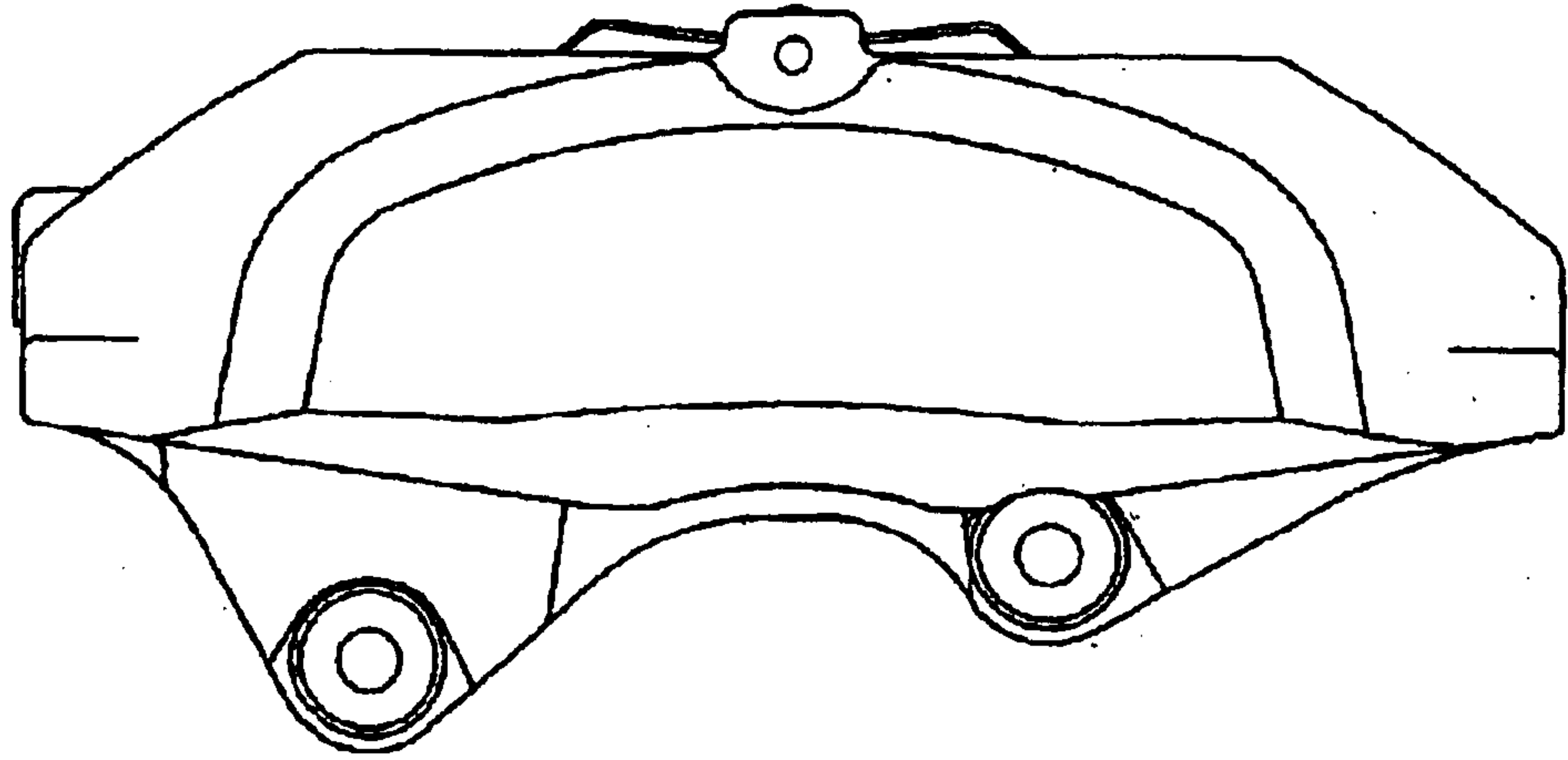


Fig. 2

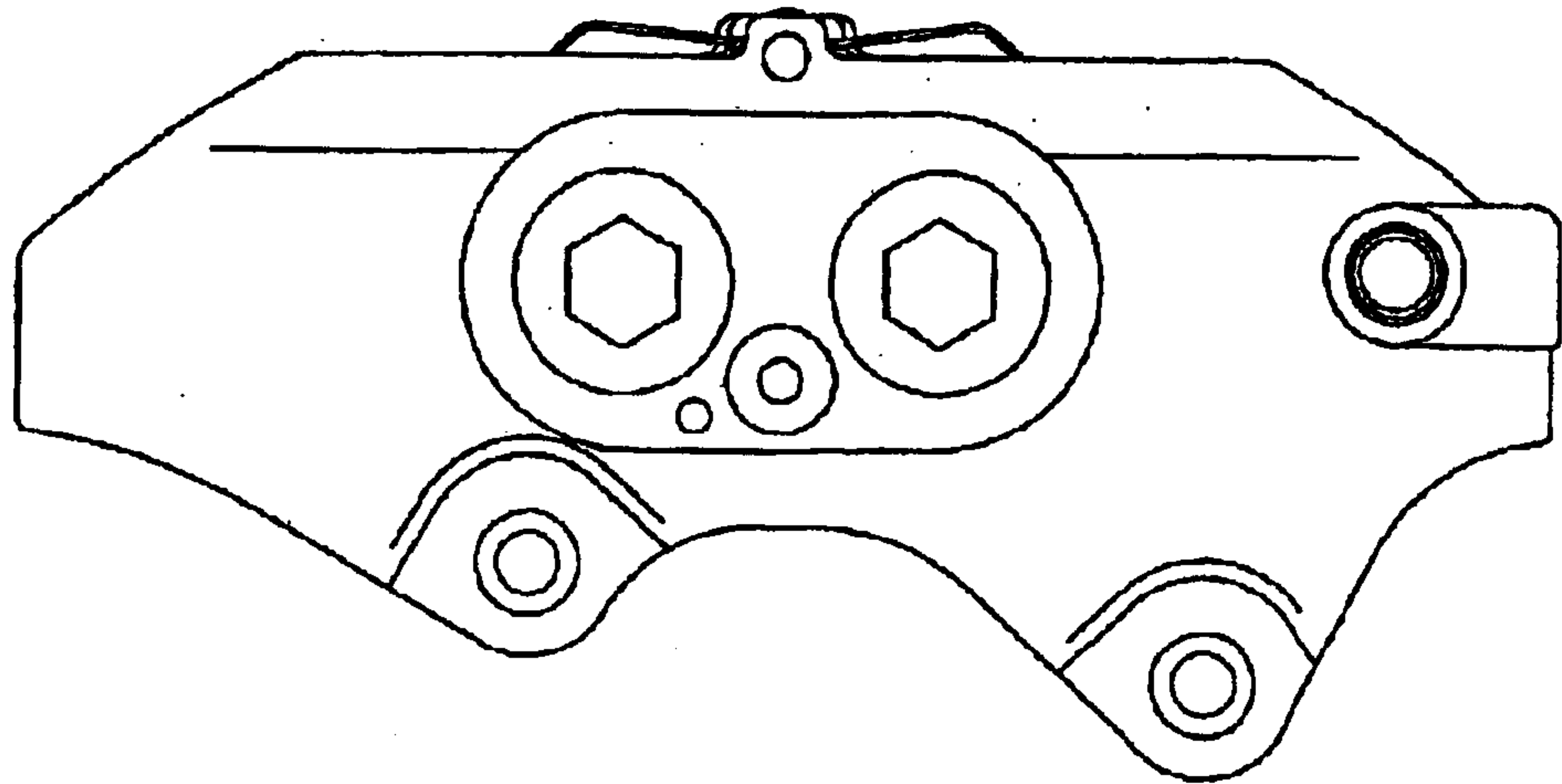


Fig. 3

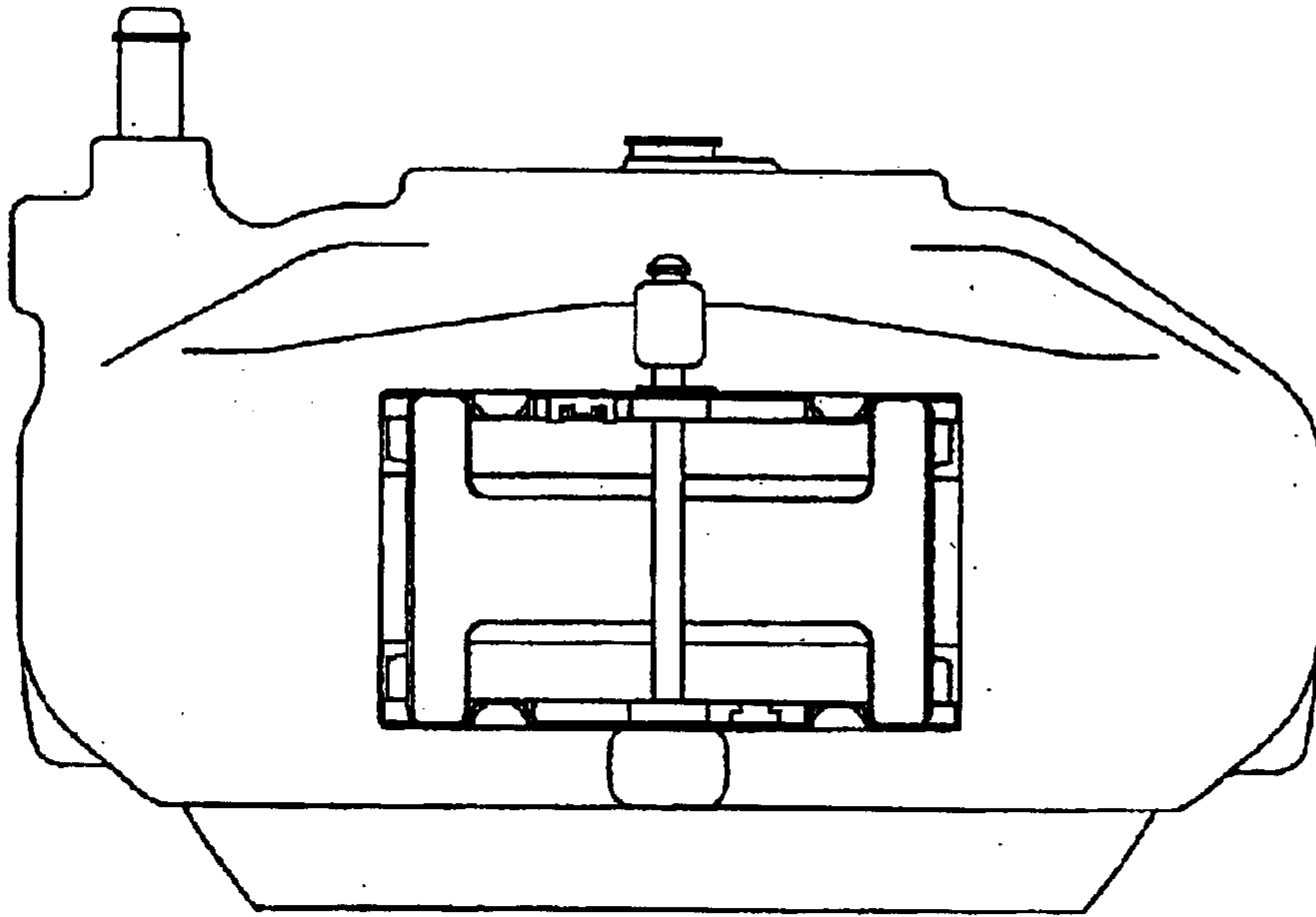


Fig. 4

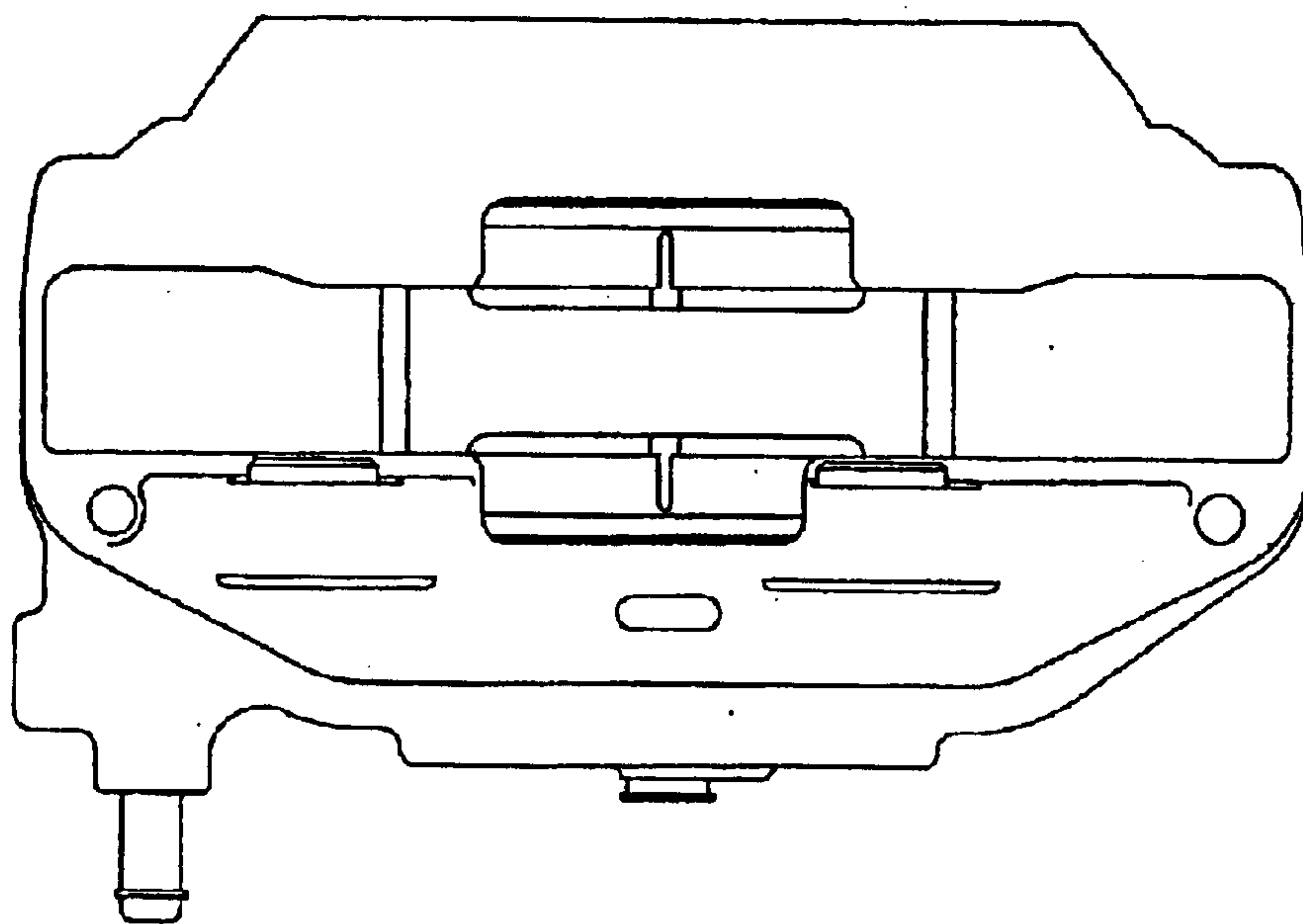


Fig. 5

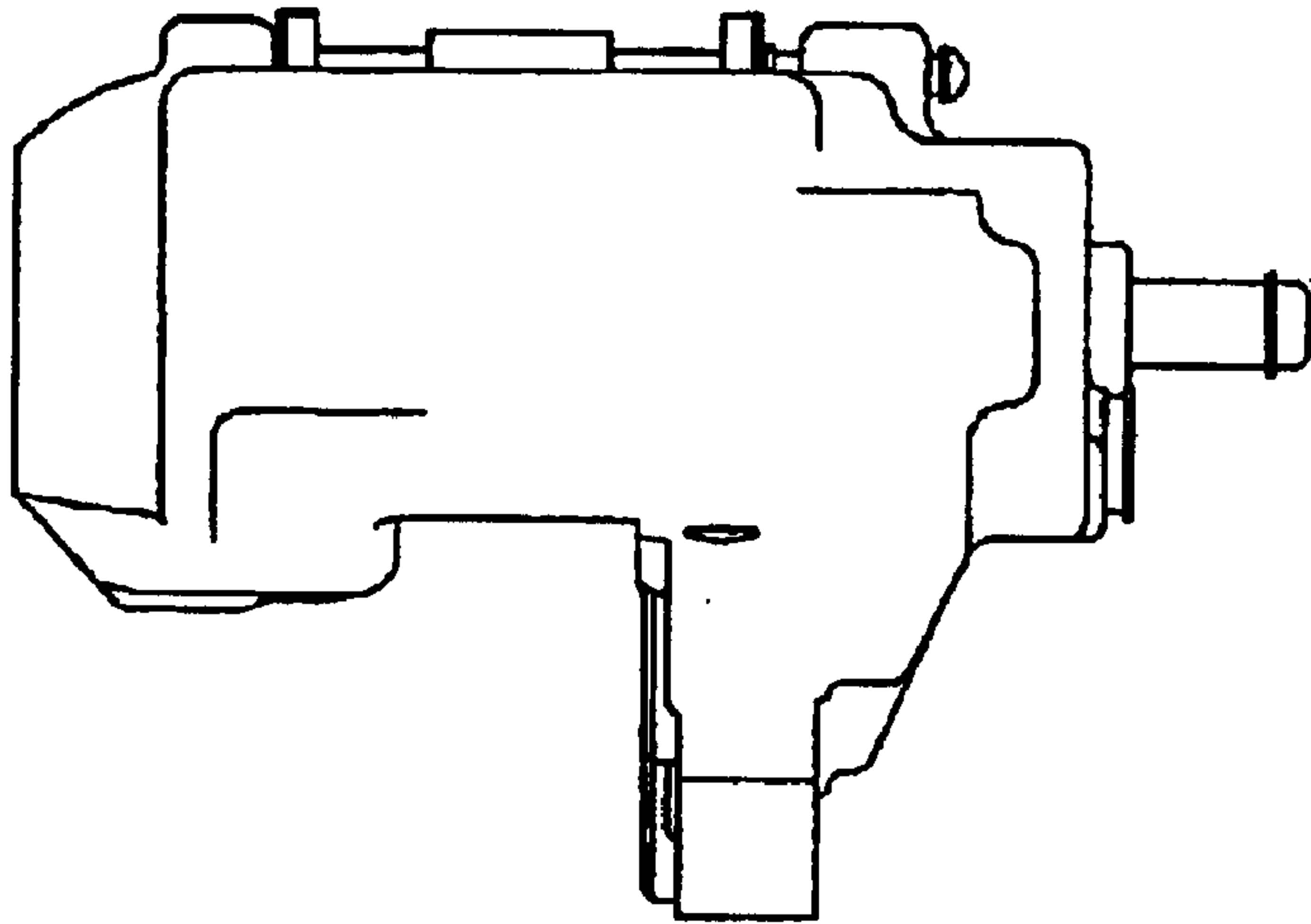


Fig. 6

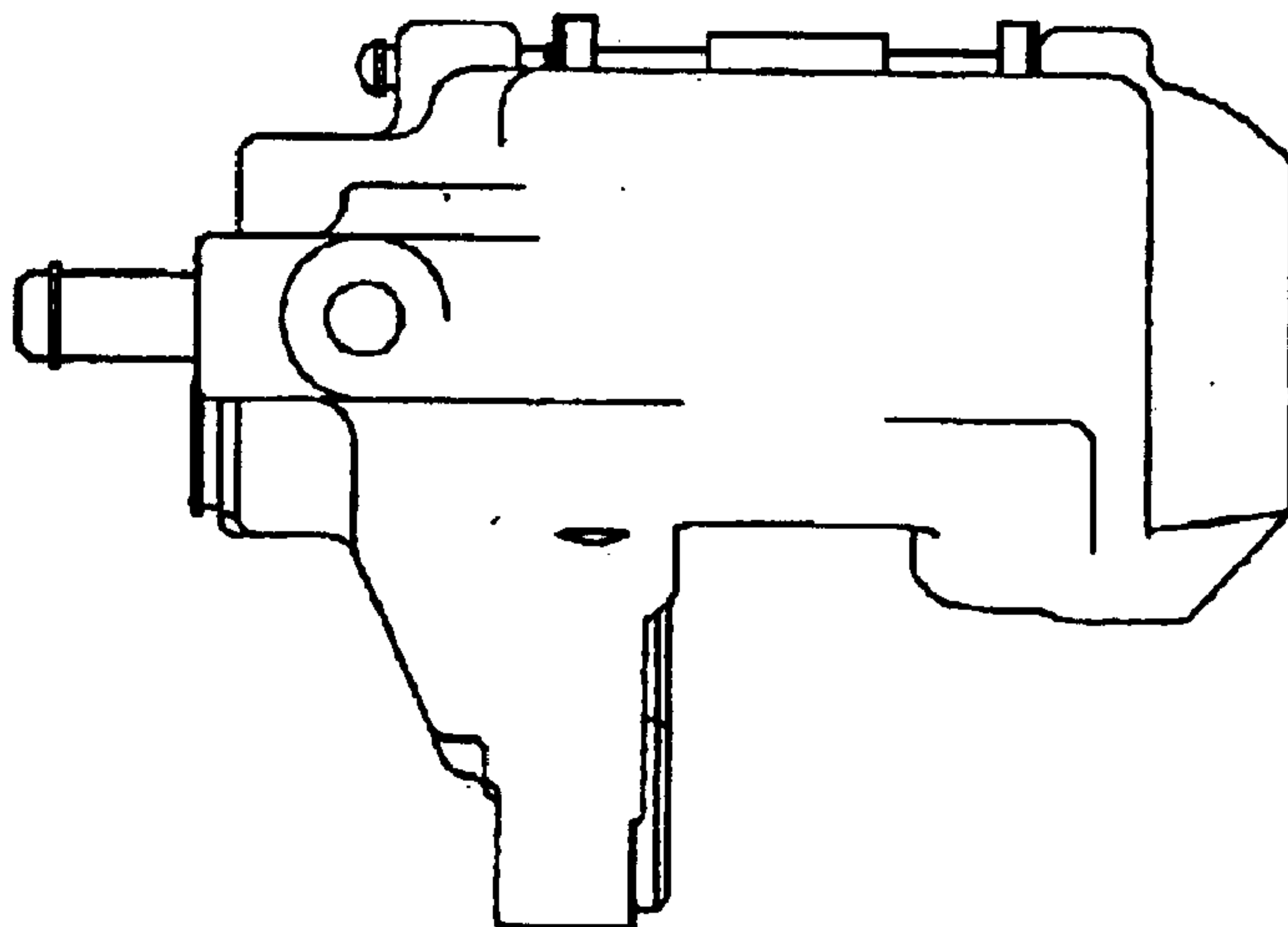


Fig. 7

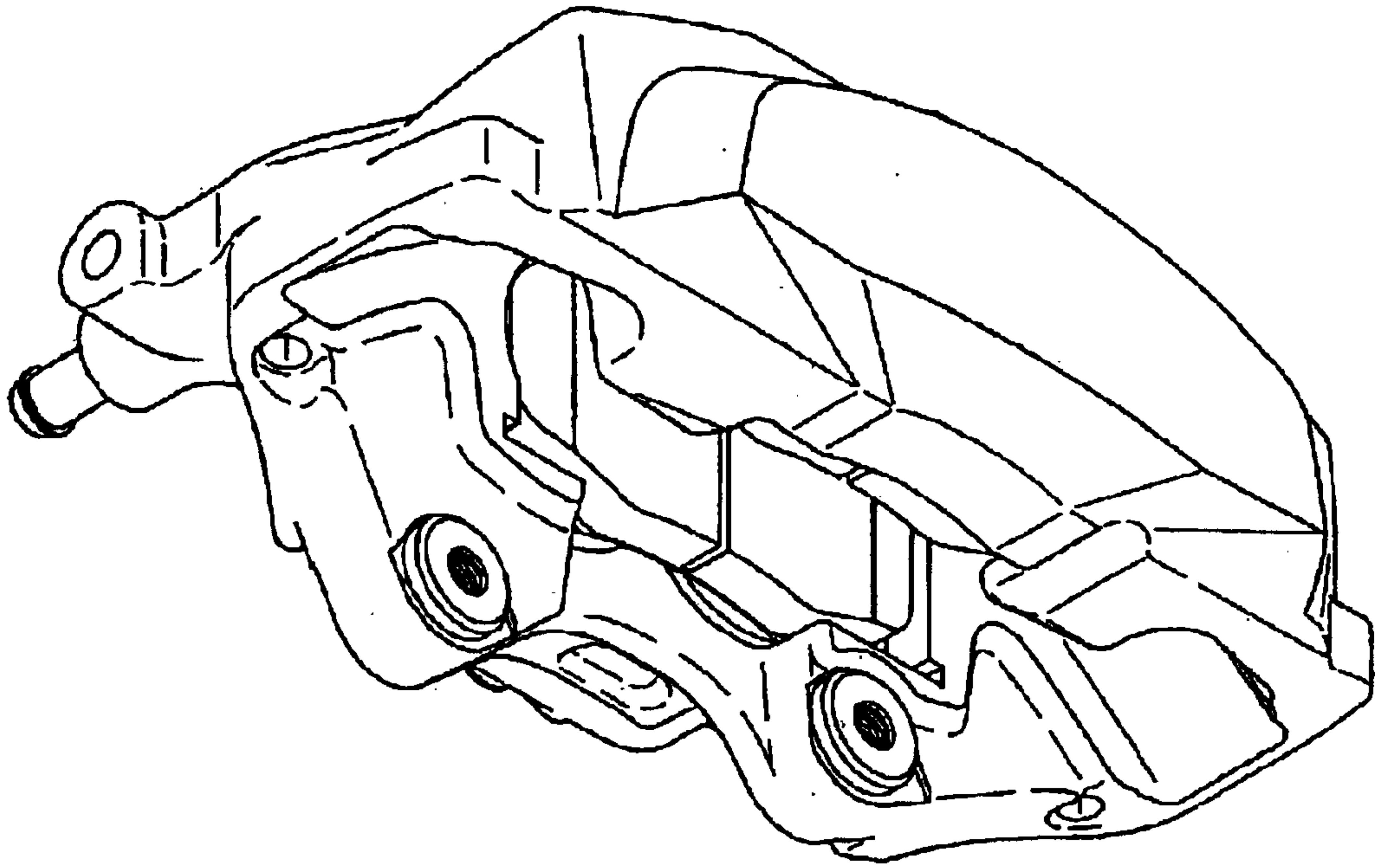
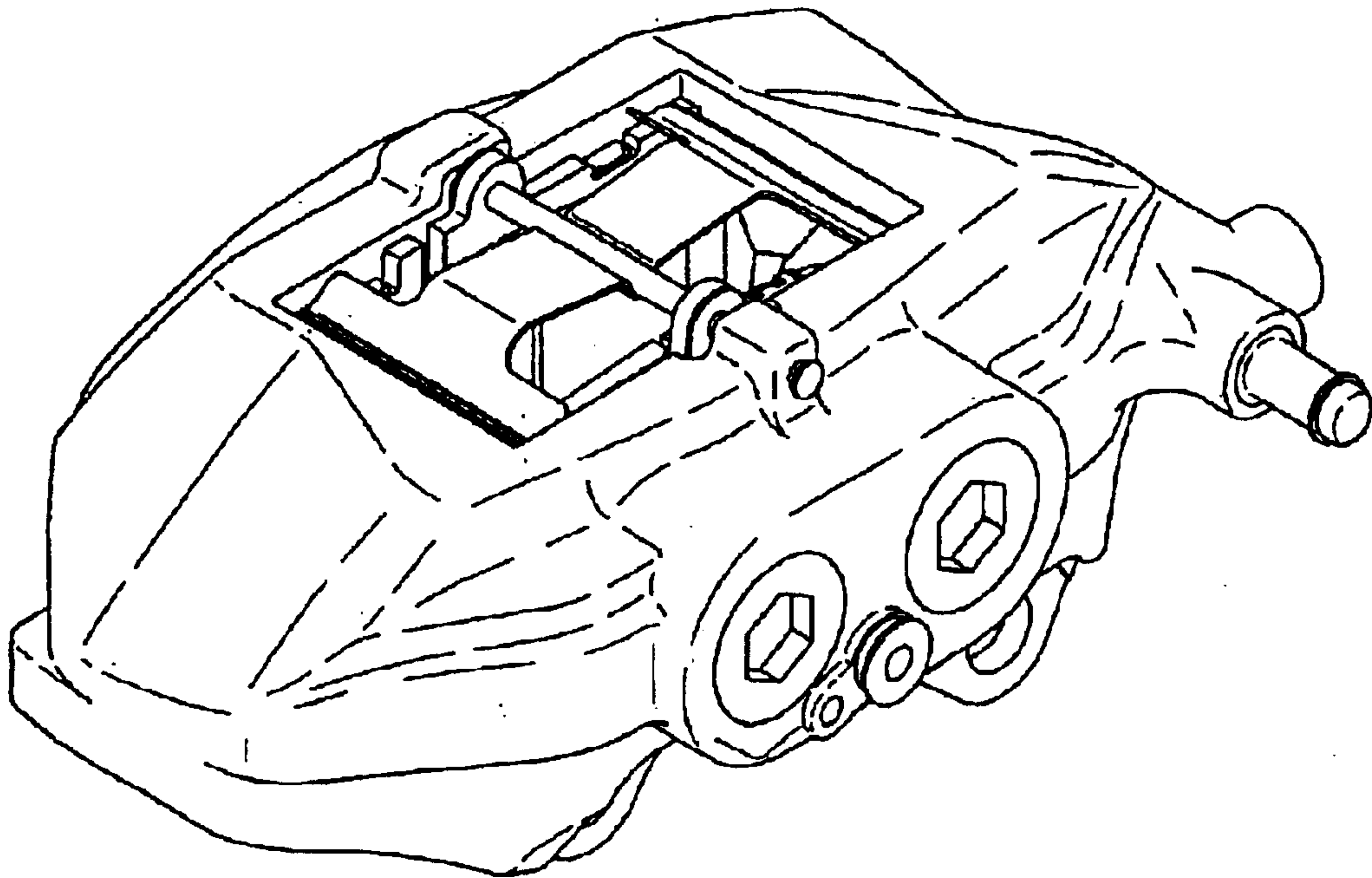


Fig. 8



UNITED STATES PATENT AND TRADEMARK OFFICE
CERTIFICATE OF CORRECTION

PATENT NO. : Des. 491,500 S
DATED : June 15, 2004
INVENTOR(S) : Atsushi Fujiwara et al.


Page 1 of 1

It is certified that error appears in the above-identified patent and that said Letters Patent is hereby corrected as shown below:

Title page,
Item [73], Assignee, change "A Advics Co., Ltd." to -- Advics Co., Ltd. --.

Signed and Sealed this

First Day of March, 2005

A handwritten signature in black ink on a dotted background. The signature reads "Jon W. Dudas" in a cursive style.

JON W. DUDAS

Director of the United States Patent and Trademark Office