



US00D491497S

(12) **United States Design Patent**
Sasaki et al.

(10) **Patent No.:** **US D491,497 S**

(45) **Date of Patent:** **** Jun. 15, 2004**

(54) **FRONT BUMPER FOR AN AUTOMOBILE**

D474,720 S * 5/2003 Tachibana et al. D12/169

(75) Inventors: **Takumi Sasaki**, Aichi-ken (JP);
Yoshiaki Matsuda, Aichi-ken (JP)

(73) Assignee: **Toyota Jidosha Kabushiki Kaisha** (JP)

(**) Term: **14 Years**

(21) Appl. No.: **29/178,090**

(22) Filed: **Mar. 20, 2003**

(30) **Foreign Application Priority Data**

Jan. 27, 2003 (JP) 2003-001634

(51) **LOC (7) Cl.** **12-16**

(52) **U.S. Cl.** **D12/169**

(58) **Field of Search** D12/169, 196,
D12/90-92; 296/180.1, 180.2; 293/102,
113, 115, 117, 120

(56) **References Cited**

U.S. PATENT DOCUMENTS

D473,499 S * 4/2003 Tanabe et al. D12/169

D473,500 S * 4/2003 Okumoto et al. D12/169

OTHER PUBLICATIONS

2002 Nissan FAIRLADY Z, Motor Fan Extra Issue; Oct. 10, 2002; front cover page.

* cited by examiner

Primary Examiner—Melody N. Brown

(74) *Attorney, Agent, or Firm*—Saidman DesignLaw Group

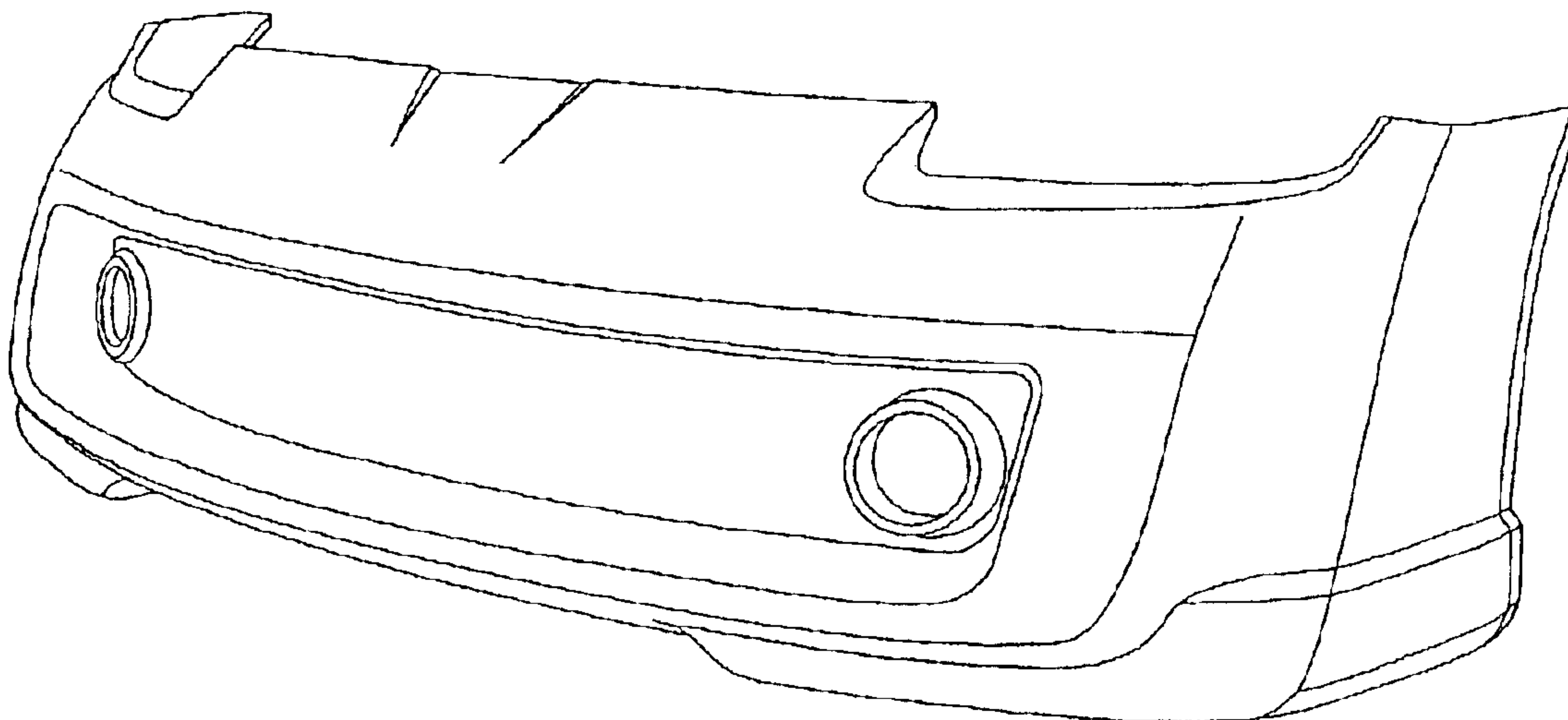
(57) **CLAIM**

The ornamental design for a front bumper for an automobile, as shown and described.

DESCRIPTION

FIG. 1 is a perspective view of a front bumper for an automobile showing our new design;
FIG. 2 is a front view thereof;
FIG. 3 is a rear view thereof;
FIG. 4 is a top view thereof;
FIG. 5 is a bottom view; and,
FIG. 6 is a right side view thereof, the left side view being a mirror image.

1 Claim, 4 Drawing Sheets



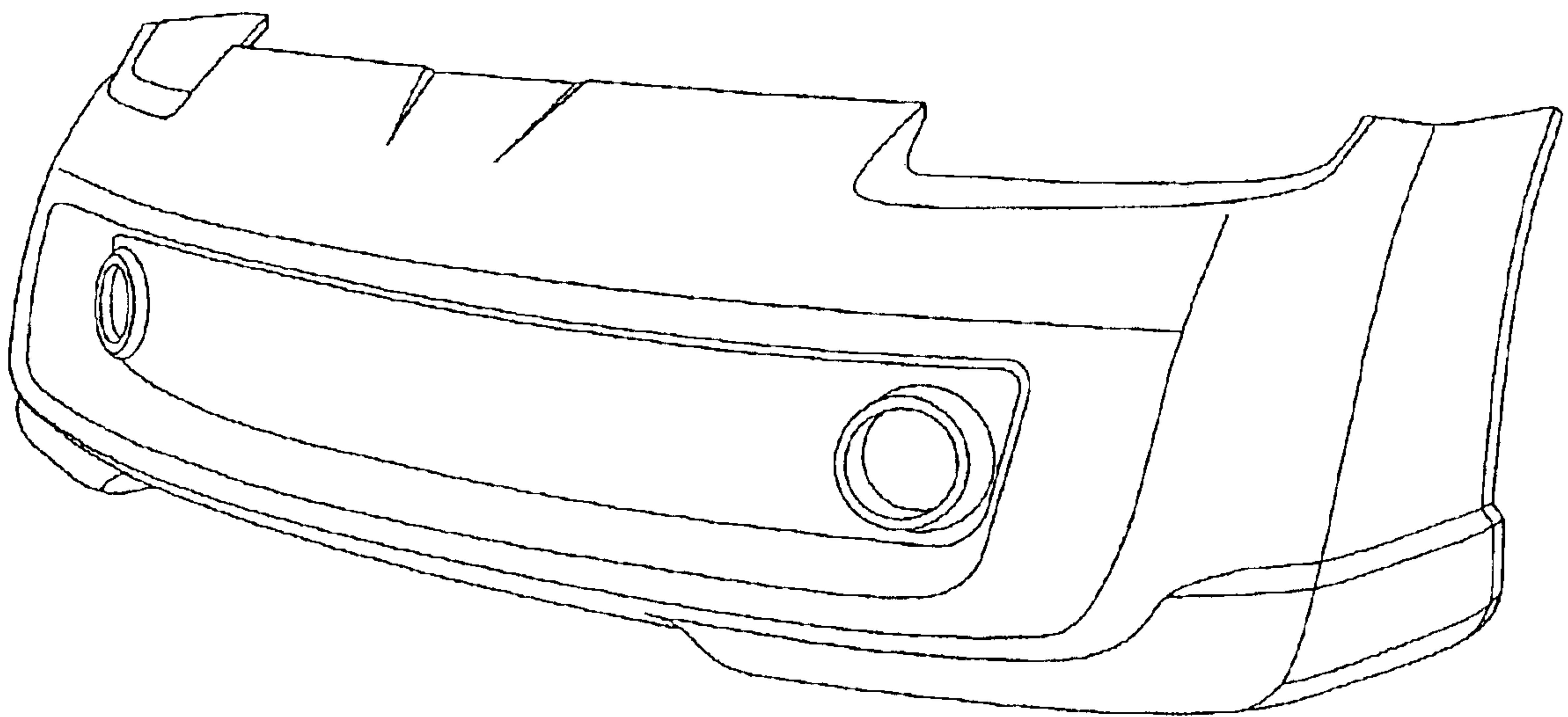


FIG. 1

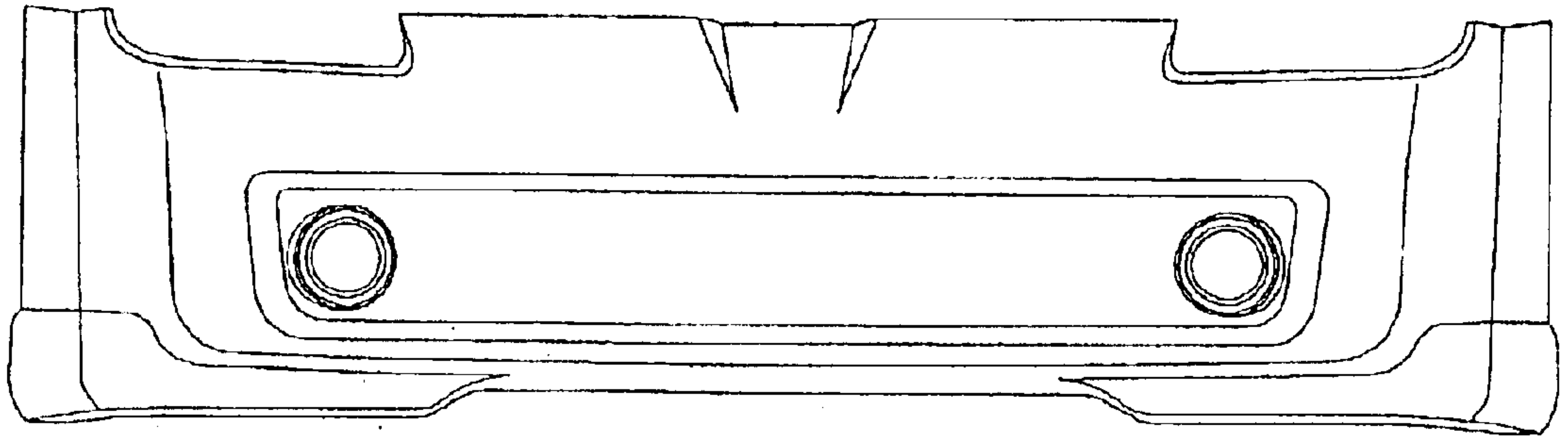


FIG. 2

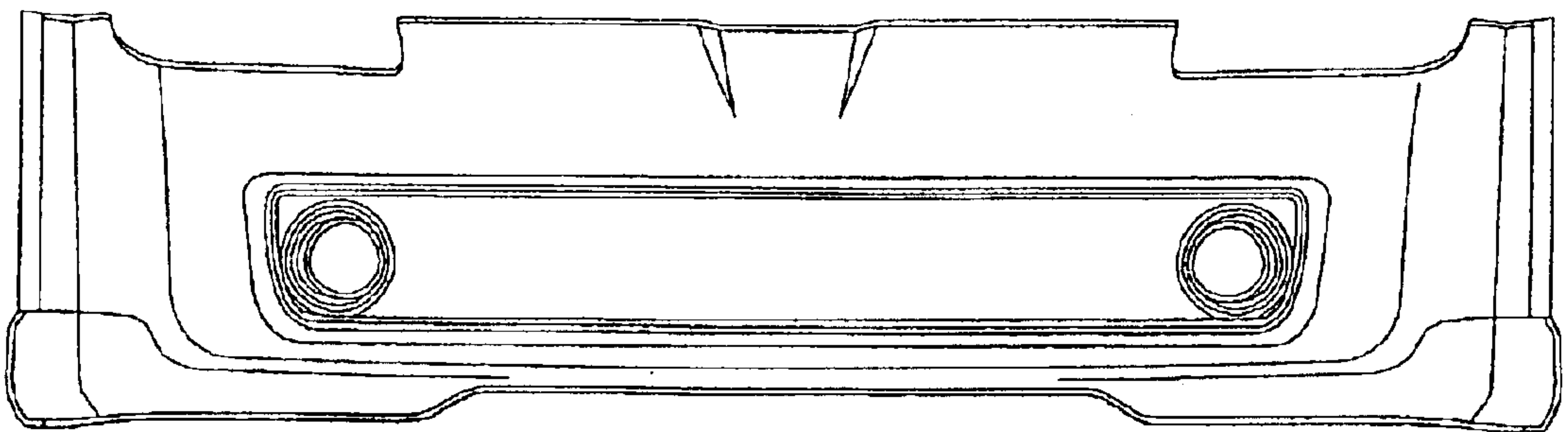


FIG. 3

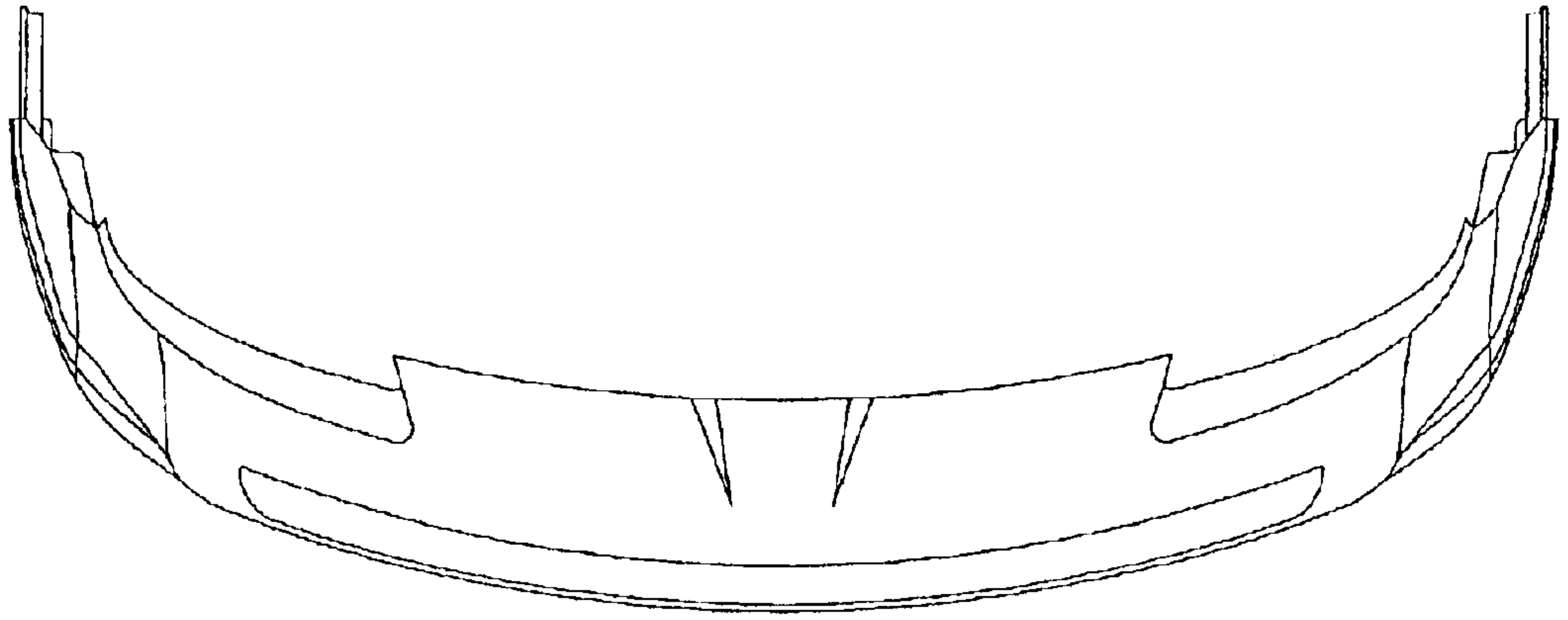


FIG. 4

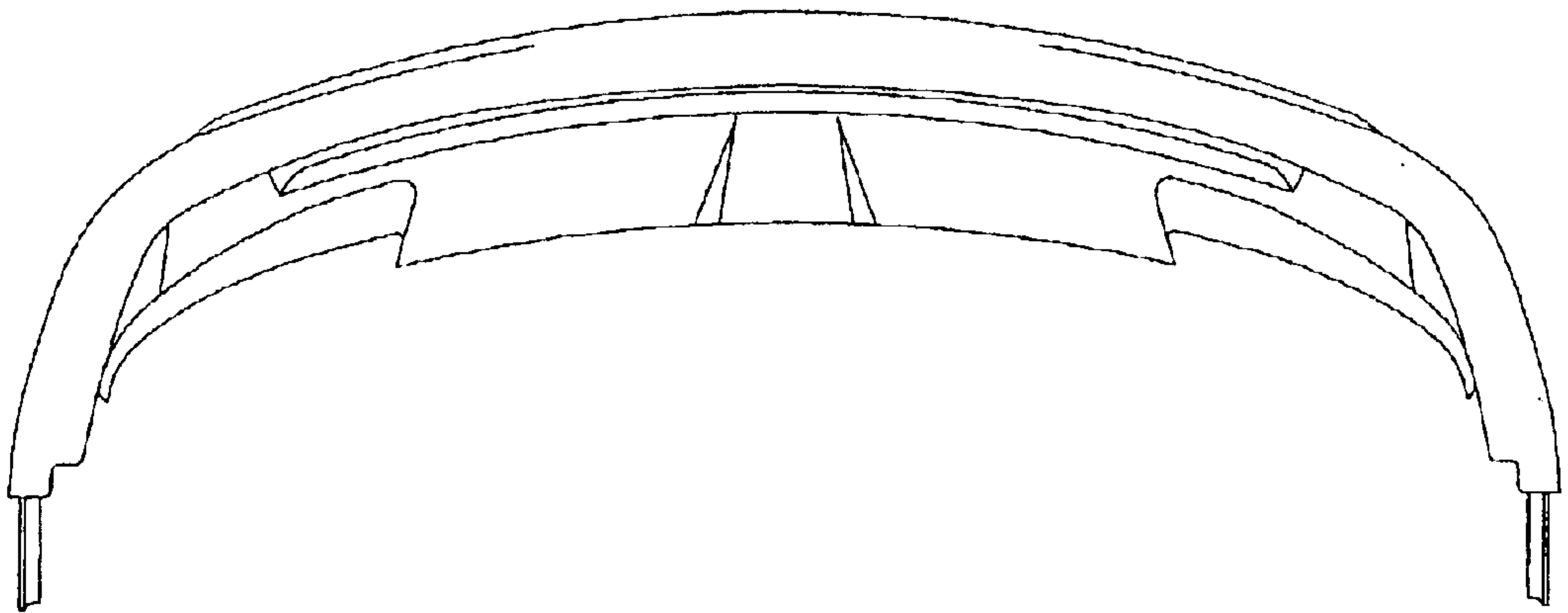


FIG. 5

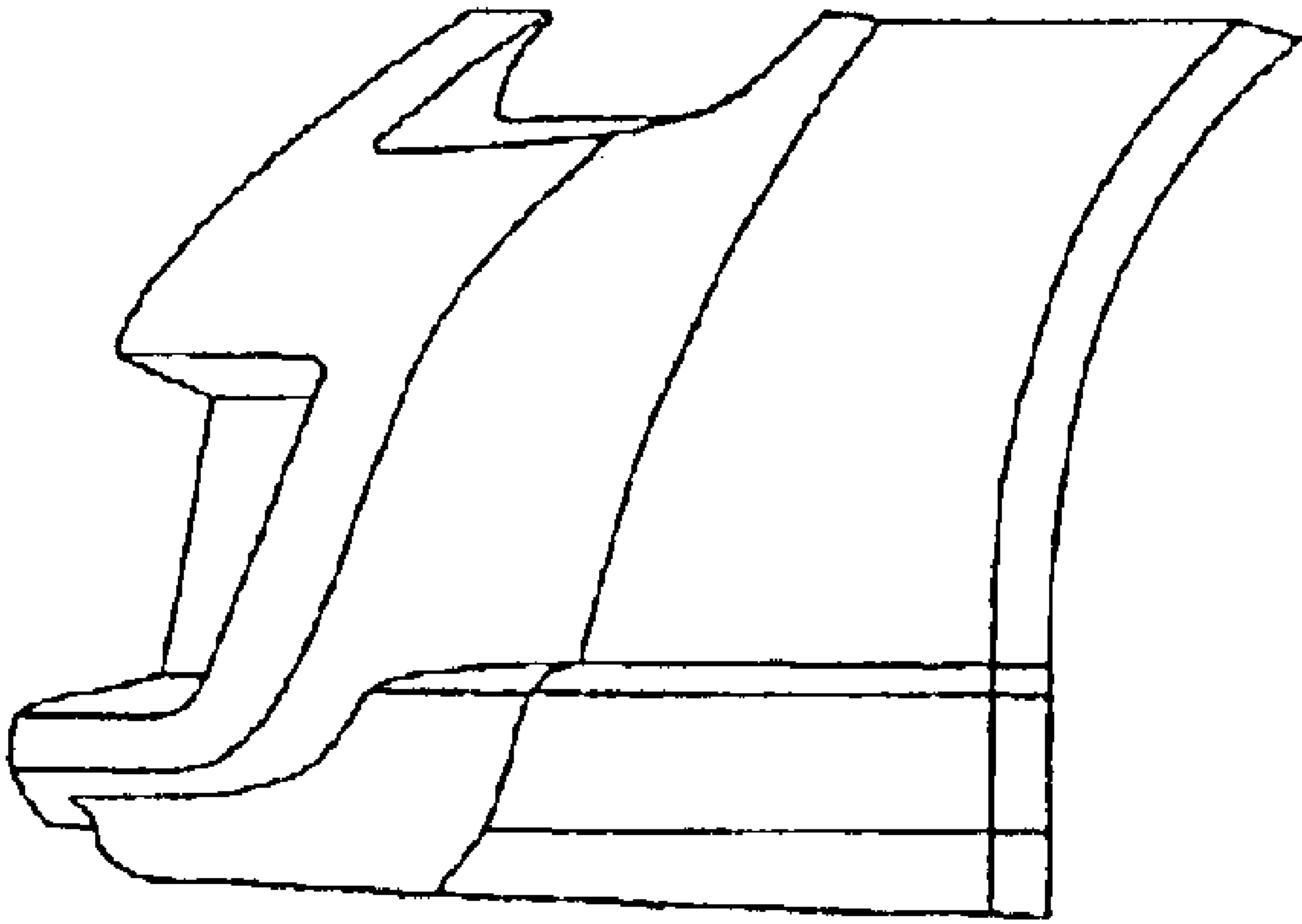


FIG. 6