



US00D491484S

(12) **United States Design Patent**  
**Tyler**

(10) **Patent No.:** **US D491,484 S**

(45) **Date of Patent:** **\*\* Jun. 15, 2004**

(54) **VOICE MESSAGE HOLIDAY ORNAMENT**

(76) Inventor: **Suzette L. Tyler**, 1724 Vassar, Lansing, MI (US) 48912

(\*\*) Term: **14 Years**

(21) Appl. No.: **29/176,556**

(22) Filed: **Feb. 26, 2003**

(51) **LOC (7) Cl.** ..... **11-05**

(52) **U.S. Cl.** ..... **D11/121**

(58) **Field of Search** ..... D11/121, 128;  
D06/300, 303; 428/11; 40/700, 717

(56) **References Cited**

**U.S. PATENT DOCUMENTS**

2,293,301	A	*	8/1942	Mitchell	.....	40/717
3,703,045	A		11/1972	Nyman		
3,857,191	A		12/1974	Sadorous		
4,309,464	A	*	1/1982	Rauch	.....	428/11
4,541,188	A		9/1985	Sadorous		
4,934,079	A		6/1990	Hoshi		
5,359,374	A		10/1994	Schwartz		
5,387,108	A		2/1995	Crowell		
5,458,930	A	*	10/1995	Brown	.....	428/11
5,490,206	A		2/1996	Stern		
D369,314	S	*	4/1996	Yang	.....	D11/121
5,504,836	A		4/1996	Loudermilk		
D373,552	S	*	9/1996	Lownsbury	.....	D11/121
5,956,682	A		9/1999	Loudermilk et al.		
D432,942	S	*	10/2000	Rodriguez	.....	D11/128
6,185,851	B1		2/2001	Loudermilk et al.		
6,263,310	B1		7/2001	Loudermilk et al.		
6,377,926	B2		4/2002	Loudermilk		

6,381,573	B1		4/2002	Loudermilk		
D462,032	S	*	8/2002	Schmauz-Grimsel	.....	D11/121
D464,288	S	*	10/2002	Wichter	.....	D11/128

**OTHER PUBLICATIONS**

The Sharper Image Catalog "Talking Photo Ornament with 15-Second Message" GC003 Instructions.

\* cited by examiner

*Primary Examiner*—Dominic Simone

(57) **CLAIM**

The ornamental design for a voice message holiday ornament, as shown.

**DESCRIPTION**

FIG. 1 is an exploded front perspective view of a voice message holiday ornament showing my new design without a picture being displayed thereby;

FIG. 2 is an assembled front perspective view thereof;

FIG. 3 is an assembled front elevational view thereof with a picture being displayed thereby;

FIG. 4 is an assembled front elevational view thereof without a picture being displayed thereby;

FIG. 5 is an assembled top elevational view thereof;

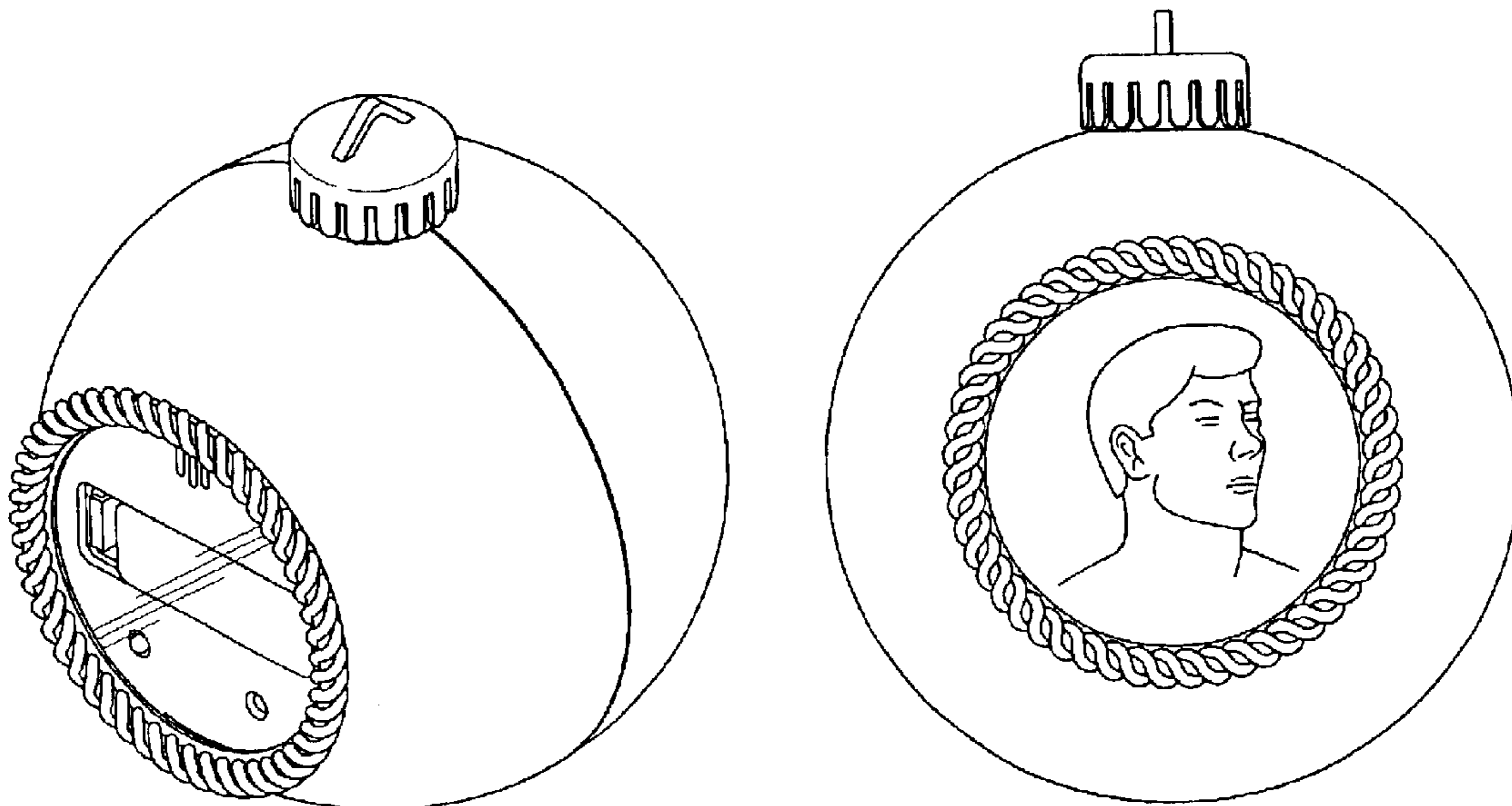
FIG. 6 is an assembled bottom elevational view thereof;

FIG. 7 is an assembled back elevational view thereof;

FIG. 8 is an assembled left side elevational view thereof; and,

FIG. 9 is an assembled right side elevational view thereof which is a mirror image of the assembled left side elevational view.

**1 Claim, 4 Drawing Sheets**



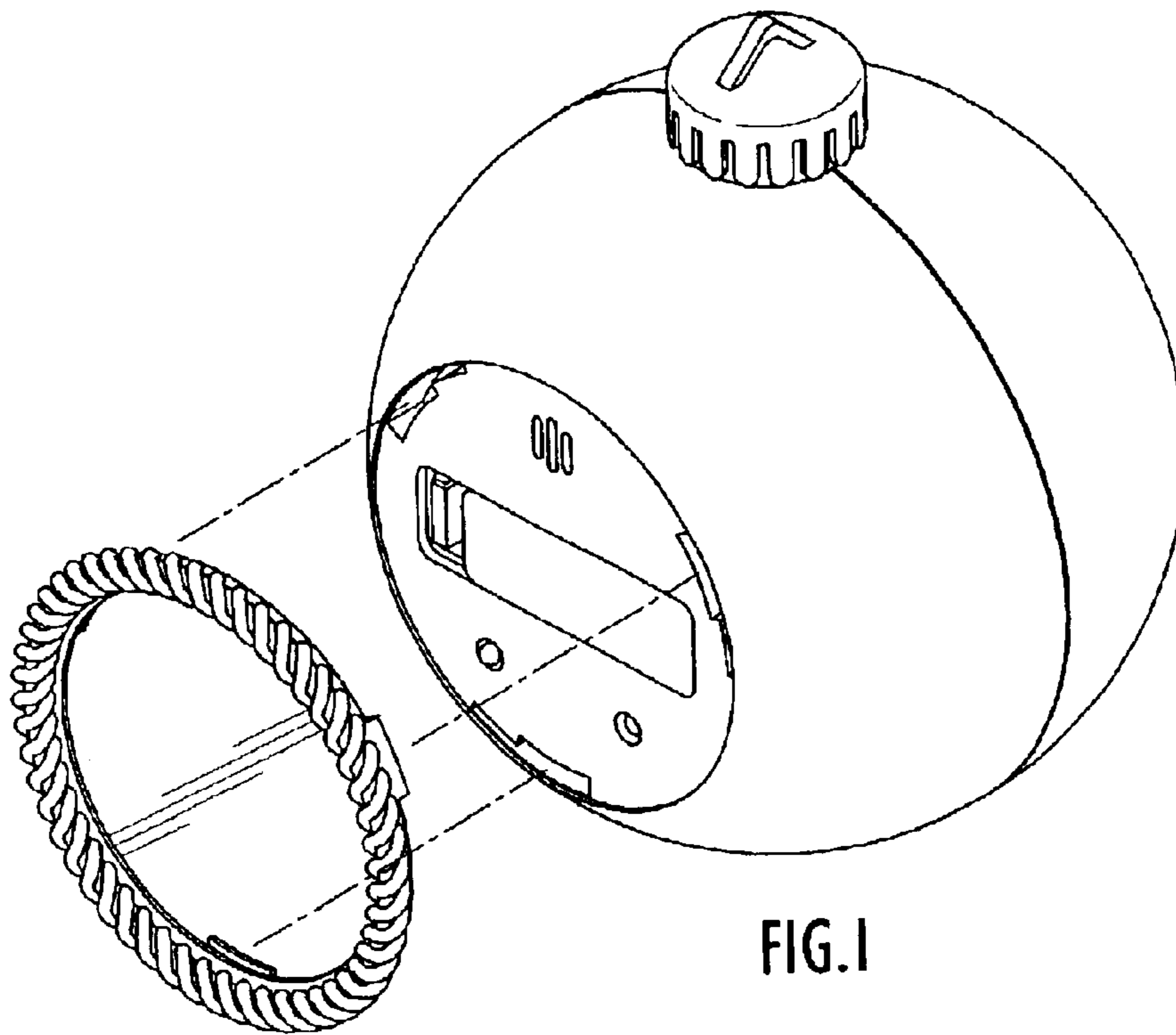


FIG. 1

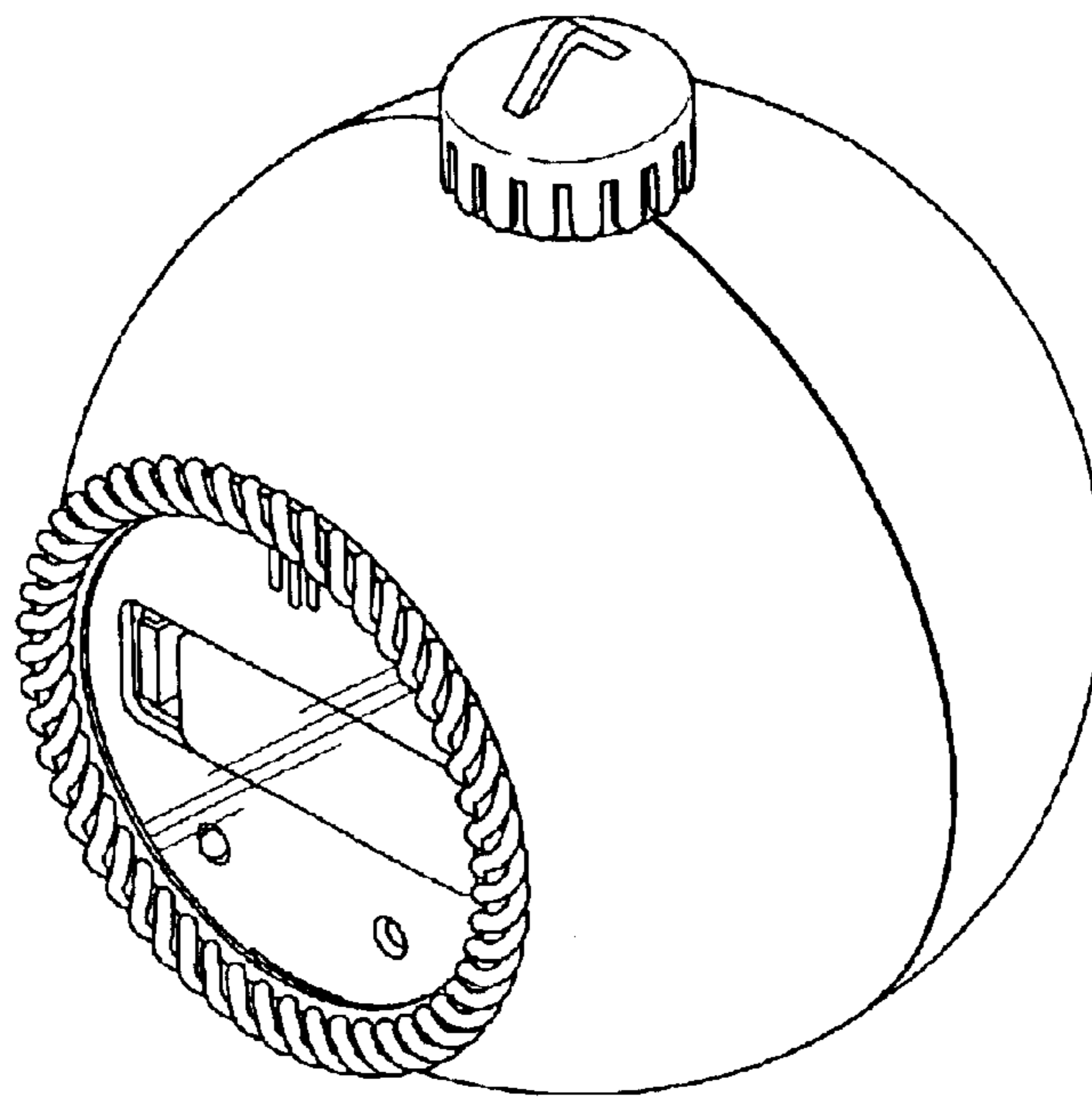


FIG. 2

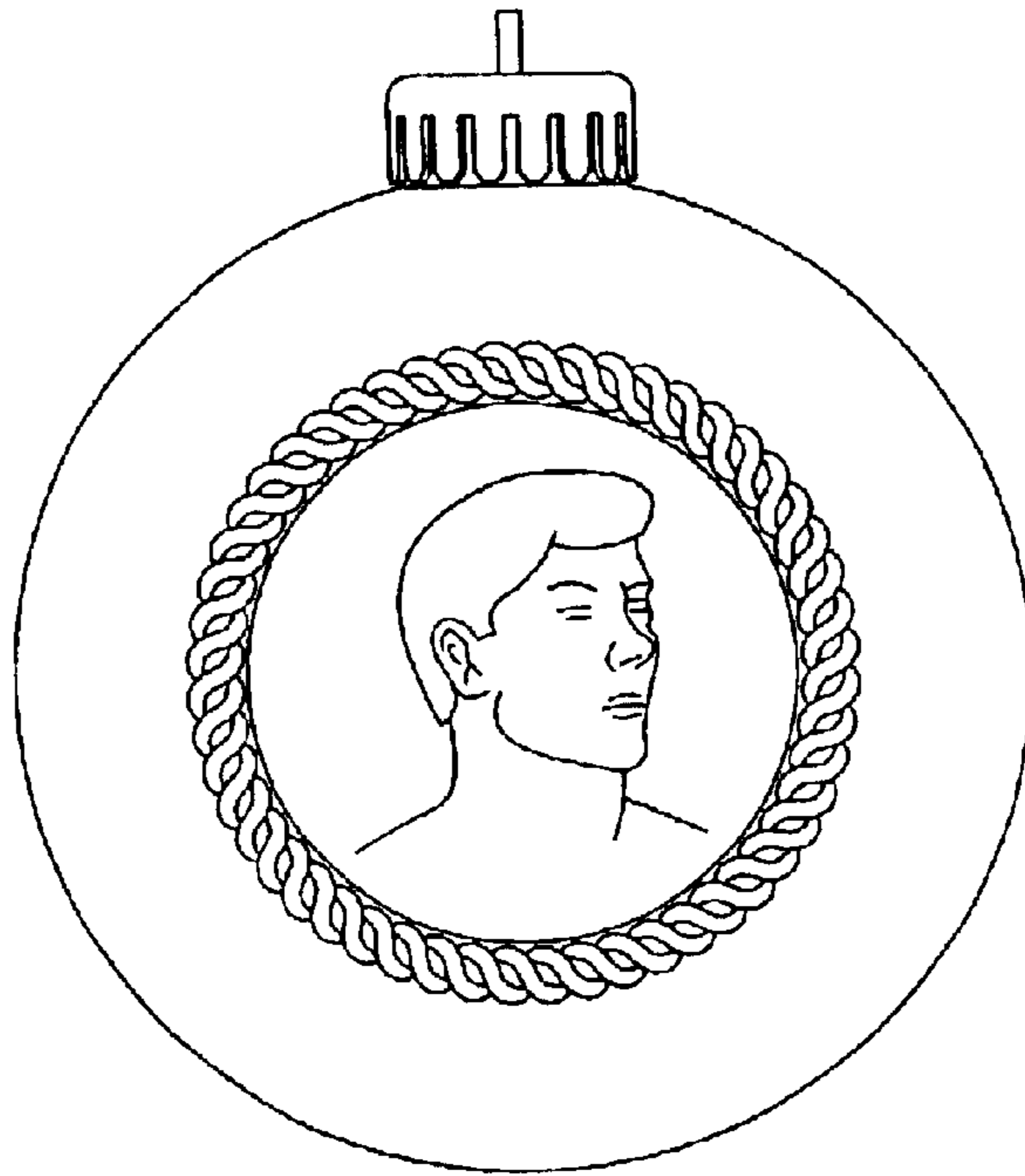


FIG.3

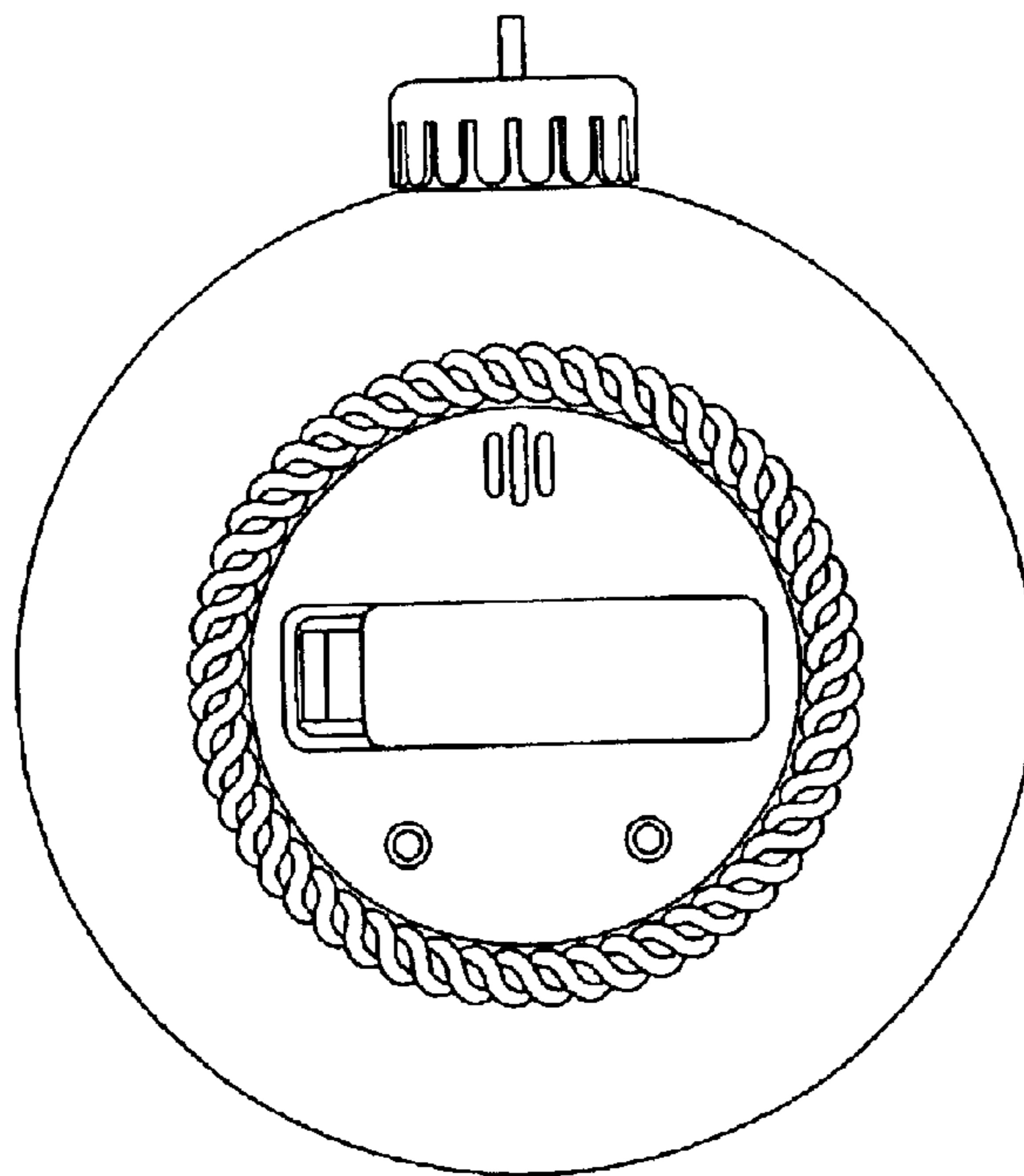


FIG.4

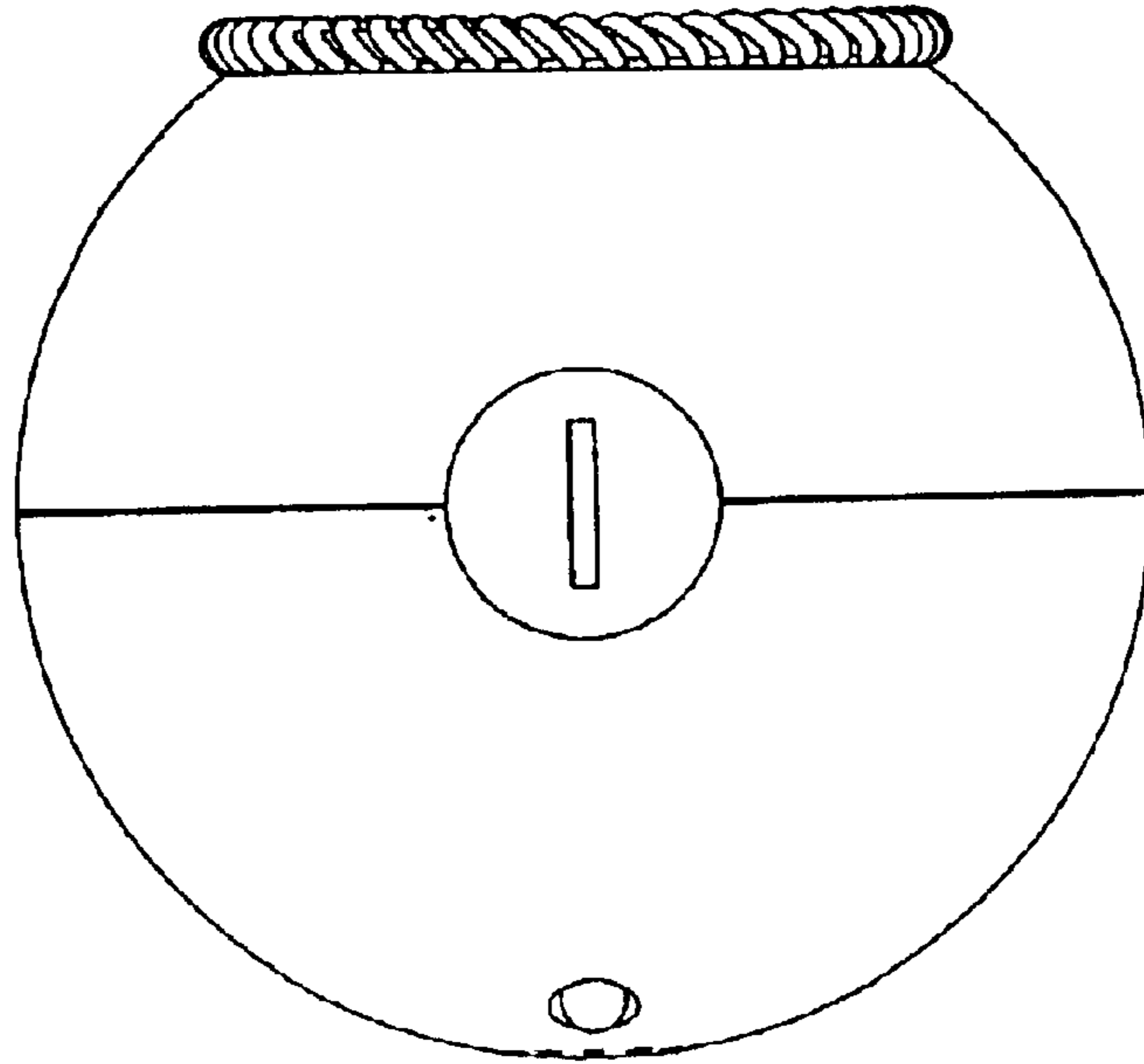


FIG.5

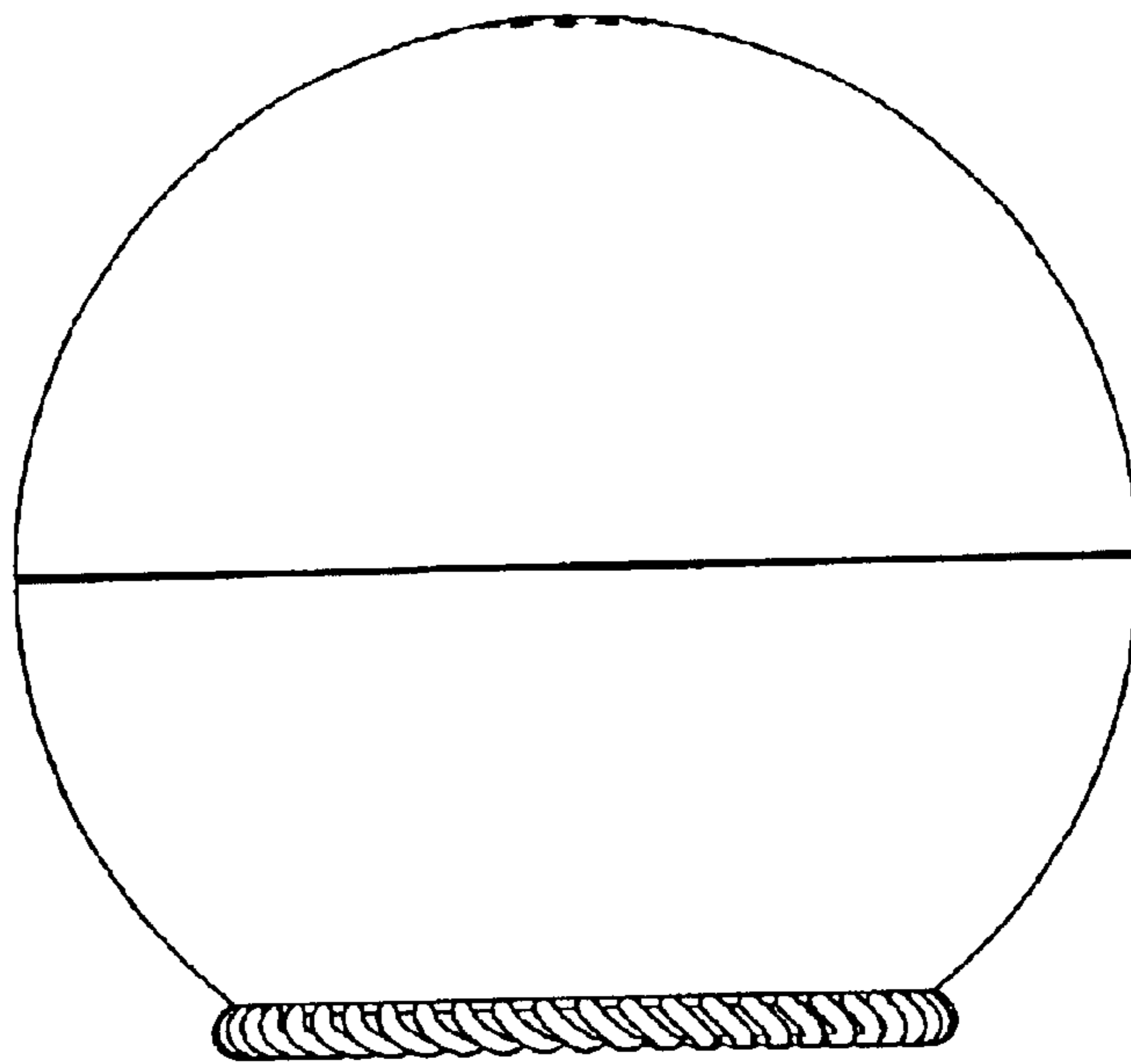


FIG.6

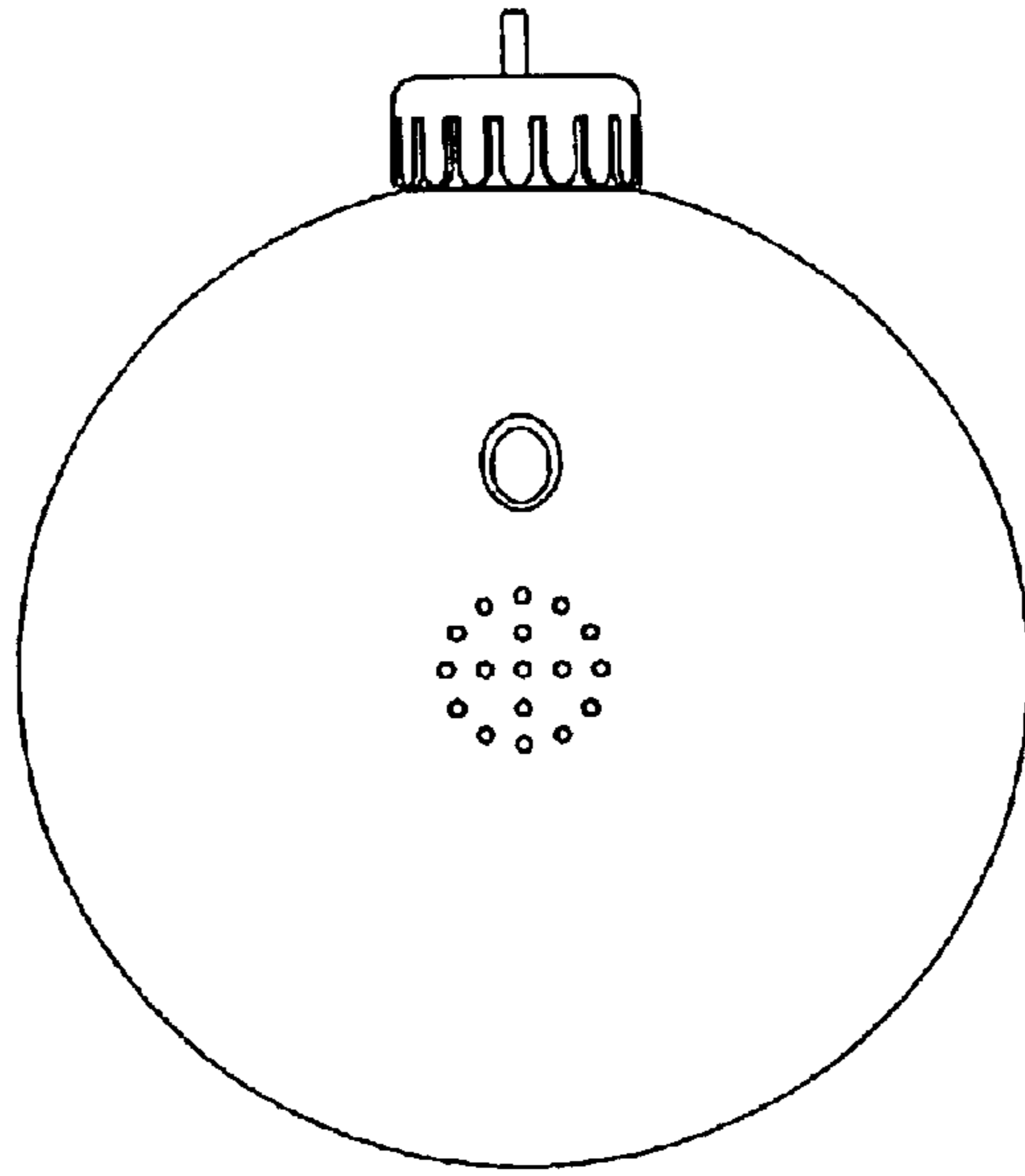


FIG. 7

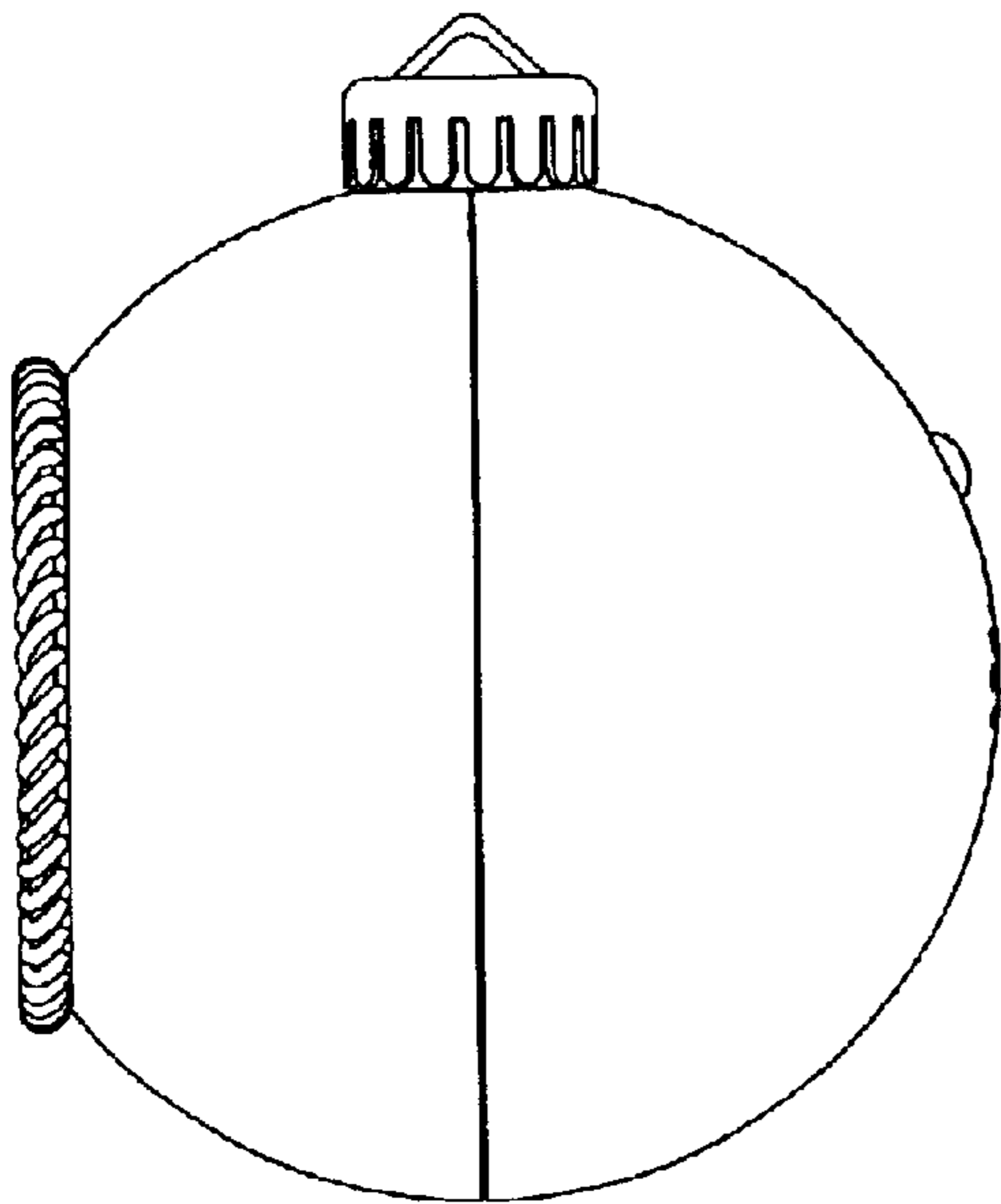


FIG. 8

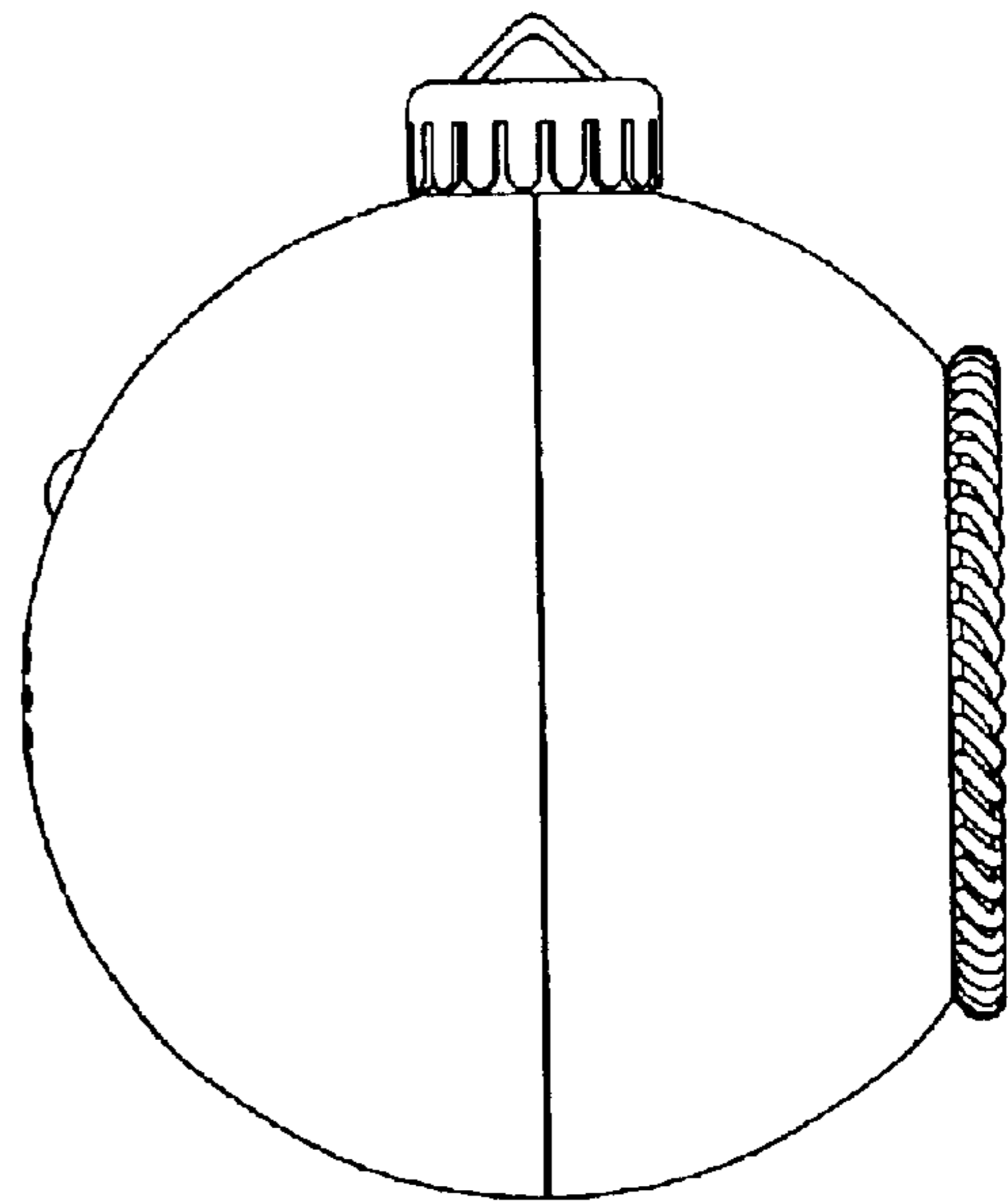


FIG. 9