



US00D491482S

(12) **United States Design Patent**
Chiang

(10) **Patent No.: US D491,482 S**

(45) **Date of Patent: ** Jun. 15, 2004**

(54) **LIGHT BAR**

D469,711 S * 2/2003 Neufeglise et al. D10/114

(76) Inventor: **Wen-Chiang Chiang**, PO Box 82-144,
Taipei (TW)

* cited by examiner

(**) Term: **14 Years**

Primary Examiner—Nelson C. Holtje
(74) *Attorney, Agent, or Firm*—Leong C. Lei

(21) Appl. No.: **29/174,491**

(57) **CLAIM**

(22) Filed: **Jan. 21, 2003**

The ornamental design for a light bar, as shown and described.

(51) **LOC (7) Cl. 10-05**

DESCRIPTION

(52) **U.S. Cl. D10/114**

(58) **Field of Search** D10/114; 362/227,
362/231, 240, 261, 542, 493

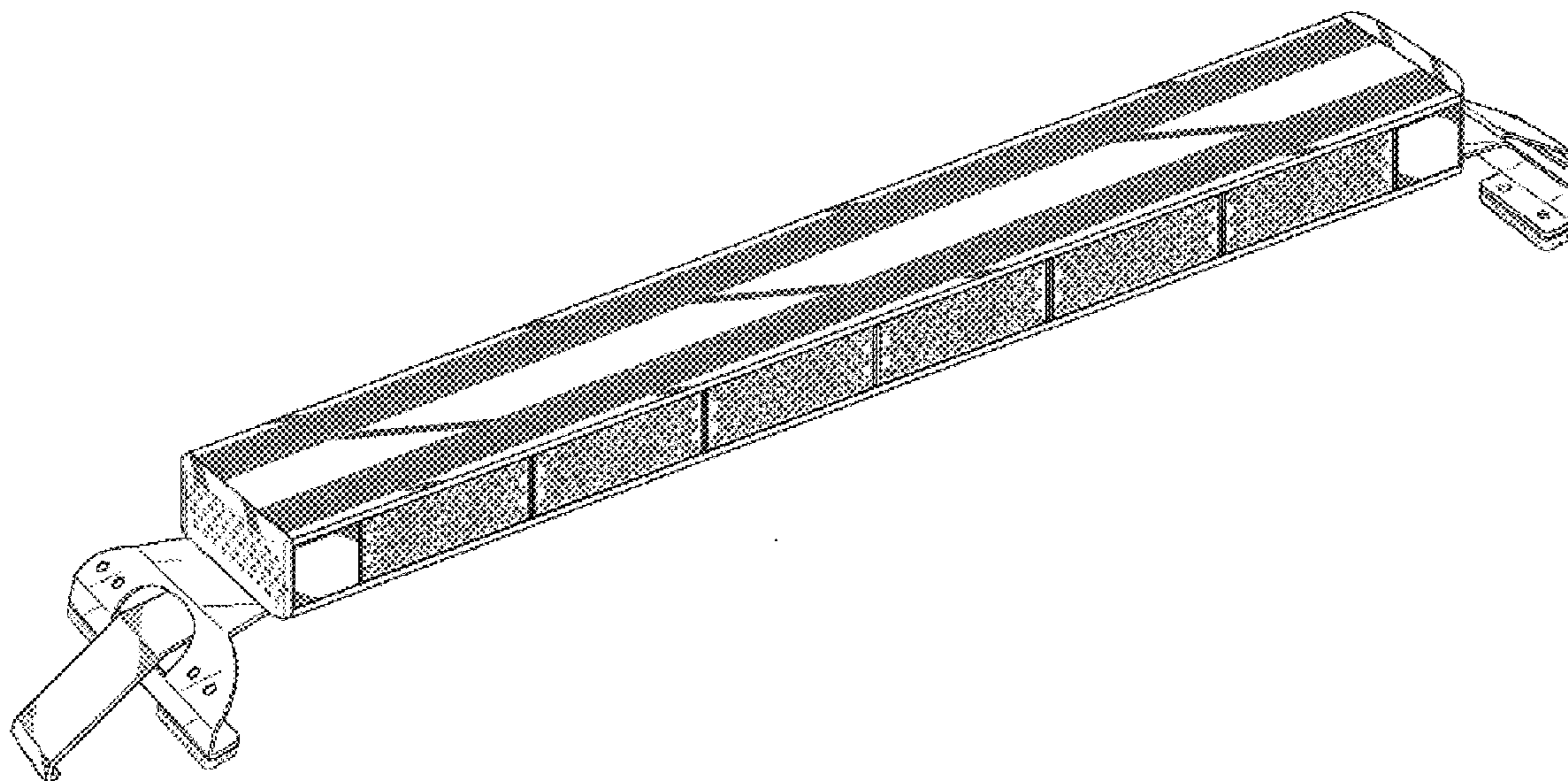
FIG. 1 is a front side elevation view thereof;
FIG. 2 is a left side elevation view thereof;
FIG. 3 is a right side elevation view thereof;
FIG. 4 is a top side elevation view thereof;
FIG. 5 is a bottom side elevation view thereof;
FIG. 6 is a rear plan view thereof; and,
FIG. 7 is perspective view of a light bar showing my new design.

(56) **References Cited**

U.S. PATENT DOCUMENTS

4,620,268	A	*	10/1986	Ferenc	362/74
4,754,375	A	*	6/1988	Ferenc	362/74
5,072,260	A	*	12/1991	Kimura	399/188
5,452,188	A	*	9/1995	Green et al.	362/227
D410,402	S	*	6/1999	Stein et al.	D10/114

1 Claim, 3 Drawing Sheets



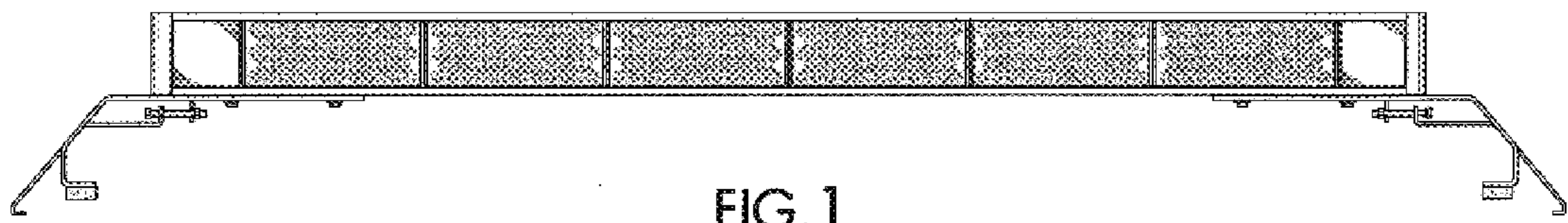


FIG. 1

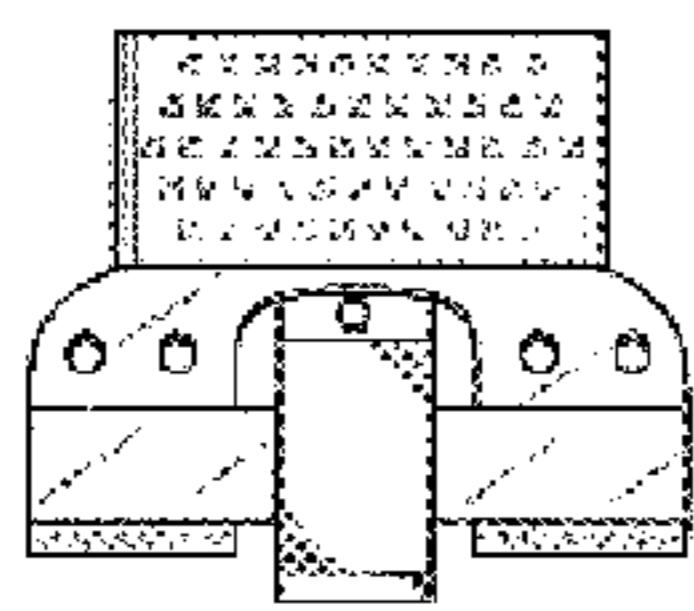


FIG. 2

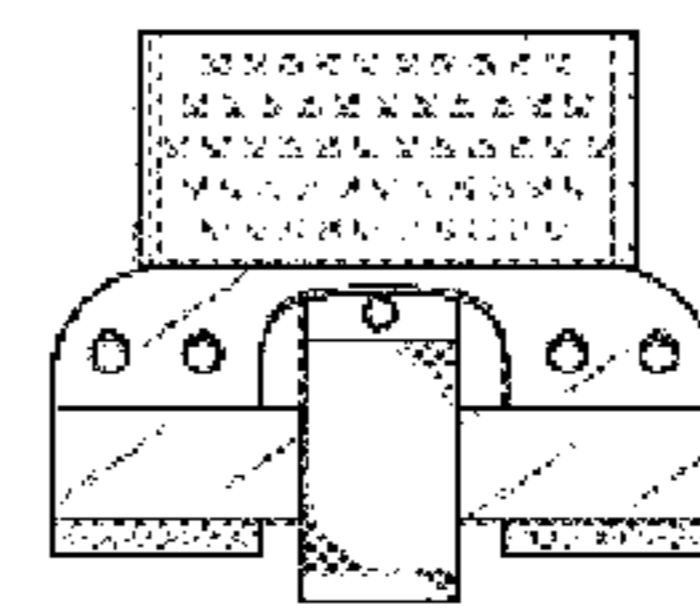


FIG. 3

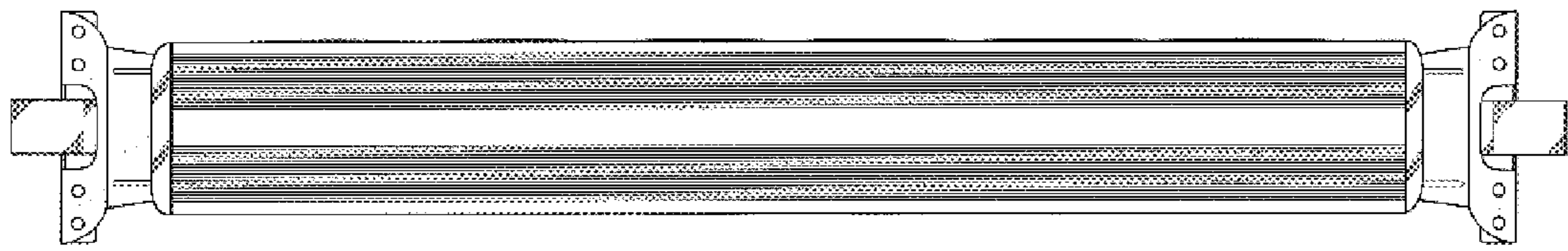


FIG. 4

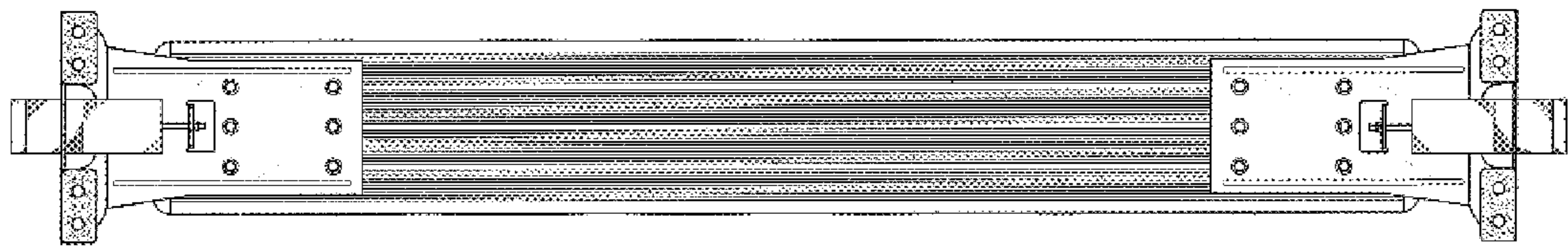


FIG. 5

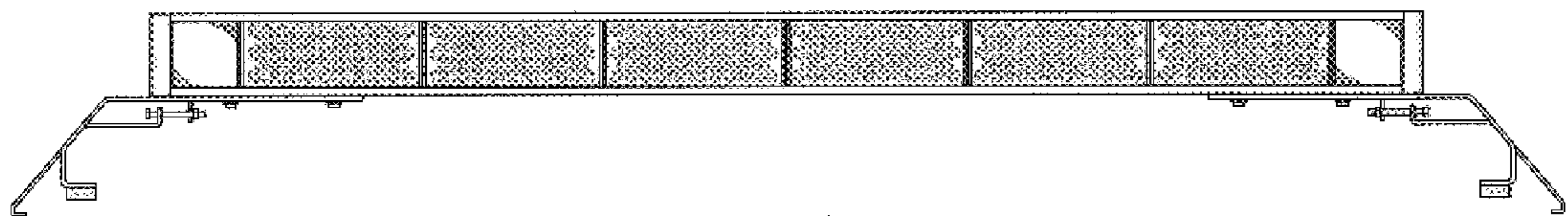


FIG. 6

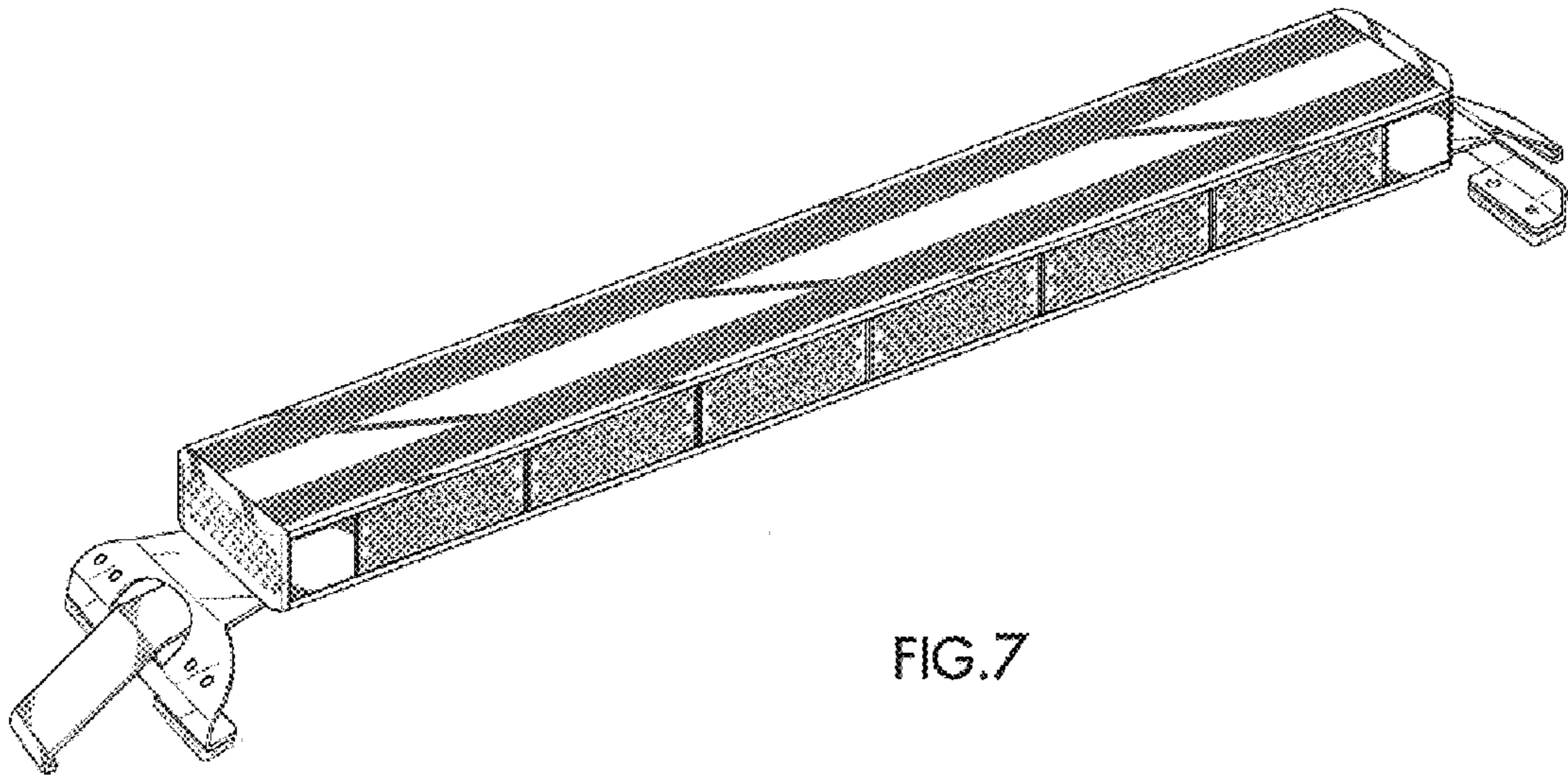


FIG.7