



US00D491481S

(12) **United States Design Patent**
Aiston et al.

(10) **Patent No.: US D491,481 S**
(45) **Date of Patent: ** Jun. 15, 2004**

(54) **RADIO RECEIVER HOUSING FOR A
HIDDEN FENCE DOG CONTAINMENT
SYSTEM**

(75) Inventors: **Christopher Aiston, Nashua, NH (US);
Kevin Webber, Deerfield, NH (US)**

(73) Assignee: **Dogwatch Inc., Natick, MA (US)**

(**) Term: **14 Years**

(21) Appl. No.: **29/188,193**

(22) Filed: **Aug. 14, 2003**

(51) **LOC (7) Cl. 10-05**

(52) **U.S. Cl. D10/104**

(58) **Field of Search D10/104, 106;
340/573.1, 573.3, 573.4; 119/719-721;
D14/240, 358, 137, 155**

(56) **References Cited**

U.S. PATENT DOCUMENTS

D330,173 S	*	10/1992	Juliana et al.	D10/106
D330,522 S	*	10/1992	Mokhtarian	D10/104
5,161,485 A	*	11/1992	McDade	119/859
D336,055 S	*	6/1993	Juliana et al.	D10/106
D376,553 S	*	12/1996	Heun	D10/104
5,640,932 A	*	6/1997	Bianco et al.	119/720
D380,692 S	*	7/1997	Heun	D10/104
D400,458 S	*	11/1998	Titus et al.	D10/104
D410,206 S	*	5/1999	Slater	D10/104
D418,074 S	*	12/1999	Hicks et al.	D10/104
D424,466 S	*	5/2000	Morrow et al.	D10/106
6,079,367 A	*	6/2000	Stapelfeld et al.	119/720
D440,509 S	*	4/2001	Greene	D10/104
D445,352 S	*	7/2001	So	D10/104
D460,442 S	*	7/2002	Fetherolf	D14/240
D464,031 S	*	10/2002	Gillingham	D13/184

6,474,269 B2	*	11/2002	So	119/720
D469,029 S	*	1/2003	So	D10/104
D473,481 S	*	4/2003	So	D10/104
6,561,137 B2	*	5/2003	Oakman	119/721
D478,830 S	*	8/2003	So	D10/104
D478,831 S	*	8/2003	So	D10/104
D482,630 S	*	11/2003	So	D10/104
D482,979 S	*	12/2003	So	D10/104
2002/0073933 A1	*	6/2002	Oakman	119/721
2003/0116101 A1	*	6/2003	Kim et al.	119/720

* cited by examiner

Primary Examiner—Jeffrey Asch

(74) *Attorney, Agent, or Firm*—Weingarten, Schurgin,
Gagnebin & Levovici LLP

(57) **CLAIM**

The ornamental design for a radio receiver housing for a hidden fence dog containment system, as shown.

DESCRIPTION

FIG. 1 is a pictorial view of the radio receiver housing for a hidden fence dog containment system according to the invention;

FIG. 2 is a front elevation view of the radio receiver housing for a hidden fence dog containment system;

FIG. 3 is a rear elevation view of the radio receiver housing for a hidden fence dog containment system;

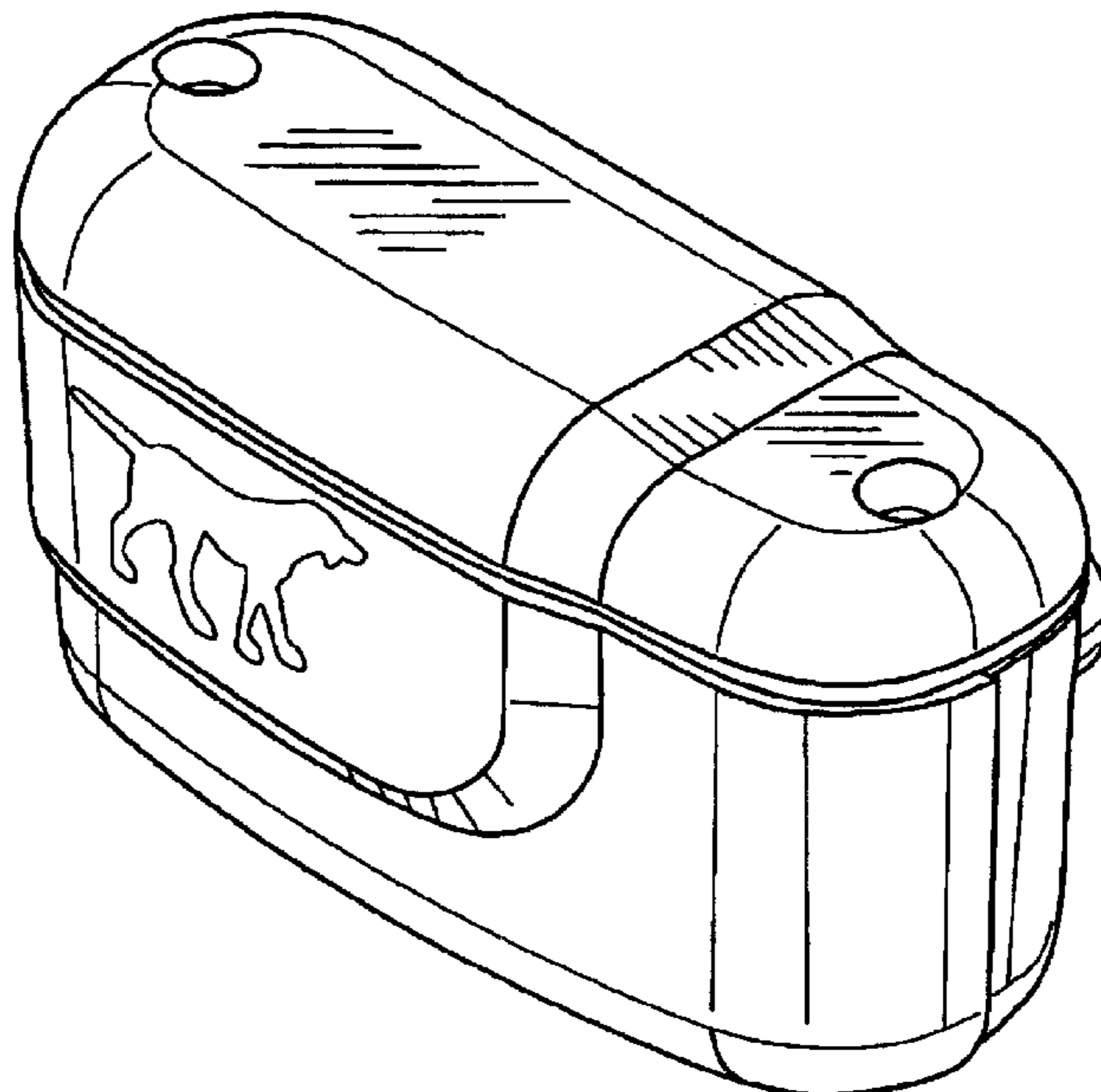
FIG. 4 is a left side elevation view of the radio receiver housing for a hidden fence dog containment system;

FIG. 5 is a right side elevation view of the radio receiver housing for a hidden fence dog containment system;

FIG. 6 is a top view of the radio receiver housing for a hidden fence dog containment system; and,

FIG. 7 is a bottom view of the radio receiver housing for a hidden fence dog containment system.

1 Claim, 3 Drawing Sheets



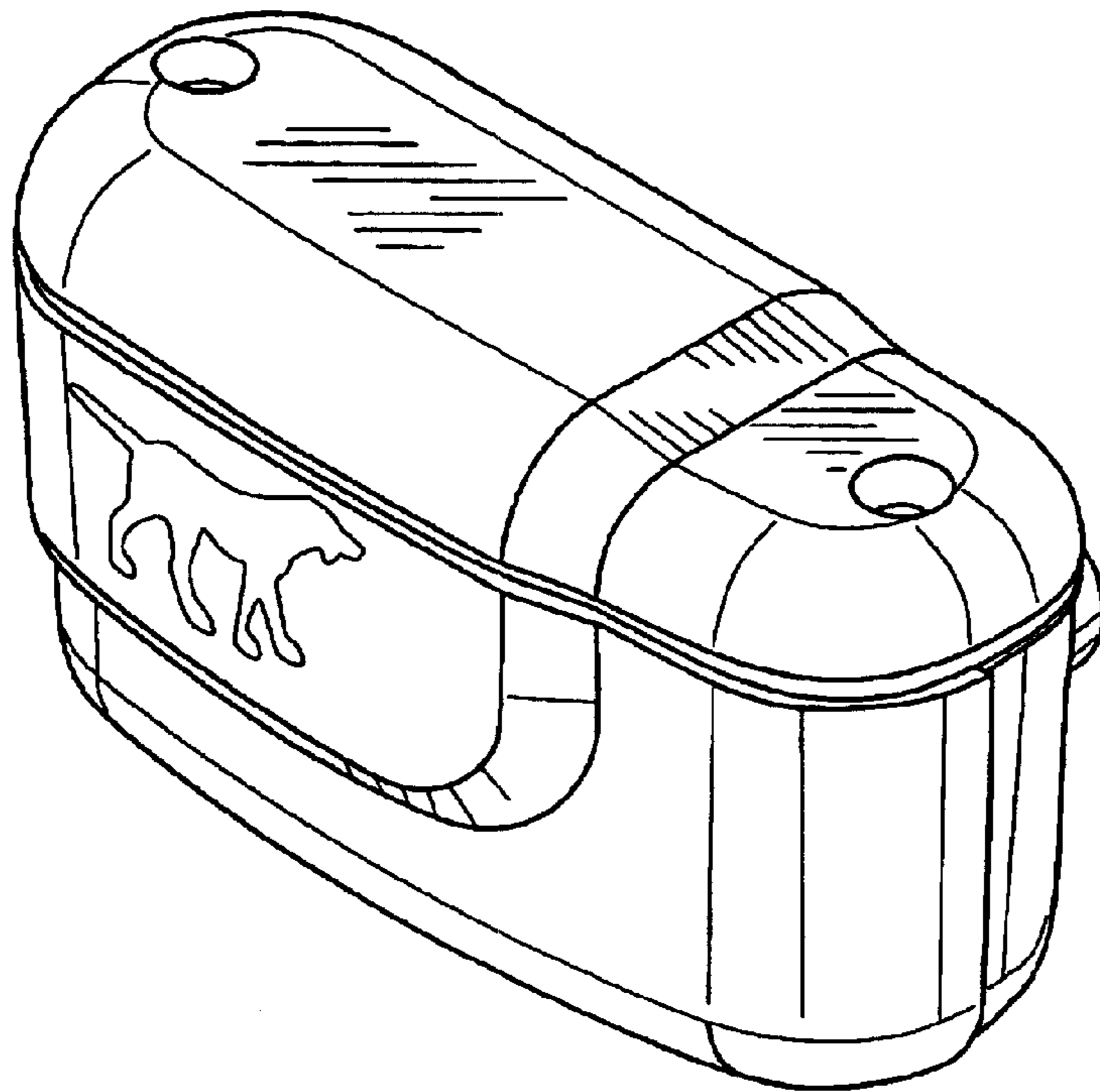


FIG. 1

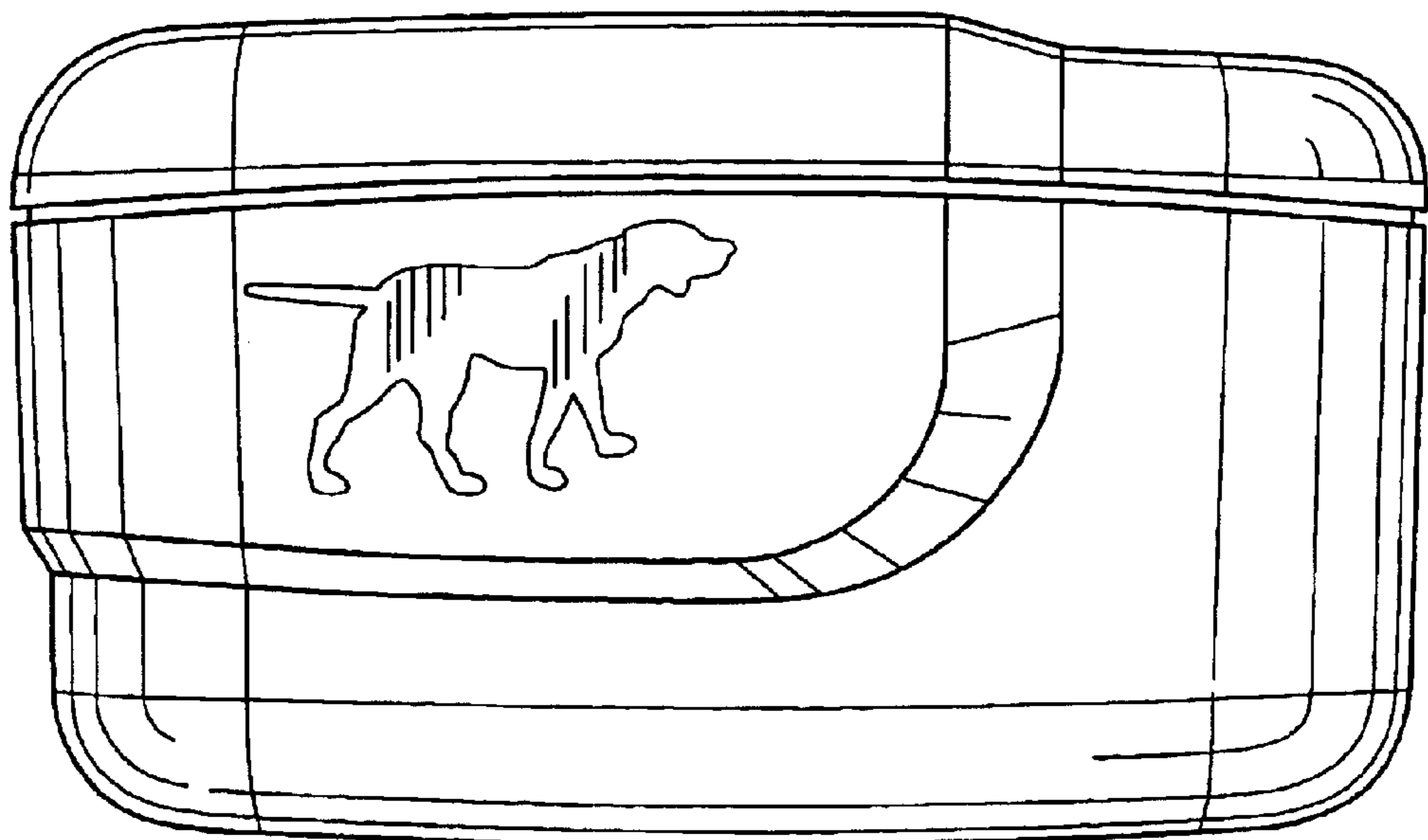


FIG 2

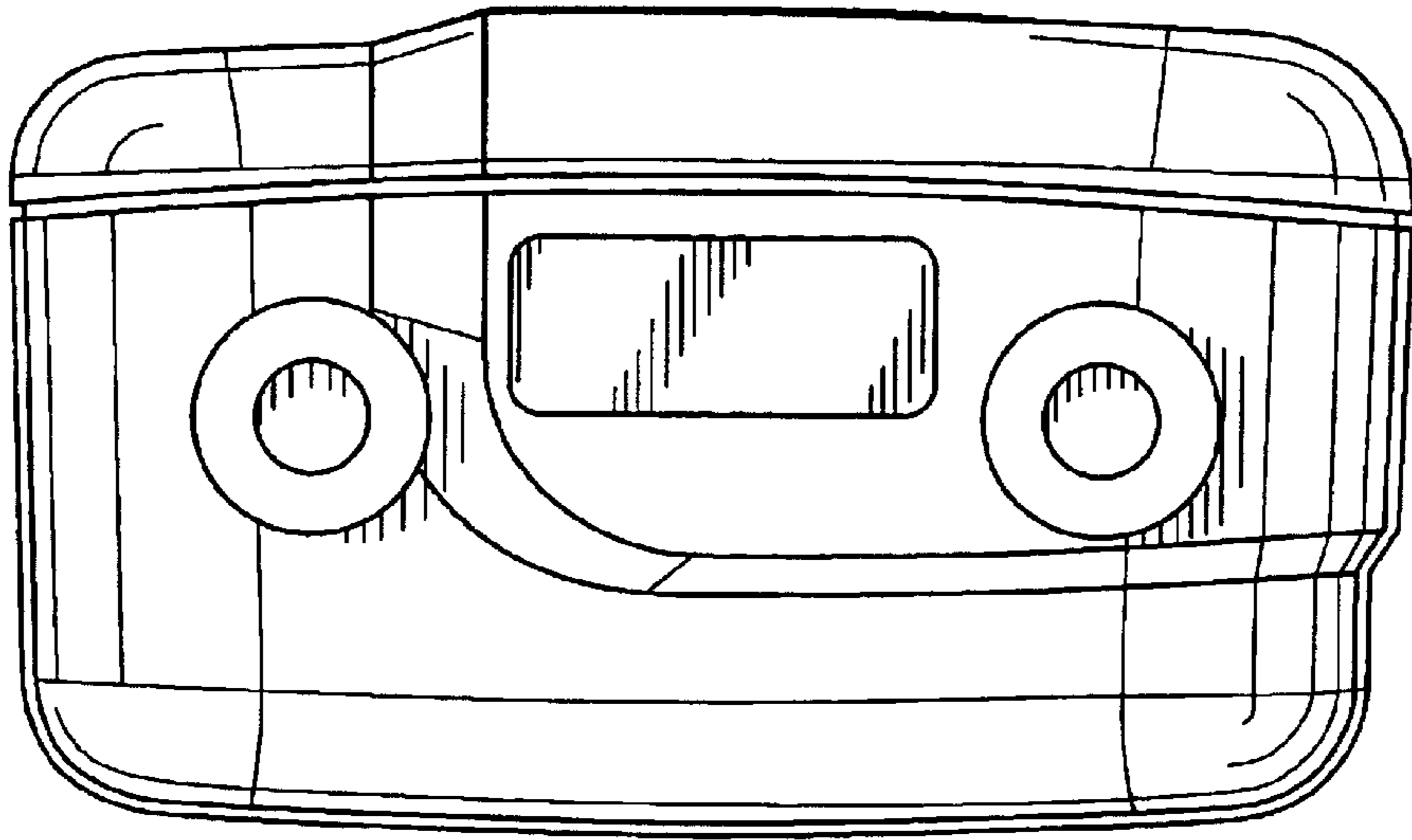


FIG. 3

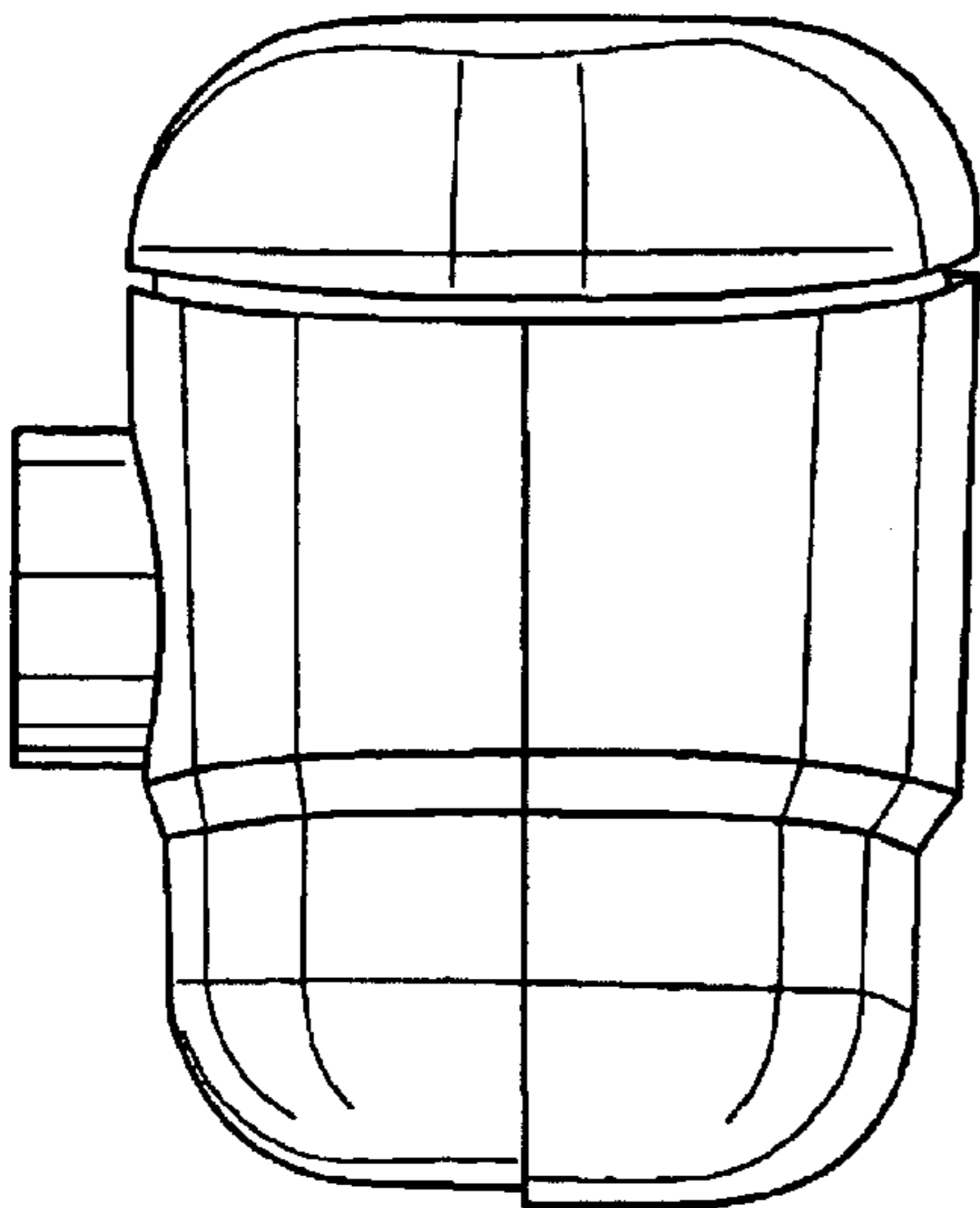


FIG 4

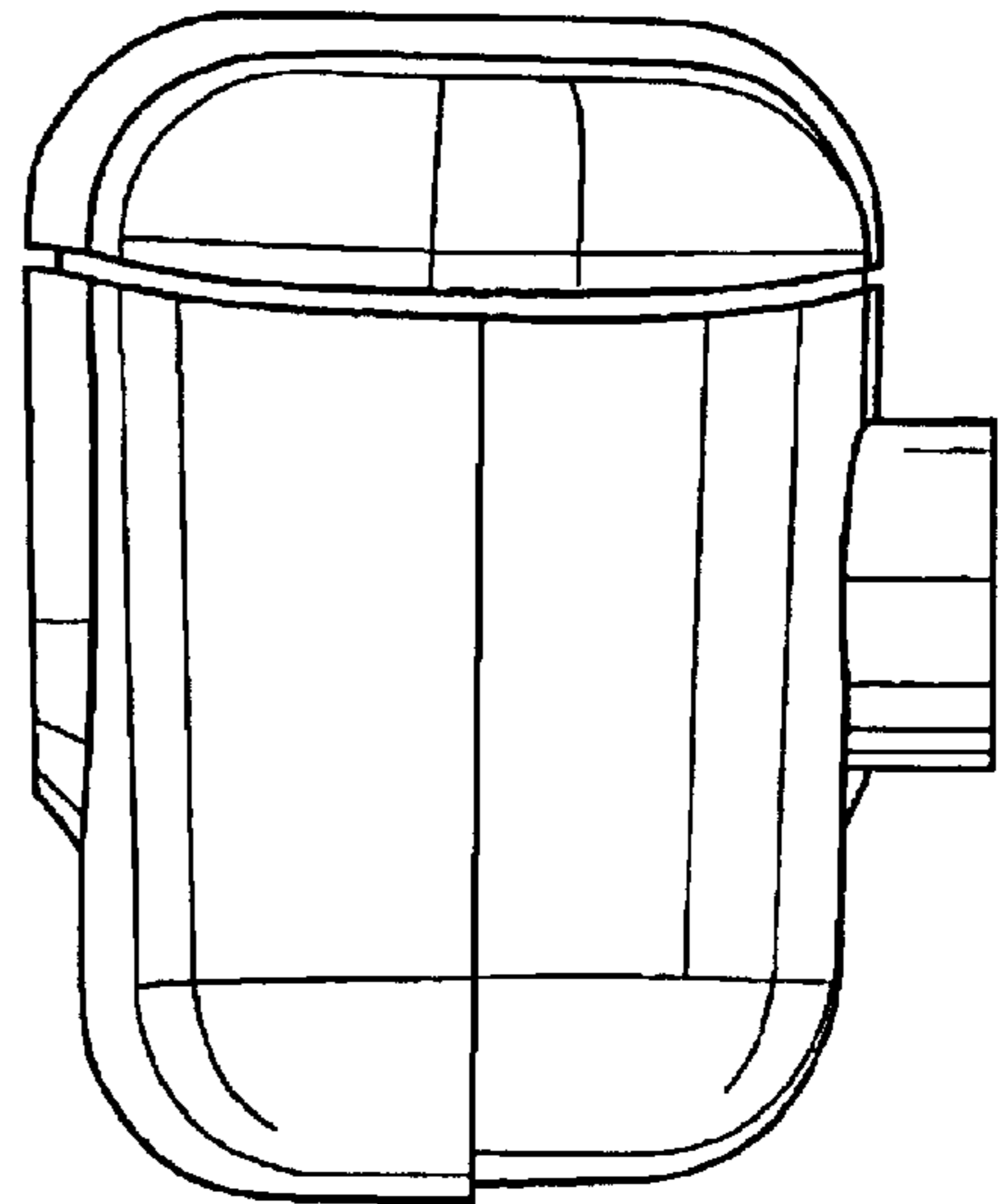


FIG. 5

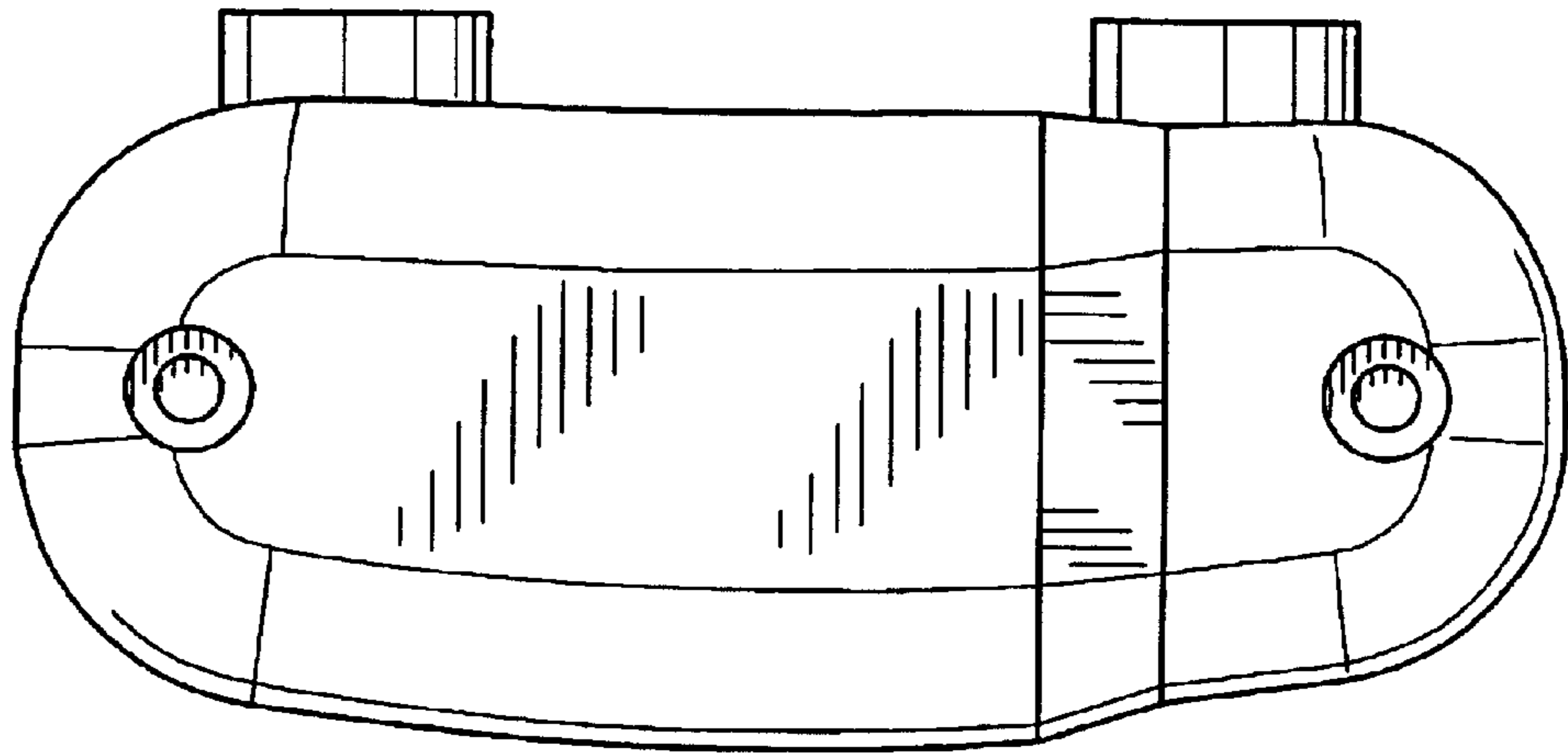


FIG. 6

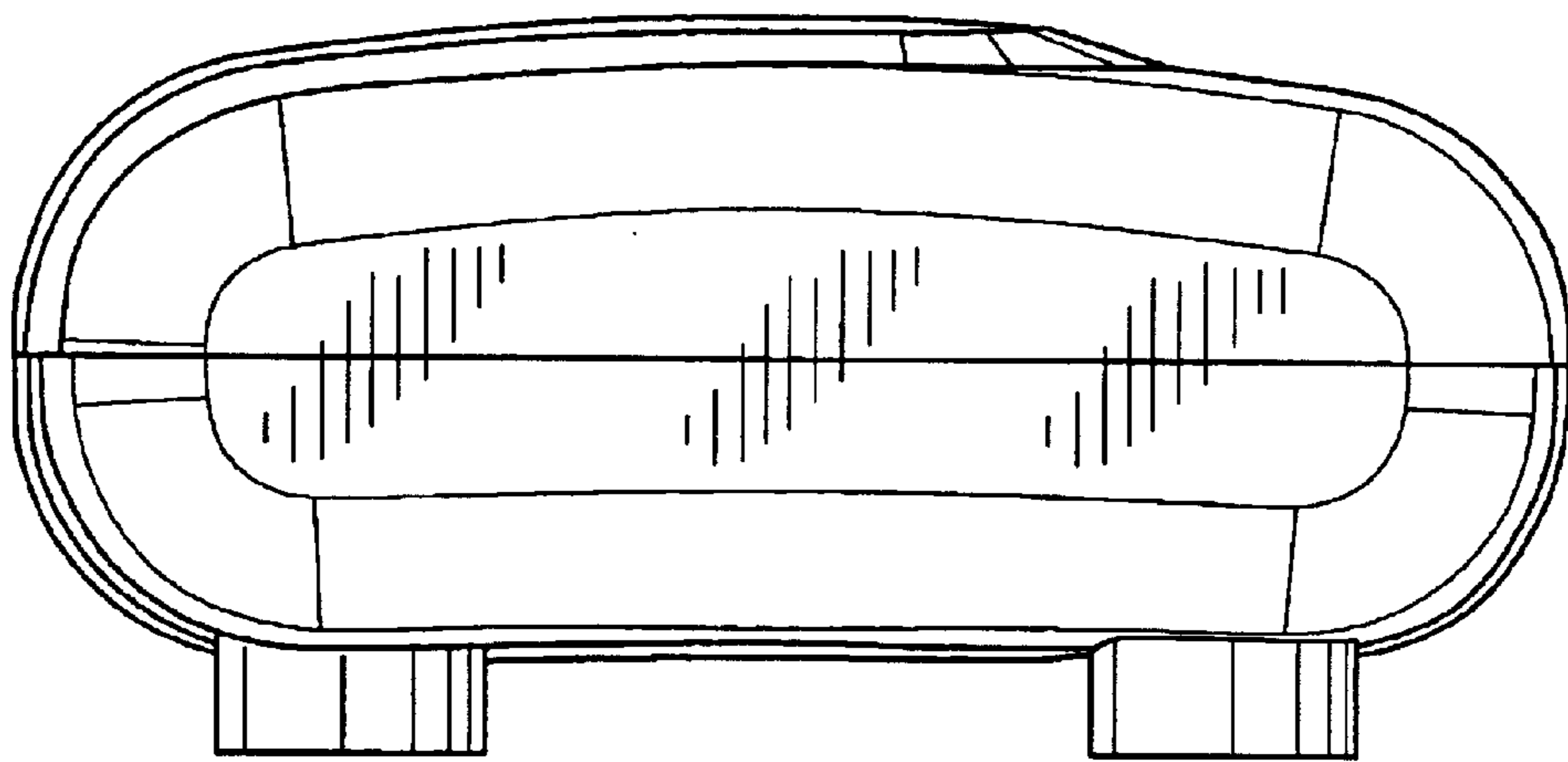


FIG 7