



US00D491477S

(12) **United States Design Patent**  
**Marshall et al.**

(10) **Patent No.:** **US D491,477 S**

(45) **Date of Patent:** **\*\* Jun. 15, 2004**

(54) **OPTICAL INSTRUMENT**

6,577,388 B2 \* 6/2003 Kallabis ..... 356/139.1

(75) Inventors: **James D. Marshall**, Mallorytown (CA);  
**Oleksiy P. Sergyeyenko**, Brockville  
(CA); **Michael E. Waldron, Co.**  
Durham (GB)

\* cited by examiner

*Primary Examiner*—Antoine D. Davis  
(74) *Attorney, Agent, or Firm*—Adan Ayala

(73) Assignee: **Black & Decker Inc.**, Newark, DE  
(US)

(57) **CLAIM**

The ornamental design for an optical instrument, as shown  
and described.

(\*\*) Term: **14 Years**

**DESCRIPTION**

(21) Appl. No.: **29/180,539**

FIG. 1 is a front perspective view of an optical instrument  
according to the invention.

(22) Filed: **Apr. 25, 2003**

FIG. 2 is a left side elevational view of the instrument.

(51) **LOC (7) Cl.** ..... **10-04**

FIG. 3 is a right side elevational view of the instrument.

(52) **U.S. Cl.** ..... **D10/69**

FIG. 4 is a rear elevational view of the instrument.

(58) **Field of Search** ..... D10/69; 33/291,  
33/295, DIG. 21, 138, 286; 356/249, 250,  
139.1; 372/9-30

FIG. 5 is a front elevational view of the instrument.

FIG. 6 is a top plan view of the instrument; and,

FIG. 7 is a bottom plan view of the instrument.

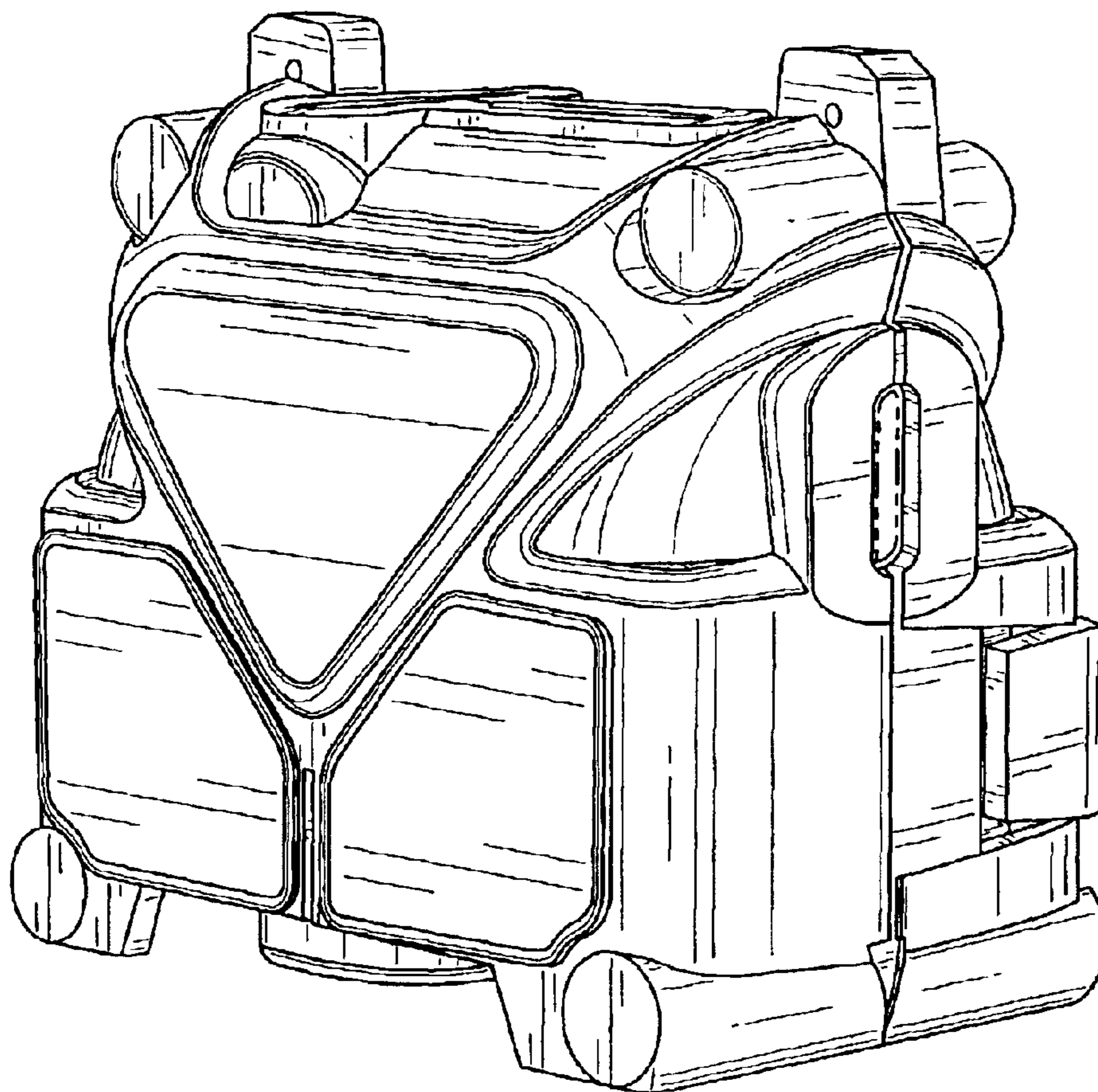
In the above drawings, any portions shown in broken lines  
do not form a part of the invention.

(56) **References Cited**

**U.S. PATENT DOCUMENTS**

D475,938 S \* 6/2003 Lopano ..... D10/69

**1 Claim, 7 Drawing Sheets**



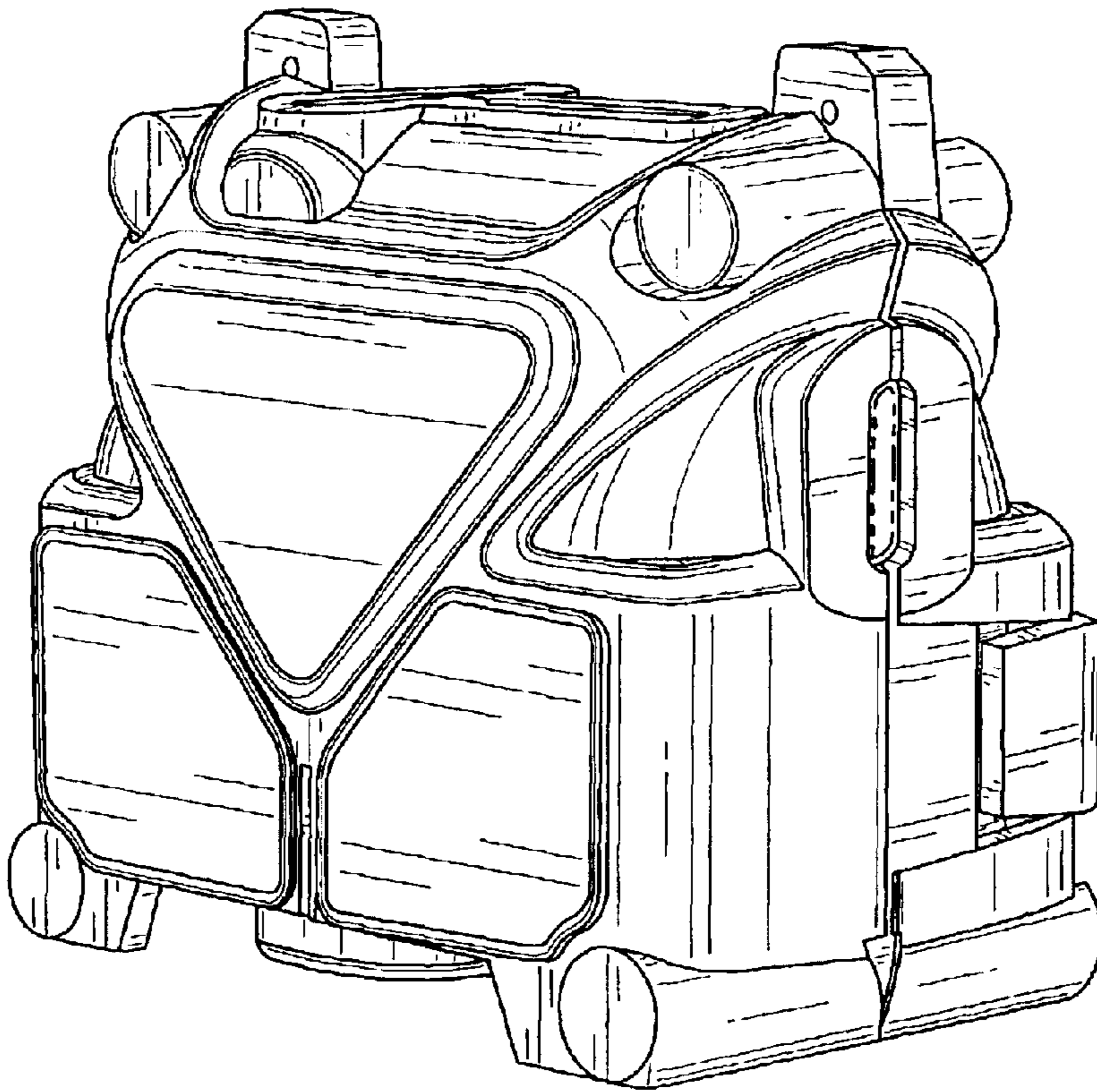


FIG. 1

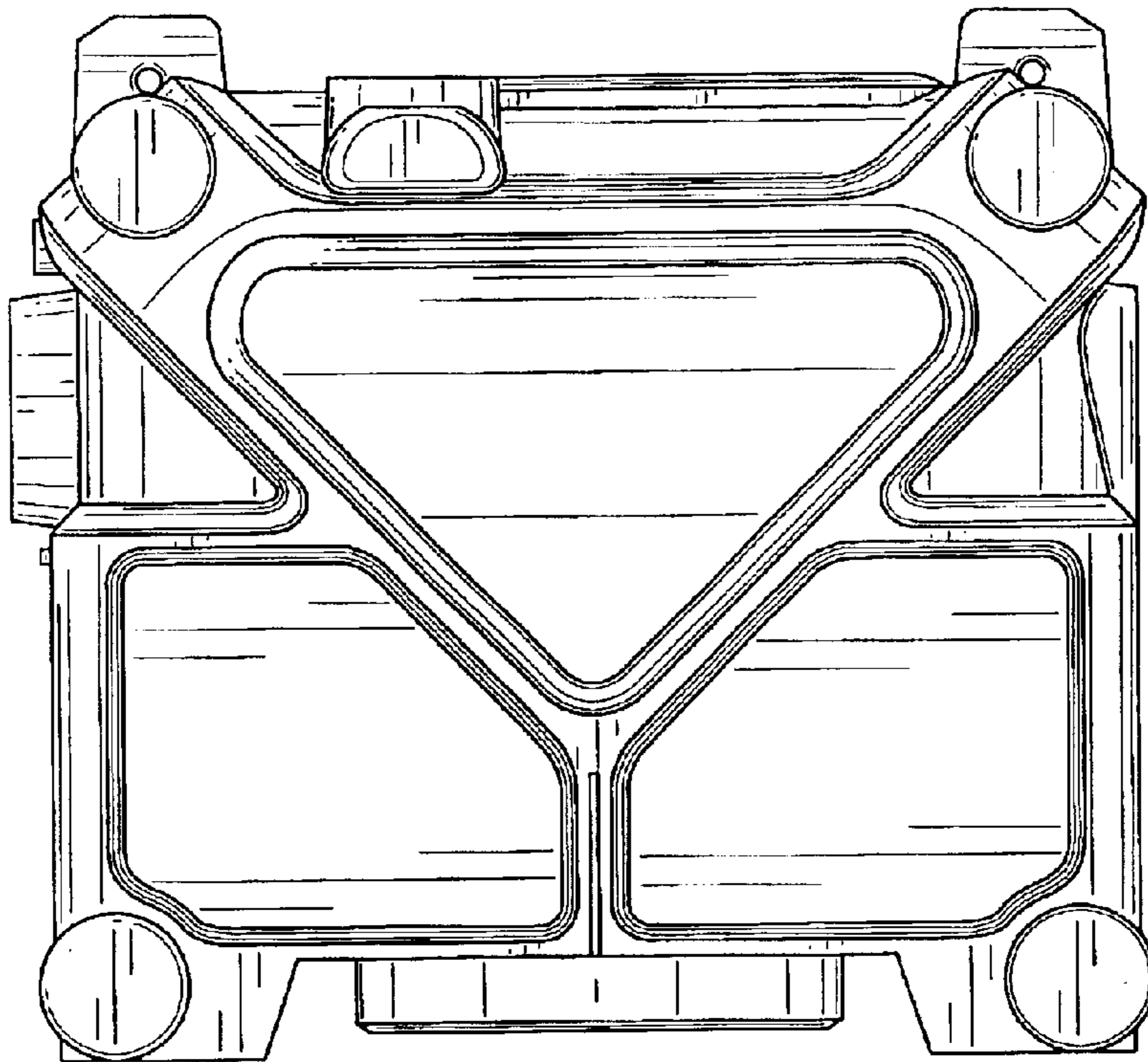


FIG. 2

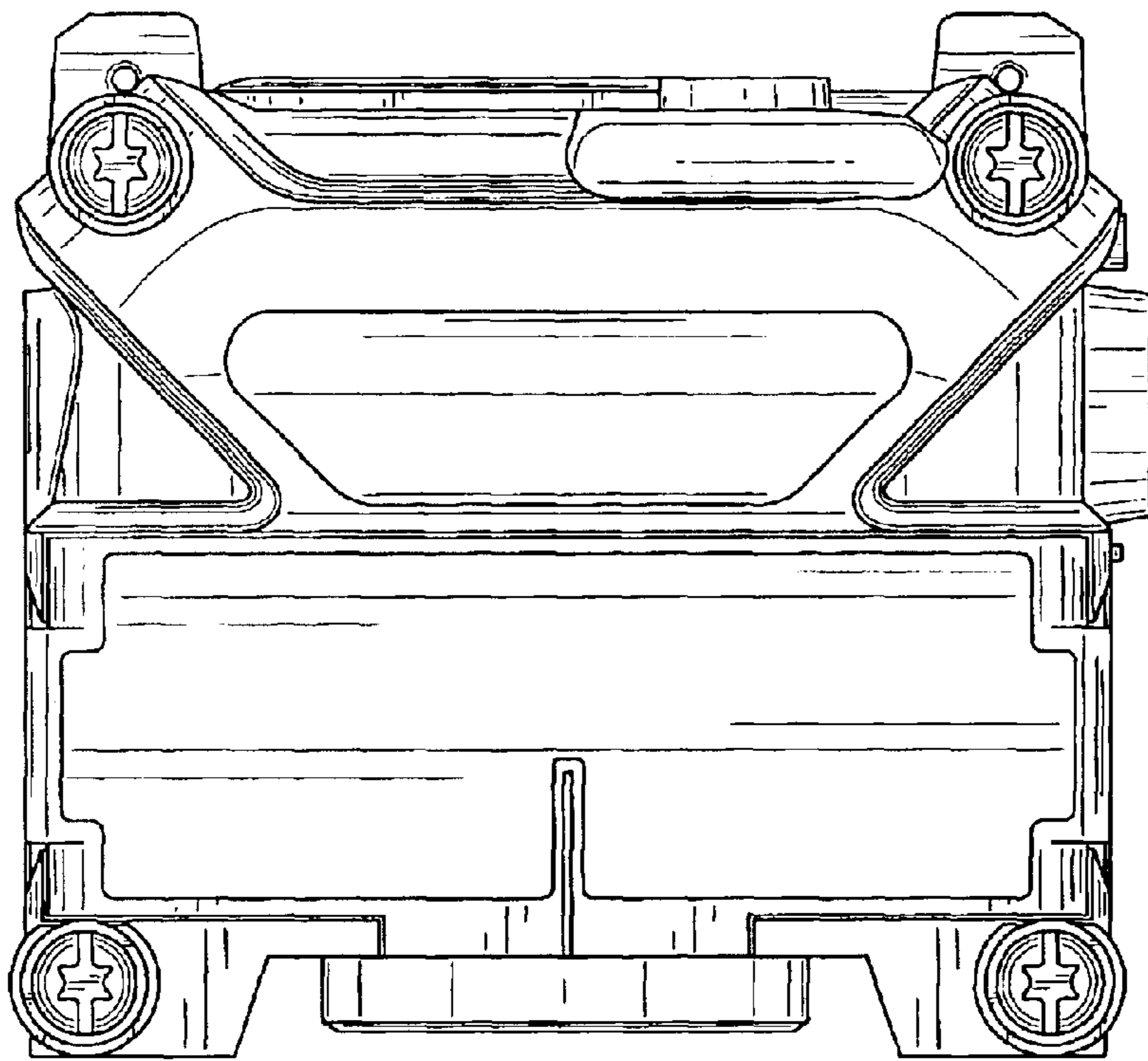


FIG. 3

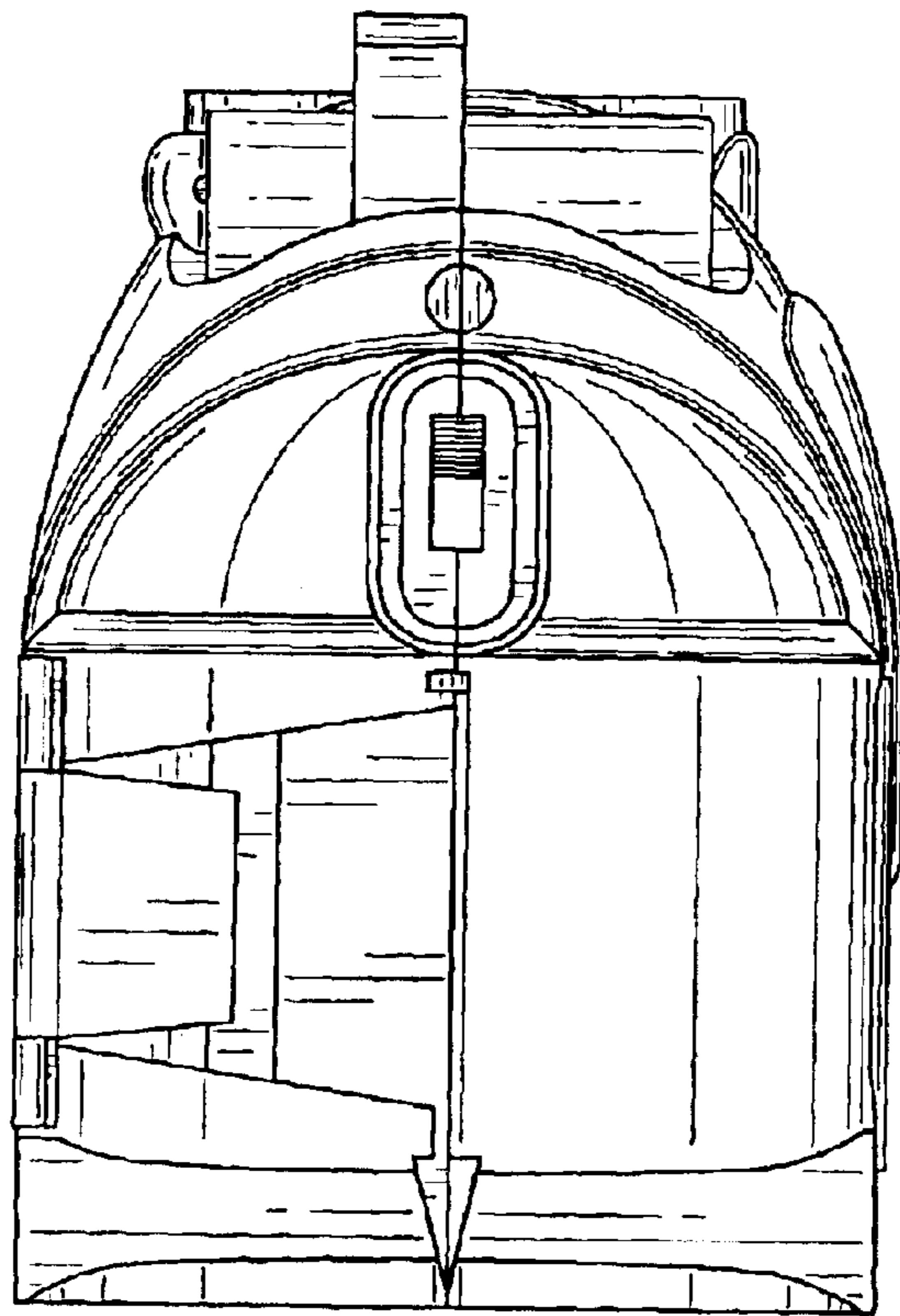


FIG. 4

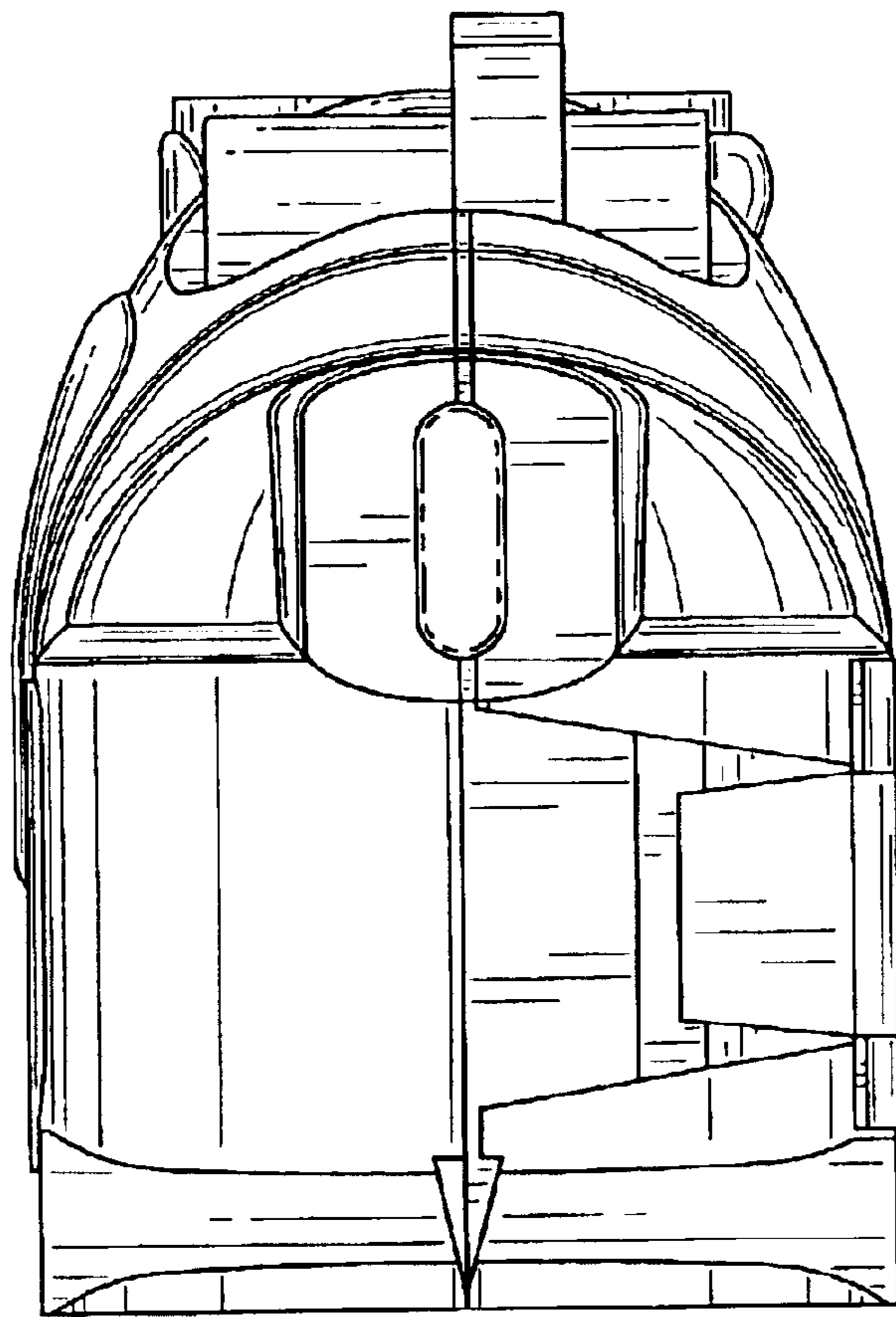


FIG. 5

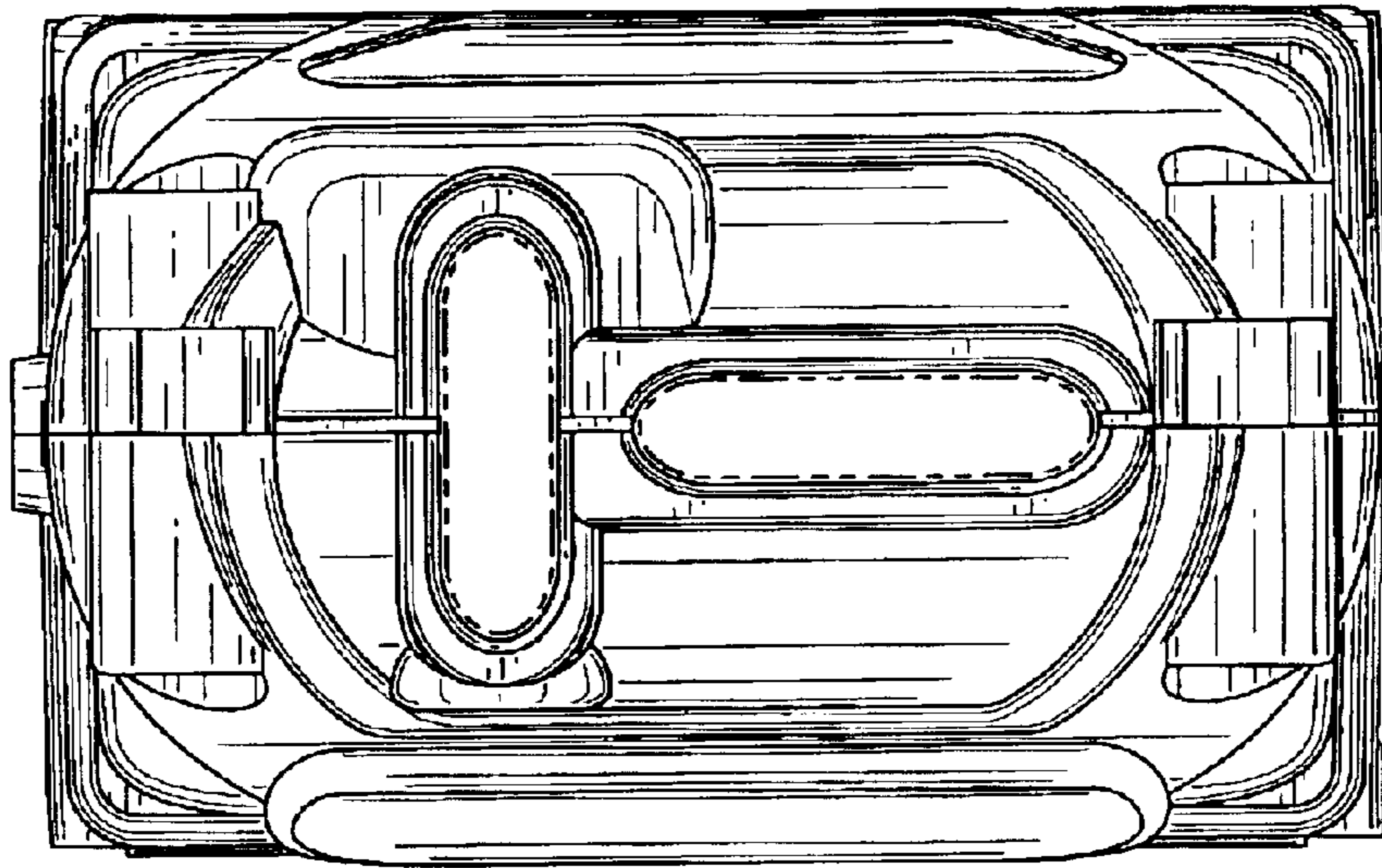


FIG. 6

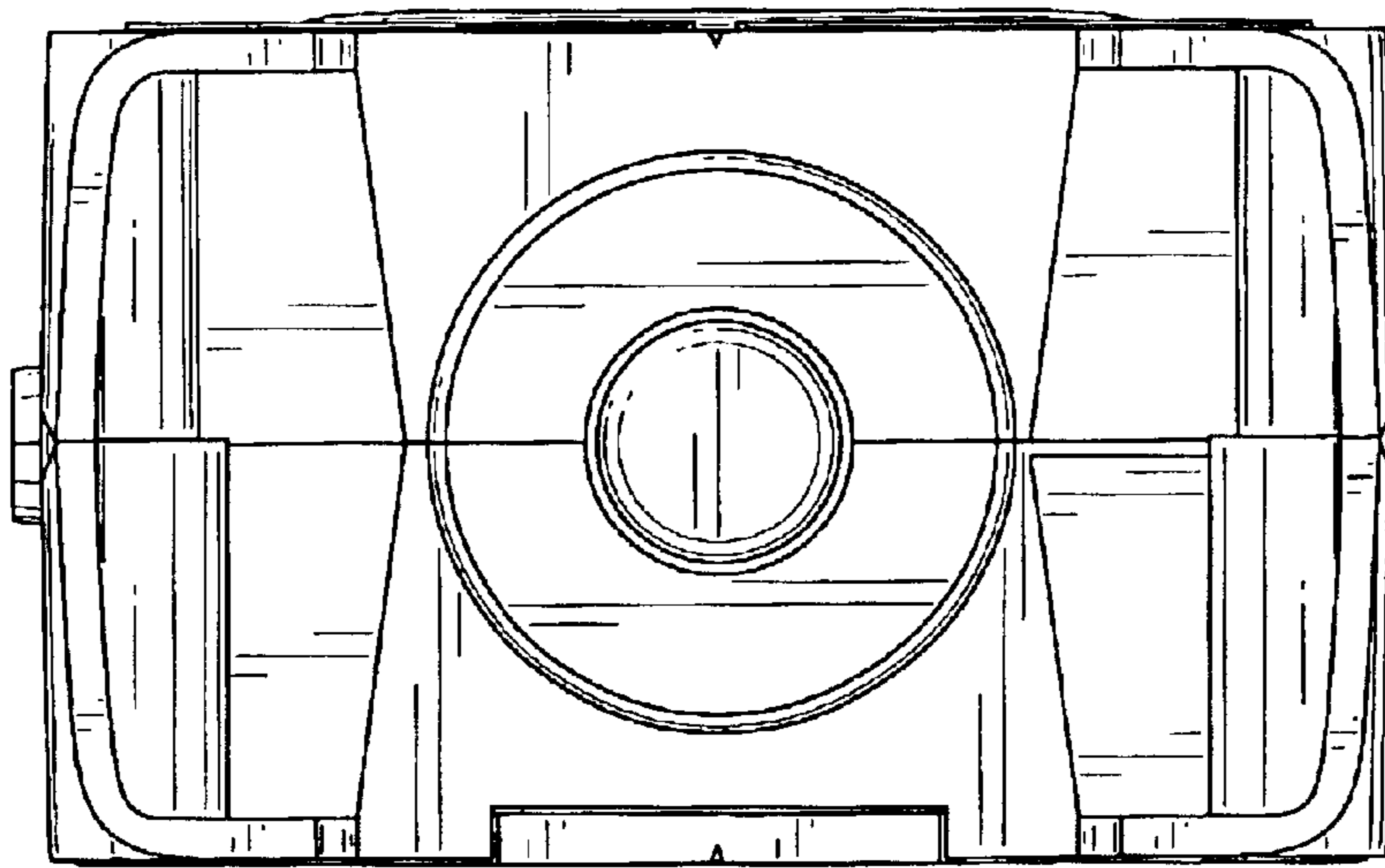


FIG. 7