



US00D491472S

(12) **United States Design Patent**
Peraldi

(10) **Patent No.:** **US D491,472 S**

(45) **Date of Patent:** **** Jun. 15, 2004**

(54) **WATCH CASE**

(75) Inventor: **Alexandre Peraldi**, Annemasse (FR)

(73) Assignee: **Richemont International S.A.**,
Villars-sur-Glane (CH)

(**) Term: **14 Years**

(21) Appl. No.: **29/183,803**

(22) Filed: **Jun. 18, 2003**

(30) **Foreign Application Priority Data**

Dec. 19, 2002 (WO) DMA/063 508

(51) **LOC (7) Cl.** **10-02**

(52) **U.S. Cl.** **D10/30**

(58) **Field of Search** D10/1-40, 122-132;
368/280-282, 276-277, 285, 290-295

(56) **References Cited**

U.S. PATENT DOCUMENTS

- D77,296 S * 12/1928 Conant D10/38
- D151,301 S * 10/1948 Tuffo D10/38
- D251,056 S * 2/1979 Perrin D10/39

- D252,855 S * 9/1979 Perrin D10/39
- D268,737 S * 4/1983 Perrin D10/39
- D381,588 S * 7/1997 Weston D10/32
- D434,679 S * 12/2000 Dumas D10/39
- D465,163 S * 11/2002 Bodino D10/32
- D474,700 S * 5/2003 Court D10/39
- D475,638 S * 6/2003 Modolo D10/39

* cited by examiner

Primary Examiner—Nelson C. Holtje

(74) *Attorney, Agent, or Firm*—Young & Thompson

(57) **CLAIM**

The ornamental design for a watch case, as shown and described.

DESCRIPTION

- FIG. 1 is a perspective view of the watch case.
- FIG. 2 is a bottom view of the watch case.
- FIG. 3 is a top view of the watch case.
- FIG. 4 is a side view from the top of FIG. 3.
- FIG. 5 is a side view from the bottom of FIG. 3.
- FIG. 6 is a side view from the right of FIG. 3; and,
- FIG. 7 is a side view from the left of FIG. 3.

1 Claim, 1 Drawing Sheet

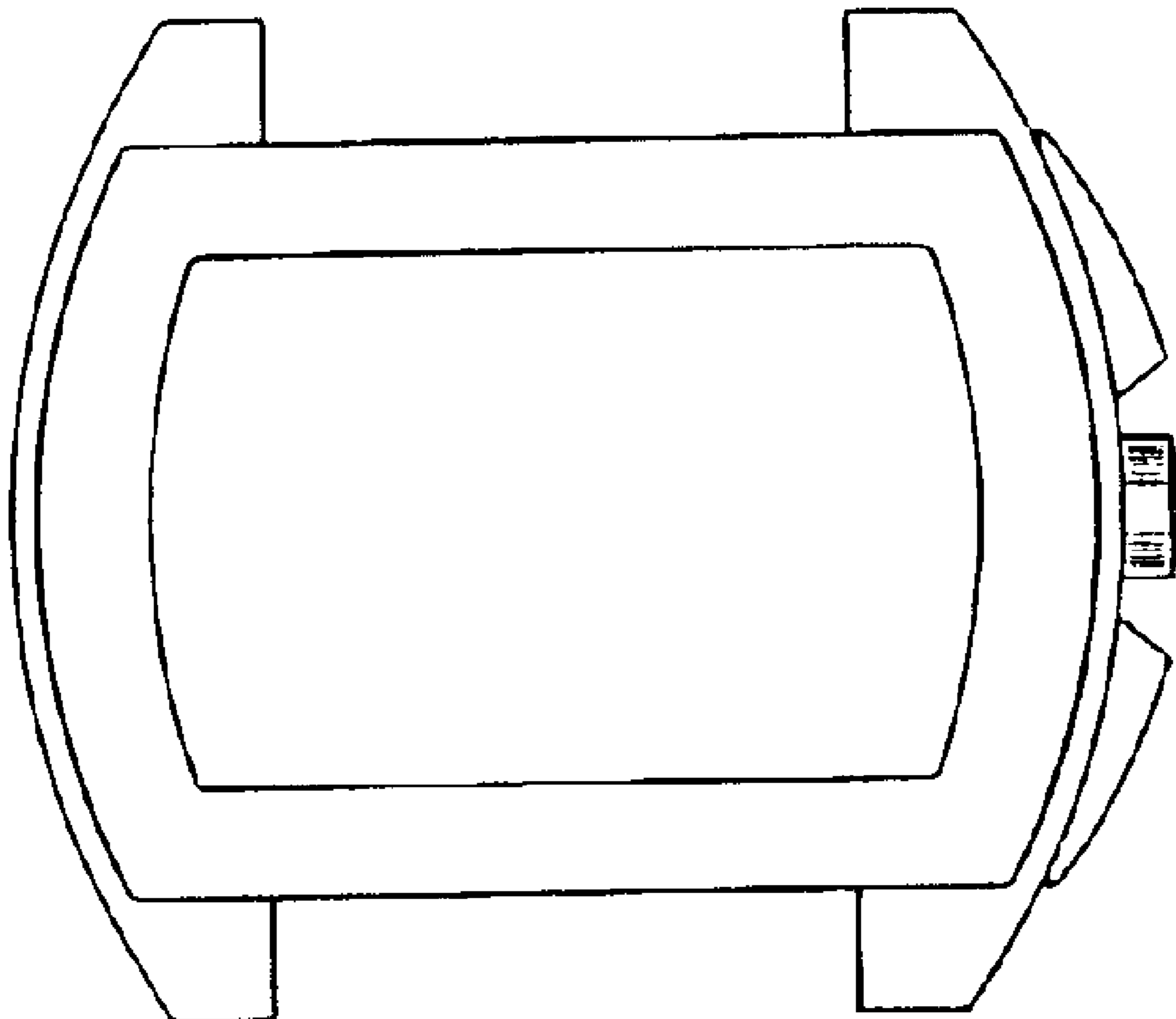


fig. 1

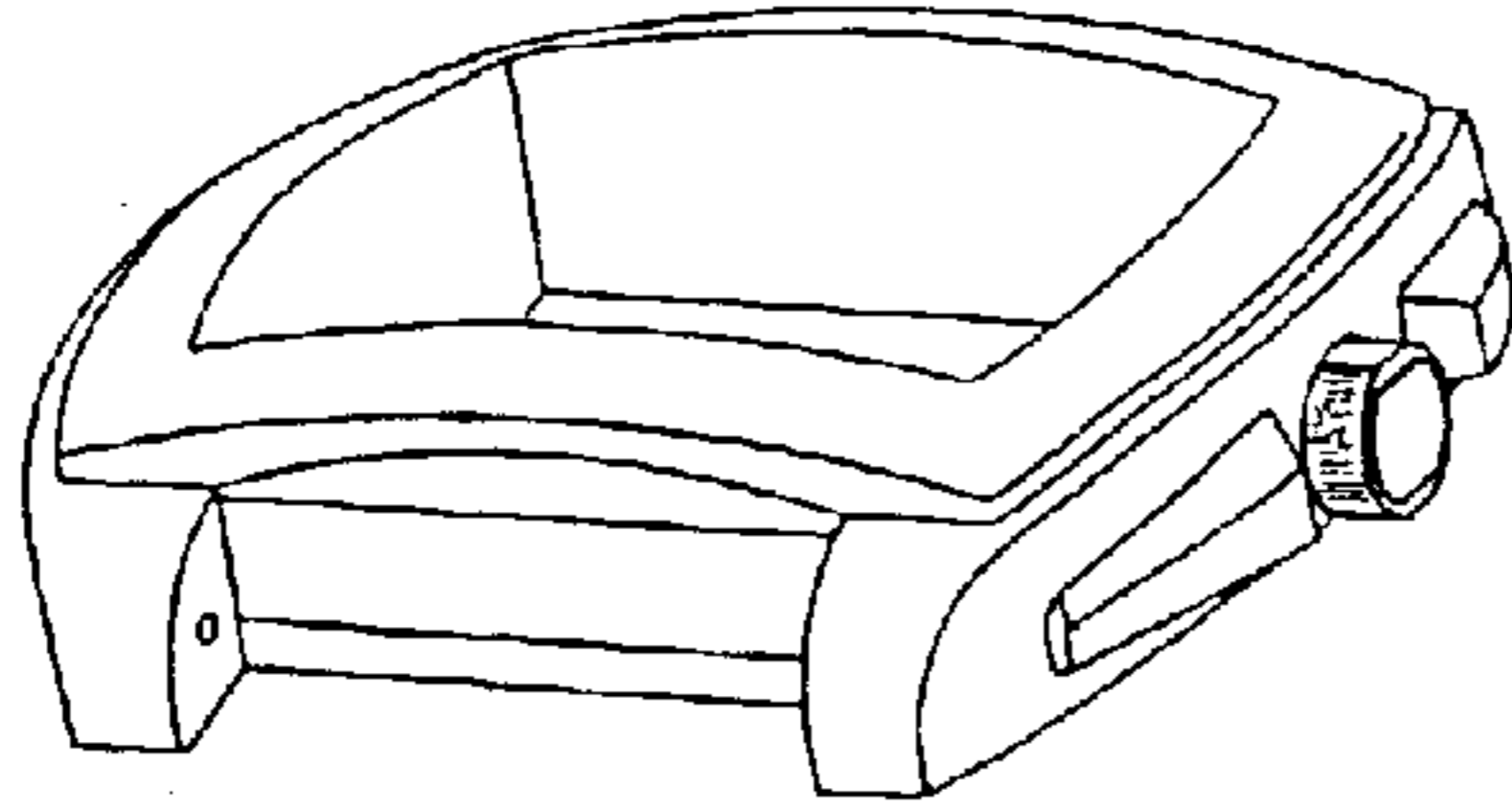


fig. 2

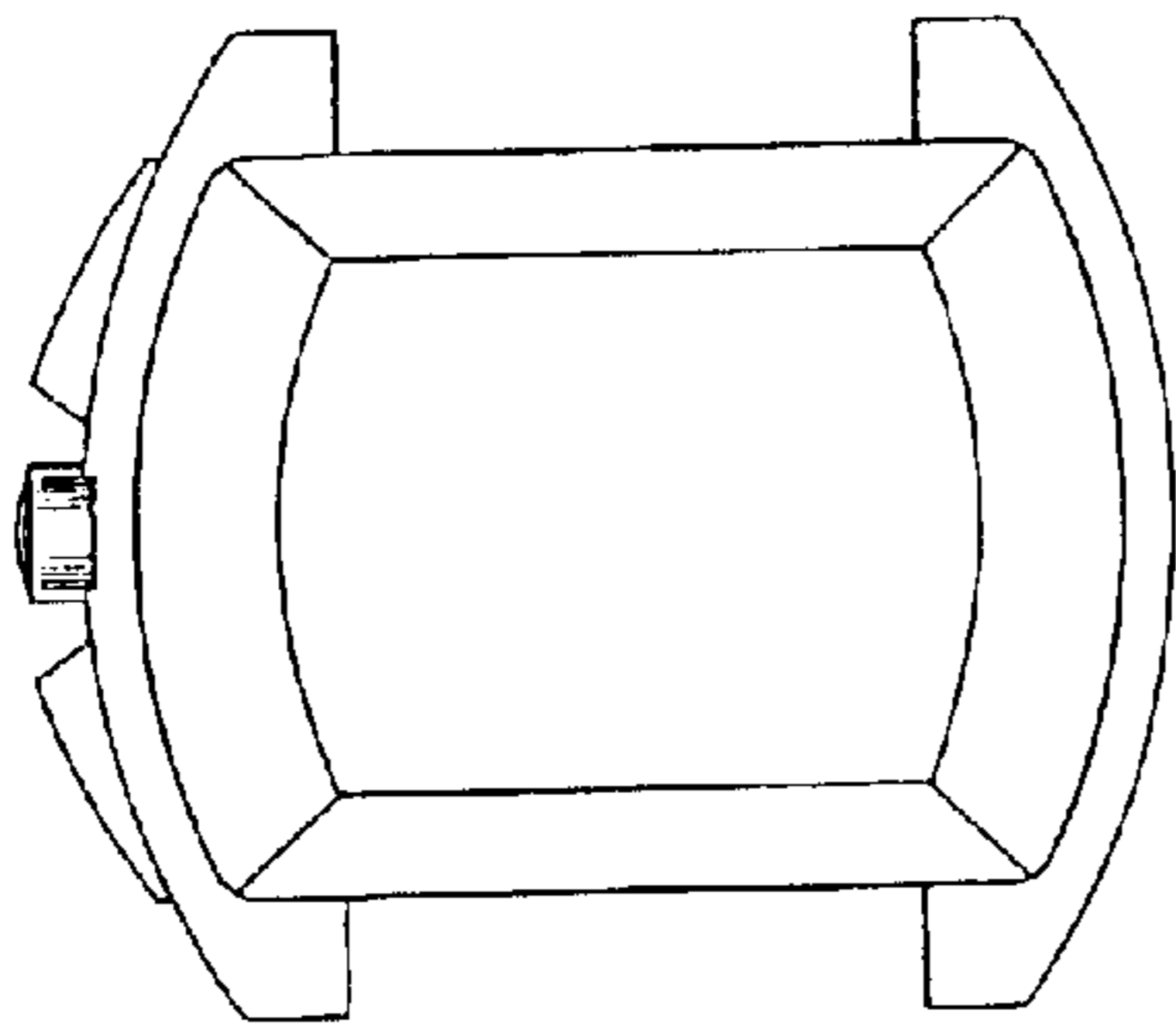


fig. 3

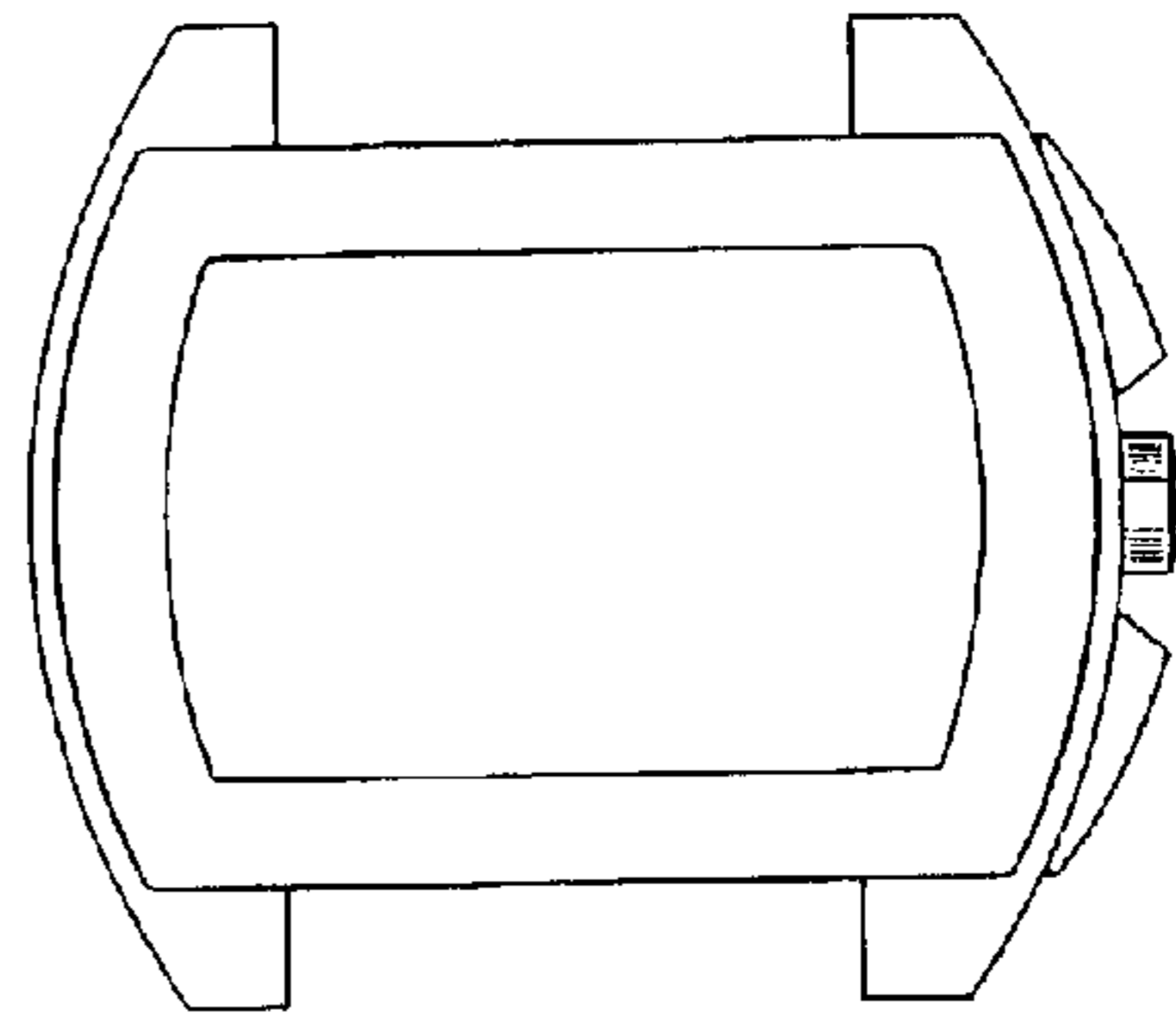


fig. 4

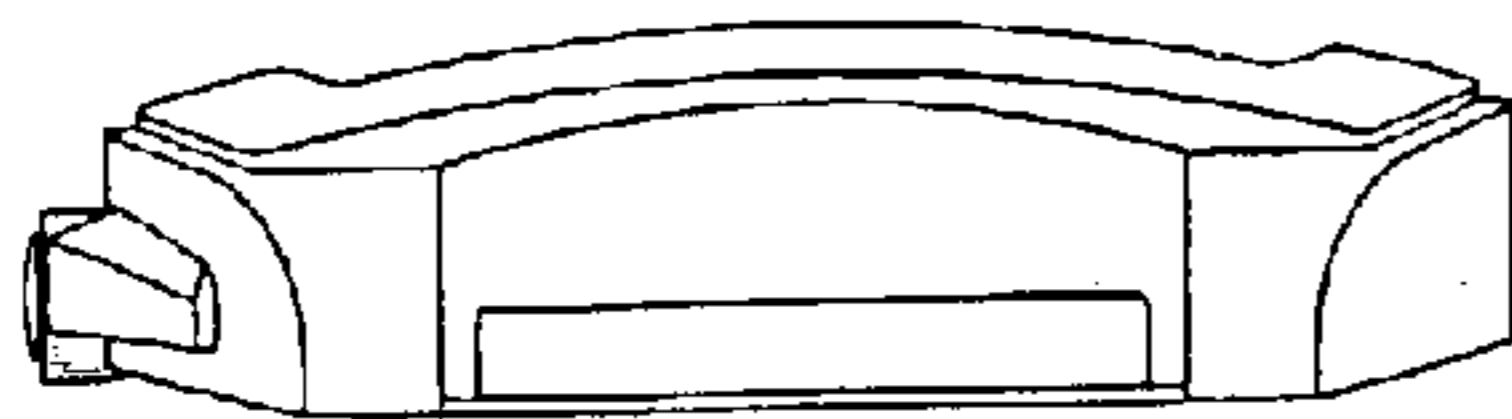


fig. 5

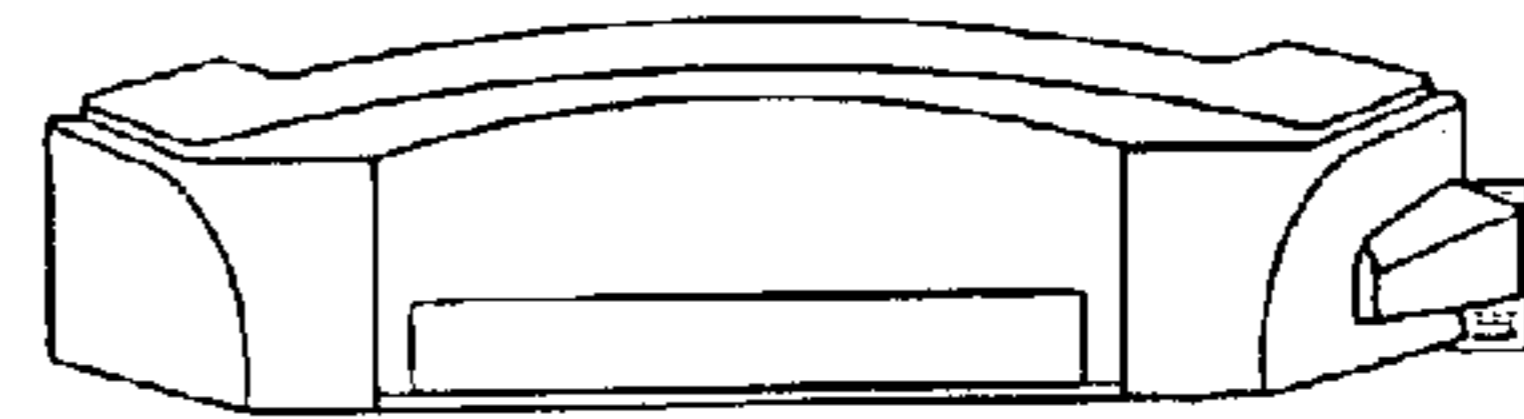


fig. 6

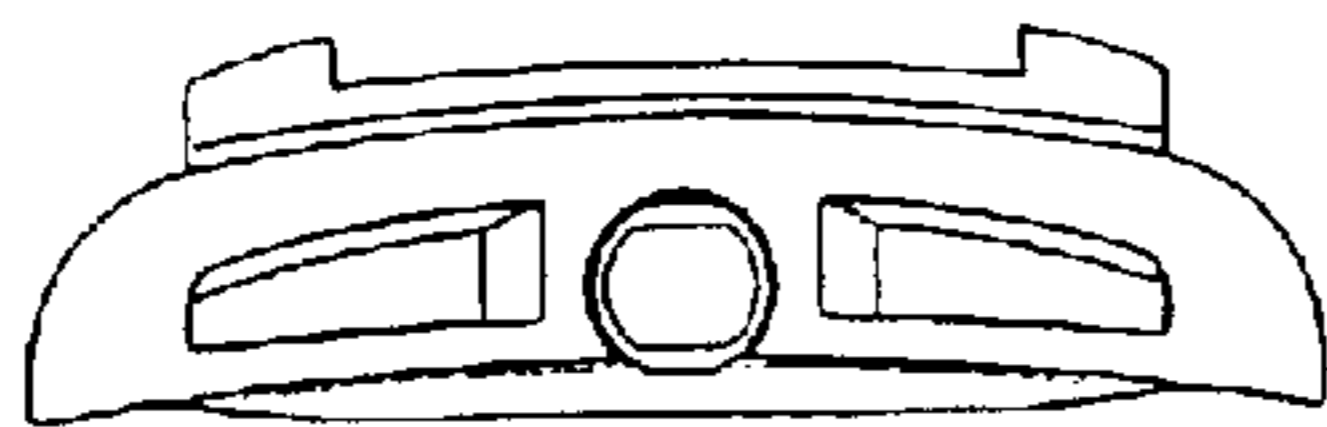


fig. 7

