



US00D491466S

(12) **United States Design Patent**  
**Man**

(10) **Patent No.:** **US D491,466 S**

(45) **Date of Patent:** **\*\* Jun. 15, 2004**

(54) **PAIR OF HANDLES FOR GIFT BAG**

(76) **Inventor:** **Simon Li Man**, 3/F, Koon Wah Mirror  
Factory (III) Building, 5-9 Ka Hing  
Road, Kwai Chung, New Territories  
(HK)

(\*\*) **Term:** **14 Years**

(21) **Appl. No.:** **29/192,350**

(22) **Filed:** **Oct. 22, 2003**

(51) **LOC (7) Cl.** ..... **09-07**

(52) **U.S. Cl.** ..... **D9/434; D3/246**

(58) **Field of Search** ..... D9/455, 484, 499;  
D8/300, 307; D3/246; 294/137, 170, 171,  
15, 25, 27.1

(56) **References Cited**

**U.S. PATENT DOCUMENTS**

D107,505 S	*	12/1937	Fellman	.....	D3/246
D262,668 S	*	1/1982	Robitaille	.....	D9/434
D403,151 S	*	12/1998	Heredos-Formby	.....	D3/246
D404,203 S	*	1/1999	Maier-Aichen	.....	D3/246

\* cited by examiner

*Primary Examiner*—Louis S. Zarfaz

*Assistant Examiner*—Gregory A Andoll

(74) *Attorney, Agent, or Firm*—Raymond Y. Chan; David  
and Raymond Patent Group

(57) **CLAIM**

The ornamental design for a pair of handles for gift bag, as  
shown and described.

**DESCRIPTION**

FIG. 1 is a perspective view showing my new design of the  
pair of handles for gift bag in which the phantom lines  
illustrate a gift bag that the handles attach and are not a part  
of my new design.

FIG. 2 is a front view thereof.

FIG. 3 is rear view thereof.

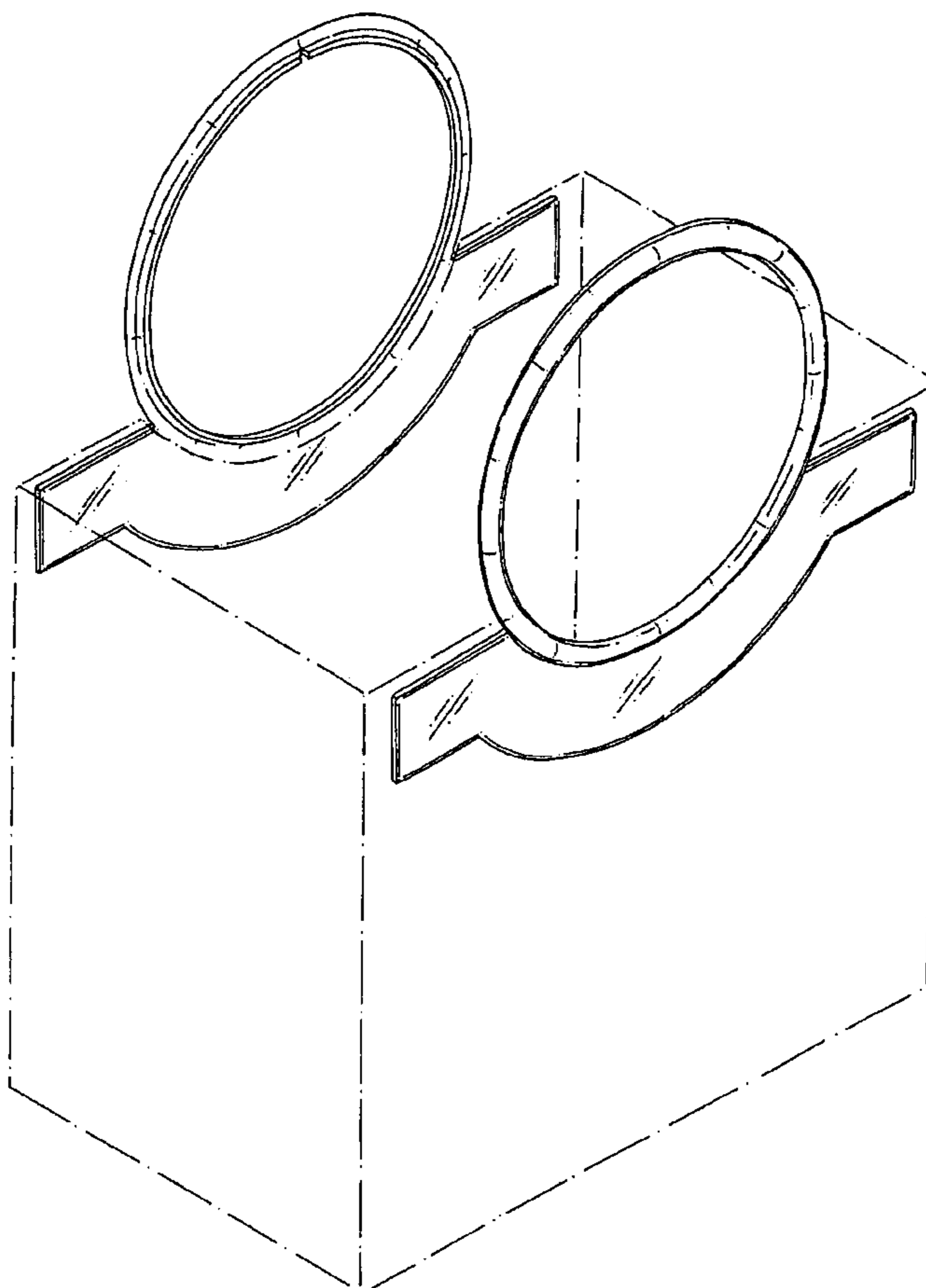
FIG. 4 is a left end view thereof.

FIG. 5 is a right end view thereof.

FIG. 6 is a top view thereof; and,

FIG. 7 is a bottom view thereof.

**1 Claim, 7 Drawing Sheets**



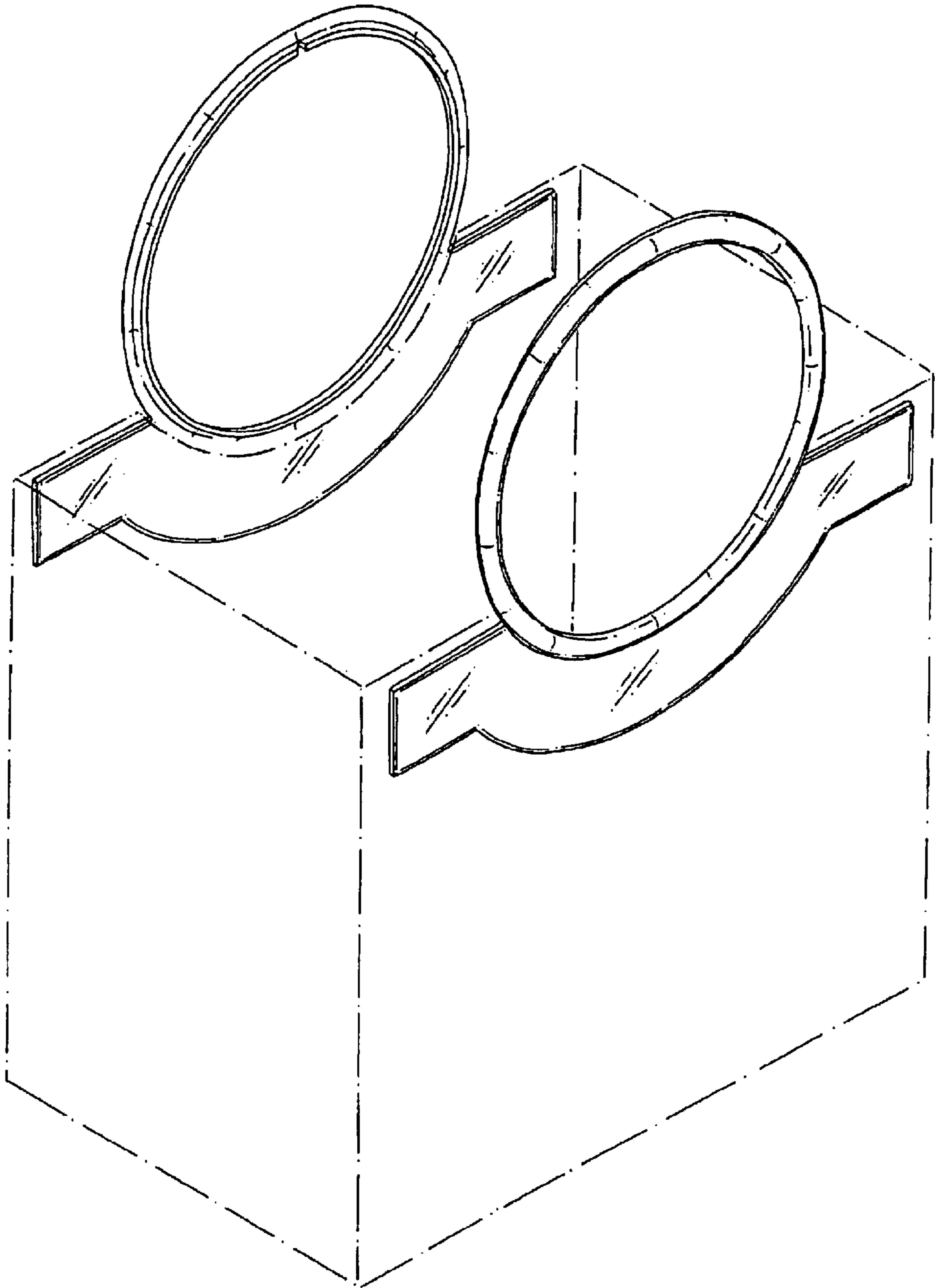


FIG. 1

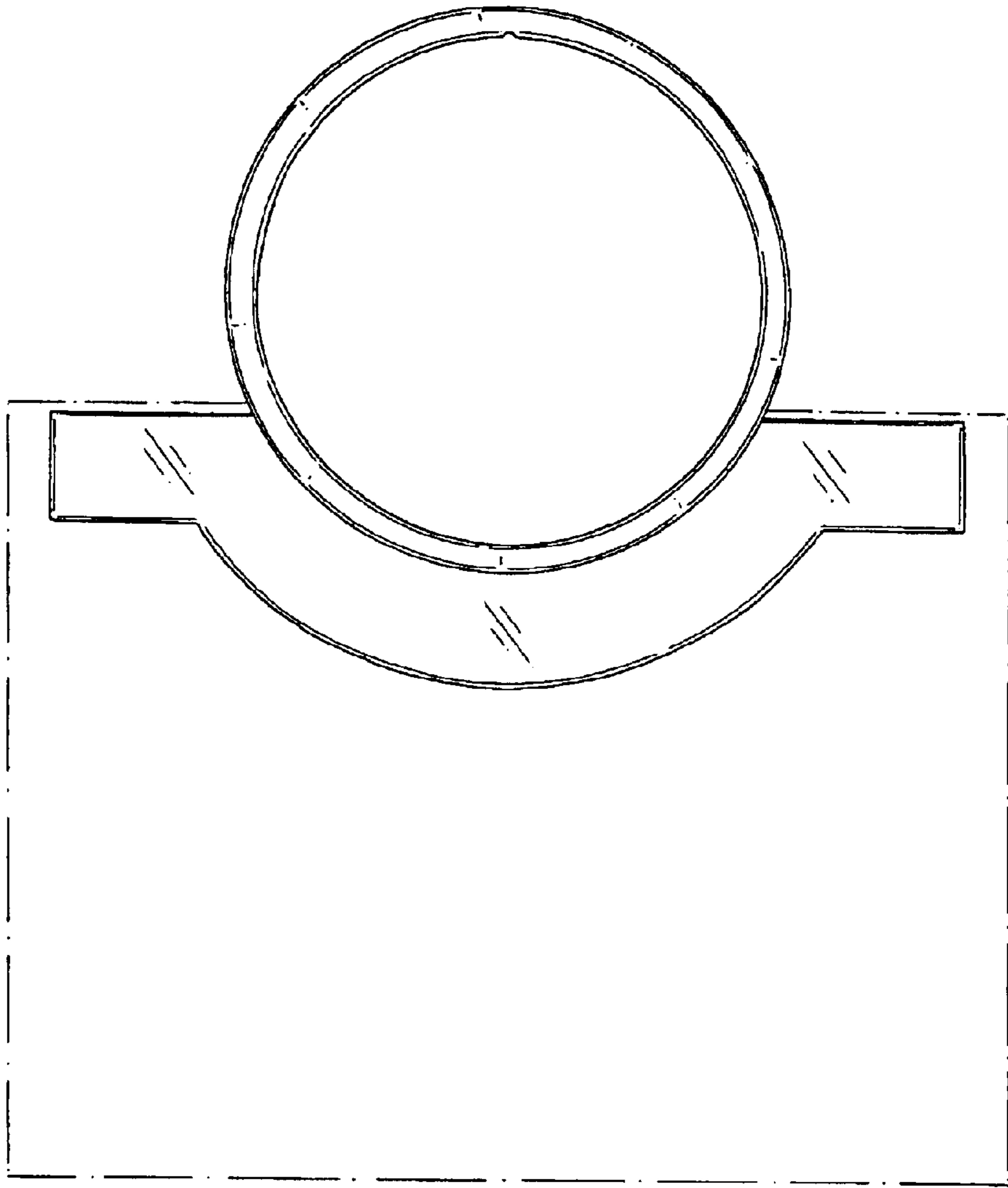


FIG. 2

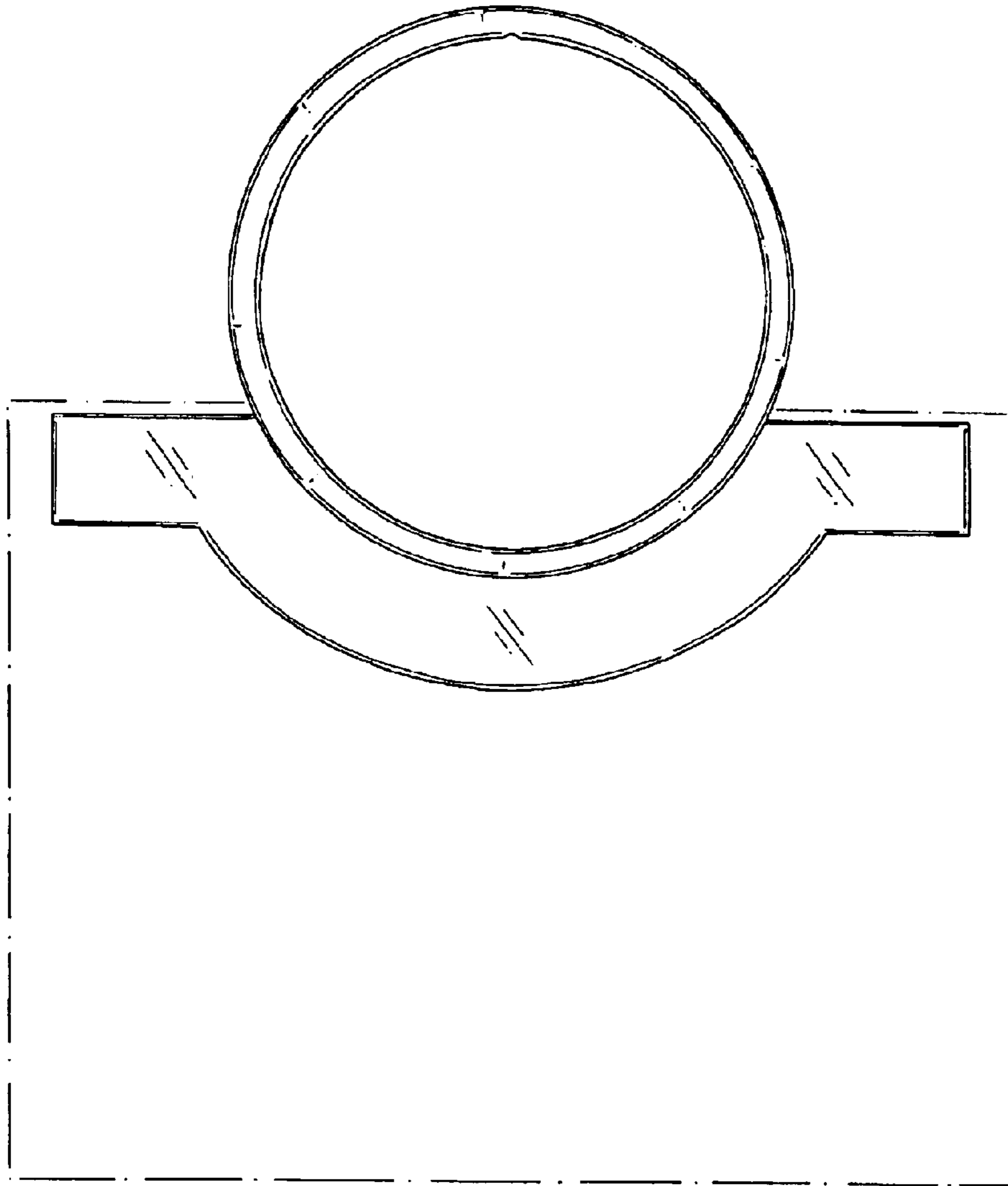


FIG. 3

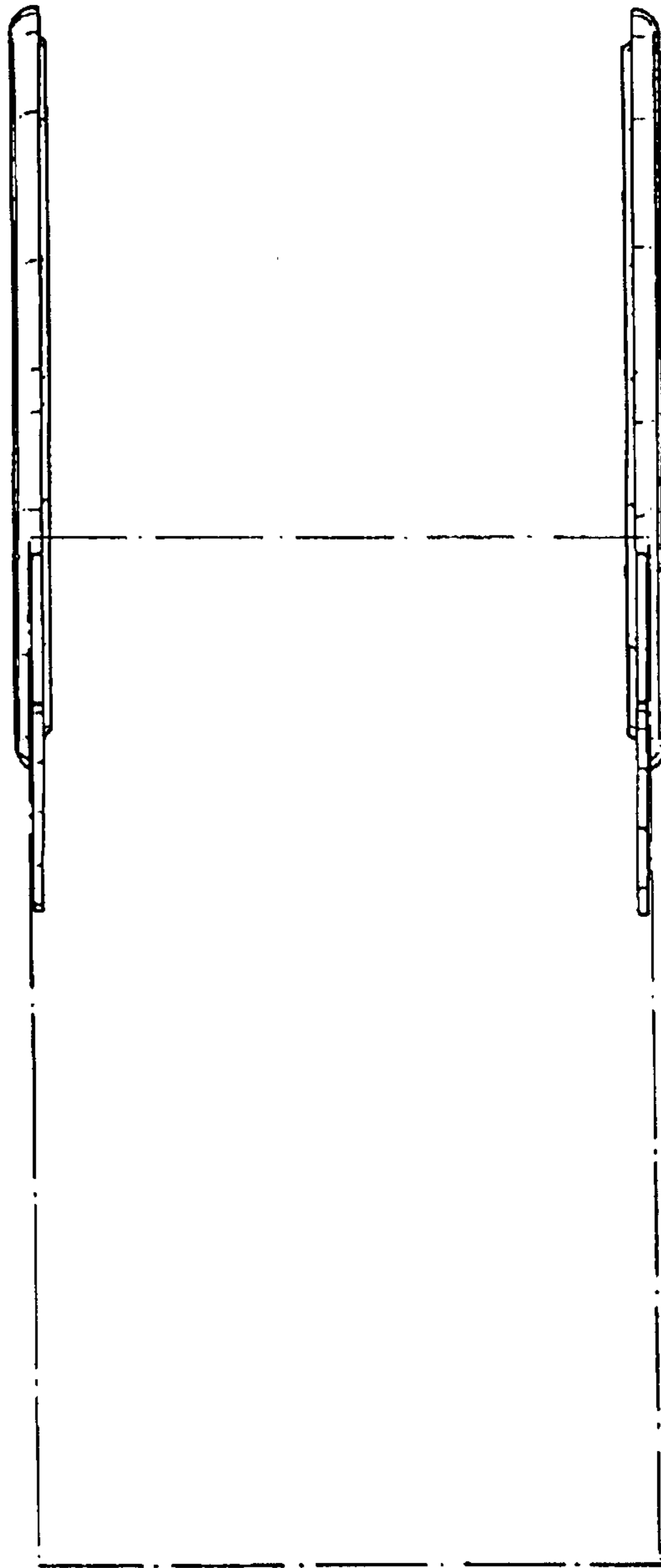


FIG. 4

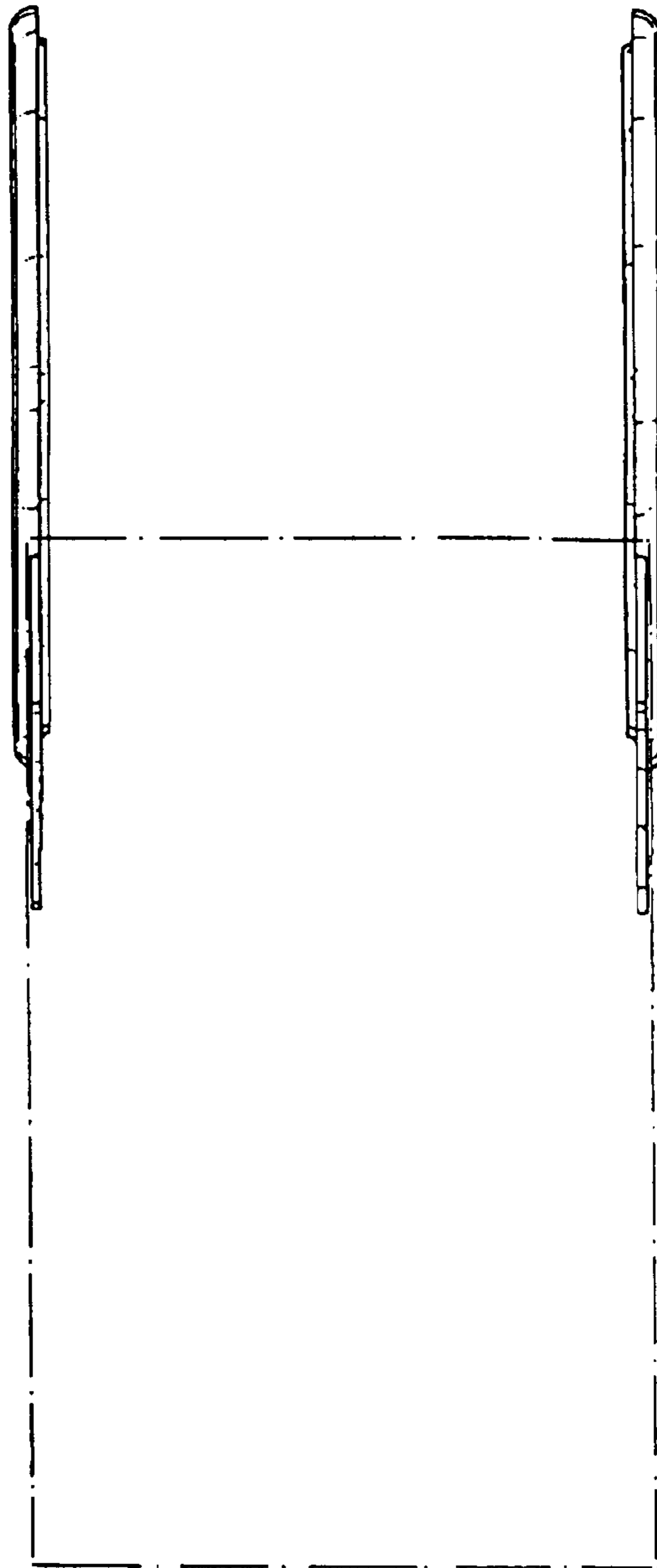


FIG. 5

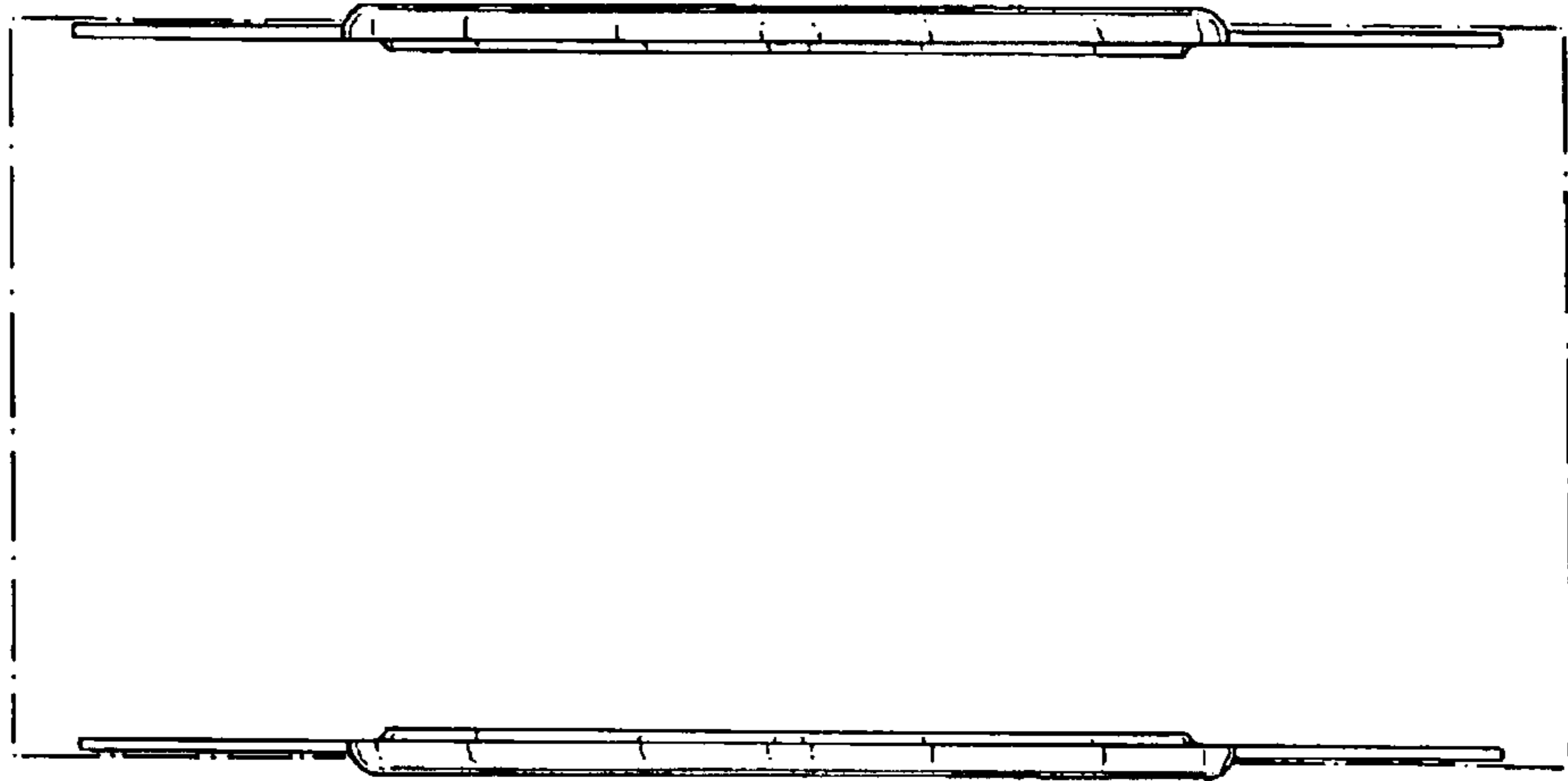


FIG. 6

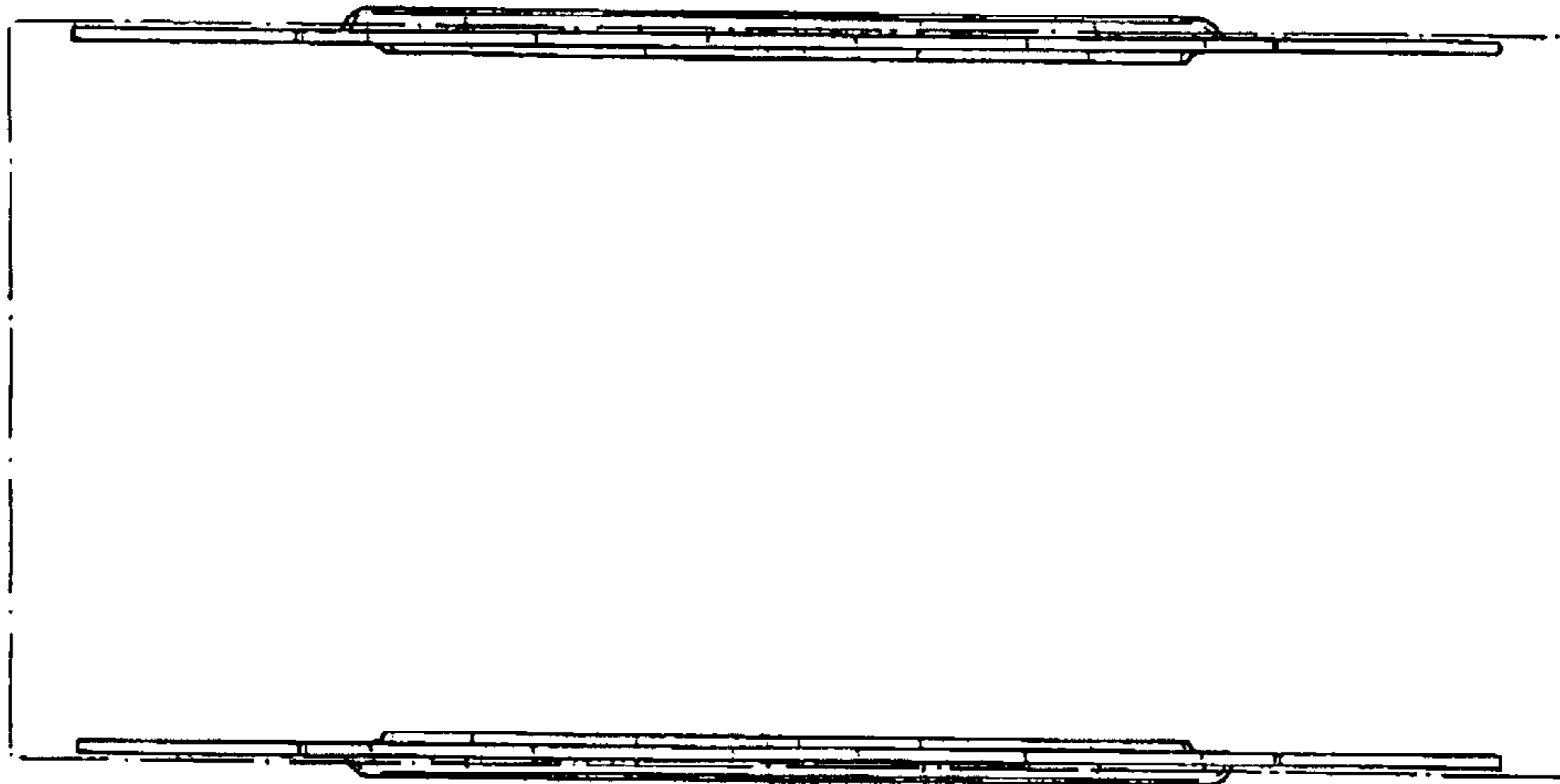


FIG. 7