



US00D491465S

(12) **United States Design Patent**
Kelleghan

(10) **Patent No.:** **US D491,465 S**

(45) **Date of Patent:** **** Jun. 15, 2004**

(54) **TABBED BOTTLE HOLDER**

(75) **Inventor:** **Brian James Kelleghan**, Longmont, CO (US)

(73) **Assignee:** **Bison Designs, L.L.C.**, Longmont, CO (US)

(**) **Term:** **14 Years**

(21) **Appl. No.:** **29/173,797**

(22) **Filed:** **Jan. 7, 2003**

(51) **LOC (7) Cl.** **09-07**

(52) **U.S. Cl.** **D9/434; D4/455; D4/499; D3/229**

(58) **Field of Search** D9/434, 455, 499, D9/501, 517; D11/221; D7/619, 620; D8/394, 395, 396; D3/229, 215; 215/395; 224/148.5, 257; 24/3.6, 3.7; 294/31.2, 137

(56) **References Cited**

U.S. PATENT DOCUMENTS

D200,957 S	*	4/1965	Warren et al.	D11/221
D347,734 S	*	6/1994	Patterson et al.	D3/229
5,806,904 A	*	9/1998	Smith	294/31.2
5,890,635 A	*	4/1999	Wu et al.	224/148.4
D431,466 S	*	10/2000	Wang	D9/434

OTHER PUBLICATIONS

From the World Wide Web www.bisondesigns.com/aluminum/carabiners/hydro c. 1998 Hydro Clip.*

* cited by examiner

Primary Examiner—Louis S. Zarfaz
Assistant Examiner—Gregory Andoll

(74) *Attorney, Agent, or Firm*—Margaret Polson; Patent Law Offices of Rick Martin, P.C.

(57) **CLAIM**

The ornamental design for a tabbed bottle holder, as shown and described.

DESCRIPTION

FIG. 1 is a plan view of the top and bottom sides, which are identical, of my new design for a tabbed bottle holder attached to a carabiner shown in dotted lines which is for illustrative purposes only and is not part of the claimed design;

FIG. 2 is side elevation view of the right and left sides, which are identical, of FIG. 1;

FIG. 3 is a rear side elevation view of FIG. 1;

FIG. 4 is a front side elevation view of FIG. 1;

FIG. 5 is a top perspective view of FIG. 1 with a bottle and carabiner shown in dotted lines attached, which is for illustrative purposes only and are not part of the claimed design;

FIG. 6 is a plan view of the top and bottom sides, which are identical, of an alternate embodiment of my new design for a tabbed bottle holder attached to a carabiner shown in dotted lines which is for illustrative purposes only and is not part of the claimed design;

FIG. 7 is side elevation view of the right and left sides, which are identical, of FIG. 6;

FIG. 8 is a rear side elevation view of FIG. 6;

FIG. 9 is a front side elevation view of FIG. 6; and,

FIG. 10 is a top perspective view of FIG. 6 with a bottle and carabiner shown in dotted lines attached, which is for illustrative purposes only and are not part of the claimed design.

1 Claim, 2 Drawing Sheets

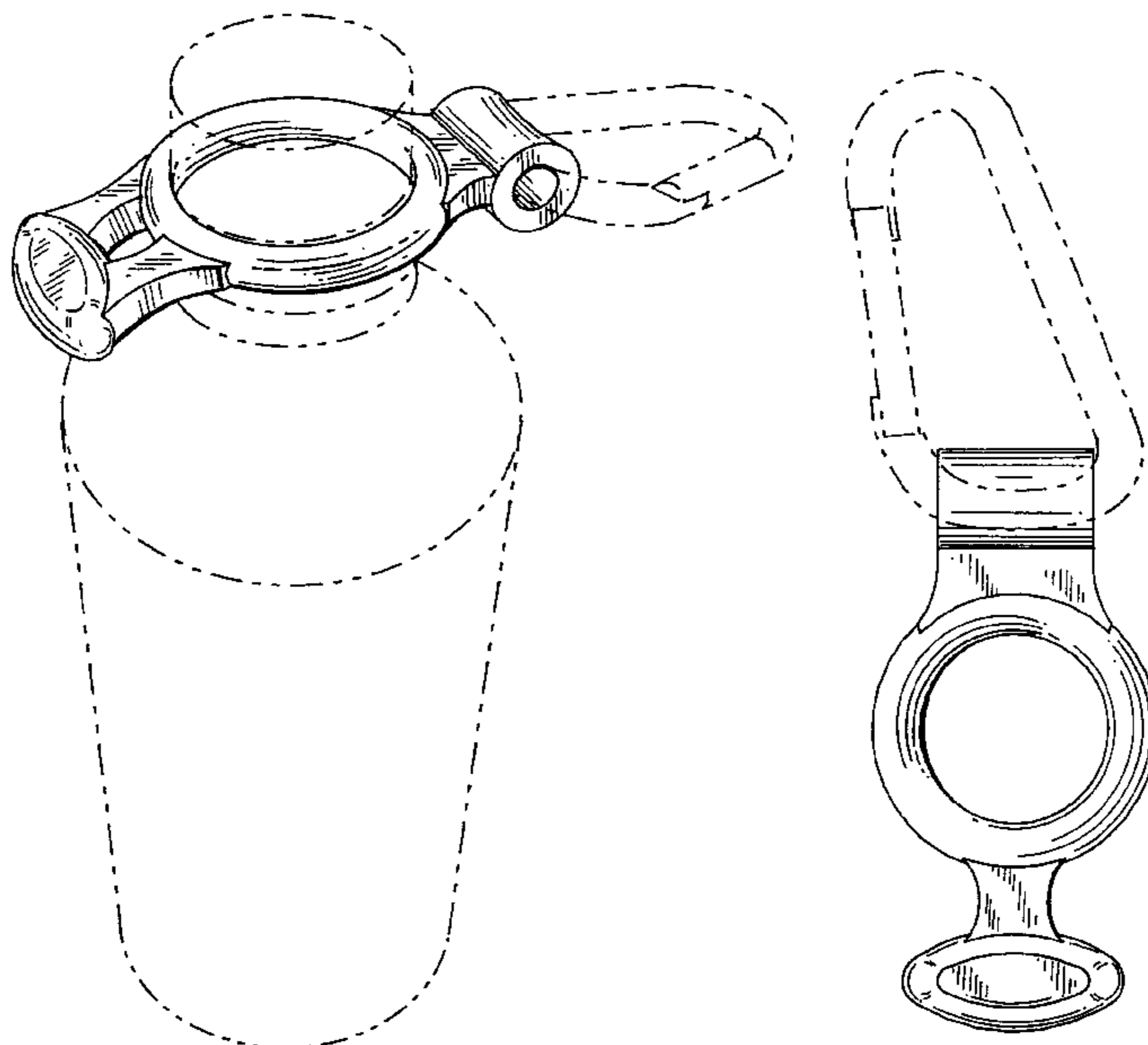




FIG. 3

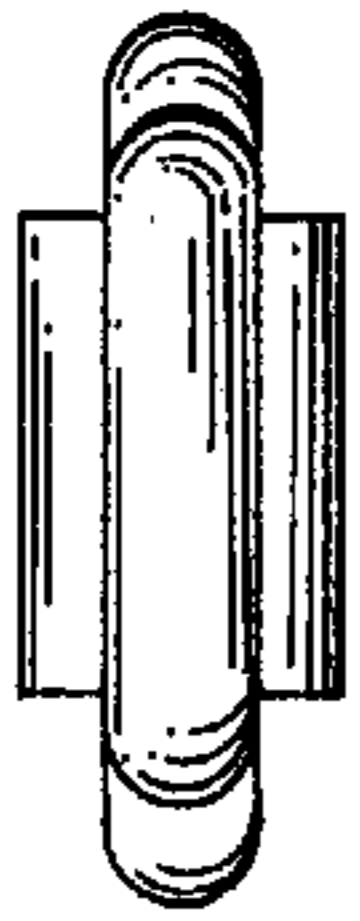


FIG. 4

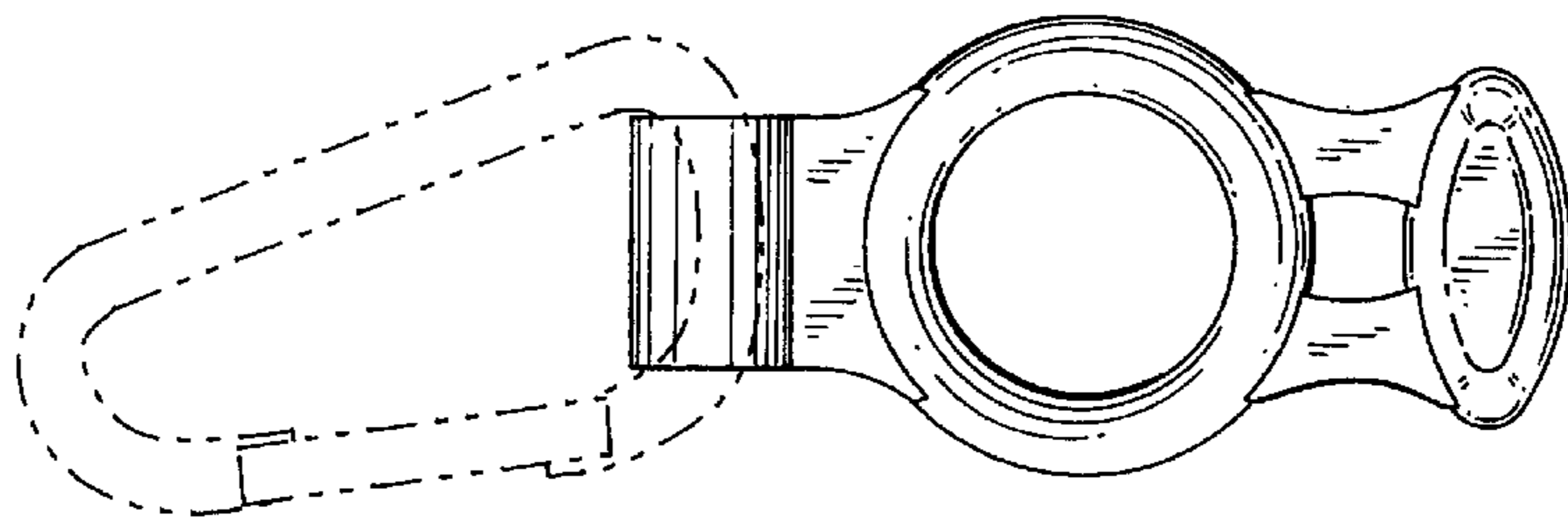


FIG. 1

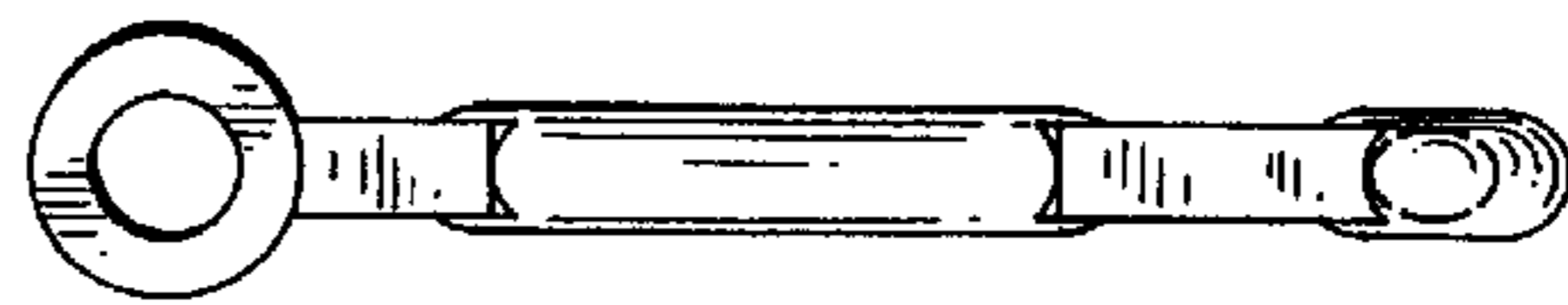


FIG. 2

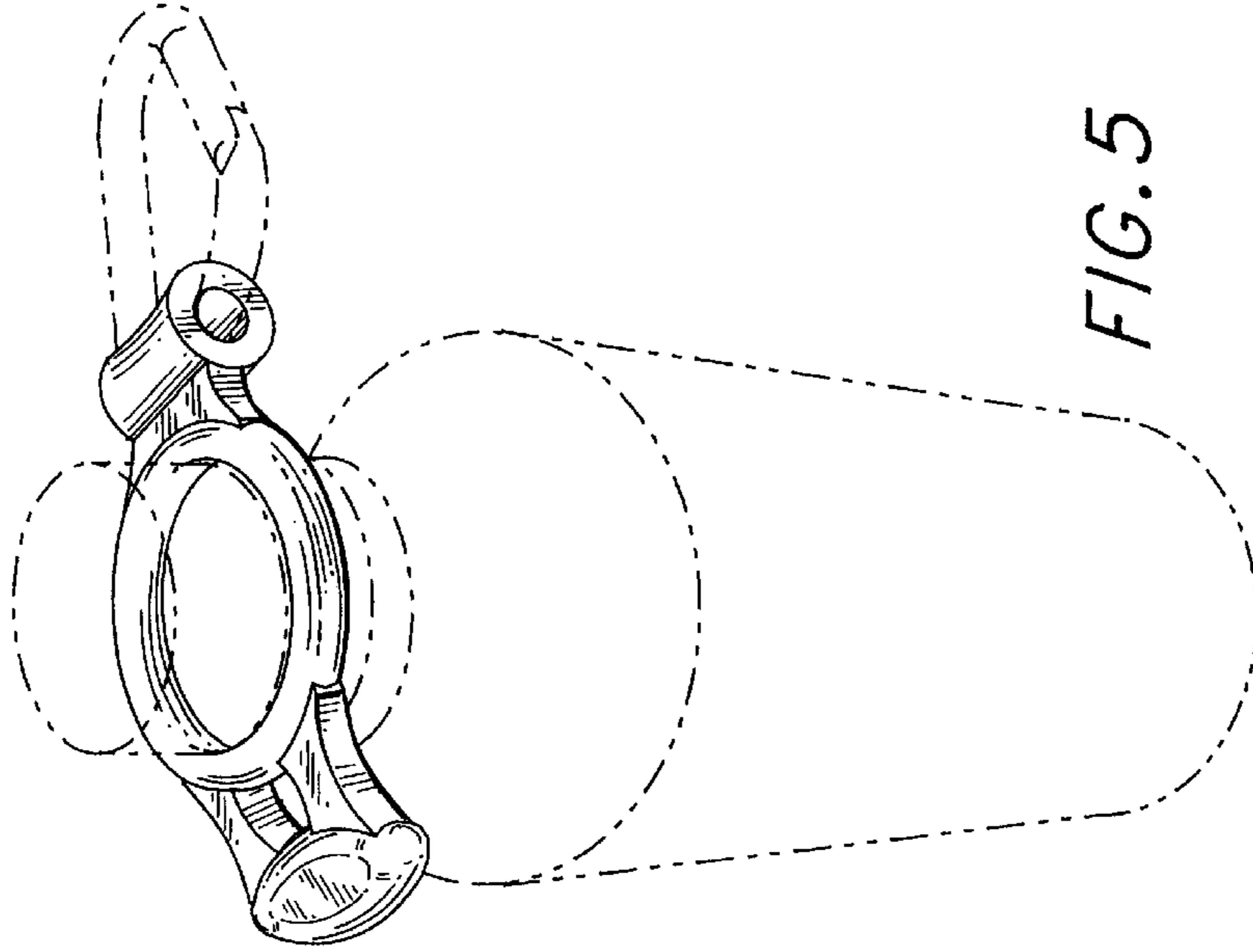


FIG. 5

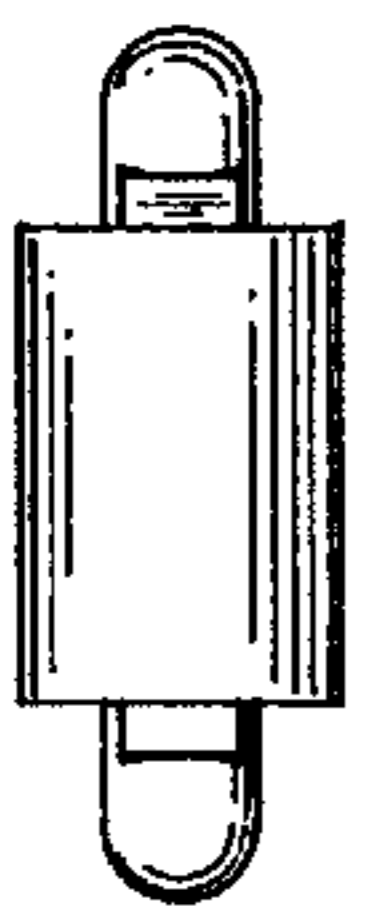


FIG. 8



FIG. 9

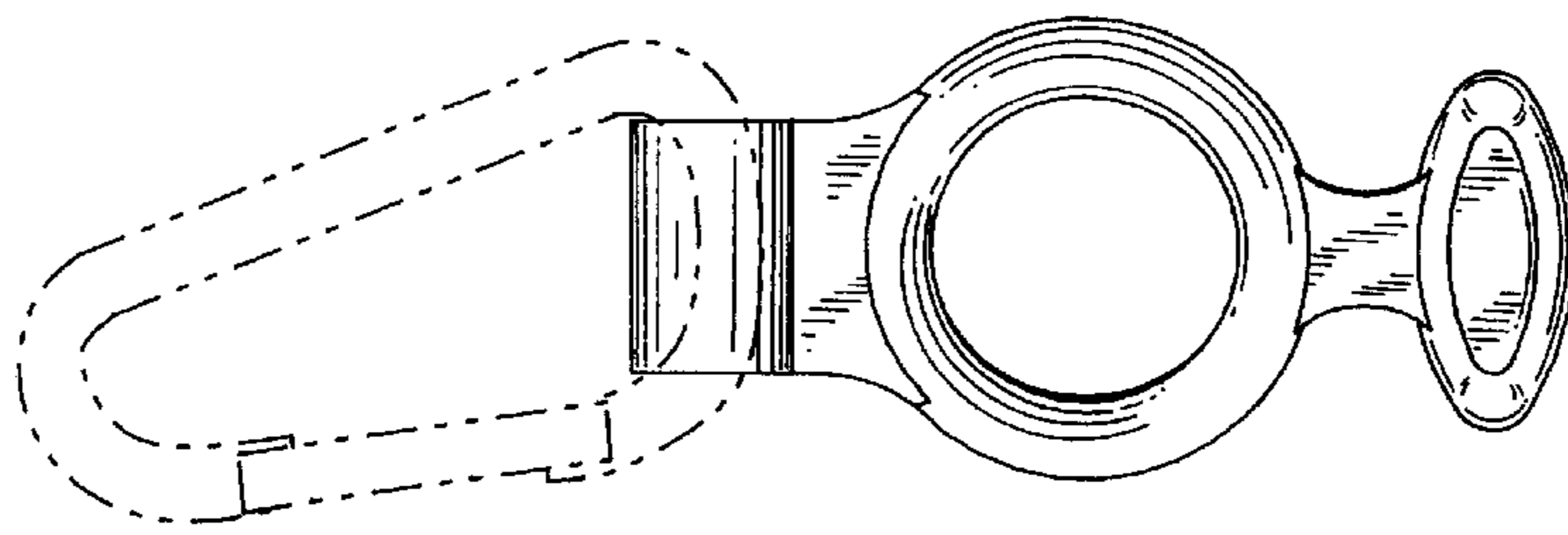


FIG. 6

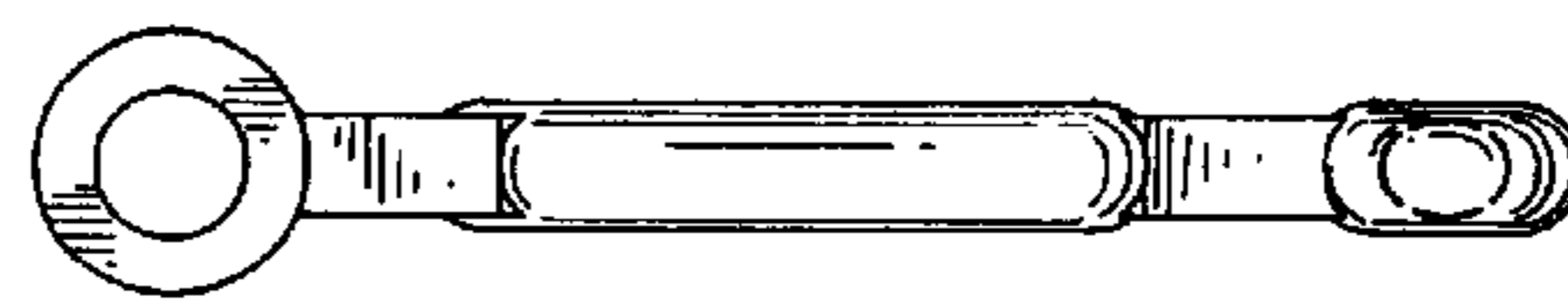


FIG. 7

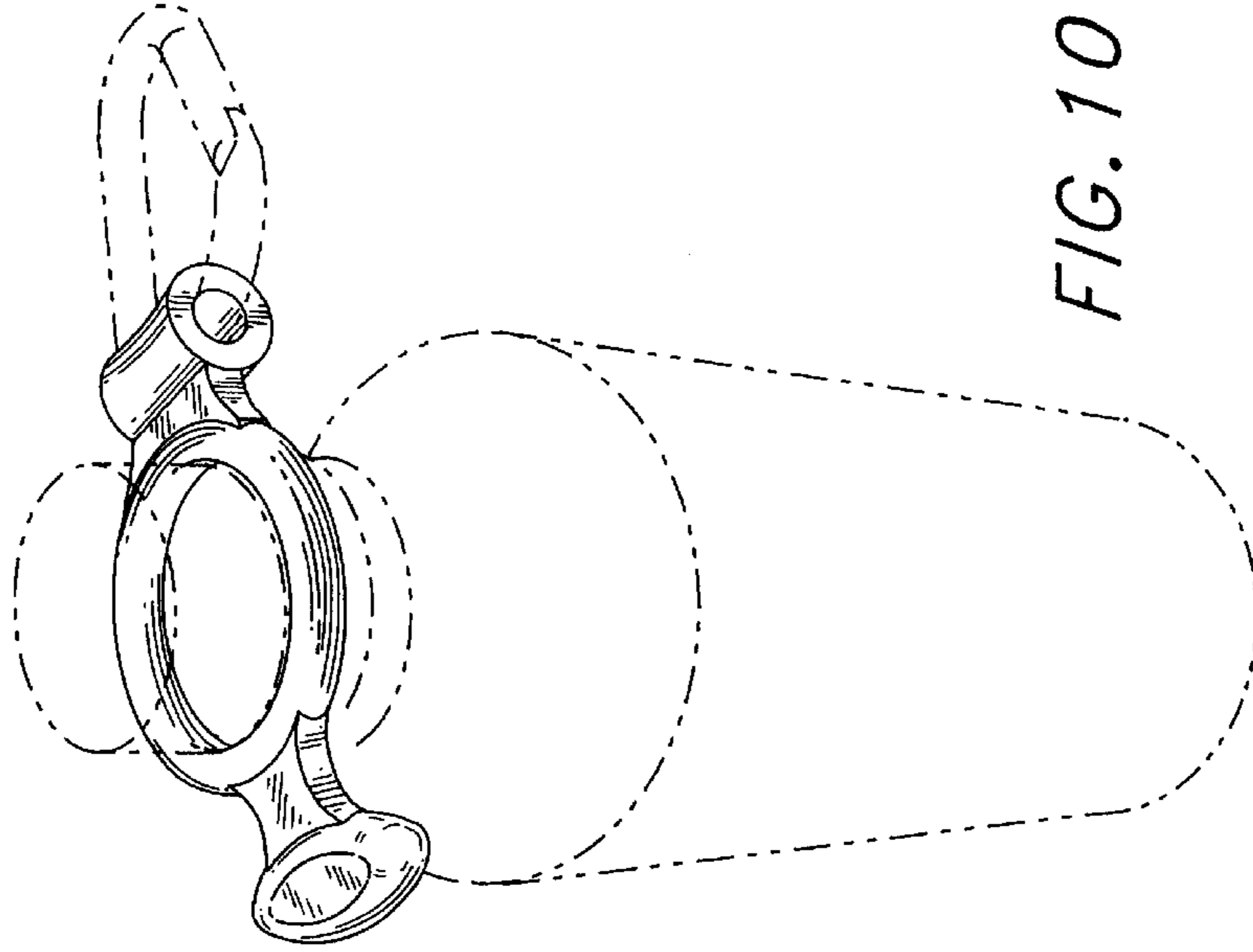


FIG. 10